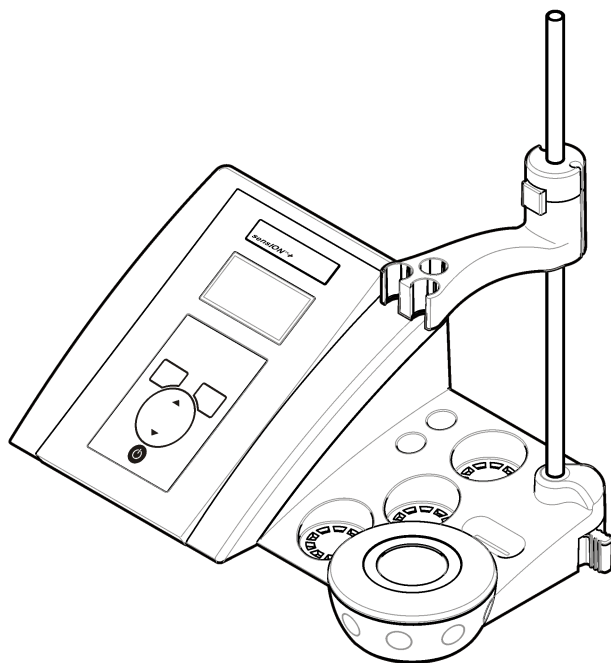




DOC022.98.90248

senSIOn™ + pH3

12/2015, Edition 4



User Manual
Bedienungsanleitung
Manuale dell'utente
Manuel d'utilisation
Manual del usuario
Manual do utilizador
Užívateľská príručka
Brugsanvisning
Gebbruikershandleiding
Instrukcja obsługi
Bruksanvisning
Käyttäjän käsikirja
Ръководство на потребителя
Használati útmutató
Manual de utilizare
Naudotojo vadovas
Руководство пользователя
Kullanım Kılavuzu
Návod na obsluhu
Navodila za uporabo
Korisnički priručnik
Εγχειρίδιο χρήσης
Kasutusjuhend

| | |
|----------------------|-----|
| English..... | 3 |
| Deutsch..... | 15 |
| Italiano..... | 27 |
| Français..... | 39 |
| Español..... | 51 |
| Português..... | 63 |
| Čeština..... | 75 |
| Dansk..... | 87 |
| Nederlands..... | 99 |
| Polski..... | 111 |
| Svenska..... | 123 |
| Suomi..... | 135 |
| български..... | 147 |
| Magyar..... | 160 |
| Română..... | 172 |
| lietuvių kalba..... | 184 |
| Русский..... | 196 |
| Türkçe..... | 208 |
| Slovenský jazyk..... | 219 |
| Slovenski..... | 231 |
| Hrvatski..... | 242 |
| Ελληνικά..... | 254 |
| eesti keel..... | 267 |

Specifications

Specifications are subject to change without notice.

| Specification | Details |
|-------------------------------|--|
| Dimensions | 35 x 20 x 11 cm (13.78 x 7.87 x 4.33 in.) |
| Weight | 1100 g (2.43 lb) |
| Meter enclosure | IP42 |
| Power requirements (external) | 100–240 V, 0.4 A, 47–63 Hz |
| Meter protection class | Class II |
| Storage temperature | –15 to +65 °C (5 to +149 °F) |
| Operating temperature | 0 to 40 °C (41 to 104 °F) |
| Operating humidity | < 80% (non-condensing) |
| Resolution | pH: 0.01, ORP: 1 mV, temperature: 0.1 °C (0.18 °F) |
| Measuring error (± 1 digit) | pH: ≤ 0.01, ORP: ≤ 1 mV, temperature: ≤ 0.2 °C (≤ 0.36 °F) |
| Reproducibility (± 1 digit) | pH: ± 0.01, ORP: ± 1 mV, temperature: ± 0.1 °C (± 0.18 °F) |
| Connections | Combined or indicator probe: BNC connector (Imp. >10 ¹² Ω); Reference electrode: banana connector; A.T.C. type Pt 1000: banana or telephonic connector; magnetic stirrer: RCA connector |
| Temperature correction | Manual, Pt 1000 temperature probe (A.T.C.), NTC 10 kΩ probe |
| Measurement display lock | Continuous measurement, by stability |
| Display | Liquid crystal, backlit, 128 x 64 dots |

| Specification | Details |
|---------------|-------------------------------|
| Keyboard | PET with protective treatment |
| Certification | CE |

General information

Revised editions are found on the manufacturer's website.

Safety information

NOTICE

The manufacturer is not responsible for any damages due to misapplication or misuse of this product including, without limitation, direct, incidental and consequential damages, and disclaims such damages to the full extent permitted under applicable law. The user is solely responsible to identify critical application risks and install appropriate mechanisms to protect processes during a possible equipment malfunction.

Please read this entire manual before unpacking, setting up or operating this equipment. Pay attention to all danger and caution statements. Failure to do so could result in serious injury to the operator or damage to the equipment.

Make sure that the protection provided by this equipment is not impaired. Do not use or install this equipment in any manner other than that specified in this manual.

Use of hazard information

▲ DANGER

Indicates a potentially or imminently hazardous situation which, if not avoided, will result in death or serious injury.

▲ WARNING

Indicates a potentially or imminently hazardous situation which, if not avoided, could result in death or serious injury.

⚠ CAUTION



Indicates a potentially hazardous situation that may result in minor or moderate injury.

NOTICE

Indicates a situation which, if not avoided, may cause damage to the instrument. Information that requires special emphasis.

Precautionary labels

Read all labels and tags attached to the instrument. Personal injury or damage to the instrument could occur if not observed. A symbol on the instrument is referenced in the manual with a precautionary statement.

| | |
|--|---|
|  | This symbol, if noted on the instrument, references the instruction manual for operation and/or safety information. |
|  | Electrical equipment marked with this symbol may not be disposed of in European domestic or public disposal systems. Return old or end-of-life equipment to the manufacturer for disposal at no charge to the user. |

Product overview

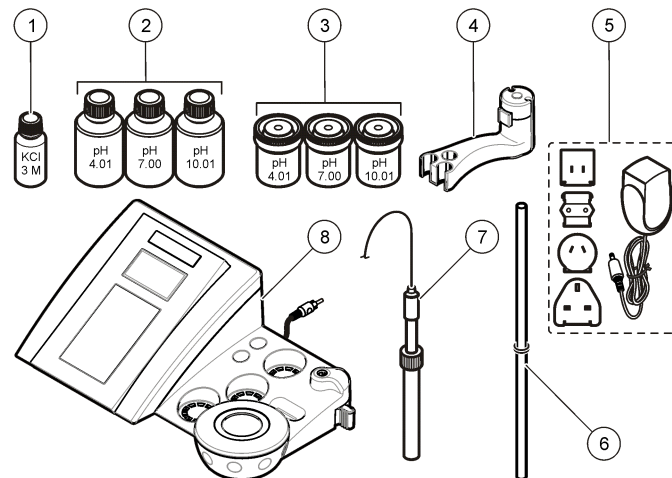
The sensION™+ meters are used with probes to measure various parameters in water.

The sensION™+ PH3 meter measures pH, ORP (mV) or temperature.

Product components

Refer to [Figure 1](#) to make sure that all components have been received. If any items are missing or damaged, contact the manufacturer or a sales representative immediately.

Figure 1 Meter components

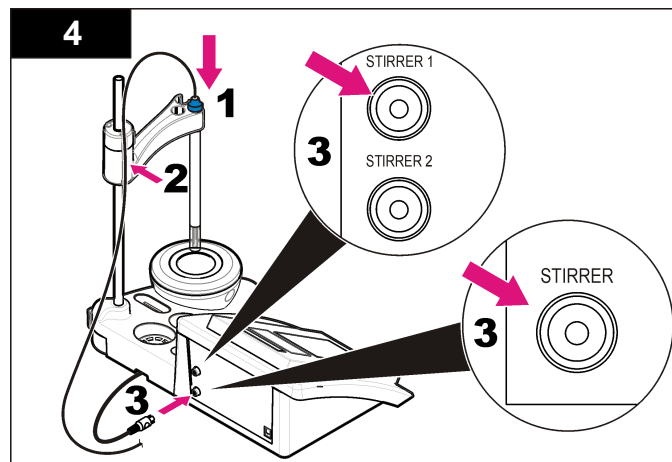
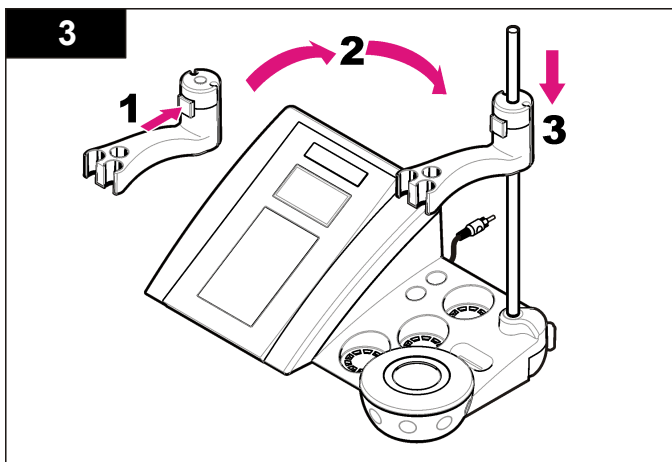
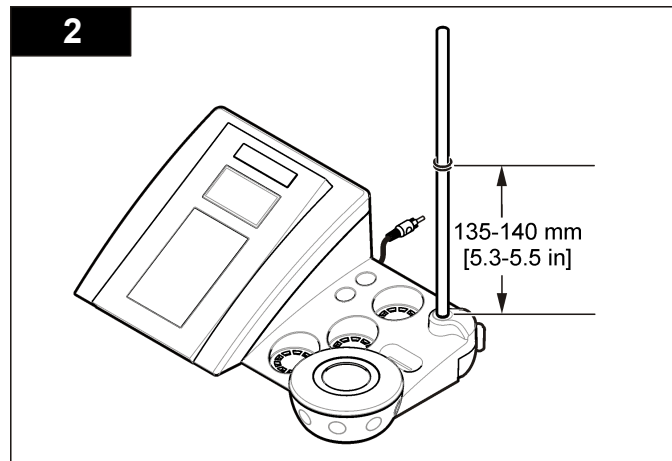
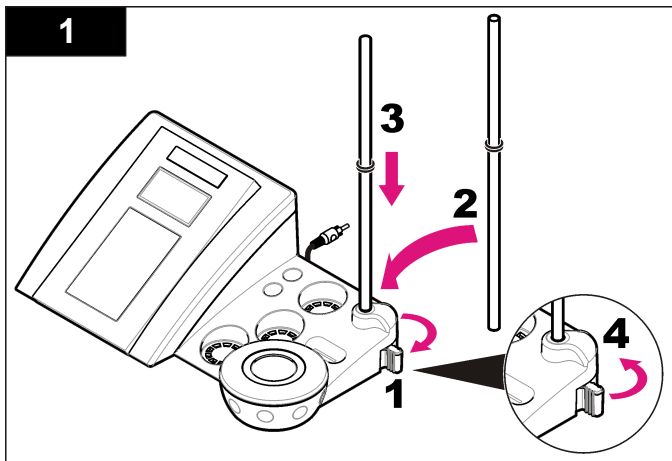


| | |
|--|-----------------------------------|
| 1 Electrolyte for the probe | 5 Power supply |
| 2 Buffer solutions (pH 4.01, pH 7.00 and pH 10.01) | 6 Rod with o-ring |
| 3 Calibration beakers (with magnetic bar inside) | 7 Probe (included with kits only) |
| 4 Probe holder | 8 Meter |

Installation

Assemble the probe holder

Follow the numbered steps to assemble the probe holder and to connect the magnetic stirrer.



Connect to AC power

⚠ DANGER

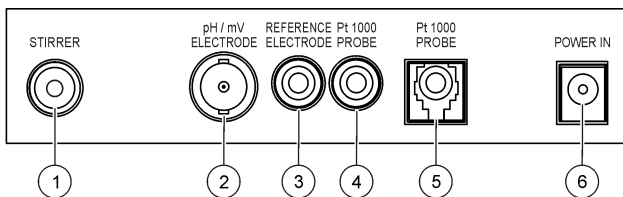


Electrocution hazard. If this equipment is used outdoors or in potentially wet locations, a Ground Fault Circuit Interrupt (GFCI/GFI) device must be used to connect the equipment to its main power source.

The meter can be powered by AC power with the universal power adapter.

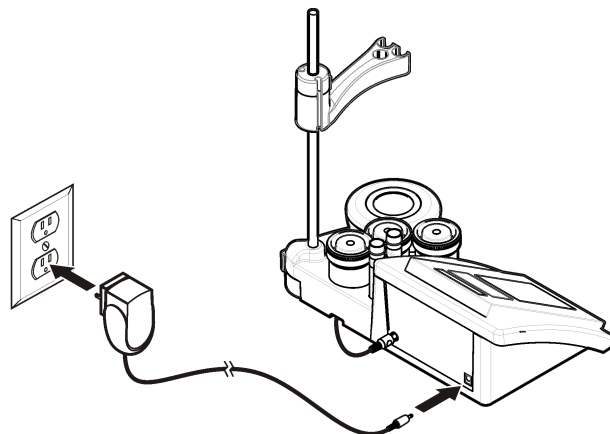
1. Select the correct adapter plug for the power outlet from the adapter kit.
2. Connect the universal power adapter to the meter (Figure 2).
3. Connect the universal power adapter to an AC receptacle (Figure 3).
4. Turn the meter on.

Figure 2 Connector panel



| | |
|--|---|
| 1 Magnetic stirrer connector | 4 Temperature probe connector |
| 2 Combined pH electrode (or indicator) connector | 5 Separated temperature probe connector |
| 3 Reference electrode (separated electrodes) connector | 6 Power supply |

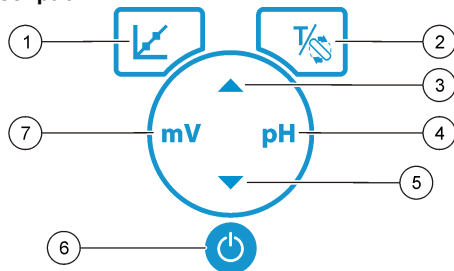
Figure 3 AC power connection



User interface and navigation

User interface

Keypad description

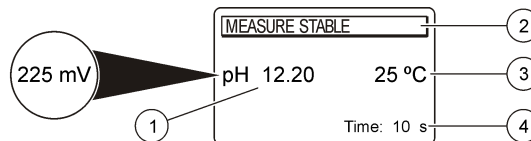


| | |
|---|---|
| 1 CALIBRATION key: start a calibration , view calibration data and change the calibration frequency | 5 DOWN key: scroll to other options, change a value |
| 2 TEMPERATURE and STIRRER key: change the temperature (°C, °F) or the stirring speed | 6 ON/OFF: turn on or turn off the meter |
| 3 UP key: scroll to other options, change a value | 7 mV measurement key: start a ORP (mV) measurement |
| 4 pH measurement key: start a pH measurement | |

Display description

The meter display shows the concentration, units, temperature, calibration status, date and time.

Figure 4 Single screen display



| | |
|---|---------------------------------|
| 1 Measurement unit and value (pH, ORP (mV)) | 3 Sample temperature (°C or °F) |
| 2 Measurement mode or time and date | 4 Visual measurement timer |

Navigation

Use the calibrate key to calibrate the probe. Use the parameter key to take a sample measurement. Use the TEMPERATURE and STIRRER key to change the temperature (°C, °F) or the stirring speed. Use the arrow keys to scroll to other options or to change a value. Be sure to look at the display during tasks as the screens change quickly. Refer to each task for specific instructions.

Startup

Turn the meter on and off

NOTICE

Make sure that the probe is connected to the meter before the meter is turned on.

Push to turn on or turn off the meter. If the meter does not turn on, make sure that the AC power supply is properly connected to an electrical outlet.

Change the language



The display language is selected when the meter is powered on for the first time.

Use the ▲ or ▼ to select a language from a list. The meter returns automatically to the measurement screen after 3 seconds.

Note: ▲ To change the language from the main menu, push .

Standard operation

Calibration

| ▲ DANGER | |
|--|---|
|  | Chemical exposure hazard. Obey laboratory safety procedures and wear all of the personal protective equipment appropriate to the chemicals that are handled. Refer to the current safety data sheets (MSDS/SDS) for safety protocols. |
|  | |

Calibration procedure

This procedure is for general use with liquid calibration solutions. Refer to the documents that are included with each probe for additional information.

Note: Solutions should be stirred during calibration. For more information about the stirring settings, refer to [Change the stirring settings](#) on page 9.

1. Pour the buffers or calibration solutions into the labeled calibration beakers.
2. From the main menu push ↵ to select pH or mV calibration.
3. Rinse the probe with deionized water and put the probe into the first calibration beaker. Be sure that there are no air bubbles in the membrane.
4. Push ↵ to measure the first calibration solution. The next calibration solution is shown.
5. Rinse the probe with deionized water and put the probe into the second calibration beaker. Be sure that there are no air bubbles in the membrane.
6. Push ↵ to measure the second calibration solution. The next calibration solution is shown.

7. Rinse the probe with deionized water and put the probe into the third calibration beaker. Be sure that there are no air bubbles in the membrane.
8. Push ↵ to measure the third calibration solution. When the calibration is good, the display briefly shows 3rd Buffer OK and then returns to the main menu.

View the calibration data

Data from the most recent calibration can be shown.

1. From the main menu push ↵ .
2. Use the ▼ to view the last calibration data. The meter returns automatically to the measurement screen after 3 seconds.

Set the calibration reminder

The calibration reminder can be set between 0 to 23 hours or 1-7 days (default 1 day). The display shows the remaining time to the new calibration.

Note: When 0 days is selected, the calibration reminder is turned off.

1. From the main menu push ↵ and then push ▼ until the display shows Cal. frequency.
2. Use the ▲ or ▼ to change the value. The meter returns automatically to the measurement screen after 3 seconds.

Sample measurements

Each probe has specific preparation steps and procedures for taking sample measurements. For step-by-step instructions, refer to the documents that are included with the probe.

Note: Solutions should be stirred during measurement. For more information about the stirring settings, refer to [Change the stirring settings](#) on page 9.

Note: The temperature is not shown during an ORP (mV) measurement when the temperature probe is not connected.

Push pH or ORP (mV) to take a sample measurement. During measurements, the parameter flashes and the timer shows the

stabilization time. To change the measurement parameter (if applicable), push and hold pH or ORP (mV).

To measure the sample continuously, push pH or ORP (mV) to start a measurement and push pH or ORP (mV) again during the stabilization. The parameter flashes to indicate the continuous measurement mode.

Advanced operation

Change the date and time

The date and time can be changed from the Date and Time menu.


1. Use the ▼ to enter the Date and Time menu. The date and time format: dd-mm-yyyy 24h.
The attribute to be changed will be automatically highlighted and will advance to the next attribute if no ▲ or ▼ is pushed.
2. To change an attribute, push ▲ or ▼ when the highlighted attribute is selected.
The current date and time will be shown on the display.

Adjust the display contrast

1. Push the ▲ and ▼ at the same time to enter the Display contrast menu.
2. Use the ▲ or ▼ to adjust the contrast of the display. The meter returns automatically to the measurement screen after 3 seconds.



Change the stirring settings

The stirring speed can be changed during calibration and during a measurement.

1. Push  during a calibration or during a measurement to enter the stirring menu.
2. Use the ▲ or ▼ to change the stirring speed in %.

Change the temperature units

The temperature units can be changed to Celsius or Fahrenheit.

1. From the main screen push .
2. Push  to select between Celsius or Fahrenheit.

Maintenance

CAUTION



Multiple hazards. Only qualified personnel must conduct the tasks described in this section of the document.

NOTICE

Do not disassemble the instrument for maintenance. If the internal components must be cleaned or repaired, contact the manufacturer.

Clean the instrument

NOTICE

Never use cleaning agents such as turpentine, acetone or similar products to clean the instrument including the display and accessories.

Clean the exterior of the instrument with a moist cloth and a mild soap solution.

Clean the probe

Clean the probe as needed. Refer to [Troubleshooting](#) on page 12 for more information about cleaning. Refer to the probe documentation for information about the probe maintenance.

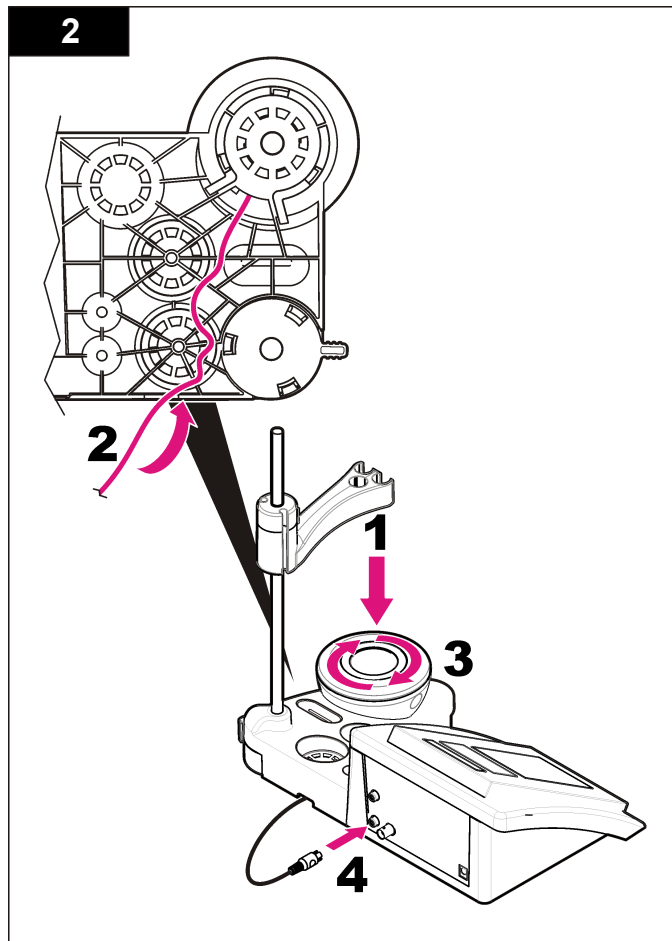
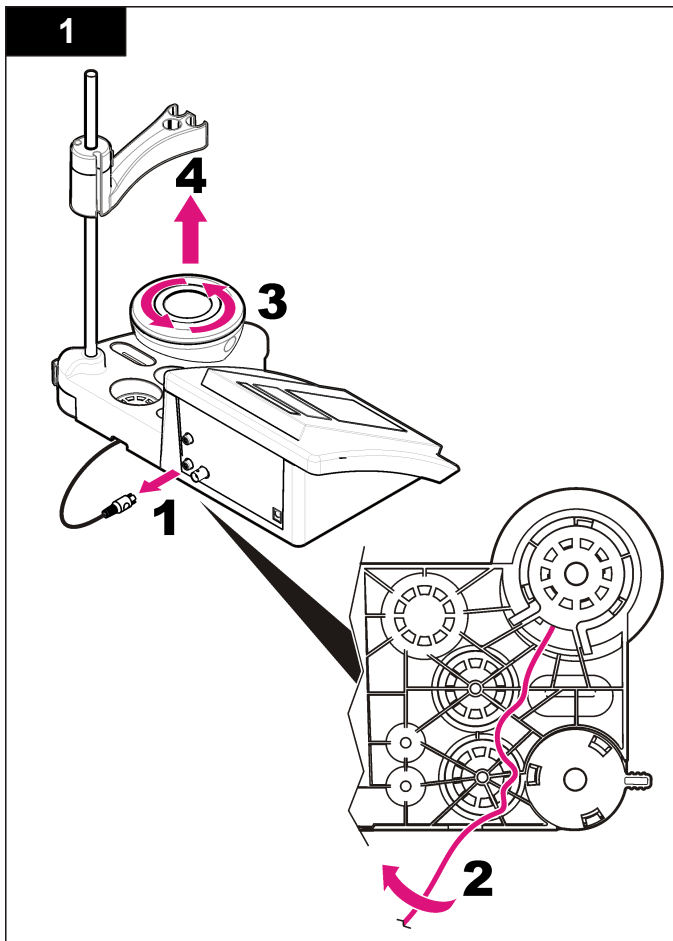
Use the cleaning agents listed in [Table 1](#) for contaminations on the pH probe.

Table 1 Cleaning agents for the pH probe

| Contamination | Cleaning agent |
|--------------------|-----------------------------|
| Proteins | Pepsin cleaning solution |
| Grease, oils, fats | Electrode cleaning solution |
| Limescale | 0.1 N HCl solution |

Replace the magnetic stirrer

If the magnetic stirrer does not start, follow the numbered steps to replace the magnetic stirrer.



Troubleshooting

Refer to the following table for common problem messages or symptoms, possible causes and corrective actions.

Table 2 Calibration warnings and errors




| Error/Warning | Solution |
|---|--|
| Asymmetry > 58 mV | Slope out of range (accepted values ± 58 mV). Repeat with  . Connect a new probe. |
| Buffer or electrode in poor conditions. | Repeat with  . |
| Sens. (a) < 70% | Examine the probe: Clean the probe (refer to Clean the probe on page 9 for more information); make sure that there are no air bubbles in the membrane. Shake the probe like a thermometer; Connect a different probe to verify if problem is with probe or meter. |
| BUFFER NOT RECOGNIZED | Examine the buffer solution: Make sure that the buffer used matches the buffer specified in configuration; make sure of the temperature specification in configuration; use new buffer solution. |
| UNSTABLE READING Time > 100 s | Repeat with  . Examine the probe: Clean the probe (refer to Clean the probe on page 9 for more information); make sure that there are no air bubbles in the membrane. Shake the probe like a thermometer; connect a different probe to verify if problem is with probe or meter. Make sure that the membrane and the diaphragm are properly immersed in the sample. |

Table 2 Calibration warnings and errors (continued)



| Error/Warning | Solution |
|-------------------------------|---|
| Electrode in poor conditions. | Examine the probe: Clean the probe (refer to Clean the probe on page 9 for more information); make sure that there are no air bubbles in the membrane. Shake the probe like a thermometer; connect a different probe to verify if problem is with probe or meter. |
| Check the electrode | |
| SAME BUFFERS | Repeat with  . Examine the probe: Clean the probe (refer to Clean the probe on page 9 for more information); make sure that there are no air bubbles in the membrane. Shake the probe like a thermometer; connect a different probe to verify if problem is with probe or meter. Examine the buffer solution: Use new buffer solution. |

Table 3 Measurement warnings and errors

| Error/Warning | Solution |
|----------------------|---|
| pH 12.78 19°C | Repeat with  . |
| pH out of range | Examine the probe: Clean the probe (refer to Clean the probe on page 9 for more information); make sure that there are no air bubbles in the membrane. Shake the probe like a thermometer; connect a different probe to verify if problem is with probe or meter. |
| Temp out of range °C | Examine the temperature sensor. Connect a different probe to verify if problem is with probe or meter. |
| Time > 150 s | Make sure that the membrane and the diaphragm are properly immersed in the sample. Examine the temperature. Examine the probe: Clean the probe (refer to Clean the probe on page 9 for more information); make sure that there are no air bubbles in the membrane. Shake the probe like a thermometer; connect a different probe to verify if problem is with probe or meter. |

Replacement parts and accessories

Note: Product and Article numbers may vary for some selling regions. Contact the appropriate distributor or refer to the company website for contact information.

Replacement parts

| Description | Item no. |
|---|-----------------|
| sensION+ PH3 Lab pH-meter with accessories, without probe | LPV2000.98.0002 |
| sensION+ PH31 Lab pH-meter, GLP, with accessories, without probe | LPV2100.98.0002 |
| sensION+ MM340 Lab pH & Ion-meter, GLP, 2 channels, with accessories, without probe | LPV2200.98.0002 |
| sensION+ EC7 Lab conductivity meter, with accessories, without probe | LPV3010.98.0002 |
| sensION+ EC71 Lab conductivity meter, GLP, with accessories, without probe | LPV3110.98.0002 |
| sensION+ MM374, 2 channel Lab meter, GLP, accessories, without probes | LPV4110.98.0002 |

Consumables

| Description | Item no. |
|----------------------------------|------------|
| pH buffer solution 4.01, 125 mL | LZW9460.99 |
| pH buffer solution 7.00, 125 mL | LZW9461.98 |
| pH buffer solution 10.01, 125 mL | LZW9470.99 |
| pH buffer solution 4.01, 250 mL | LZW9463.99 |
| pH buffer solution 7.00, 250 mL | LZW9464.98 |
| pH buffer solution 10.01, 250 mL | LZW9471.99 |
| pH buffer solution 4.01, 1000 mL | LZW9466.99 |
| pH buffer solution 7.00, 1000 mL | LZW9467.98 |

Consumables (continued)

| Description | Item no. |
|--|------------|
| pH buffer solution 10.01, 1000 mL | LZW9472.99 |
| Electrolytic solution (KCl 3M), 125 mL | LZW9510.99 |
| Electrolytic solution (KCl 3M), 250 mL | LZW9500.99 |
| Electrolytic solution (KCl 3M), 50 mL | LZW9509.99 |
| Electrolytic solution 0.1 M, 125 mL | LZW9901.99 |
| Enzyme solution | 2964349 |
| Pepsin Cleaning Solution | 2964349 |
| Electrode cleaning solution | 2965249 |
| 0.1 N HCl solution | 1481253 |

Accessories

| Description | Item no. |
|---|------------|
| Magnetic stirrer with sensor holder, for sensION+ MM benchtop | LZW9319.99 |
| 3x50 mL printed beakers for benchtop pH calibration | LZW9110.98 |
| Three-sensor holder, for sensION+ benchtop instruments | LZW9321.99 |
| Holder and clamp for three sensors | LZW9155.99 |
| Pyrex glass chamber, continuous flow measurements | LZW9118.99 |
| PP protector, electrode storage | LZW9161.99 |

Standard solutions

Technical buffer solutions (DIN 19267)

Refer to [Table 4](#) pH and ORP (mV) values of specific buffer sets at varying temperatures.

Table 4 pH, ORP (mV) and temperature values

| Temperature | | pH | | | | | mV |
|-------------|-----------|-------------|-------------|-------------|-------------|--------------|------------|
| °C | °F | | | | | | |
| 0 | 32 | 2.01 | 4.01 | 7.12 | 9.52 | 10.30 | — |
| 10 | 50 | 2.01 | 4.00 | 7.06 | 9.38 | 10.17 | 245 |
| 20 | 68 | 2.00 | 4.00 | 7.02 | 9.26 | 10.06 | 228 |
| 25 | 77 | 2.00 | 4.01 | 7.00 | 9.21 | 10.01 | 220 |
| 30 | 86 | 2.00 | 4.01 | 6.99 | 9.16 | 9.96 | 212 |
| 40 | 104 | 2.00 | 4.03 | 6.97 | 9.06 | 9.88 | 195 |
| 50 | 122 | 2.00 | 4.06 | 6.97 | 8.99 | 9.82 | 178 |
| 60 | 140 | 2.00 | 4.10 | 6.98 | 8.93 | 9.76 | 160 |
| 70 | 158 | 2.01 | 4.16 | 7.00 | 8.88 | — | — |
| 80 | 176 | 2.01 | 4.22 | 7.04 | 8.83 | — | — |
| 90 | 194 | 2.01 | 4.30 | 7.09 | 8.79 | — | — |

Technische Daten

Änderungen vorbehalten.

| Technische Daten | Details |
|---------------------------------|---|
| Abmessungen | 35 x 20 x 11 cm |
| Gewicht | 1100 g |
| Gerätegehäuse | IP42 |
| Spannungsversorgung (extern) | 100–240 V, 0,4 A, 47-63 Hz |
| Schutzklasse des Messgerätes | Klasse II |
| Lagertemperatur | –15 bis +65 °C |
| Betriebstemperatur | 0 bis 40 °C |
| Luftfeuchtigkeit bei Betrieb | < 80% (nicht-kondensierend) |
| Auflösung | pH: 0.01, ORP: 1 mV, Temperatur: 0,1 °C (0,18 °F) |
| Messfehler (± 1 Stelle) | pH: ≤ 0.01, ORP: ≤ 1 mV, Temperatur: ≤ 0,2 °C |
| Reproduzierbarkeit (± 1 Stelle) | pH: ± 0.01, ORP: ± 1 mV, Temperatur: ± 0,1 °C |
| Anschlüsse | Kombinierte oder Indikatorelektrode: BNC-Anschluss (Imp. >10 ¹² Ω); Referenzelektrode: Bananenanschluss; A.T.C.-Typ Pt 1000; Bananen- oder Telefonanschluss; Magnetrührer: RCA-Anschluss |
| Temperaturkorrektur | Manuell, Pt 1000 Temperatursensor (A.T.C.), NTC 10 kΩ |
| Sperren der Messanzeige | Kontinuierliche Messung, nach Stabilität |
| Display | Flüssigkristall, Hintergrundbeleuchtung, 128 x 64 Punkte |
| Tastatur | PET mit Schutzbehandlung |
| Zertifizierung | CE |

Allgemeine Informationen

Überarbeitete Ausgaben der Bedienungsanleitung sind auf der Hersteller-Webseite erhältlich.

Sicherheitshinweise

HINWEIS

Der Hersteller ist nicht für Schäden verantwortlich, die durch Fehlanwendung oder Missbrauch dieses Produkts entstehen, einschließlich, aber ohne Beschränkung auf direkte, zufällige oder Folgeschäden, und lehnt jegliche Haftung im gesetzlich zulässigen Umfang ab. Der Benutzer ist selbst dafür verantwortlich, schwerwiegende Anwendungsrisiken zu erkennen und erforderliche Maßnahmen durchzuführen, um die Prozesse im Fall von möglichen Gerätefehlern zu schützen.

Bitte lesen Sie dieses Handbuch komplett durch, bevor Sie dieses Gerät auspacken, aufstellen oder bedienen. Beachten Sie alle Gefahren- und Warnhinweise. Nichtbeachtung kann zu schweren Verletzungen des Bedieners oder Schäden am Gerät führen.

Stellen Sie sicher, dass die durch dieses Messgerät bereitgestellte Sicherheit nicht beeinträchtigt wird. Verwenden bzw. installieren Sie das Messsystem nur wie in diesem Handbuch beschrieben.

Bedeutung von Gefahrenhinweisen

▲ GEFAHR

Kennzeichnet eine mögliche oder drohende Gefahrensituation, die, wenn sie nicht vermieden wird, zum Tod oder zu schweren Verletzungen führt.

▲ WARNUNG

Kennzeichnet eine mögliche oder drohende Gefahrensituation, die, wenn sie nicht vermieden wird, zum Tod oder zu schweren Verletzungen führen kann.

▲ VORSICHT



Kennzeichnet eine mögliche Gefahrensituation, die zu geringeren oder moderaten Verletzungen führen kann.

HINWEIS

Kennzeichnet eine Situation, die, wenn sie nicht vermieden wird, das Gerät beschädigen kann. Informationen, die besonders beachtet werden müssen.

Warnhinweise

Lesen Sie alle am Gerät angebrachten Aufkleber und Hinweise. Nichtbeachtung kann Verletzungen oder Beschädigungen des Geräts zur Folge haben. Im Handbuch werden auf die am Gerät angebrachten Symbole in Form von Warnhinweisen verwiesen.

| | |
|--|--|
|  | Dieses Symbol am Gerät weist auf Betriebs- und/oder Sicherheitsinformationen im Handbuch hin. |
|  | Mit diesem Symbol gekennzeichnete elektrische Geräte dürfen europaweit nicht mehr im unsortierten Haus- oder Gewerbemüll entsorgt werden. Geben Sie Altgeräte an den Hersteller zurück, der sie kostenlos für den Benutzer entsorgen muss. |

Produktübersicht

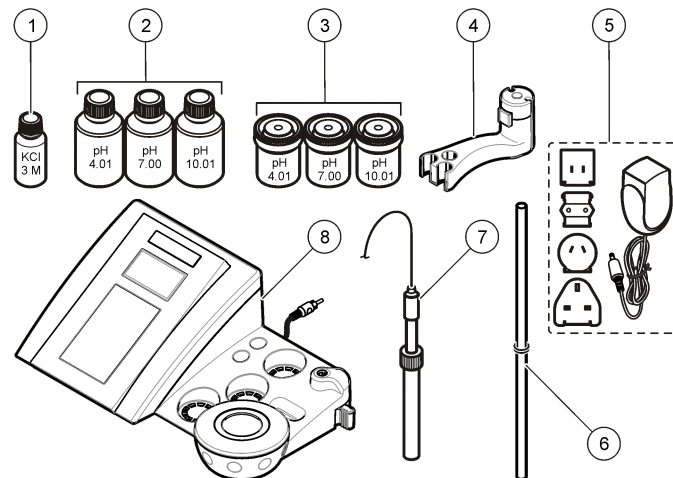
Die sensION™+ Messgeräte werden mit Sonden eingesetzt, um verschiedene Parameter in Wasser zu messen.

Das sensION™+ PH3-Messgerät misst pH, ORP (mV) oder Temperatur.

Produktkomponenten

Vergewissern Sie sich anhand von [Abbildung 1](#), dass alle Teile geliefert wurden. Wenn irgendwelche Positionen fehlen oder beschädigt sind, kontaktieren Sie bitte den Hersteller oder Verkäufer.

Abbildung 1 Komponenten des Messgeräts

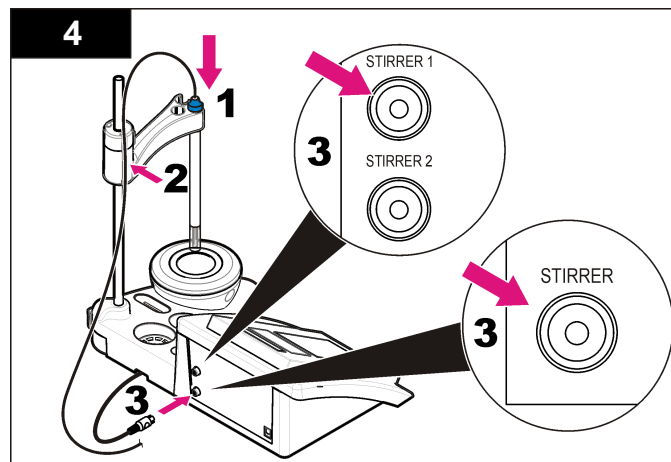
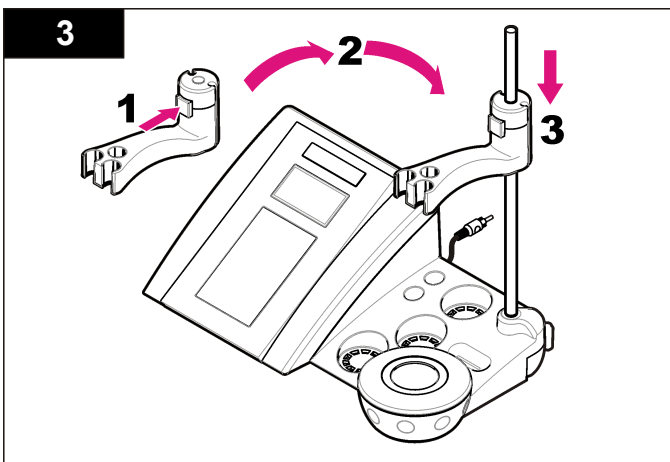
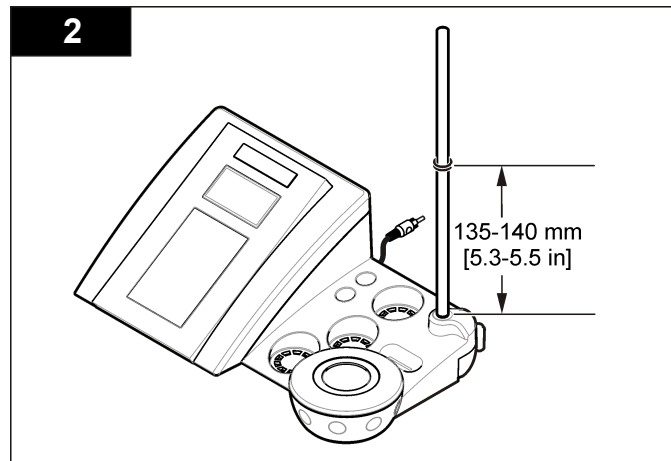
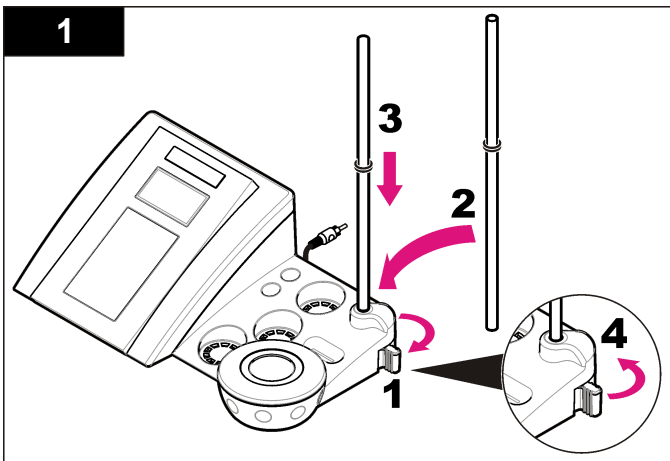


| | |
|--|---------------------------------|
| 1 Elektrolyt für die Sonde | 5 Netzteil |
| 2 Pufferlösungen (pH 4,01, pH 7,00 und pH 10,01) | 6 Stab mit Dichtungsring |
| 3 Kalibrierbecher (innen mit Magnetstab) | 7 Sonde (nur in Kits enthalten) |
| 4 Sondenhalter | 8 Messgerät |

Installation

Zusammensetzen des Sondenhalters

Folgen Sie den nummerierten Schritten, um den Sondenhalter zusammenzusetzen und den Magnetrührer anzuschließen.



Anschluss an die Netzversorgung

⚠ GEFAHR

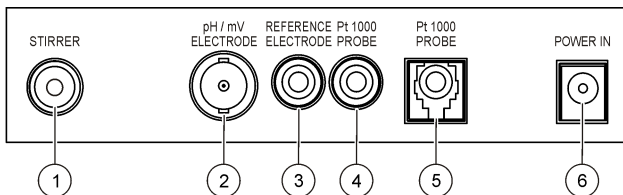


Lebensgefahr durch Stromschlag. Wenn dieses Gerät im Freien oder an potenziell feuchten Standorten eingesetzt wird, muss ein FI-Schutzschalter zum Anschluss an die Netzversorgung verwendet werden.

Das Messgerät kann über einen Universal-Netzadapter mit Netzspannung versorgt werden.

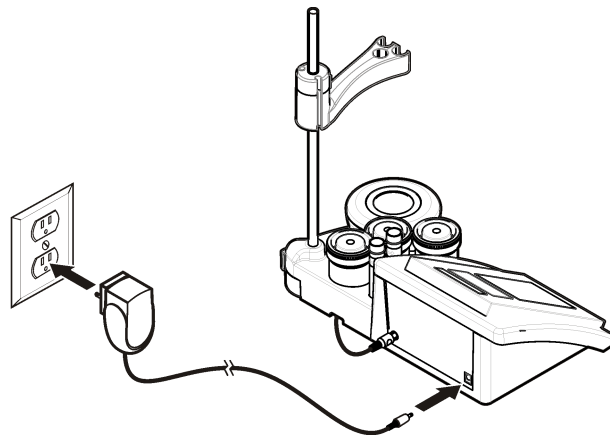
1. Wählen Sie aus dem Adaptersatz den zur Netzsteckdose passenden Adapterstecker aus.
2. Schließen Sie den Universal-Netzadapter an das Messgerät an ([Abbildung 2](#)).
3. Schließen Sie den Universal-Netzadapter an die Netzsteckdose an ([Abbildung 3](#)).
4. Schalten Sie das Messgerät ein.

Abbildung 2 Anschlussfeld



| | |
|--|---|
| 1 Anschluss für Magnetrührer | 4 Anschluss für Temperatursonde |
| 2 Anschluss für pH-Elektrode (oder -Indikator) | 5 Anschluss für getrennte Temperatursonde |
| 3 Anschluss für Referenzelektrode (getrennte Elektroden) | 6 Netzteil |

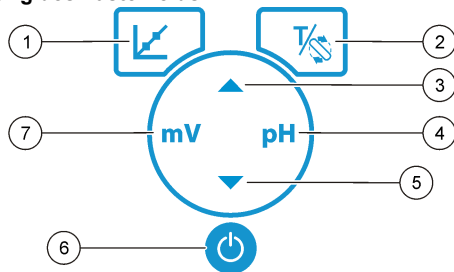
Abbildung 3 AC-Netzanschluss



Benutzeroberfläche und Navigation

Benutzeroberfläche

Beschreibung des Tastenfelds

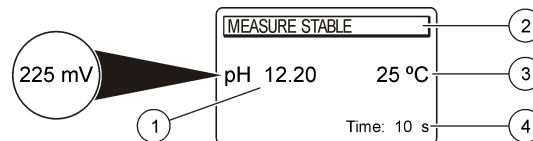


| | |
|--|---|
| 1 Taste KALIBRIERUNG: Starten einer Kalibrierung, Anzeigen der Kalibrierungsdaten und Ändern der Kalibrierungsfrequenz | 5 Taste NACH UNTEN: Blättert zu einer anderen Option, ändert einen Wert |
| 2 Taste TEMPERATUR und RÜHRER: Ändern der Temperatur (°C, °F) oder Rührgeschwindigkeit | 6 EIN/AUS: Schaltet das Messgerät ein bzw. aus |
| 3 Taste NACH OBEN: Blättert zu einer anderen Option, ändert einen Wert | 7 Taste mV-Messung: Beginnen einer ORP- (mV) Messung |
| 4 Taste pH-Messung: Beginnen der pH-Messung | |

Displaybeschreibung

Das Display zeigt Konzentration, Einheiten, Temperatur, Kalibrierungsstatus sowie Datum und Zeit an.

Abbildung 4 Einzelne Bildschirmanzeige



| | |
|---------------------------------------|----------------------------------|
| 1 Messeinheit und Wert (pH, ORP (mV)) | 3 Proben temperatur (°C oder °F) |
| 2 Messmodus oder Datum und Zeit | 4 Visueller Messungstimer |

Navigation

Verwenden Sie die Kalibrierungstaste zum Kalibrieren der Sonde. Verwenden Sie die Parametertaste zum Durchführen einer Probenmessung. Verwenden Sie die Taste TEMPERATUR und RÜHRER zum Ändern der Temperatur (°C, °F) oder Rührgeschwindigkeit. Verwenden Sie die Pfeiltasten , um zu anderen Optionen zu blättern oder einen Wert zu ändern. Schauen Sie während der Aufgaben immer auf das Display, da sich die Bildschirme schnell ändern. Spezielle Anweisungen finden Sie jeweils zu den einzelnen Aufgaben.

Inbetriebnahme

Ein-/Ausschalten des Messgerätes

HINWEIS

Vergewissern Sie sich, dass die Sonde an das Messgerät angeschlossen wurde, bevor das Messgerät eingeschaltet wird.

Drücken Sie , um das Messgerät ein- oder auszuschalten. Wenn sich das Messgerät nicht einschalten lässt, vergewissern Sie sich, dass das AC-Netzteil korrekt in eine Steckdose eingesteckt ist.

Ändern der Sprache



Die Anzeigensprache wird beim ersten Einschalten des Messgerätes ausgewählt.

Verwenden Sie ▲ oder ▼, um eine Sprache aus einer Liste auszuwählen. Das Messgerät kehrt nach 3 Sekunden automatisch zum Messbildschirm zurück.

Hinweis: ▲ Drücken Sie zum Ändern der Sprache im Hauptmenü.

Standardbetrieb



Kalibrierung



| ▲ GEF AHR | |
|--|---|
|   | Gefahr von Kontakt mit Chemikalien. Halten Sie sich an die Sicherheitsmaßnahmen im Labor, und tragen Sie Schutzkleidung entsprechend den Chemikalien, mit denen Sie arbeiten. Beachten Sie die Sicherheitsprotokolle in den aktuellen Material Sicherheitsdatenblättern (MSDS/SDB). |

Kalibriervorgang

Dieser Vorgang gilt für die allgemeine Verwendung mit flüssigen Kalibrierlösungen. Weitere Informationen finden Sie in den Dokumenten im Lieferumfang der jeweiligen Elektrode.


Hinweis: Lösungen sollten während der Kalibrierung gerührt werden. Weitere Informationen zu Rühreinstellungen finden Sie unter [Ändern der Rühreinstellungen](#) auf Seite 21.

1. Gießen Sie die Standard- oder Kalibrierlösungen in die beschrifteten Kalibrierbecher.
2. Drücken Sie im Hauptmenü , um pH- oder mV-Kalibrierung auszuwählen.
3. Reinigen Sie die Elektrode mit deionisiertem Wasser, und geben Sie die Elektrode in den ersten Kalibrierbecher. Achten Sie darauf, dass keine Luftblasen in der Messzelle vorhanden sind.
4. Drücken Sie , um die erste Kalibrierlösung zu messen. Die nächste Kalibrierlösung wird angezeigt.

5. Reinigen Sie die Elektrode mit entionisiertem Wasser, und geben Sie die Elektrode in den zweiten Kalibrierbecher. Achten Sie darauf, dass keine Luftblasen in der Messzelle vorhanden sind.
6. Drücken Sie , um die zweite Kalibrierlösung zu messen. Die nächste Kalibrierlösung wird angezeigt.
7. Reinigen Sie die Elektrode mit entionisiertem Wasser, und geben Sie die Elektrode in den dritten Kalibrierbecher. Achten Sie darauf, dass keine Luftblasen in der Messzelle vorhanden sind.
8. Drücken Sie , um die dritte Kalibrierlösung zu messen. Wenn die Kalibrierung in Ordnung ist, zeigt das Display kurz „3. Puffer OK“ an und kehrt dann zum Hauptmenü zurück.

Anzeigen der Kalibrierungsdaten


Es können Daten der letzten Kalibrierung angezeigt werden.

1. Drücken Sie im Hauptbildschirm auf .
2. Verwenden Sie ▼, um die Kalibrierungsdaten anzuzeigen. Das Messgerät kehrt nach 3 Sekunden automatisch zum Messbildschirm zurück.

Einstellen der Kalibrierungserinnerung

Die Kalibrierungserinnerung kann zwischen 1 und 23 Stunden oder 1 und 7 Tagen festgelegt werden (Standard 1 Tag). Das Display zeigt die verbleibende Zeit bis zur neuen Kalibrierung.

Hinweis: Bei Auswahl von 0 ist die Kalibrierungserinnerung ausgeschaltet.

1. Drücken Sie im Hauptmenü  und anschließend ▼, bis das Display „Frequenz Kal.“ anzeigt.
2. Ändern Sie den Wert mit ▲ oder ▼.
Das Messgerät kehrt nach 3 Sekunden automatisch zum Messbildschirm zurück.

Probenmessungen

Für jede Sonde sind spezifische Schritte zur Vorbereitung und zur Durchführung von Probenmessungen erforderlich. Die Kalibrierungsschritte sind in den zum Lieferumfang der Sonden gehörenden Dokumenten zu finden.

Hinweis: Lösungen sollten während der Messung gerührt werden. Weitere Informationen zu Rühreinstellungen finden Sie unter [Ändern der Rühreinstellungen](#) auf Seite 21.

Hinweis: Die Temperatur wird während einer ORP (mV)-Messung nicht angezeigt, wenn die Temperatursonde nicht angeschlossen ist.

Drücken Sie ORP (mV) oder pH, um eine Probenmessung durchzuführen. Während der Messungen blinkt der Parameter, und der Timer zeigt die Stabilisierungszeit an. Um den Messparameter zu ändern (falls zutreffend), drücken und halten Sie pH oder ORP (mV).

Um eine kontinuierliche Messung der Probe durchzuführen, drücken Sie pH oder ORP (mV) zum Starten der Messung, dann während der Stabilisierung pH oder ORP (mV) erneut drücken. Der Parameter blinkt, um den kontinuierlichen Messmodus anzuzeigen.

Fortgeschrittener Betrieb

Ändern von Datum und Zeit

Datum und Zeit können im Menü „Datum und Zeit“ geändert werden.


1. Verwenden Sie ▼, um das Menü „Datum und Zeit“ zu öffnen. Datums- und Zeitformat: tt-mm-jjjj 24h. Das zu ändernde Attribut wird automatisch hervorgehoben und springt zum nächsten Attribut weiter, wenn ▲ oder ▼ nicht gedrückt werden.
2. Drücken Sie zum Ändern eines Attributs ▲ oder ▼, wenn das hervorgehobene Attribut ausgewählt ist. Das aktuelle Datum und die aktuelle Zeit werden im Display angezeigt.

Einstellen des Anzeigekontrasts

1. Drücken Sie ▲ und ▼ gleichzeitig, um das Menü Displaykontrast aufzurufen.
2. Verwenden Sie ▲ und ▼, um den Kontrast der Anzeige anzupassen. Das Messgerät kehrt nach 3 Sekunden automatisch zum Messbildschirm zurück.



Ändern der Rühreinstellungen

Die Rührgeschwindigkeit kann während der Kalibrierung und während der Messung geändert werden.


1. Drücken Sie  während einer Kalibrierung oder während einer Messung, um das Menü „Rühren“ zu öffnen.
2. Verwenden Sie ▲ oder ▼, um die Rührgeschwindigkeit in % anzuzeigen.

Ändern der Temperatureinheiten

Die Temperatureinheiten können in Celsius oder Fahrenheit geändert werden.

1. Drücken Sie im Hauptbildschirm auf .
2. Drücken Sie , um Celsius oder Fahrenheit auszuwählen.

Wartung

| | |
|--|--|
| ▲ VORSICHT | |
|  | Mehrere Gefahren. Nur qualifiziertes Personal sollte die in diesem Kapitel des Dokuments beschriebenen Aufgaben durchführen. |
| HINWEIS | |
| Nehmen Sie das Gerät nicht zur Wartung auseinander. Falls eine Reinigung oder Instandsetzung von externen Bauteilen erforderlich ist, wenden Sie sich an den Hersteller. | |

Reinigen des Geräts

| |
|---|
| HINWEIS |
| Verwenden Sie zum Reinigen des Geräts, einschließlich von Display und Zubehör, keine Reinigungsmittel wie Terpentin, Azeton oder ähnliche Produkte. |

Reinigen Sie das Gerät mit einer milden Seifenlösung und einem feuchten Tuch.

Reinigen der Sonde

Reinigen Sie die Sonde bei Bedarf. Weitere Informationen zur Reinigung finden Sie unter [Fehlersuche und Behebung](#) auf Seite 24.

Informationen zur Wartung der Sonde finden Sie in der Sondendokumentation.

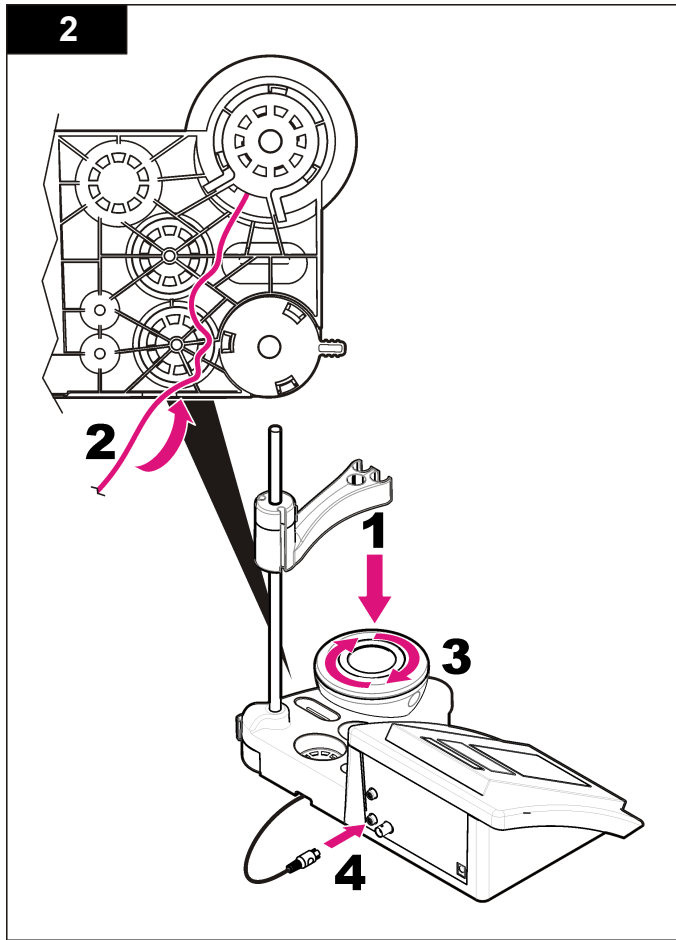
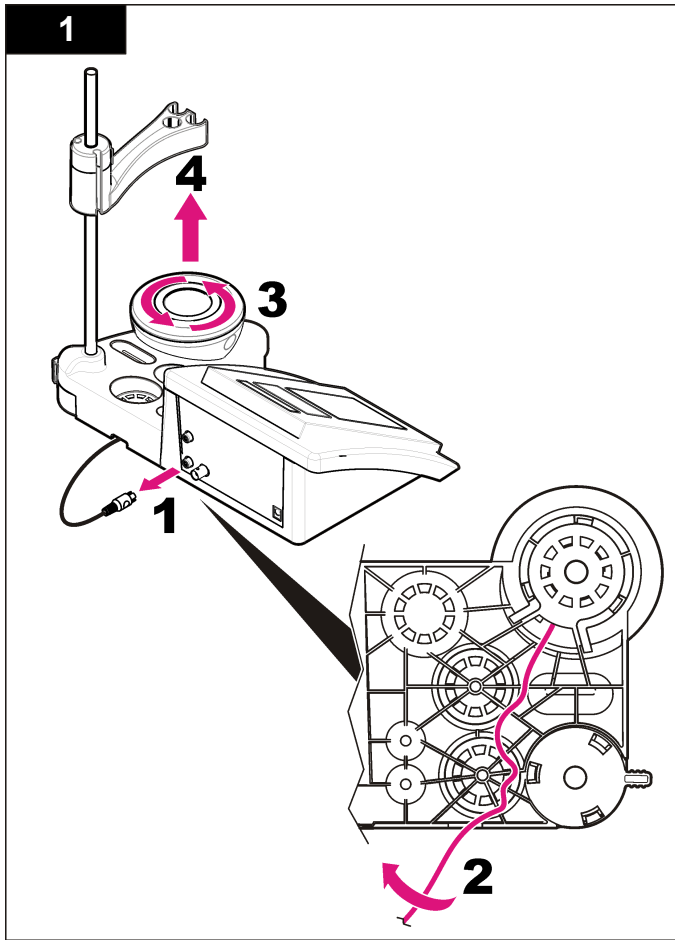
Verwenden Sie die in [Tabelle 1](#) aufgeführten Reinigungsmittel bei Verunreinigungen auf der pH-Sonde.

Tabelle 1 Reinigungsmittel für pH-Sonde

| Verunreinigung | Reinigungsmittel |
|------------------|----------------------------|
| Proteine | Pepsin-Reinigungslösung |
| Fette, Öle | Elektrodenreinigungslösung |
| Kalkablagerungen | 0,1 N HCl-Lösung |

Ersetzen des Magnetrührers

Wenn der Magnetrührer nicht startet, folgen Sie den nummerierten Schritten zum Ersetzen des Magnetrührers.



Fehlersuche und Behebung

Die folgende Tabelle beschreibt allgemeine Problemmeldungen oder Symptome, mögliche Ursachen sowie Abhilfemaßnahmen.

Tabelle 2 Kalibrierungswarnungen und -fehler




| Fehler/Warnung | Lösung |
|---|--|
| Asymmetrie > 58 mV | Steilheit außerhalb des Bereichs (akzeptierte Werte ± 58 mV). Wiederholen Sie mit  . Schließen Sie eine neue Probe an. |
| Puffer oder Elektrode in schlechtem Zustand | Wiederholen Sie mit  . Prüfen Sie die Sonde: Reinigen Sie die Sonde (siehe Reinigen der Sonde auf Seite 22, um weitere Informationen zu erhalten); vergewissern Sie sich, dass sich keine Luftblasen in der pH-sensitiven Glaskugel befinden. Schütteln Sie die Sonde wie ein Thermometer. |
| Sens. (a) < 70 % | Schließen Sie eine andere Sonde an, um den Fehler auf Sonde oder Messgerät einzugrenzen. |
| PUFFER NICHT ERKANNT | Prüfen Sie die Pufferlösung: Vergewissern Sie sich, dass der verwendete Puffer mit dem in der Konfiguration spezifizierten Puffer übereinstimmt; prüfen Sie die Temperaturspezifikation in der Konfiguration; verwenden Sie eine neue Pufferlösung. |
| MESSUNG NICHT STABIL Zeit $t > 100$ s | Wiederholen Sie mit  . Prüfen Sie die Sonde: Reinigen Sie die Sonde (siehe Reinigen der Sonde auf Seite 22, um weitere Informationen zu erhalten); vergewissern Sie sich, dass sich keine Luftblasen in der pH-sensitiven Glaskugel befinden. Schütteln Sie die Sonde wie ein Thermometer; schließen Sie eine andere Sonde an, um den Fehler auf Sonde oder Messgerät einzugrenzen. Vergewissern Sie sich, dass die pH-sensitiven Glaskugel und das Diaphragma korrekt in die Probe eingetaucht sind. |

Tabelle 2 Kalibrierungswarnungen und -fehler (fortgesetzt)


| Fehler/Warnung | Lösung |
|---------------------------------|---|
| Elektrode in schlechtem Zustand | Prüfen Sie die Sonde: Reinigen Sie die Sonde (siehe Reinigen der Sonde auf Seite 22, um weitere Informationen zu erhalten); vergewissern Sie sich, dass sich keine Luftblasen in der pH-sensitiven Glaskugel befinden. Schütteln Sie die Sonde wie ein Thermometer; schließen Sie eine andere Sonde an, um den Fehler auf Sonde oder Messgerät einzugrenzen. |
| Elektrode prüfen | |
| STANDARD WIEDERHOLEN | Wiederholen Sie mit  . Prüfen Sie die Sonde: Reinigen Sie die Sonde (siehe Reinigen der Sonde auf Seite 22, um weitere Informationen zu erhalten); vergewissern Sie sich, dass sich keine Luftblasen in der pH-sensitiven Glaskugel befinden. Schütteln Sie die Sonde wie ein Thermometer; schließen Sie eine andere Sonde an, um den Fehler auf Sonde oder Messgerät einzugrenzen. Prüfen Sie die Pufferlösung: Verwenden Sie eine neue Pufferlösung. |

Tabelle 3 Messwarnungen und -fehler


| Fehler/Warnung | Lösung |
|---------------------------|--|
| pH 12,78 19 °C | Wiederholen Sie mit  . |
| pH außerhalb des Bereichs | Prüfen Sie die Messzelle: Reinigen Sie die Messzelle (siehe Reinigen der Sonde auf Seite 22, um weitere Informationen zu erhalten); vergewissern Sie sich, dass sich keine Luftblasen in der pH-sensitiven Glaskugel befinden. Schütteln Sie die Messzelle wie ein Thermometer; schließen Sie eine andere Sonde an, um den Fehler auf Messzelle oder Messgerät einzugrenzen. |

Tabelle 3 Messwarnungen und -fehler (fortgesetzt)

| Fehler/Warnung | Lösung |
|--------------------------------------|---|
| Temperatur außerhalb des Bereichs °C | Prüfen Sie den Temperatursensor. Schließen Sie eine andere Messzelle an, um den Fehler auf Messzelle oder Messgerät einzugrenzen. |
| Zeit > 150 s | Vergewissern Sie sich, dass die pH-sensitiven Glaskugel und das Diaphragma korrekt in die Probe eingetaucht sind. Prüfen Sie die Temperatur. Prüfen Sie die Messzelle: Reinigen Sie die Messzelle (siehe Reinigen der Sonde auf Seite 22, um weitere Informationen zu erhalten); vergewissern Sie sich, dass sich keine Luftblasen in der pH-sensitiven Glaskugel befinden. Schütteln Sie die Messzelle wie ein Thermometer; schließen Sie eine andere Sonde an, um den Fehler auf Messzelle oder Messgerät einzugrenzen. |

Ersatzteile und Zubehör

Hinweis: Produkt- und Artikelnummern können für einige Verkaufsgebiete abweichen. Wenden Sie sich an den zuständigen Distributor oder schlagen Sie die Kontaktinformationen auf der Webseite des Unternehmens nach.

Ersatzteile

| Beschreibung | Bestellnr. |
|---|-----------------|
| sensION+ PH3 Lab pH-Messgerät mit Zubehör, ohne Sonde | LPV2000.98.0002 |
| sensION+ PH31 Lab pH-Messgerät, GLP, mit Zubehör, ohne Sonde | LPV2100.98.0002 |
| sensION+ MM340 Lab pH- & Ionenmessgerät, GLP, 2 Kanäle, mit Zubehör, ohne Sonde | LPV2200.98.0002 |
| sensION+ EC7 Lab Leitfähigkeitsmessgerät, mit Zubehör, ohne Sonde | LPV3010.98.0002 |

Ersatzteile (fortgesetzt)

| Beschreibung | Bestellnr. |
|---|-----------------|
| sensION+ EC71 Lab Leitfähigkeitsmessgerät, GLP, mit Zubehör, ohne Sonde | LPV3110.98.0002 |
| sensION+ MM374, 2-Kanal-Lab-Messgerät, GLP, Zubehör, ohne Sonden | LPV4110.98.0002 |

Verbrauchsmaterial

| Beschreibung | Bestellnr. |
|-----------------------------------|------------|
| pH-Pufferlösung 4,01, 125 mL | LZW9460.99 |
| pH-Pufferlösung 7,00, 125 mL | LZW9461.98 |
| pH-Pufferlösung 10,01, 125 mL | LZW9470.99 |
| pH-Pufferlösung 4,01, 250 mL | LZW9463.99 |
| pH-Pufferlösung 7,00, 250 mL | LZW9464.98 |
| pH-Pufferlösung 10,01, 250 mL | LZW9471.99 |
| pH-Pufferlösung 4,01, 1000 mL | LZW9466.99 |
| pH-Pufferlösung 7,00, 1000 mL | LZW9467.98 |
| pH-Pufferlösung 10,01, 1000 mL | LZW9472.99 |
| Elektrolytlösung (KCl 3M), 125 mL | LZW9510.99 |
| Elektrolytlösung (KCl 3M), 250 mL | LZW9500.99 |
| Elektrolytlösung (KCl 3M), 50 mL | LZW9509.99 |
| Elektrolytlösung 0,1 M, 125 mL | LZW9901.99 |
| Enzymlösung | 2964349 |
| Pepsin-Reinigungslösung | 2964349 |
| Elektrodenreinigungslösung | 2965249 |
| 0,1 N HCl-Lösung | 1481253 |

Zubehör

| Beschreibung | Bestellnr. |
|---|------------|
| Magnetrührer mit Sensorhalter, für sensION+ MM Benchtop | LZW9319.99 |
| 3x50 mL bedruckte Becher für Benchtop pH-Kalibrierung | LZW9110.98 |
| Halter für drei Sensoren, für sensION+ Benchtop-Geräte | LZW9321.99 |
| Halter und Klammer für drei Sensoren | LZW9155.99 |
| Pyrex-Glaskammer, kontinuierliche Flussmessung | LZW9118.99 |
| PP-Schutz, Elektrodenaufbewahrung | LZW9161.99 |

Standardlösungen

Technische Pufferlösungen (DIN 19267)

pH- und ORP- (mV) Werte spezifischer Puffersätze bei variierenden Temperaturen finden Sie unter [Tabelle 4](#).

Tabelle 4 pH-, ORP- (mV) und Temperaturwerte

| Temperatur | | pH | | | | | mV |
|------------|-----------|-------------|-------------|-------------|-------------|--------------|------------|
| °C | °F | | | | | | |
| 0 | 32 | 2,01 | 4,01 | 7,12 | 9,52 | 10,30 | — |
| 10 | 50 | 2,01 | 4,00 | 7,06 | 9,38 | 10,17 | 245 |
| 20 | 68 | 2,00 | 4,00 | 7,02 | 9,26 | 10,06 | 228 |
| 25 | 77 | 2,00 | 4,01 | 7,00 | 9,21 | 10,01 | 220 |
| 30 | 86 | 2,00 | 4,01 | 6,99 | 9,16 | 9,96 | 212 |
| 40 | 104 | 2,00 | 4,03 | 6,97 | 9,06 | 9,88 | 195 |
| 50 | 122 | 2,00 | 4,06 | 6,97 | 8,99 | 9,82 | 178 |
| 60 | 140 | 2,00 | 4,10 | 6,98 | 8,93 | 9,76 | 160 |
| 70 | 158 | 2,01 | 4,16 | 7,00 | 8,88 | — | — |

Tabelle 4 pH-, ORP- (mV) und Temperaturwerte (fortgesetzt)

| Temperatur | | pH | | | | | mV |
|------------|-----|------|------|------|------|---|----|
| °C | °F | | | | | | |
| 80 | 176 | 2,01 | 4,22 | 7,04 | 8,83 | — | — |
| 90 | 194 | 2,01 | 4,30 | 7,09 | 8,79 | — | — |

Dati tecnici

I dati tecnici sono soggetti a modifica senza preavviso.

| Specifiche | Dettagli |
|---|--|
| Dimensioni | 35 x 20 x 11 cm (13,78 x 7,87 x 4,33 pollici) |
| Peso | 1100 g (2,43 lb) |
| Dispositivo di misurazione | IP42 |
| Requisiti di alimentazione (esterna) | 100-240 V, 0,4 A, 47-63 Hz |
| Classe di protezione dello strumento | Classe II |
| Temperatura di stoccaggio | Da -15 a +65° C (da 5 a +149° F) |
| Temperatura operativa | da 0 a 40° C (da 41 a 104° F) |
| Umidità d'esercizio | < 80% (senza condensa) |
| Risoluzione | pH: 0.01, ORP: 1 mV, temperatura: 0,1° C (0,18° F) |
| Errore misure (± 1 cifra) | pH: ≤ 0.01, ORP: ≤ 1 mV, temperatura: ≤ 0,2° C (≤ 0,36° F) |
| Riproducibilità (± 1 cifra) | pH: ± 0.01, ORP: ± 1 mV, temperatura: ± 0,1° C (± 0,18° F) |
| Collegamenti | Sonda indicatore o combinata: connettore BNC (Imp. >10 ¹² Ω); elettrodo di riferimento: connettore a banana; tipo A.T.C. Pt 1000: connettore a banana o telefonico; miscelatore magnetico: connettore RCA |
| Correzione della temperatura | Manuale, sonda temperatura Pt 1000 (A.T.C.), sonda NTC 10 kΩ |
| Blocco di visualizzazione delle misurazioni | Misurazione continua, per stabilità |
| Display | A cristalli liquidi, retroilluminato, 128 x 64 punti |

| Specifiche | Dettagli |
|----------------|--------------------------------|
| Tastiera | PET con trattamento protettivo |
| Certificazioni | CE |

Informazioni generali

Le edizioni riviste sono presenti nel sito Web del produttore.

Informazioni sulla sicurezza

AVVISO

Il produttore non sarà da ritenersi responsabile in caso di danni causati dall'applicazione errata o dall'uso errato di questo prodotto inclusi, a puro titolo esemplificativo e non limitativo, i danni incidentali e consequenziali; inoltre declina qualsiasi responsabilità per tali danni entro i limiti previsti dalle leggi vigenti. La responsabilità relativa all'identificazione dei rischi critici dell'applicazione e all'installazione di meccanismi appropriati per proteggere le attività in caso di eventuale malfunzionamento dell'apparecchiatura compete unicamente all'utilizzatore.

Prima di disimballare, installare o utilizzare l'apparecchio, si prega di leggere l'intero manuale. Si raccomanda di leggere con attenzione e rispettare le istruzioni riguardanti note di pericolosità. La non osservanza di tali indicazioni potrebbe comportare lesioni gravi all'operatore o danni all'apparecchio.

Assicurarsi che i dispositivi di sicurezza insiti nell'apparecchio siano efficaci all'atto della messa in servizio e durante l'utilizzo dello stesso. Non utilizzare o installare questa apparecchiatura in modo diverso da quanto specificato nel presente manuale.

Indicazioni e significato dei segnali di pericolo

▲ PERICOLO

Indica una situazione di pericolo potenziale o imminente che, se non evitata, potrebbe causare lesioni gravi o la morte.

▲ AVVERTENZA

Indica una situazione di pericolo potenziale o imminente che, se non evitata, potrebbe comportare lesioni gravi, anche mortali.

▲ ATTENZIONE



Indica una situazione di pericolo potenziale che potrebbe comportare lesioni lievi o moderate.

AVVISO

Indica una situazione che, se non evitata, può danneggiare lo strumento. Informazioni che richiedono particolare attenzione da parte dell'utente.

Etichette di avvertimento

Leggere tutte le etichette presenti sullo strumento. La mancata osservanza delle stesse può causare lesioni personali o danni allo strumento. A ogni simbolo riportato sullo strumento corrisponde un'indicazione di pericolo o di avvertenza nel manuale.

| | |
|--|--|
|  | Tale simbolo, se apposto sullo strumento, fa riferimento al manuale delle istruzioni per il funzionamento e/o informazioni sulla sicurezza. |
|  | Le apparecchiature elettriche contrassegnate con questo simbolo non possono essere smaltite attraverso sistemi domestici o pubblici europei. Restituire le vecchie apparecchiature al produttore il quale occuperà gratuitamente del loro smaltimento. |

Panoramica del prodotto

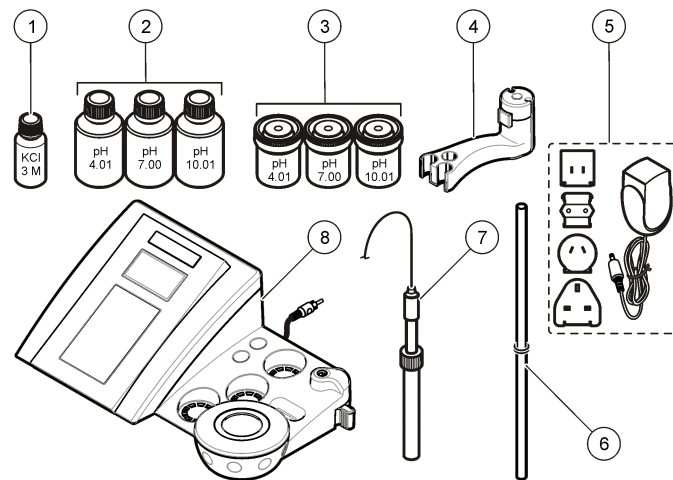
I dispositivi di misurazione sensION™+ vengono utilizzati con le sonde per misurare diversi parametri dell'acqua.

Con il dispositivo di misurazione sensION™+ PH3 è possibile misurare pH, ORP (mV) o temperatura.

Componenti del prodotto

Fare riferimento alla [Figura 1](#) per accertarsi che la confezione sia completa. In caso manchi un componente o si notino dei danni, contattare immediatamente il produttore o il rappresentante.

Figura 1 Componenti dello strumento

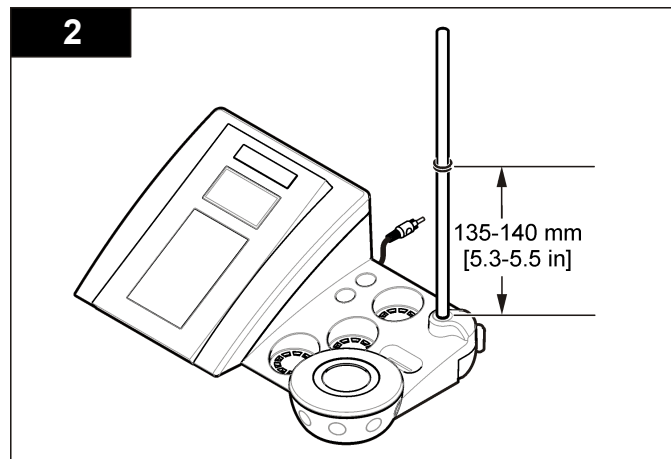
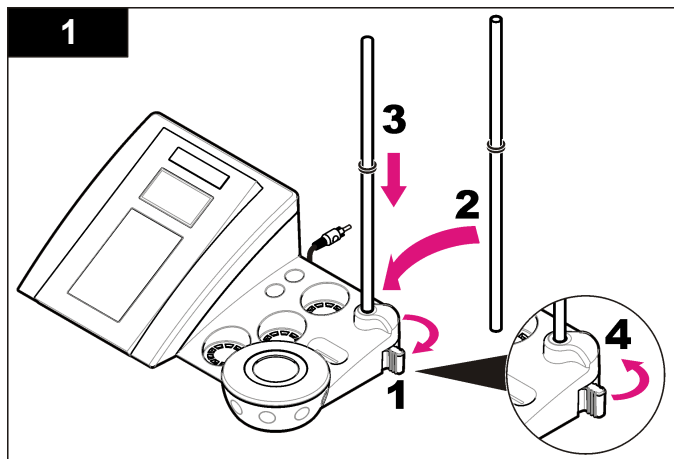


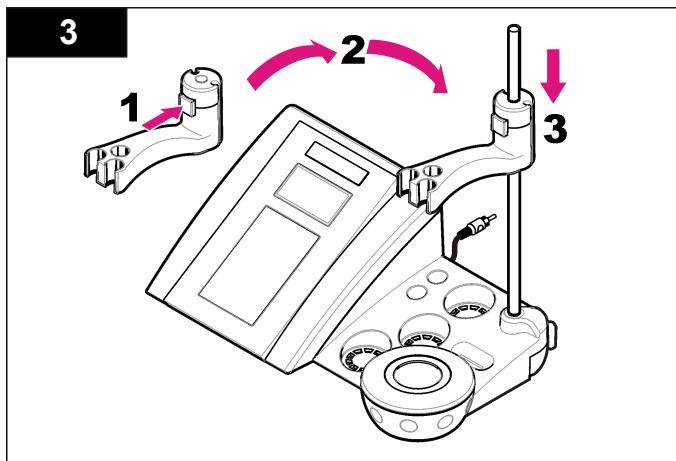
| | |
|---|----------------------------------|
| 1 Elettrolita della sonda | 5 Alimentatore |
| 2 Soluzioni tampone (pH 4,01, pH 7,00 e pH 10,01) | 6 Asta con o-ring |
| 3 Beker di calibrazione (con barra magnetica integrata) | 7 Sonda (inclusa solo con i kit) |
| 4 Supporto della sonda | 8 Dispositivo di misurazione |

Installazione

Montaggio del supporto della sonda

Seguire la procedura numerata per montare il supporto della sonda e collegare il miscelatore magnetico.





Connettersi all'alimentazione CA

⚠ PERICOLO

Rischio di scossa elettrica. Se questo apparecchio viene usato all'esterno o in posizioni potenzialmente umide, è necessario utilizzare un interruttore automatico differenziale per collegare l'apparecchio alla sorgente di alimentazione principale.

Il dispositivo può essere alimentato da un alimentatore CA con adattatore di corrente universale.

1. Selezionare l'adattatore corretto per la presa di corrente dal kit degli adattatori.
2. Collegare l'adattatore di corrente universale al dispositivo (Figura 2).
3. Collegare l'adattatore di corrente universale a una presa CA (Figura 3).
4. Accendere lo strumento.

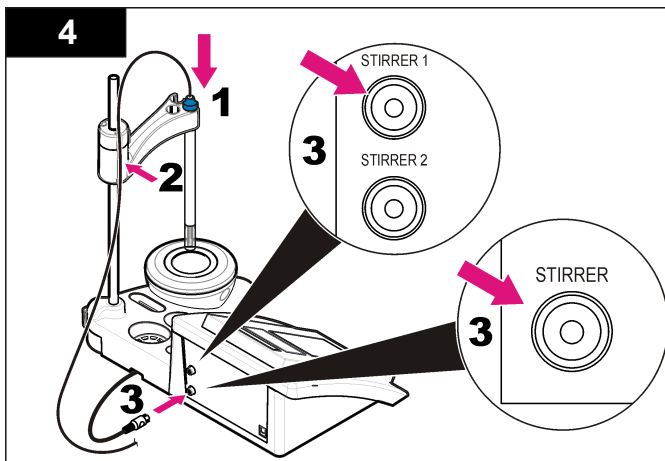
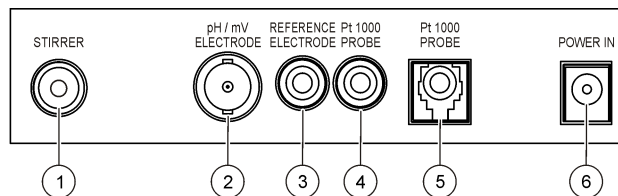
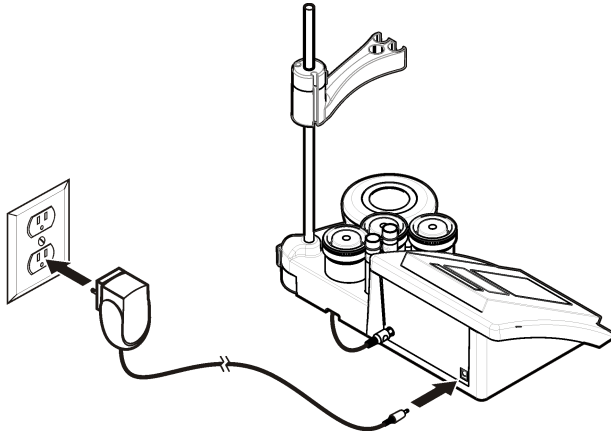


Figura 2 Pannello dei collegamenti



| | |
|---|---|
| 1 Connettore del miscelatore magnetico | 4 Connettore della sonda della temperatura |
| 2 Connettore dell'elettrodo (o indicatore) pH combinato | 5 Connettore della sonda della temperatura separata |
| 3 Connettore dell'elettrodo di riferimento (elettrodi separati) | 6 Alimentatore |

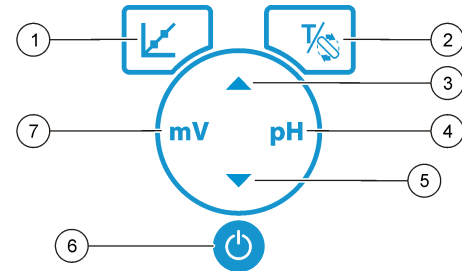
Figura 3 Collegamento dell'alimentazione CA



Interfaccia utente e navigazione

Interfaccia utente

Descrizione della tastiera

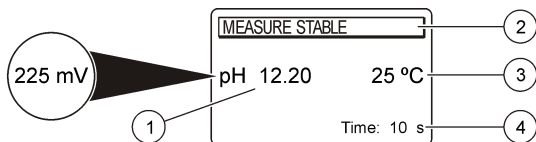


| | |
|--|---|
| <p>1 Tasto CALIBRATION (Calibrazione): per avviare una calibrazione, visualizzare i dati di una calibrazione e modificare la frequenza della calibrazione</p> | <p>5 Tasto DOWN (Giù): per scorrere le altre opzioni, modificare un valore</p> |
| <p>2 Tasto TEMPERATURE (Temperatura) e STIRRER (Miscelatore): per cambiare la temperatura (°C, °F) o la velocità di miscelazione</p> | <p>6 ON/OFF: accensione o spegnimento del dispositivo</p> |
| <p>3 Tasto UP (Su): per scorrere le altre opzioni, modificare un valore</p> | <p>7 Tasto mV measurement (Misurazione mV): per avviare una misurazione del valore di ORP (mV)</p> |
| <p>4 Tasto pH measurement (Misurazione pH): per avviare la misurazione del pH</p> | |

Descrizione del display




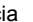
Il display del dispositivo di misurazione mostra concentrazione, unità, temperatura, stato della calibrazione, data e ora.

Figura 4 Display a schermata singola



| | |
|---|--------------------------------------|
| 1 Unità di misura e valore (pH, ORP (mV)) | 3 Temperatura del campione (°C o °F) |
| 2 Modalità di misurazione o data e ora | 4 Timer di misurazione visivo |

Navigazione


Utilizzare il tasto di calibrazione  per calibrare la sonda. Utilizzare il tasto dei parametri per effettuare una misurazione del campione. Utilizzare il tasto TEMPERATURE (TEMPERATURA) e STIRRER (MISCELATORE)  per cambiare la temperatura (°C, °F) o la velocità di miscelazione. Utilizzare i tasti freccia   per passare ad altre opzioni o per cambiare un valore. Osservare il display durante le operazioni, dal momento che le schermate cambiano velocemente. Fare riferimento alle singole operazioni per istruzioni specifiche.

Avvio

Accendere e spegnere il dispositivo di misura

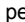
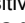
AVVISO

Prima di accendere il dispositivo di misura, accertarsi che la sonda sia collegata ad esso.

Tenere premuto  per accendere o spegnere il dispositivo di misura. Se il dispositivo di misura non si accende, accertarsi che l'alimentatore CA sia collegato adeguatamente a una presa elettrica.

Cambiare la lingua

La lingua di visualizzazione viene selezionata quando lo strumento viene acceso per la prima volta.


Utilizzare  o  per selezionare una lingua dall'elenco. Dopo 3 secondi, sul dispositivo di misura viene automaticamente visualizzata di nuovo la schermata di misura.

Nota:  Per modificare la lingua dal menu principale, premere .

Funzionamento standard

Calibrazione

⚠ PERICOLO







Pericolo di esposizione ad agenti chimici. Rispettare le procedure di sicurezza del laboratorio e indossare tutte le apparecchiature protettive appropriate per le sostanze chimiche utilizzate. Fare riferimento alle attuali schede di sicurezza (MSDS/SDS) per i protocolli di sicurezza.

Procedura di calibrazione

Questa procedura si applica alle soluzioni di calibrazione dei liquidi di uso generale. Per ulteriori informazioni, fare riferimento ai documenti allegati a ciascuna sonda.



Nota: Durante la calibrazione le soluzioni devono essere miscelate. Per ulteriori informazioni sulle impostazioni di miscelazione, vedere [Modifica delle impostazioni di miscelazione](#) a pagina 34.

1. Versare le soluzioni tampone o di calibrazione nei beker per la calibrazione etichettati.
2. Premere  nel menu principale per selezionare la calibrazione di pH o mV.
3. Risciacquare la sonda con acqua deionizzata e inserirla nel primo beker per la calibrazione. Accertarsi che non vi siano bolle d'aria nella membrana.
4. Premere  per effettuare la misura della prima soluzione di calibrazione. Viene mostrata la soluzione di calibrazione successiva.

- Risciacquare la sonda con acqua deionizzata e inserirla nel secondo beker per la calibrazione. Accertarsi che non vi siano bolle d'aria nella membrana.
- Premere  per effettuare la misura della seconda soluzione di calibrazione.
Viene mostrata la soluzione di calibrazione successiva.
- Risciacquare la sonda con acqua deionizzata e inserirla nel terzo beker per la calibrazione. Accertarsi che non vi siano bolle d'aria nella membrana.
- Premere  per effettuare la misura della terza soluzione di calibrazione.
Se la calibrazione riesce, il display visualizza brevemente 3a soluzione tampone OK e torna quindi al menu principale.

Visualizzazione dei dati di calibrazione





È possibile visualizzare i dati della calibrazione più recente.

- Premere  nel menu principale.
- Utilizzare  per visualizzare i dati dell'ultima calibrazione. Dopo 3 secondi, sul dispositivo di misura viene nuovamente visualizzata la schermata di misura.

Impostazione del promemoria di calibrazione

È possibile impostare il promemoria della calibrazione tra 0 e 23 ore o tra 1 e 7 giorni (l'impostazione predefinita è 1 giorno). Sullo schermo viene visualizzato il tempo che manca alla calibrazione successiva.

Nota: Quando si seleziona 0 giorni, il promemoria di calibrazione viene disattivato.

- Nel menu principale premere , quindi  fino a visualizzare Frequenza cal.
- Utilizzare  o  per modificare il valore.
Dopo 3 secondi, sul dispositivo di misura viene automaticamente visualizzata di nuovo la schermata di misura.

Misure dei campioni

Ogni sonda prevede specifiche procedure di preparazione per effettuare le misure dei campioni. Per le istruzioni, consultare i documenti allegati alla sonda.

Nota: Durante la misura le soluzioni devono essere miscelate. Per ulteriori informazioni sulle impostazioni di miscelazione, vedere [Modifica delle impostazioni di miscelazione a pagina 34](#).

Nota: Durante la misura ORP (mV) la temperatura non viene mostrata se la sonda di temperatura non è collegata.

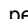




Premere pH o ORP (mV) per effettuare la misura di un campione. Durante le misure, il parametro lampeggia e il timer mostra il tempo di stabilizzazione. Per modificare il parametro di misura (se applicabile), tenere premuto pH o ORP (mV).

Per effettuare una misura continua del campione, premere pH o ORP (mV) per avviare la misura, quindi premere nuovamente pH o ORP (mV) durante la stabilizzazione. Il parametro lampeggia per indicare la modalità di misura continua.

Operazioni avanzate

Cambiamento della data e dell'ora

La data e l'ora possono essere modificate dal menu Data/Ora.


- Utilizzare  per accedere al menu Data/Ora. Il formato di data e ora: gg-mm-aaaa 24h.
L'attributo da modificare viene automaticamente evidenziato e, se non si preme  o , procede all'attributo successivo.
- Per modificare un attributo, premere  o  quando è selezionato l'attributo evidenziato.
La data e l'ora corrente vengono visualizzate sul display.

Regolazione del contrasto dello schermo

1. Premere contemporaneamente ▲ e ▼ per accedere al menu Contrasto display.
2. Utilizzare ▲ o ▼ per regolare il contrasto dello schermo. Dopo 3 secondi, sul dispositivo di misura viene automaticamente visualizzata di nuovo la schermata di misura.



Modifica delle impostazioni di miscelazione

È possibile modificare la velocità di miscelazione durante la calibrazione e durante una misurazione.

1. Premere  durante una calibrazione o una misurazione per accedere al menu della miscelazione.
2. Utilizzare ▲ o ▼ per modificare la velocità di miscelazione in %.

Modifica delle unità di temperatura

È possibile modificare le unità di temperatura in Celsius o Fahrenheit.

1. Nella schermata principale premere .
2. Premere  per scegliere Celsius o Fahrenheit.

Manutenzione

▲ ATTENZIONE



Pericoli multipli. Gli interventi descritti in questa sezione del documento devono essere eseguiti solo da personale qualificato.

AVVISO

Non smontare lo strumento per operazioni di manutenzione. Se è necessario pulire o riparare i componenti interni, contattare il produttore.

Pulizia dello strumento

AVVISO

Non utilizzare mai prodotti detergenti quali trementina, acetone o prodotti simili per pulire lo strumento, inclusi display e accessori.

Pulire la parte esterna dello strumento con un panno umido e una soluzione detergente delicata.

Pulizia della sonda

Pulire la sonda in base alle necessità. Per ulteriori informazioni sulla pulizia, fare riferimento a [Individuazione ed eliminazione dei guasti](#) a pagina 36. Per informazioni sulla manutenzione della sonda, consultare la relativa documentazione.

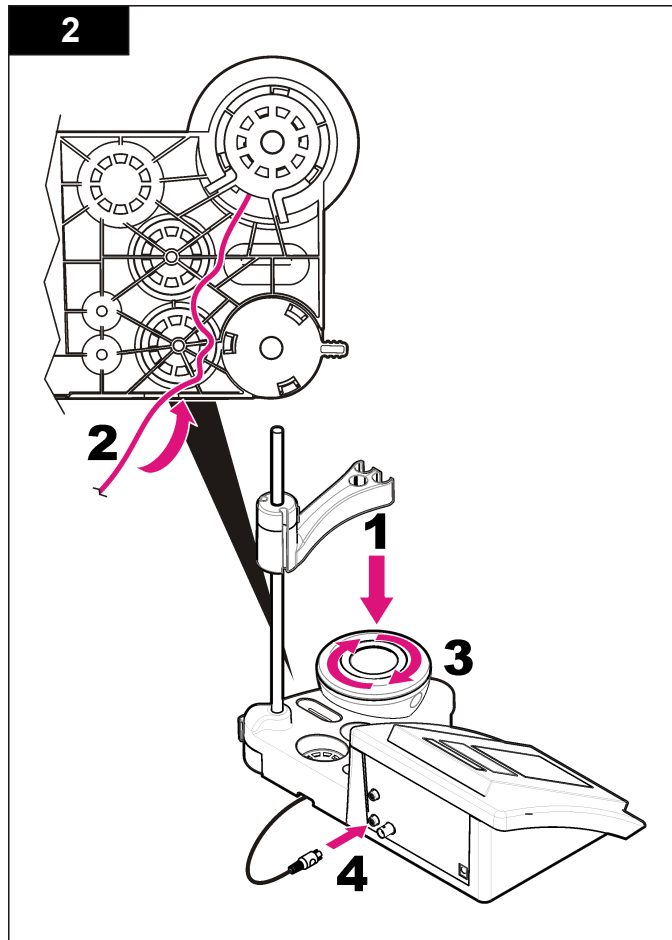
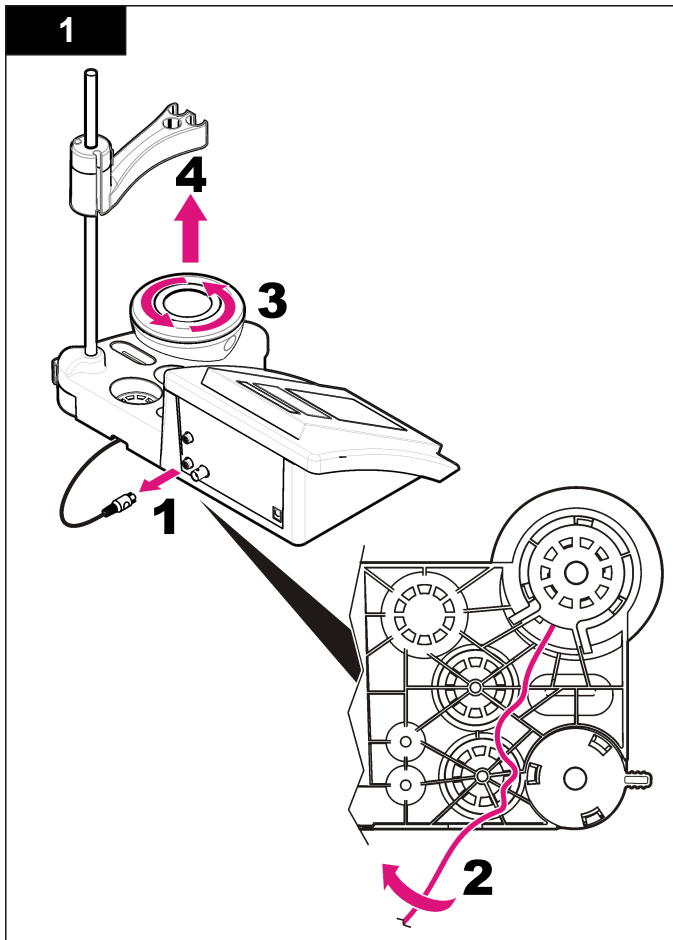
Utilizzare i detergenti riportati in [Tabella 1](#) per le contaminazioni della sonda del pH.

Tabella 1 Detergenti per la sonda del pH

| Contaminazione | Detergente |
|----------------|---|
| Proteine | Soluzione detergente di pepsina |
| Grassi, oli | Soluzione detergente per elettrodi |
| Calcare | Soluzione 0,1 di NH_4Cl |

Sostituzione del miscelatore magnetico

Se il miscelatore magnetico non si attiva, seguire la procedura numerata per sostituirlo.



Individuazione ed eliminazione dei guasti

Consultare la seguente tabella per messaggi o sintomi relativi a problemi comuni, possibili cause e azioni correttive.

Tabella 2 Avvisi ed errori di calibrazione




| Errore/Avviso | Soluzione |
|---|---|
| Asymmetry > 58 mV (Asimmetria > 58 mV) | Pendenza fuori gamma (valori accettati ± 58 mV). Ripetere con  . Collegare una sonda nuova. |
| Buffer or electrode in poor conditions (Tampone o elettrodo in cattive condizioni) | Ripetere con  . Esaminare la sonda: pulire la sonda (per ulteriori informazioni, fare riferimento a Pulizia della sonda a pagina 34), accertarsi che nella membrana non siano presenti bolle d'aria. Scuotere la sonda come un termometro; collegare un'altra sonda per verificare se il problema riguarda la sonda o il dispositivo di misurazione. |
| Sens. (a) < 70% | Esaminare la soluzione tampone: accertarsi che la soluzione utilizzata corrisponda a quella specificata nella configurazione; controllare la specifica della temperatura nella configurazione; utilizzare una soluzione tampone nuova. |
| BUFFER NOT RECOGNIZED (Soluzione tampone non riconosciuta) | Esaminare la soluzione tampone: accertarsi che la soluzione utilizzata corrisponda a quella specificata nella configurazione; controllare la specifica della temperatura nella configurazione; utilizzare una soluzione tampone nuova. |
| UNSTABLE READING (Lettura instabile) Time t > 100 s (Tempo t > 100 s) | Ripetere con  . Esaminare la sonda: pulire la sonda (per ulteriori informazioni, fare riferimento a Pulizia della sonda a pagina 34), accertarsi che nella membrana non siano presenti bolle d'aria. Scuotere la sonda come un termometro; collegare un'altra sonda per verificare se il problema riguarda la sonda o il dispositivo di misurazione. Accertarsi che la membrana e il diaframma siano correttamente immersi nel campione. |

Tabella 2 Avvisi ed errori di calibrazione (continua)



| Errore/Avviso | Soluzione |
|--|---|
| Electrode in poor conditions (Elettrodo in cattive condizioni) | Esaminare la sonda: pulire la sonda (per ulteriori informazioni, fare riferimento a Pulizia della sonda a pagina 34), accertarsi che nella membrana non siano presenti bolle d'aria. Scuotere la sonda come un termometro; collegare un'altra sonda per verificare se il problema riguarda la sonda o il dispositivo di misurazione. |
| Check the electrode (Controllare l'elettrodo) | Ripetere con  . |
| SAME BUFFERS (Soluzioni tampone identiche) | Ripetere con  . Esaminare la sonda: pulire la sonda (per ulteriori informazioni, fare riferimento a Pulizia della sonda a pagina 34), accertarsi che nella membrana non siano presenti bolle d'aria. Scuotere la sonda come un termometro; collegare un'altra sonda per verificare se il problema riguarda la sonda o il dispositivo di misurazione. Esaminare la soluzione tampone: utilizzare una soluzione tampone nuova. |

Tabella 3 Avvisi ed errori di misurazione


| Errore/Avviso | Soluzione |
|----------------------------------|--|
| pH 12,78 19° C | Ripetere con  . |
| pH out of range (pH fuori scala) | Esaminare la sonda: pulire la sonda (per ulteriori informazioni, fare riferimento a Pulizia della sonda a pagina 34), accertarsi che nella membrana non siano presenti bolle d'aria. Scuotere la sonda come un termometro; collegare un'altra sonda per verificare se il problema riguarda la sonda o il dispositivo di misurazione. |

Tabella 3 Avvisi ed errori di misurazione (continua)

| Errore/Avviso | Soluzione |
|--|--|
| Temp out of range °C (Temp fuori scala) | Esaminare il sensore della temperatura. Collegare un'altra sonda per verificare se il problema riguarda la sonda o lo strumento. |
| Time t> 150 s (Tempo t> 150 s) | Accertarsi che la membrana e il diaframma siano correttamente immersi nel campione. Esaminare la temperatura. Esaminare la sonda: pulire la sonda (per ulteriori informazioni, fare riferimento a Pulizia della sonda a pagina 34), accertarsi che nella membrana non siano presenti bolle d'aria. Scuotere la sonda come un termometro; collegare un'altra sonda per verificare se il problema riguarda la sonda o il dispositivo di misurazione. |

Parti di ricambio e accessori

Nota: Numeri di Prodotti e Articoli possono variare per alcune regioni di vendita. Contattare il distributore appropriato o fare riferimento al sito Web dell'azienda per dati di contatto.

Parti di ricambio

| Descrizione | Articolo n. |
|--|-----------------|
| sensION+ PH3 Lab pHmetro con accessori, senza sonda | LPV2000.98.0002 |
| sensION+ PH31 Lab pHmetro, GLP, con accessori, senza sonda | LPV2100.98.0002 |
| sensION+ MM340 Lab pHmetro e ionometro, GLP, a 2 canali, con accessori, senza sonda | LPV2200.98.0002 |
| sensION+ EC7 Lab misuratore di conducibilità, con accessori, senza sonda | LPV3010.98.0002 |
| sensION+ EC71 Lab misuratore di conducibilità, GLP, con accessori, senza sonda | LPV3110.98.0002 |
| sensION+ MM374, dispositivo di misurazione a 2 canali, GLP, con accessori, senza sonde | LPV4110.98.0002 |

Materiali di consumo

| Descrizione | Articolo n. |
|--|-------------|
| Soluzione tampone pH 4,01, 125 mL | LZW9460.99 |
| Soluzione tampone pH 7,00, 125 mL | LZW9461.98 |
| Soluzione tampone pH 10,01, 125 mL | LZW9470.99 |
| Soluzione tampone pH 4,01, 250 mL | LZW9463.99 |
| Soluzione tampone pH 7,00, 250 mL | LZW9464.98 |
| Soluzione tampone pH 10,01, 250 mL | LZW9471.99 |
| Soluzione tampone pH 4,01, 1000 mL | LZW9466.99 |
| Soluzione tampone pH 7,00, 1000 mL | LZW9467.98 |
| Soluzione tampone pH 10,01, 1000 mL | LZW9472.99 |
| Soluzione elettrolitica (KCl 3M), 125 mL | LZW9510.99 |
| Soluzione elettrolitica (KCl 3M), 250 mL | LZW9500.99 |
| Soluzione elettrolitica (KCl 3M), 50 mL | LZW9509.99 |
| Soluzione elettrolitica 0,1 M, 125 mL | LZW9901.99 |
| Soluzione enzimatica | 2964349 |
| Soluzione detergente di pepsina | 2964349 |
| Soluzione detergente per elettrodi | 2965249 |
| Soluzione 0,1 di NhCl | 1481253 |

Accessori

| Descrizione | Articolo n. |
|---|-------------|
| Miscelatore magnetico con supporto sensore, per sensION+ MM da tavolo | LZW9319.99 |
| 3x50 mL beker graduati per calibrazione pH da tavolo | LZW9110.98 |
| Supporto tre sensori, per dispositivi sensION+ da tavolo | LZW9321.99 |

Accessori (continua)

| Descrizione | Articolo n. |
|--|-------------|
| Supporto e pinza per tre sensori | LZW9155.99 |
| Camera in vetro pyrex, misurazioni flusso continuo | LZW9118.99 |
| Protezione PP, conservazione elettrodo | LZW9161.99 |

Soluzioni standard

Soluzioni tampone tecniche (DIN 19267)

Fare riferimento ai valori di pH e ORP (mV) in [Tabella 4](#) per i gruppi di soluzioni tampone specifiche a diverse temperature.

Tabella 4 Valori di pH, ORP (mV) e temperatura

| Temperatura | | pH | | | | | mV |
|-------------|-----------|-------------|-------------|-------------|-------------|--------------|------------|
| °C | °F | | | | | | |
| 0 | 32 | 2,01 | 4,01 | 7,12 | 9,52 | 10,30 | — |
| 10 | 50 | 2,01 | 4,00 | 7,06 | 9,38 | 10,17 | 245 |
| 20 | 68 | 2,00 | 4,00 | 7,02 | 9,26 | 10,06 | 228 |
| 25 | 77 | 2,00 | 4,01 | 7,00 | 9,21 | 10,01 | 220 |
| 30 | 86 | 2,00 | 4,01 | 6,99 | 9,16 | 9,96 | 212 |
| 40 | 104 | 2,00 | 4,03 | 6,97 | 9,06 | 9,88 | 195 |
| 50 | 122 | 2,00 | 4,06 | 6,97 | 8,99 | 9,82 | 178 |
| 60 | 140 | 2,00 | 4,10 | 6,98 | 8,93 | 9,76 | 160 |
| 70 | 158 | 2,01 | 4,16 | 7,00 | 8,88 | — | — |
| 80 | 176 | 2,01 | 4,22 | 7,04 | 8,83 | — | — |
| 90 | 194 | 2,01 | 4,30 | 7,09 | 8,79 | — | — |

Caractéristiques

Les caractéristiques techniques peuvent être modifiées sans préavis.

| Caractéristique | Détails |
|--------------------------------------|--|
| Dimensions | 35 x 20 x 11 cm (13,78 x 7,87 x 4,33 po) |
| Poids | 1 100 g (2,43 lb) |
| Boîtier de l'appareil | IP42 |
| Alimentation (externe) | 100–240 V, 0,4 A, 47-63 Hz |
| Classe de protection de l'instrument | Classe II |
| Température de stockage | –15 à +65 °C (5 à +149 °F) |
| Température de fonctionnement | 0 à 40 °C (41 à 104 °F) |
| Humidité de fonctionnement | < 80 % (sans condensation) |
| Résolution | pH : 0,01, ORP : 1 mV, température : 0,1 °C (0,18 °F) |
| Erreur de mesure (± 1 chiffre) | pH : ≤ 0,01, ORP : ≤ 1 mV, température : ≤ 0,2 °C (≤ 0,36 °F) |
| Reproductibilité (± 1 chiffre) | pH : ± 0,01, ORP : ± 1 mV, température : ± 0,1 °C (± 0,18 °F) |
| Connexions | Sonde d'indicateur ou combinée : connecteur BNC (imp. > 10 ¹² Ω) ; électrode de référence : connecteur banane ; type A.T.C. Pt 1000 : connecteur banane ou téléphonique ; agitateur magnétique : connecteur RCA |
| Correction de température | Manuelle, sonde de température Pt 1000 (A.T.C.), sonde NTC 10 kΩ |
| Verrouillage d'affichage de mesure | Mesure continue, par stabilité |
| Afficheur | Cristal liquide, rétroéclairé, 128 x 64 points |

| Caractéristique | Détails |
|-----------------|-----------------------------------|
| Clavier | PET avec traitement de protection |
| Certification | CE |

Généralités

Les éditions révisées se trouvent sur le site Internet du fabricant.

Consignes de sécurité

AVIS

Le fabricant décline toute responsabilité quant aux dégâts liés à une application ou un usage inappropriés de ce produit, y compris, sans toutefois s'y limiter, des dommages directs ou indirects, ainsi que des dommages consécutifs, et rejette toute responsabilité quant à ces dommages dans la mesure où la loi applicable le permet. L'utilisateur est seul responsable de la vérification des risques d'application critiques et de la mise en place de mécanismes de protection des processus en cas de défaillance de l'équipement.

Veillez lire l'ensemble du manuel avant le déballage, la configuration ou la mise en fonctionnement de cet appareil. Respectez toutes les déclarations de prudence et d'attention. Le non-respect de cette procédure peut conduire à des blessures graves de l'opérateur ou à des dégâts sur le matériel.

Assurez-vous que la protection fournie avec cet appareil n'est pas défaillante. N'utilisez ni n'installez cet appareil d'une façon différente de celle décrite dans ce manuel.

Interprétation des indications de risques

▲ DANGER

Indique une situation de danger potentiel ou imminent qui, si elle n'est pas évitée, entraîne des blessures graves, voire mortelles.

▲ AVERTISSEMENT

Indique une situation de danger potentiel ou imminent qui, si elle n'est pas évitée, peut entraîner des blessures graves, voire mortelles.

⚠ ATTENTION



Indique une situation de danger potentiel qui peut entraîner des blessures mineures ou légères.

AVIS

Indique une situation qui, si elle n'est pas évitée, peut occasionner l'endommagement du matériel. Informations nécessitant une attention particulière.

Étiquettes de mise en garde

Lisez toutes les étiquettes et tous les repères apposés sur l'instrument. Des personnes peuvent se blesser et le matériel peut être endommagé si ces instructions ne sont pas respectées. Un symbole sur l'appareil est désigné dans le manuel avec une instruction de mise en garde.

| | |
|--|--|
|  | Si l'appareil comporte ce symbole, reportez-vous au manuel d'utilisation pour consulter les informations de fonctionnement et de sécurité. |
|  | Le matériel électrique portant ce symbole ne doit pas être mis au rebut dans les réseaux domestiques ou publics européens. Retournez le matériel usé ou en fin de vie au fabricant pour une mise au rebut sans frais pour l'utilisateur. |

Présentation du produit

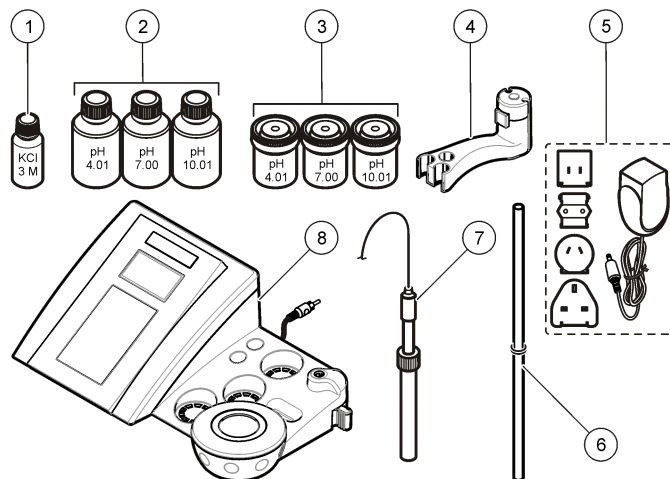
Les appareils de mesure de la série ION™+ s'utilisent avec des sondes pour mesurer différents paramètres dans l'eau.

L'appareil de mesure sensION™+ PH3 mesure le pH, l'ORP (mV) et la température.

Composants du produit

Consultez la [Figure 1](#) pour vous assurer que tous les éléments ont bien été reçus. Si des éléments manquent ou sont endommagés, contactez immédiatement le fabricant ou un représentant commercial.

Figure 1 Composants de l'appareil

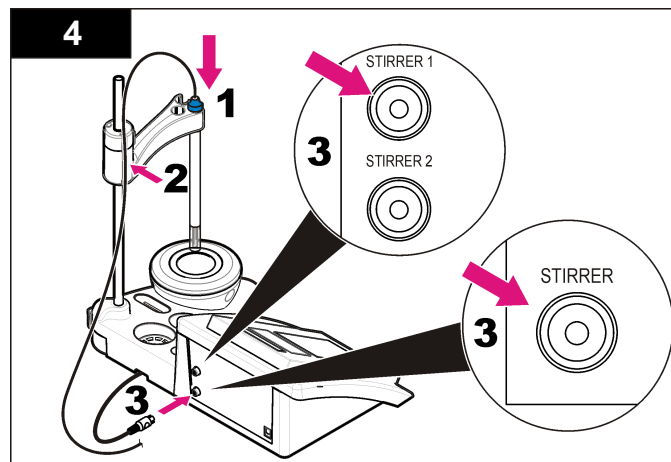
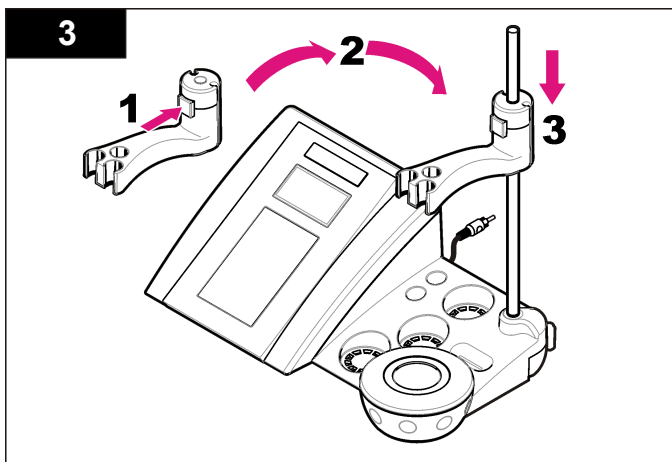
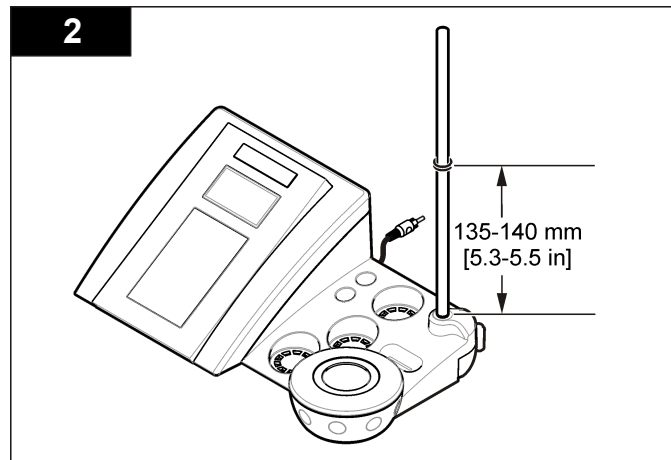
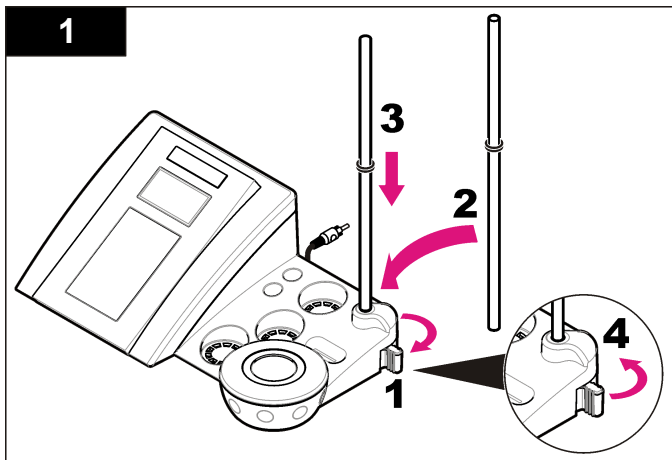


| | |
|--|---|
| 1 Electrolyte pour la sonde | 5 Alimentation |
| 2 Solutions tampons (pH 4,01, pH 7,00 et pH 10,01) | 6 Tige avec joint torique |
| 3 Bêchers d'étalonnage (avec barre magnétique) | 7 Sonde (comprise uniquement dans les kits) |
| 4 Support de sonde | 8 Appareil de mesure |

Installation

Monter le support de sonde

Suivez les étapes numérotées afin de monter le support de sonde et de brancher l'agitateur magnétique.



Branchement sur alimentation CA

⚠ DANGER

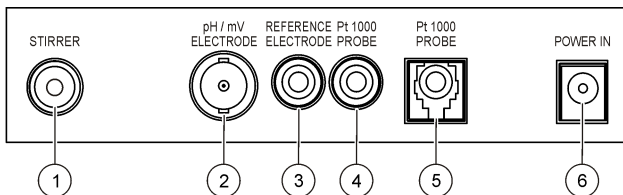


Risque d'électrocution Si cet équipement est utilisé à l'extérieur ou dans des lieux potentiellement humides, un disjoncteur de fuite à la terre (GFCI/GFI) doit être utilisé pour le branchement de l'équipement à sa source d'alimentation secteur.

L'appareil de mesure peut être alimenté sur secteur à l'aide d'un adaptateur d'alimentation universel.

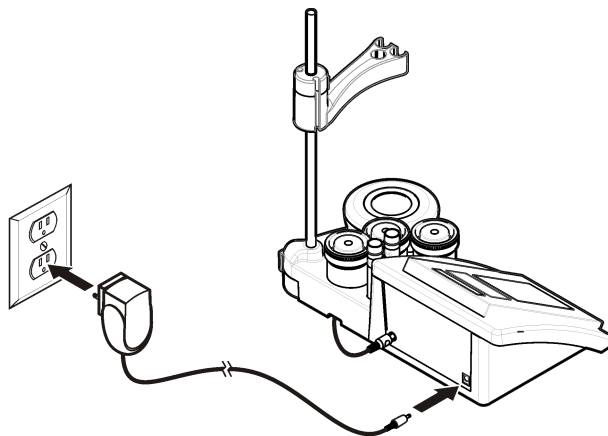
1. Sélectionnez la fiche d'adaptateur appropriée à la prise électrique dans le kit adaptateur.
2. Branchez l'adaptateur d'alimentation universel à l'appareil (Figure 2).
3. Branchez l'adaptateur d'alimentation universel à une prise CA (Figure 3).
4. Allumez l'appareil.

Figure 2 Panneau des connecteurs



| | |
|--|---|
| 1 Connecteur de l'agitateur magnétique | 4 Connecteur de la sonde de température |
| 2 Connecteur de l'électrode (ou indicateur) pH combinée | 5 Connecteur de la sonde de température séparée |
| 3 Connecteur de l'électrode de référence (électrodes séparées) | 6 Alimentation |

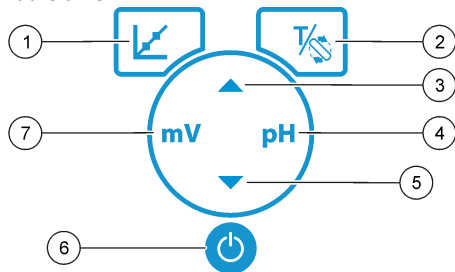
Figure 3 Branchement sur alimentation CA



Interface utilisateur et navigation

Interface utilisateur

Description du clavier

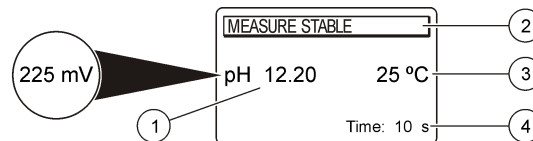


| | |
|---|---|
| 1 Touche CALIBRATION (ETALONNAGE) : permet de lancer l'étalonnage, d'afficher les données d'étalonnage et de modifier la fréquence d'étalonnage | 5 Touche BAS : permet de faire défiler les autres options ou de modifier une valeur |
| 2 Touche TEMPERATURE/STIRRER (TEMPRATURE/AGITATEUR) : permet de modifier la température (°C, °F) ou la vitesse de brassage | 6 MARCHE/ARRET : allumage ou extinction de l'appareil |
| 3 Touche HAUT : permet de faire défiler les autres options ou de modifier une valeur | 7 Touche de mesure mV : permet de lancer une mesure ORP (mV) |
| 4 Touche de mesure du pH : permet de lancer une mesure de pH | |

Description de l'affichage




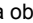
L'affichage de l'appareil de mesure indique la concentration, les unités, la température, l'état d'étalonnage, la date et l'heure.

Figure 4 Affichage sur écran unique



| | |
|--|--|
| 1 Unité de mesure et valeur (pH, ORP (mV)) | 3 Température d'échantillon (°C ou °F) |
| 2 Mode de mesure ou date et heure | 4 Minuteur visuel de mesure |

Navigation


Utilisez la touche d'étalonnage  pour étalonner la sonde. Utilisez la touche de paramétrage pour mesurer un échantillon. Utilisez les touches TEMPERATURE et STIRRER (TEMPERATURE et AGITATEUR)  pour modifier la température (°C, °F) ou la vitesse de brassage. Utilisez les touches fléchées   pour accéder à d'autres options ou modifier une valeur. Veillez à observer l'écran pendant les tâches car les écrans changent rapidement. Consultez les instructions spécifiques à chaque tâche.

Mise en marche

Allumage et extinction de l'appareil de mesure

AVIS

Veillez à ce que la sonde soit connectée à l'appareil de mesure avant d'allumer l'appareil de mesure.

Appuyez sur la touche  pour allumer ou éteindre l'appareil de mesure. Si l'appareil ne s'allume pas, vérifiez que l'alimentation CA est bien branchée à une prise électrique.

Modifier la langue

La langue de l'affichage est sélectionnée au premier allumage de l'appareil.

Utilisez les touches ▲ ou ▼ pour sélectionner une langue dans la liste. Le retour à l'écran de mesure se fait automatiquement après 3 secondes.

Remarque : ▲ Pour modifier la langue à partir du menu principal, appuyez sur .

Fonctionnement standard



Étalonnage



| ▲ DANGER | |
|--|--|
|  | Risque d'exposition chimique. Respectez les procédures de sécurité du laboratoire et portez tous les équipements de protection personnelle adaptés aux produits chimiques que vous manipulez. Consultez les fiches de données de sécurité (MSDS/SDS) à jour pour connaître les protocoles de sécurité applicables. |

Procédure d'étalonnage

Cette procédure s'utilise généralement avec des solutions d'étalonnage liquides. Reportez-vous aux documents inclus avec chaque sonde pour plus d'informations.


Remarque : Les solutions doivent être brassées lors de l'étalonnage. Pour plus d'informations sur les paramètres de brassage, reportez-vous à [Modifier les paramètres de brassage](#) à la page 45.

1. Versez les solutions tampons et d'étalonnage dans les béciers d'étalonnage étiquetés.
2. Dans le menu principal, appuyez sur  pour sélectionner l'étalonnage pH ou mV.
3. Rincez la sonde à l'eau déminéralisée et placez-la dans le premier bécier d'étalonnage. Vérifiez qu'aucune bulle d'air ne s'est formée dans la membrane.
4. Appuyez sur  pour mesurer la première solution d'étalonnage. La solution d'étalonnage suivante apparaît.

5. Rincez la sonde à l'eau déminéralisée et placez-la dans le deuxième bécier d'étalonnage. Vérifiez qu'aucune bulle d'air ne s'est formée dans la membrane.
6. Appuyez sur  pour mesurer la seconde solution d'étalonnage. La solution d'étalonnage suivante apparaît.
7. Rincez la sonde à l'eau déminéralisée et placez-la dans le troisième bécier d'étalonnage. Vérifiez qu'aucune bulle d'air ne s'est formée dans la membrane.
8. Appuyez sur  pour mesurer la troisième solution d'étalonnage. Une fois l'étalonnage correct, l'écran affiche brièvement 3e tampon OK, puis repasse au menu principal.

Afficher les données d'étalonnage


Les données d'étalonnage les plus récentes peuvent être affichées.

1. Sur le menu principal, appuyez sur .
2. Utilisez ▼ pour consulter les dernières données d'étalonnage. Le retour à l'écran de mesure se fait automatiquement après 3 secondes.

Régler le rappel d'étalonnage

Le rappel d'étalonnage peut être réglé entre 0 et 23 heures, ou entre 1 et 7 jours (par défaut : 1 jour). L'écran indique le temps restant avant le prochain étalonnage.

Remarque : Lorsque 0 jour est sélectionné, le rappel d'étalonnage est désactivé.

1. Dans le menu principal, appuyez sur  puis sur ▼ jusqu'à ce que l'écran affiche Fréquence d'étal.
2. Utilisez les touches ▲ ou ▼ pour modifier la valeur. Le retour à l'écran de mesure se fait automatiquement après 3 secondes.

Mesures d'échantillon

Chaque sonde a des étapes de préparation et procédures spécifiques pour prendre les mesures d'échantillons. Pour des instructions pas à pas, se reporter aux documents inclus avec la sonde.

Remarque : Les solutions doivent être brassées lors de la prise de mesures. Pour plus d'informations sur les paramètres de brassage, reportez-vous à [Modifier les paramètres de brassage](#) à la page 45.

Remarque : Lors d'une mesure REDOX (mV), la température ne s'affiche pas si la sonde de température n'est pas connectée.

Appuyez sur pH ou REDOX (mV) pour réaliser une mesure d'échantillon. Lors des mesures, le paramètre clignote et le minuteur affiche le temps de stabilisation. Pour modifier le paramètre de mesure (le cas échéant), appuyez sur pH ou REDOX (mV) et maintenez la touche enfoncée.

Pour mesurer l'échantillon de façon continue, appuyez sur pH ou REDOX (mV) pour lancer la mesure et appuyez à nouveau sur pH ou REDOX (mV) durant la phase de stabilisation. Le paramètre clignote pour indiquer le mode de mesure continue.

Utilisation avancée

Modifier la date et l'heure

La date et l'heure sont modifiables depuis le menu Date / heure.


1. Utilisez la touche ▼ pour accéder au menu Date / heure. La date et l'heure sont au format jj-mm-aaaa 24 h. L'attribut à modifier est mis automatiquement en surbrillance et passe à l'attribut suivant si les touches ▲ ou ▼ ne sont pas activées.
2. Pour modifier un attribut, appuyez sur les touches ▲ ou ▼ lorsque l'attribut est en surbrillance. La date et l'heure en cours apparaissent sur l'écran.

Régler le contraste écran

1. Appuyez simultanément sur les touches ▲ et ▼ afin d'accéder au menu Contraste écran.
2. Utilisez les touches ▲ ou ▼ pour régler le contraste de l'écran. Le retour à l'écran de mesure se fait automatiquement après 3 secondes.



Modifier les paramètres de brassage

La vitesse de brassage peut être modifiée lors de l'étalonnage ou au cours d'une mesure.

1. Appuyez sur  lors de l'étalonnage ou au cours d'une mesure pour accéder au menu Stirring (Brassage).
2. Utilisez les touches ▲ ou ▼ pour modifier la vitesse de brassage en %.

Modifier les unités de température

Les unités de température peuvent être indiquées en Celsius ou en Fahrenheit.

1. Sur l'écran principal, appuyez sur .
2. Appuyez sur  pour sélectionner Celsius ou Fahrenheit.

Maintenance

▲ ATTENTION



Dangers multiples. Seul le personnel qualifié doit effectuer les tâches détaillées dans cette section du document.

AVIS

Ne pas démonter l'appareil pour entretien. Si les composants internes doivent être nettoyés ou réparés, contactez le fabricant.

Nettoyage de l'appareil

AVIS

N'utilisez jamais d'agents de nettoyage tels que térébenthine, acétone ou autres produits similaires pour nettoyer l'appareil, ni son écran et ses accessoires.

Nettoyez l'extérieur de l'appareil avec un chiffon humide et une solution de détergent doux.

Nettoyer la sonde

Nettoyez la sonde selon les besoins. Reportez-vous à la section [Dépannage](#) à la page 48 pour plus d'informations sur le nettoyage. Reportez-vous à la documentation de la sonde pour plus d'informations sur son entretien.

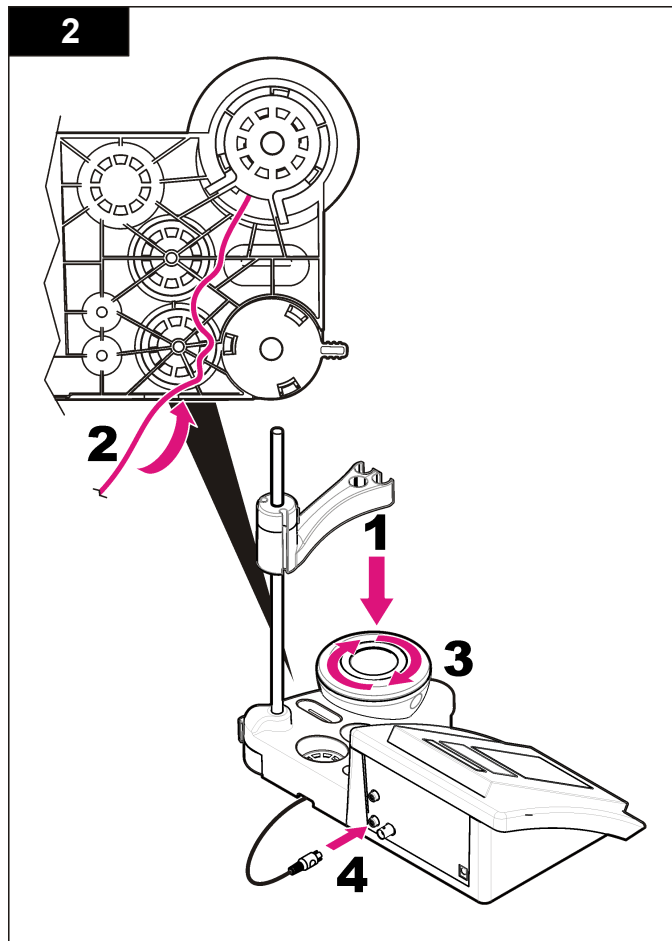
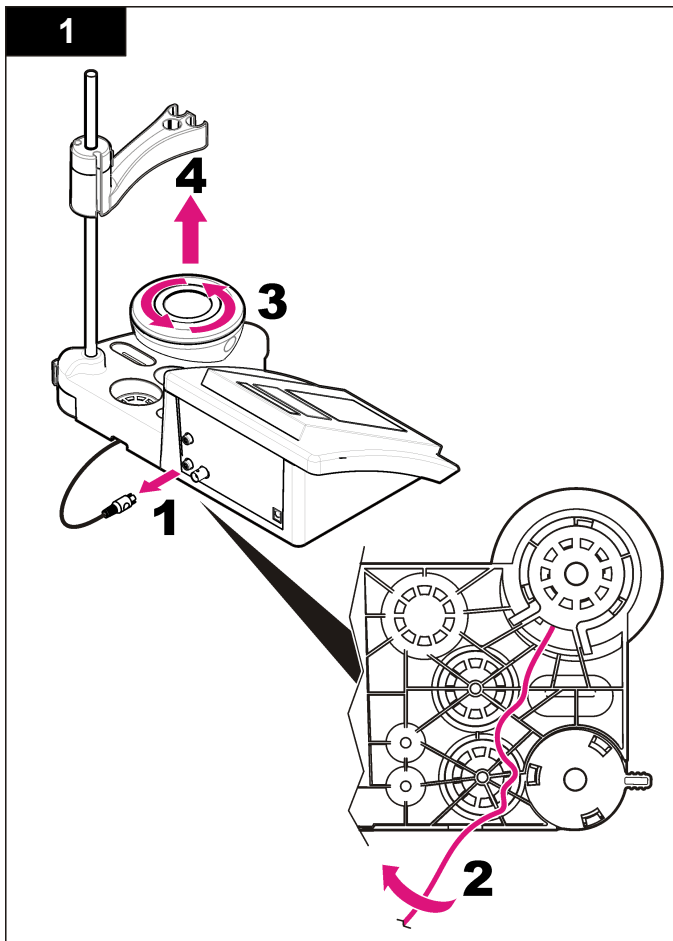
Utilisez les agents nettoyants indiqués [Tableau 1](#) dans les cas de contamination de la sonde pH.

Tableau 1 Agents nettoyants pour la sonde pH

| Contamination | Agent nettoyant |
|----------------------------|-----------------------------------|
| Protéines | Solution de nettoyage de pepsine |
| Graisse, huile, corps gras | Solution de nettoyage d'électrode |
| Entartrage | Solution de HCl 0,1 N |

Remplacer l'agitateur magnétique

Si l'agitateur magnétique ne démarre pas, remplacez-le en respectant les étapes dans l'ordre.



Dépannage

Consulter le tableau ci-dessous des messages ou symptômes les plus courants, pour trouver les causes possibles et actions correctives.

Tableau 2 Avertissements et erreurs d'étalonnage




| Erreur/Avertissement | Solution |
|--------------------------------------|---|
| Asymétrie > 58 mV | Inclinaison hors plage (valeurs acceptées \pm 58 mV). Répétez avec  . Branchez une nouvelle sonde. |
| Tampon ou électrode en mauvais état. | Répétez avec  . Examen de la sonde : nettoyez la sonde (reportez-vous à la section Nettoyer la sonde à la page 46 pour plus d'informations) ; vérifiez qu'aucune bulle d'air ne s'est formée dans la membrane. Agitez la sonde comme un thermomètre ; branchez une autre sonde pour vérifier si le problème provient de la sonde ou de l'appareil. Examen de la solution tampon : vérifiez que le tampon est conforme à celui spécifié dans la configuration ; vérifiez que la température est conforme à celle spécifiée dans la configuration ; utilisez une nouvelle solution tampon. |
| Sens. (a) < 70 % | |
| TAMPON NON RECONNU | |
| RESULTAT INSTABLE Durée > 100 s | Répétez avec  . Examen de la sonde : nettoyez la sonde (reportez-vous à la section Nettoyer la sonde à la page 46 pour plus d'informations) ; vérifiez qu'aucune bulle d'air ne s'est formée dans la membrane. Agitez la sonde comme un thermomètre ; branchez une autre sonde pour vérifier si le problème provient de la sonde ou de l'appareil. Vérifiez que la membrane et le diaphragme sont correctement immergés dans l'échantillon. |

Tableau 2 Avertissements et erreurs d'étalonnage (suite)


| Erreur/Avertissement | Solution |
|-----------------------------|---|
| Electrode en mauvais état. | Examen de la sonde : nettoyez la sonde (reportez-vous à la section Nettoyer la sonde à la page 46 pour plus d'informations) ; vérifiez qu'aucune bulle d'air ne s'est formée dans la membrane. Agitez la sonde comme un thermomètre ; branchez une autre sonde pour vérifier si le problème provient de la sonde ou de l'appareil. |
| Vérification de l'électrode | |
| TAMPONS IDENTIQUES | Répétez avec  . Examen de la sonde : nettoyez la sonde (reportez-vous à la section Nettoyer la sonde à la page 46 pour plus d'informations) ; vérifiez qu'aucune bulle d'air ne s'est formée dans la membrane. Agitez la sonde comme un thermomètre ; branchez une autre sonde pour vérifier si le problème provient de la sonde ou de l'appareil. Examen de la solution tampon : utilisez une nouvelle solution tampon. |

Tableau 3 Avertissements et erreurs de mesure


| Erreur/Avertissement | Solution |
|----------------------|--|
| pH 12,78, 19 °C | Répétez avec  . |
| pH hors plage | Examen de la sonde : nettoyez la sonde (reportez-vous à la section Nettoyer la sonde à la page 46 pour plus d'informations) ; vérifiez qu'aucune bulle d'air ne s'est formée dans la membrane. Agitez la sonde comme un thermomètre ; branchez une autre sonde pour vérifier si le problème provient de la sonde ou de l'appareil. |

Tableau 3 Avertissements et erreurs de mesure (suite)

| Erreur/Avertissement | Solution |
|-----------------------|---|
| Temp. hors plage (°C) | Examinez le capteur de température. Branchez une autre sonde pour vérifier si le problème provient de la sonde ou de l'appareil. |
| Durée > 150 s | Vérifiez que la membrane et le diaphragme sont correctement immergés dans l'échantillon. Examinez la température. Examen de la sonde : nettoyez la sonde (reportez-vous à la section Nettoyer la sonde à la page 46 pour plus d'informations) ; vérifiez qu'aucune bulle d'air ne s'est formée dans la membrane. Agitez la sonde comme un thermomètre ; branchez une autre sonde pour vérifier si le problème provient de la sonde ou de l'appareil. |

Pièces de rechange et accessoires

Remarque : Les numéros de référence de produit et d'article peuvent dépendre des régions de commercialisation. Prenez contact avec le distributeur approprié ou consultez le site web de la société pour connaître les personnes à contacter.

Pièces de rechange

| Description | Article n° |
|---|-----------------|
| Appareil de mesure du pH sensION+ PH3 avec accessoires, sans sonde | LPV2000.98.0002 |
| Appareil de mesure du pH sensION+ PH31, GLP, avec accessoires, sans sonde | LPV2100.98.0002 |
| Appareil de mesure du pH et des ions sensION+ MM340, GLP, deux canaux, avec accessoires, sans sonde | LPV2200.98.0002 |
| Appareil de mesure de la conductivité sensION+ EC7, avec accessoires, sans sonde | LPV3010.98.0002 |
| Appareil de mesure de la conductivité sensION+ EC71, GLP, avec accessoires, sans sonde | LPV3110.98.0002 |
| Appareil de mesure sensION+ MM374, deux canaux, GLP, avec accessoires, sans sonde | LPV4110.98.0002 |

Consommables

| Description | Article n° |
|--|------------|
| Solution tampon pH 4.01, 125 mL | LZW9460.99 |
| Solution tampon pH 7.00, 125 mL | LZW9461.98 |
| Solution tampon pH 10.01, 125 mL | LZW9470.99 |
| Solution tampon pH 4.01, 250 mL | LZW9463.99 |
| Solution tampon pH 7.00, 250 mL | LZW9464.98 |
| Solution tampon pH 10.01, 250 mL | LZW9471.99 |
| Solution tampon pH 4.01, 1000 mL | LZW9466.99 |
| Solution tampon pH 7.00, 1000 mL | LZW9467.98 |
| Solution tampon pH 10.01, 1000 mL | LZW9472.99 |
| Solution électrolytique (KCl 3M), 125 ml | LZW9510.99 |
| Solution électrolytique (KCl 3M), 250 ml | LZW9500.99 |
| Solution électrolytique (KCl 3M), 50 ml | LZW9509.99 |
| Solution électrolytique 0,1 M, 125 ml | LZW9901.99 |
| Solution d'enzymes | 2964349 |
| Solution de nettoyage de pepsine | 2964349 |
| Solution de nettoyage d'électrode | 2965249 |
| Solution de HCl 0,1 N | 1481253 |

Accessoires

| Description | Article n° |
|---|------------|
| Agitateur magnétique avec support de capteur, pour appareil de bureau sensION+ MM | LZW9319.99 |
| 3 béchers 50 ml gradués pour étalonnage pH des appareils de bureau | LZW9110.98 |

Accessoires (suite)

| Description | Article n° |
|---|------------|
| Support trois capteurs, pour les instruments de bureau sensION+ | LZW9321.99 |
| Support et pince pour trois capteurs | LZW9155.99 |
| Chambre en pyrex, mesures de flux continues | LZW9118.99 |
| Protecteur PP, logement pour électrode | LZW9161.99 |

Solutions étalons

Solutions tampons techniques (DIN 19267)

Reportez-vous au [Tableau 4](#) pour connaître les valeurs pH et ORP (mV) d'un tampon spécifique réglé à diverses températures.

Tableau 4 Valeurs pH, ORP (mV) et température

| Température | | pH | | | | | mV |
|-------------|-----------|-------------|-------------|-------------|-------------|--------------|------------|
| °C | °F | | | | | | |
| 0 | 32 | 2,01 | 4,01 | 7,12 | 9,52 | 10,30 | — |
| 10 | 50 | 2,01 | 4,00 | 7,06 | 9,38 | 10,17 | 245 |
| 20 | 68 | 2,00 | 4,00 | 7,02 | 9,26 | 10,06 | 228 |
| 25 | 77 | 2,00 | 4,01 | 7,00 | 9,21 | 10,01 | 220 |
| 30 | 86 | 2,00 | 4,01 | 6,99 | 9,16 | 9,96 | 212 |
| 40 | 104 | 2,00 | 4,03 | 6,97 | 9,06 | 9,88 | 195 |
| 50 | 122 | 2,00 | 4,06 | 6,97 | 8,99 | 9,82 | 178 |
| 60 | 140 | 2,00 | 4,10 | 6,98 | 8,93 | 9,76 | 160 |
| 70 | 158 | 2,01 | 4,16 | 7,00 | 8,88 | — | — |
| 80 | 176 | 2,01 | 4,22 | 7,04 | 8,83 | — | — |
| 90 | 194 | 2,01 | 4,30 | 7,09 | 8,79 | — | — |

Especificaciones

Las especificaciones están sujetas a cambios sin previo aviso.

| Especificación | Detalles |
|--------------------------------------|--|
| Dimensiones | 35 x 20 x 11 cm (13,78 x 7,87 x 4,33 pulg.) |
| Peso | 1100 g (2,43 lb) |
| Carcasa del medidor | IP42 |
| Requisitos de alimentación (externa) | 100–240 V, 0,4 A, 47–63 Hz |
| Clase de protección del medidor | Clase II |
| Temperatura de almacenamiento | –15 a +65 °C (5 a +149 °F) |
| Temperatura de funcionamiento | 0 a 40 °C (41 a 104 °F) |
| Humedad de funcionamiento | < 80% (sin condensación) |
| Resolución | pH: 0,01, ORP: 1 mV, temperatura: 0,1 °C (0,18 °F) |
| Error de medida (± 1 dígito) | pH: ≤ 0,01, ORP: ≤ 1 mV, temperatura: ≤ 0,2 °C (≤ 0,36 °F) |
| Reproducibilidad (± 1 dígito) | pH: ± 0,01, ORP: ± 1 mV, temperatura: ± 0,1 °C (± 0,18 °F) |
| Conexiones | Sonda de indicador o combinada: Conector BNC (Imp. >10 ¹² Ω); Electrodo de referencia: conector con punta cónica; tipo A.T.C. Pt 1000: conector con punta cónica o telefónico; agitador magnético: conector RCA |
| Corrección de temperatura | Manual, sonda de temperatura Pt 1000 (A.T.C.), sonda de 10 kΩ NTC |
| Bloqueo de pantalla de medida | Medida continua, por estabilidad |
| Pantalla | Cristal líquido, retroiluminada, 128 x 64 puntos |

| Especificación | Detalles |
|----------------|-----------------------------------|
| Teclado | PET con tratamiento de protección |
| Certificación | CE |

Información general

Las ediciones revisadas se encuentran en la página web del fabricante.

Información de seguridad

AVISO

El fabricante no es responsable de ningún daño debido a un mal uso de este producto incluyendo, sin limitación, daños directos, fortuitos o circunstanciales y reclamaciones sobre los daños que no estén recogidos en la legislación vigente. El usuario es el responsable de la identificación de los riesgos críticos y de tener los mecanismos adecuados de protección de los procesos en caso de un posible mal funcionamiento del equipo.

Lea todo el manual antes de desembalar, instalar o trabajar con este equipo. Ponga atención a todas las advertencias y avisos de peligro. El no hacerlo puede provocar heridas graves al usuario o daños al equipo.

Asegúrese de que la protección proporcionada por el equipo no está dañada. No utilice ni instale este equipo de manera distinta a lo especificado en este manual.

Uso de la información sobre riesgos

▲ PELIGRO

Indica una situación potencial o de riesgo inminente que, de no evitarse, provocará la muerte o lesiones graves.

▲ ADVERTENCIA

Indica una situación potencial o inminentemente peligrosa que, de no evitarse, podría provocar la muerte o lesiones graves.

⚠ PRECAUCIÓN



Indica una situación potencialmente peligrosa que podría provocar una lesión menor o moderada.

AVISO

Indica una situación que, si no se evita, puede provocar daños en el instrumento. Información que requiere especial énfasis.

Etiquetas de precaución

Lea todas las etiquetas y rótulos adheridos al instrumento. En caso contrario, podrían producirse heridas personales o daños en el instrumento. El símbolo que aparezca en el instrumento se comentará en el manual con una declaración de precaución.

| | |
|--|---|
|  | Este símbolo (en caso de estar colocado en el equipo) hace referencia a las instrucciones de uso o a la información de seguridad del manual. |
|  | En Europa, el equipo eléctrico marcado con este símbolo no se debe desechar mediante el servicio de recogida de basura doméstica o pública. Devuelva los equipos viejos o que hayan alcanzado el término de su vida útil al fabricante para su eliminación sin cargo para el usuario. |

Descripción general del producto

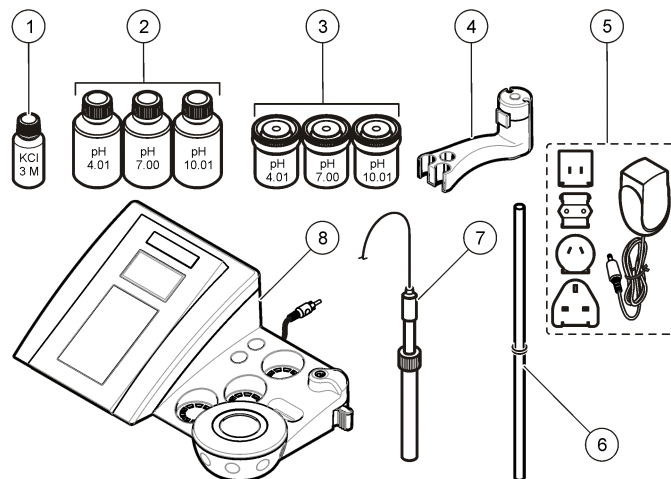
Los medidores sensION™+ se utilizan con sondas para medir diversos parámetros en agua.

El medidor PH3 sensION™+ mide el pH, ORP (mV) o la temperatura.

Componentes del producto

Consulte la [Figura 1](#) para asegurarse de que se han recibido todos los componentes. Si faltan artículos o están dañados, póngase en contacto con el fabricante o el representante de ventas inmediatamente.

Figura 1 Componentes del medidor

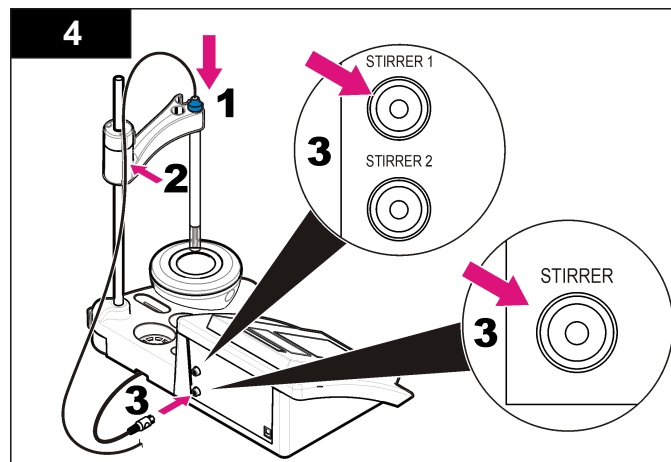
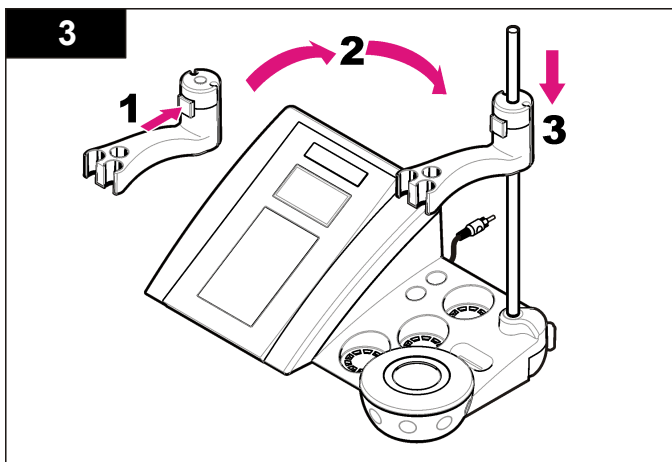
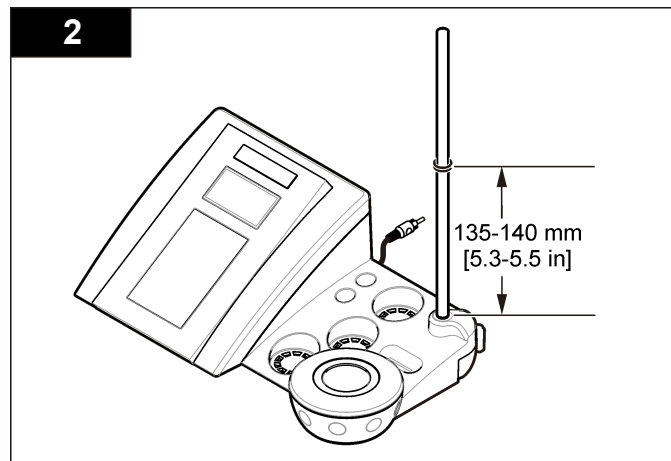
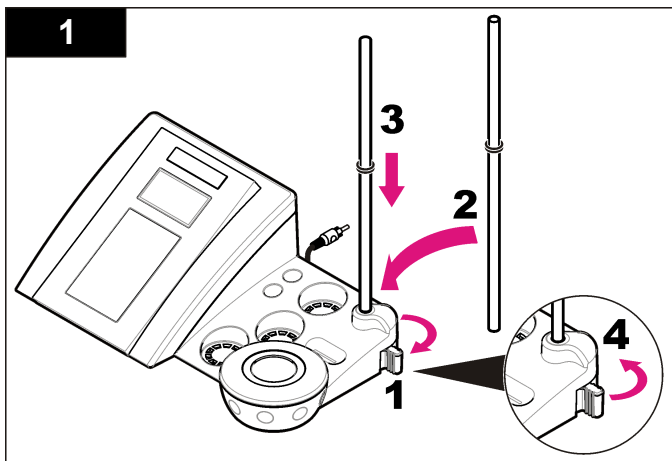


| | |
|--|-------------------------------------|
| 1 Electrolitos para la sonda | 5 Fuente de alimentación |
| 2 Soluciones buffer (pH 4,01, pH 7,00 y pH 10,01) | 6 Varilla con junta tórica |
| 3 Vasos de precipitados de calibración (con barra magnética interna) | 7 Sonda (sólo incluida en los kits) |
| 4 Portasondas | 8 Medidor |

Instalación


Ensamblar el portasondas

Siga los pasos que se indican a continuación para ensamblar el portasondas y conectar el agitador magnético.



Conectar a la alimentación de CA

⚠ PELIGRO

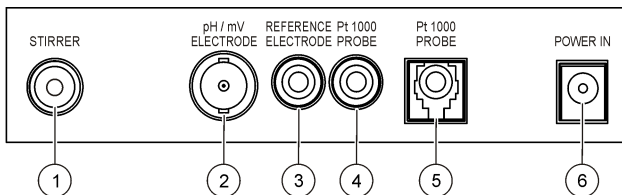


Peligro de electrocución. Si este equipo se usa en exteriores o en lugares potencialmente húmedos, debe usarse un disyuntor de interrupción de circuito por falla a tierra (GFCI/GFI) para conectar el equipo a la alimentación eléctrica.

El medidor puede utilizar alimentación de CA con el adaptador de corriente universal.

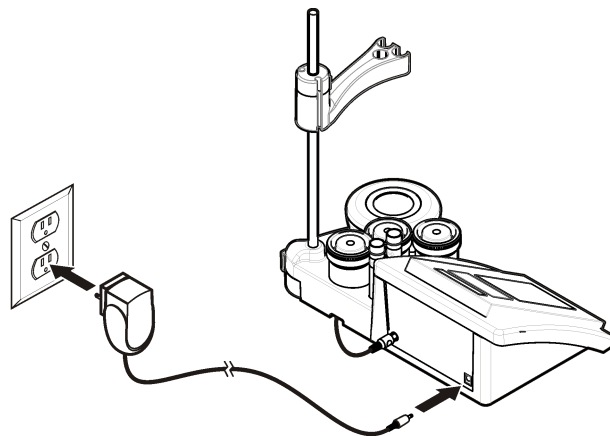
1. Seleccione el conector del adaptador correcto para la toma de alimentación en el kit del adaptador.
2. Conecte el adaptador de corriente universal al medidor (Figura 2).
3. Conecte el adaptador de corriente universal a un receptáculo de CA (Figura 3).
4. Encienda el medidor.

Figura 2 Panel conector



| | |
|--|--|
| 1 Conector del agitador magnético | 4 Conector de la sonda de temperatura |
| 2 Conector de electrodo de pH combinado (o indicador) | 5 Conector de la sonda de temperatura separado |
| 3 Conector de electrodo de referencia (electrodos separados) | 6 Fuente de alimentación |

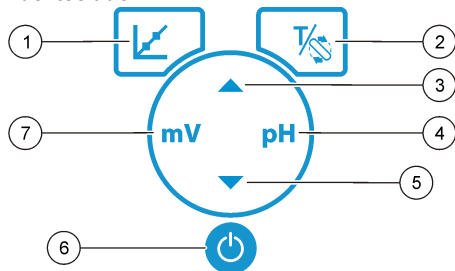
Figura 3 Conexión de la alimentación de CA



Interfaz del usuario y navegación

Interfaz del usuario

Descripción del teclado

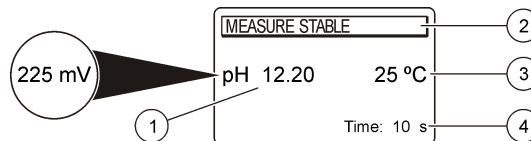


| | |
|--|---|
| 1 Tecla de calibración: inicia la calibración, visualiza los datos de calibración y cambia la frecuencia de calibración. | 5 Tecla abajo: permite desplazarse a otras opciones, cambia un valor. |
| 2 Tecla de temperatura y de agitador: cambia la temperatura (°C, °F) o la velocidad de la mezcla. | 6 ON/OFF: encendido o apagado del medidor. |
| 3 Tecla arriba: permite desplazarse a otras opciones. | 7 Tecla de medición de mV: inicia una medición ORP (mV). |
| 4 Tecla de medición de pH: inicia una medición de pH. | |

Descripción de la pantalla

La pantalla del medidor muestra la concentración, unidades, temperatura, el estado de calibración, la fecha y la hora.

Figura 4 Pantalla única



| | |
|---|---------------------------------------|
| 1 Unidad de medición y valor (pH, ORP (mV)) | 3 Temperatura de la muestra (°C o °F) |
| 2 Modo de medición o fecha y hora | 4 Temporizador de medición visual |

Navegación

Utilice la tecla de calibración para calibrar la sonda. Utilice la tecla del parámetro para tomar una medición de la muestra. Utilice la tecla TEMPERATURE (Temperatura) y STIRRER (AGITADOR) para cambiar la temperatura (°C, °F) o la velocidad de la mezcla. Utilice las teclas de flecha para desplazarse a otras opciones o cambiar un valor. Asegúrese de observar la pantalla durante las tareas, ya que las visualizaciones cambian con rapidez. Consulte cada tarea para obtener instrucciones específicas.

Puesta en marcha

Encienda y apague el medidor

AVISO

Asegúrese de que la sonda está conectada al medidor antes de encenderlo.

Pulse para encender o apagar el medidor. Si el medidor no se enciende, asegúrese de que la fuente de alimentación de CA está debidamente conectada a una toma eléctrica.

Cambio del idioma


El idioma de visualización se selecciona cuando se enciende el medidor por primera vez.

Utilice ▲ o ▼ para seleccionar un idioma de una lista. El medidor vuelve automáticamente a la pantalla de medición transcurridos 3 segundos.

Nota: ▲ Para cambiar el idioma del menú principal, pulse .

Funcionamiento estándar

Calibración

| ▲ PELIGRO | |
|--|--|
|  | Peligro por exposición a productos químicos. Respete los procedimientos de seguridad del laboratorio y utilice el equipo de protección personal adecuado para las sustancias químicas que vaya a manipular. Consulte los protocolos de seguridad en las hojas de datos de seguridad actuales (MSDS/SDS). |

Procedimiento de calibración

Este procedimiento se utiliza generalmente con soluciones líquidas de calibración. Consulte los documentos suministrados con cada sonda para obtener información adicional.

Nota: La solución se debe mezclar durante la calibración. Para obtener más información sobre los ajustes de la mezcla, consulte [Cambie la configuración de la mezcla en la página 57](#).

1. Vierta las soluciones buffer o de calibración en los vasos de precipitados de calibración etiquetados.
2. En el menú principal, pulse ↵ para seleccionar la calibración de pH o mV.
3. Enjuague la sonda con agua desionizada e introdúzcala en el primer vaso de precipitados de calibración. Asegúrese de que no hay burbujas de aire en la membrana.
4. Pulse ↵ para medir la primera solución de calibración. Se mostrará la siguiente solución de calibración.
5. Enjuague la sonda con agua desionizada e introdúzcala en el segundo vaso de precipitados de calibración. Asegúrese de que no hay burbujas de aire en la membrana.
6. Pulse ↵ para medir la segunda solución de calibración.

Se muestra la siguiente solución de calibración.

7. Enjuague la sonda con agua desionizada e introdúzcala en el tercer vaso de precipitados de calibración. Asegúrese de que no hay burbujas de aire en la membrana.
8. Pulse ↵ para medir la tercera solución de calibración. Cuando la calibración es correcta, en la pantalla se muestra brevemente 3º buffer correcto y, a continuación, se vuelve al menú principal.

Visualizar los datos de calibración

Se pueden mostrar los datos de la calibración más reciente.

1. En el menú principal, pulse ↵ .
2. Utilice ▼ para los datos de la última calibración. El medidor vuelve automáticamente a la pantalla de medición transcurridos 3 segundos.

Active el recordatorio de calibración

El recordatorio de calibración se puede ajustar entre las 0 y las 23 horas, o de 1 a 7 días (1 día de forma predeterminada). La pantalla muestra el tiempo restante para la nueva calibración.

Nota: Cuando se selecciona el valor 0 días, el recordatorio de calibración se desactiva.

1. En el menú principal, pulse ↵ y, a continuación, pulse ▼ hasta que la pantalla muestre Frecuencia cal.
2. Utilice ▲ o ▼ para cambiar el valor. El medidor vuelve automáticamente a la pantalla de medida transcurridos 3 segundos.

Mediciones de muestra

Cada sonda tiene unos pasos y procedimientos específicos de preparación para llevar a cabo las mediciones de muestras. Para ver instrucciones paso a paso, consulte los documentos que se incluyen con cada sonda.

Nota: Las soluciones se deben mezclar durante la medición. Para obtener más información sobre los ajustes de la mezcla, consulte [Cambie la configuración de la mezcla en la página 57](#).

Nota: La temperatura no se muestra durante una medición de ORP (mV) si la sonda de temperatura no está conectada.

Pulse pH u ORP 8mV) para realizar la medición de una muestra. Durante las mediciones, el parámetro parpadea y el temporizador muestra el tiempo de estabilización. Para modificar el parámetro de medición (si procede) mantenga pulsado pH u ORP (mV).

Para medir la muestra de forma continua, pulse pH u ORP (mV) para iniciar una medición y pulse pH u ORP (mV) de nuevo durante la estabilización. El parámetro parpadea para indicar el modo de medición continua.

Funcionamiento avanzado

Cambio de la fecha y la hora

La fecha y la hora se pueden cambiar desde el menú Fecha / Hora.


1. Utilice ▼ para acceder al menú Fecha / Hora. El formato de fecha y hora es: dd-mm-aaaa 24 h.
El atributo que se va a cambiar se resaltará automáticamente y avanzará al siguiente atributo si no se pulsa ▲ o ▼.
2. Para cambiar un atributo, pulse ▲ o ▼ cuando se selecciona el atributo resaltado.
La fecha y hora actuales se mostrarán en la pantalla.

Ajustar del contraste de la pantalla

1. Pulse ▲ y ▼ al mismo tiempo para acceder al menú Contraste pantalla.
2. Utilice ▲ o ▼ para ajustar el contraste de la pantalla. El medidor vuelve automáticamente a la pantalla de medición transcurridos 3 segundos.



Cambie la configuración de la mezcla

La velocidad de la mezcla se puede cambiar durante la calibración y durante una medición.

1. Pulse  durante una calibración o durante una medición para acceder al menú de la mezcla.
2. Utilice ▲ o ▼ para cambiar la velocidad de la mezcla en %.

Cambiar las unidades de temperatura

Las unidades de temperatura se pueden cambiar a Celsius o Fahrenheit.

1. En el menú principal, pulse .
2. Pulse  para seleccionar entre Celsius o Fahrenheit.

Mantenimiento

⚠ PRECAUCIÓN



Peligros diversos. Sólo el personal cualificado debe realizar las tareas descritas en esta sección del documento.

AVISO

No desmonte el instrumento para el mantenimiento. Si es necesario limpiar o reparar los componentes internos, póngase en contacto con el fabricante.

Limpieza del instrumento

AVISO

Nunca utilice productos de limpieza como aguarrás, acetona o productos similares para limpiar el instrumento, incluidos la pantalla y los accesorios.

Limpie el exterior del instrumento con un paño húmedo y una solución jabonosa suave.

Limpiar la sonda

Limpie la sonda según sea necesario. Consulte [Solución de problemas](#) en la página 60 para obtener más información sobre la limpieza. Consulte la documentación de la sonda para obtener información sobre el mantenimiento de la sonda.

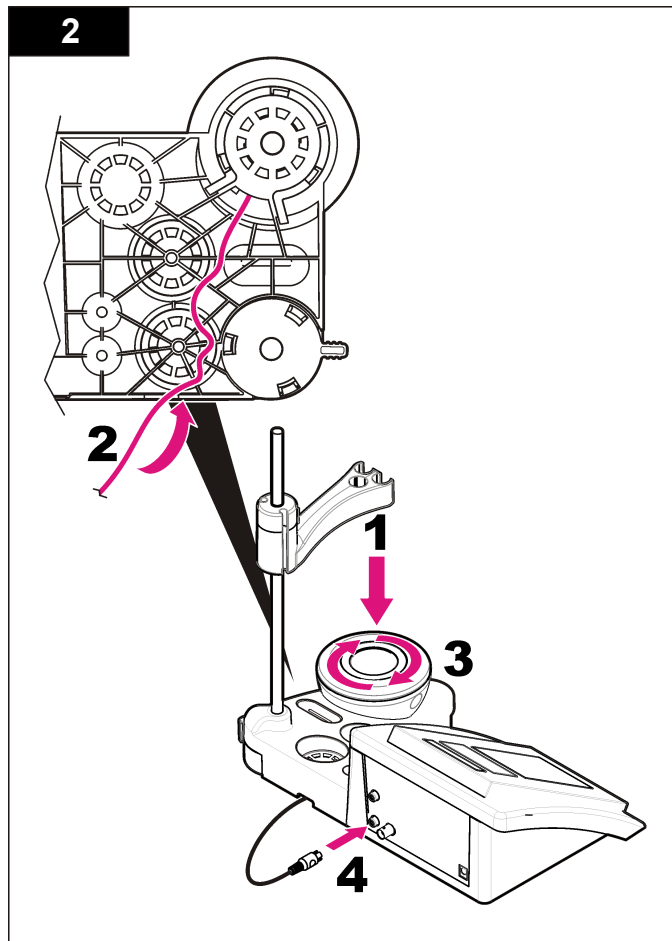
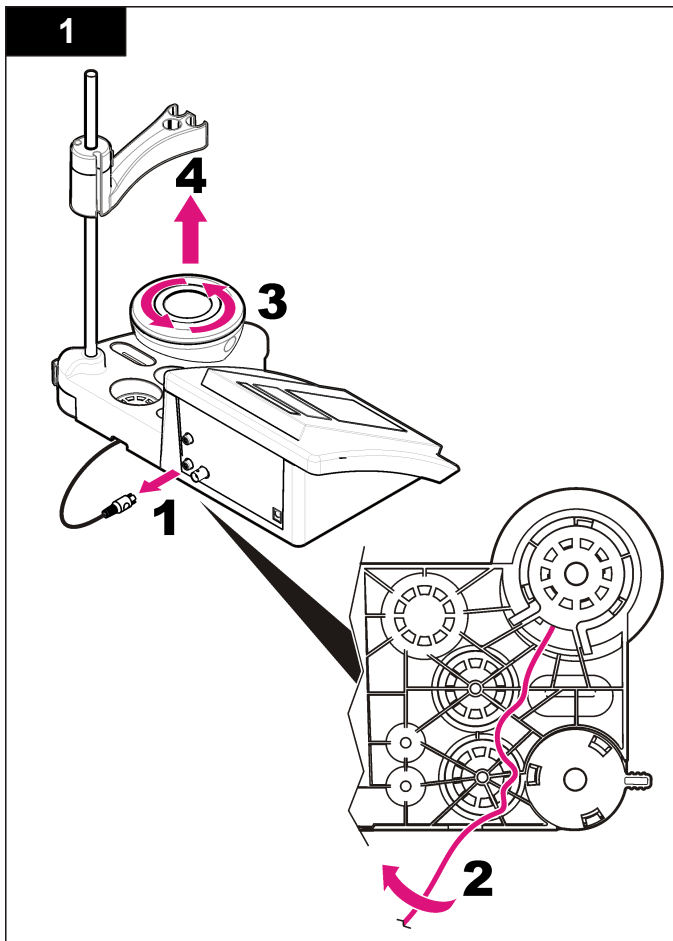
Utilice los agentes limpiadores especificados en [Tabla 1](#) para comprobar los contaminantes en la sonda de pH.

Tabla 1 Agentes limpiadores para la sonda de pH

| Contaminación | Agente limpiador |
|-------------------|------------------------------------|
| Proteínas | Solución limpiadora de pepsina |
| Aceites y grasas | Solución de limpieza de electrodos |
| Depósito calcáreo | Solución de HCl 0,1 N |

Sustituya el agitador magnético

Si el agitador magnético no se inicia, siga los pasos que se indican para sustituir el agitador magnético.



Solución de problemas

Consulte la siguiente tabla para ver los mensajes o síntomas de los problemas comunes, las posibles causas y acciones correctivas.

Tabla 2 Advertencias de calibración y errores




| Error/advertencia | Solución |
|---|---|
| Asymmetry > 58 mV (Asimetría > 58 mV) | Pendiente fuera de rango (valores aceptados \pm 58 mV). Repetir con  Conectar una nueva sonda. |
| Buffer or electrode in poor conditions. (Búfer o electrodo en condiciones deficientes.) | Repetir con  . Examinar la sonda: Limpiar la sonda (consulte Limpiar la sonda en la página 57 para obtener más información); asegúrese de que no hay burbujas de aire en la membrana. Agite la sonda como un termómetro; Conecte una sonda diferente para verificar si el problema es con la sonda o con el medidor. |
| Sens. (a) < 70% | Examine la solución buffer: Asegúrese de que el búfer utilizado coincide con el búfer especificado en la configuración; asegúrese de la especificación de temperatura en la configuración; utilice una nueva solución buffer. |
| BUFFER NOT RECOGNIZED (Búfer no reconocido) | |
| UNSTABLE READING (Lectura inestable) Time t > 100 s (Tiempo t > 100 s) | Repetir con  . Examinar la sonda: Limpiar la sonda (consulte Limpiar la sonda en la página 57 para obtener más información); asegúrese de que no hay burbujas de aire en la membrana. Agite la sonda como un termómetro; conecte una sonda diferente para verificar si el problema es con la sonda o con el medidor. Asegúrese de que la membrana y el diafragma se han sumergido correctamente en la muestra. |

Tabla 2 Advertencias de calibración y errores (continúa)


| Error/advertencia | Solución |
|---|--|
| Electrode in poor conditions. (Electrodo en condiciones deficientes). | Examinar la sonda: Limpiar la sonda (consulte Limpiar la sonda en la página 57 para obtener más información); asegúrese de que no hay burbujas de aire en la membrana. Agite la sonda como un termómetro; conecte una sonda diferente para verificar si el problema es con la sonda o con el medidor. |
| Check the electrode (Compruebe el electrodo) | |
| SAME BUFFERS (BÚFERES IGUALES) | Repetir con  . Examinar la sonda: Limpiar la sonda (consulte Limpiar la sonda en la página 57 para obtener más información); asegúrese de que no hay burbujas de aire en la membrana. Agite la sonda como un termómetro; conecte una sonda diferente para verificar si el problema es con la sonda o con el medidor. Examine la solución buffer: Utilice una nueva solución buffer. |

Tabla 3 Advertencias y errores de medición


| Error/advertencia | Solución |
|-------------------------------------|---|
| pH 12,78 19 °C | Repetir con  . |
| pH out of range (pH fuera de rango) | Examinar la sonda: Limpiar la sonda (consulte Limpiar la sonda en la página 57 para obtener más información); asegúrese de que no hay burbujas de aire en la membrana. Agite la sonda como un termómetro; conecte una sonda diferente para verificar si el problema es con la sonda o con el medidor. |

Tabla 3 Advertencias y errores de medición (continúa)

| Error/advertencia | Solución |
|--|---|
| Temp out of range °C (Temperatura fuera de rango °C) | Examine el sensor de temperatura. Conecte una sonda diferente para verificar si el problema es con la sonda o con el medidor. |
| Time > 150 s (Tiempo > 150 s) | Asegúrese de que la membrana y el diafragma se han sumergido correctamente en la muestra. Examine la temperatura. Examinar la sonda: Limpiar la sonda (consulte Limpiar la sonda en la página 57 para obtener más información); asegúrese de que no hay burbujas de aire en la membrana. Agite la sonda como un termómetro; Conecte una sonda diferente para verificar si el problema es con la sonda o con el medidor. |

Piezas de repuesto y accesorios

Nota: Los números de producto y artículo pueden variar para algunas regiones de venta. Comuníquese con el distribuidor correspondiente o visite el sitio Web de la compañía para obtener la información de contacto.

Piezas de repuesto

| Descripción | Referencia |
|--|-----------------|
| Medidor de pH PH3 Lab sensION+ con accesorios, sin sonda | LPV2000.98.0002 |
| medidor de pH PH31 Lab sensION+, GLP, con accesorios, sin sonda | LPV2100.98.0002 |
| Medidor MM340 Lab pH & Ion sensION+, GLP, 2 canales, con accesorios, sin sonda | LPV2200.98.0002 |
| Medidor de conductividad EC7 Lab sensION+, con accesorios, sin sonda | LPV3010.98.0002 |

Piezas de repuesto (continúa)

| Descripción | Referencia |
|---|-----------------|
| Medidor de conductividad EC71 Lab sensION+, GLP, con accesorios, sin sonda | LPV3110.98.0002 |
| Medidor de laboratorio de 2 canales MM374 sensION+, GLP, accesorios, sin sondas | LPV4110.98.0002 |

Consumibles

| Descripción | Referencia |
|---|------------|
| Solución buffer de pH 4,01, 125 ml | LZW9460.99 |
| Solución buffer de pH 7,00, 125 ml | LZW9461.98 |
| Solución buffer de pH 10,01, 125 ml | LZW9470.99 |
| Solución buffer de pH 4,01, 250 ml | LZW9463.99 |
| Solución buffer de pH 7,00, 250 ml | LZW9464.98 |
| Solución buffer de pH 10,01, 250 ml | LZW9471.99 |
| Solución buffer de pH 4,01, 1.000 ml | LZW9466.99 |
| Solución buffer de pH 7,00, 1.000 ml | LZW9467.98 |
| Solución buffer de pH 10,01, 1.000 ml | LZW9472.99 |
| Solución electrolítica (KCl 3M), 125 ml | LZW9510.99 |
| Solución electrolítica (KCl 3M), 250 ml | LZW9500.99 |
| Solución electrolítica (KCl 3M), 50 ml | LZW9509.99 |
| Solución electrolítica 0,1 M, 125 ml | LZW9901.99 |
| Solución de enzima | 2964349 |
| Solución limpiadora de pepsina | 2964349 |
| Solución limpiadora de electrodos | 2965249 |
| Solución de HCl 0,1 N | 1481253 |

Accesorios

| Descripción | Referencia |
|--|------------|
| Agitador magnético con portasensor, para medidor de mesa MM sensION+ | LZW9319.99 |
| Vasos de precipitados impresos 3x50 ml para calibración de pH de medidor de mesa | LZW9110.98 |
| Tres portasensores, para instrumentos de medidor de mesa sensION+ | LZW9321.99 |
| Soprote y abrazadera para tres sensores | LZW9155.99 |
| Cámara de cristal Pyrex, mediciones de flujo continuo | LZW9118.99 |
| Protector de PP, almacenamiento de electrodos | LZW9161.99 |

Soluciones patrón

Soluciones buffer técnicas (DIN 19267)

Consulte en la [Tabla 4](#) los valores de pH y ORP (mV) de series de soluciones buffer con variaciones de temperatura.

Tabla 4 Valores de temperatura, pH y ORP (mV)

| Temperatura | | pH | | | | | mV |
|-------------|-----------|-------------|-------------|-------------|-------------|--------------|------------|
| °C | °F | | | | | | |
| 0 | 32 | 2,01 | 4,01 | 7,12 | 9,52 | 10,30 | — |
| 10 | 50 | 2,01 | 4,00 | 7,06 | 9,38 | 10,17 | 245 |
| 20 | 68 | 2,00 | 4,00 | 7,02 | 9,26 | 10,06 | 228 |
| 25 | 77 | 2,00 | 4,01 | 7,00 | 9,21 | 10,01 | 220 |
| 30 | 86 | 2,00 | 4,01 | 6,99 | 9,16 | 9,96 | 212 |
| 40 | 104 | 2,00 | 4,03 | 6,97 | 9,06 | 9,88 | 195 |
| 50 | 122 | 2,00 | 4,06 | 6,97 | 8,99 | 9,82 | 178 |
| 60 | 140 | 2,00 | 4,10 | 6,98 | 8,93 | 9,76 | 160 |

Tabla 4 Valores de temperatura, pH y ORP (mV) (continúa)

| Temperatura | | pH | | | | | mV |
|-------------|-----|------|------|------|------|---|----|
| °C | °F | | | | | | |
| 70 | 158 | 2,01 | 4,16 | 7,00 | 8,88 | — | — |
| 80 | 176 | 2,01 | 4,22 | 7,04 | 8,83 | — | — |
| 90 | 194 | 2,01 | 4,30 | 7,09 | 8,79 | — | — |

Especificações

As especificações podem ser alteradas sem aviso prévio.

| Especificação | Detalhes |
|-------------------------------------|---|
| Dimensões | 35 x 20 x 11 cm (13,78 x 7,87 x 4,33 pol.) |
| Peso | 1100 g (2,43 lb) |
| Caixa do medidor | IP42 |
| Requisitos de alimentação (externa) | 100–240 V, 0,4 A, 47-63 Hz |
| Classe de protecção do medidor | Classe II |
| Temperatura de armazenamento | -15 a +65 °C (5 a +149 °F) |
| Temperatura de funcionamento | 0 a 40 °C (41 a 104 °F) |
| Humidade de funcionamento | < 80% (sem condensação) |
| Resolução | pH: 0.01, ORP: 1 mV, temperatura: 0,1 °C (0,18 °F) |
| Erro de medição (± 1 dígito) | pH: ≤ 0.01, ORP: ≤ 1 mV, temperatura: ≤ 0,2 °C (≤ 0,36 °F) |
| Reprodutibilidade: (± 1 dígito) | pH: ± 0.01, ORP: ± 1 mV, temperatura: ± 0,1 °C (± 0,18 °F) |
| Ligações | Sonda combinada ou com indicador: conector BNC (Imp. >10 ¹² Ω); Eléctrodo de referência: conector banana; A.T.C. tipo Pt 1000: conector banana ou telefónico; agitador magnético: conector RCA |
| Correcção de temperatura | Manual, sonda de temperatura Pt 1000 (A.T.C.), sonda NTC 10 kΩ |
| Bloqueio do ecrã de medição | Medição contínua, por estabilidade |
| Ecrã | Cristais líquidos, retroiluminação, 128 x 64 pontos |

| Especificação | Detalhes |
|---------------|---------------------------------|
| Teclado | PET com tratamento de protecção |
| Certificação | CE |

Informação geral

As edições revistas encontram-se disponíveis no website do fabricante.

Informações de segurança

ATENÇÃO

O fabricante não é responsável por quaisquer danos resultantes da aplicação incorrecta ou utilização indevida deste produto, incluindo, mas não limitado a, danos directos, incidentais e consequenciais, não se responsabilizando por tais danos ao abrigo da lei aplicável. O utilizador é o único responsável pela identificação de riscos de aplicação críticos e pela instalação de mecanismos adequados para a protecção dos processos na eventualidade de uma avaria do equipamento.

Leia este manual até ao fim antes de desembalar, programar ou utilizar o aparelho. Dê atenção a todos os avisos relativos a perigos e precauções. A não leitura destas instruções pode resultar em lesões graves para o utilizador ou em danos para o equipamento.

Certifique-se de que a protecção oferecida por este equipamento não é comprometida. Não o utilize ou instale senão da forma especificada neste manual.

Uso da informação de perigo

▲ PERIGO

Indica uma situação de risco potencial ou eminente que, se não for evitada, resultará em morte ou lesão grave.

▲ ADVERTÊNCIA

Indica uma situação de perigo potencial ou eminente que, caso não seja evitada, poderá resultar na morte ou em ferimentos graves.

⚠ AVISO



Indica uma situação de risco potencial, que pode resultar em lesão ligeira a moderada.

ATENÇÃO

Indica uma situação que, caso não seja evitada, poderá causar danos no instrumento. Informação que requer ênfase especial.

Avisos de precaução

Leia todas as etiquetas presentes no aparelho. A sua não observação pode resultar em lesões para as pessoas ou em danos para o aparelho. Um símbolo no aparelho é referenciado no manual com uma frase de precaução.

| | |
|--|---|
|  | Quando encontrar este símbolo no instrumento, isto significa que deverá consultar o manual de instruções para obter informações sobre o funcionamento do instrumento e/ou de segurança. |
|  | O equipamento eléctrico marcado com este símbolo não pode ser eliminado nos sistemas europeus de recolha de lixo doméstico e público. Devolva os equipamentos antigos ou próximos do final da sua vida útil ao fabricante para que os mesmos sejam eliminados sem custos para o utilizador. |

Vista geral do produto

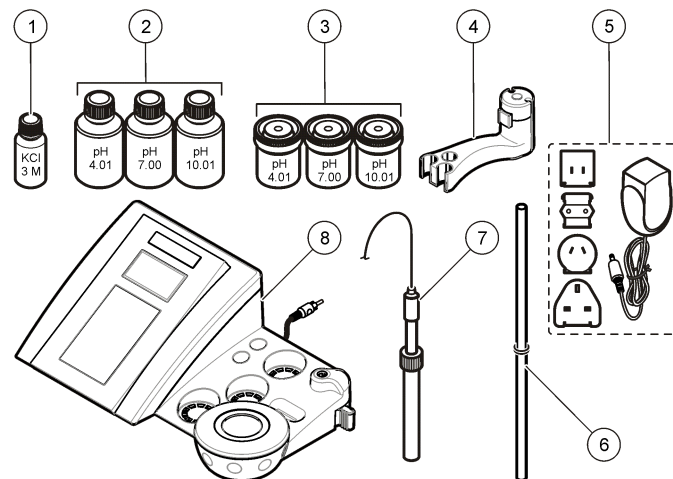
Os medidores TM+ são utilizados com sondas para medir vários parâmetros dentro de água.

O medidor sensIONTM+ PH3 mede o pH, ORP (mV) ou a temperatura.

Componentes do produto

Consulte [Figura 1](#) a fim de se certificar de que todos os componentes foram recebidos. Se algum destes itens estiver em falta ou apresentar danos, contacte imediatamente o fabricante ou um representante de vendas.

Figura 1 Componentes do medidor

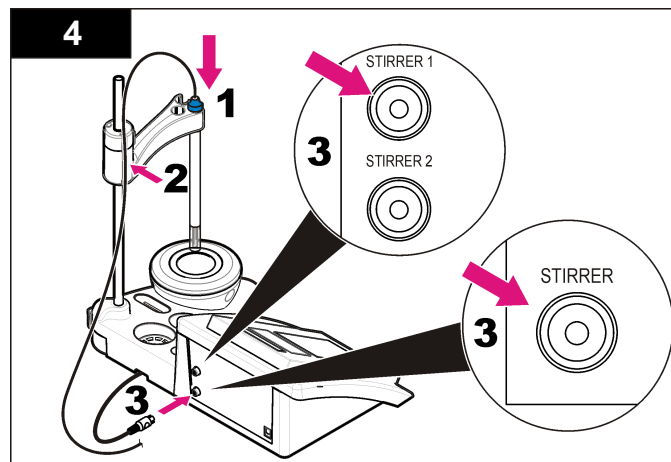
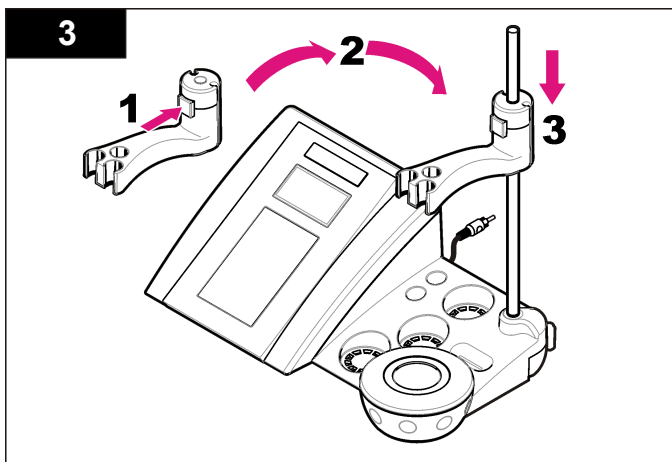
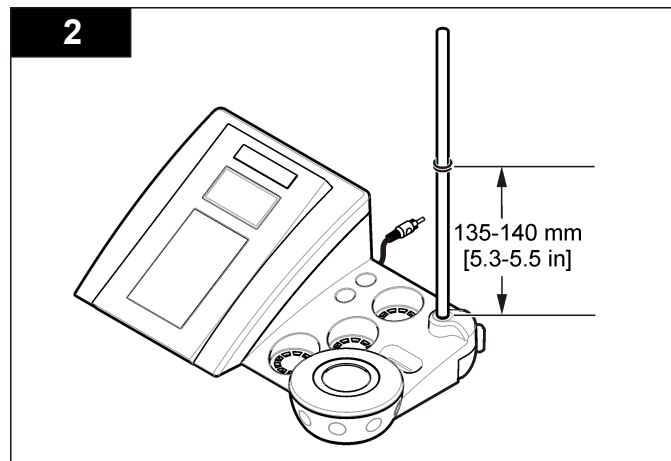
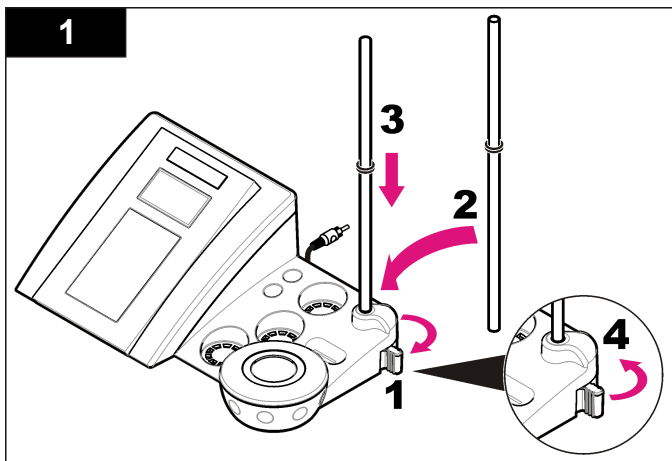


| | |
|--|--|
| 1 Electrólito da sonda | 5 Abastecimento de potência |
| 2 Soluções de tampão (pH 4.01, pH 7.00 e pH 10.01) | 6 Haste com junta circular |
| 3 Provetas de calibração (com barra magnética no interior) | 7 Sonda (fornecida apenas com os kits) |
| 4 Suporte da sonda | 8 Medidor |

Instalação


Montar o suporte da sonda

Siga os passos numerados para montar o suporte da sonda e ligar o agitador magnético.



Ligação a tensão de CA

⚠ PERIGO

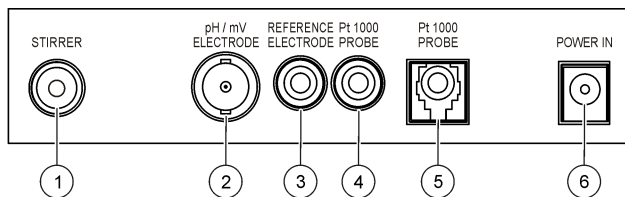


Perigo de electrocussão. Se este equipamento for utilizado ao ar livre ou em locais com humidade, deve ser utilizado um Disjuntor de fuga à terra (GFCI/GFI) para ligar o equipamento à respectiva fonte de alimentação.

O medidor pode ser ligado através de tensão de CA com o transformador universal.

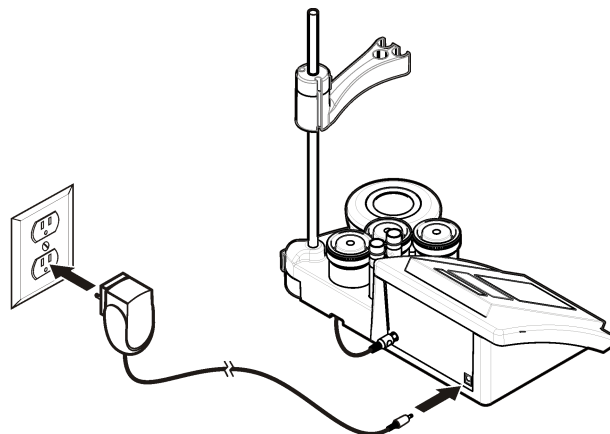
1. Selecciona a ficha do transformador da saída de alimentação da tomada de corrente do kit adaptador.
2. Ligue o transformador universal ao medidor (Figura 2).
3. Ligue o transformador universal a um receptáculo CA (Figura 3).
4. Ligue o medidor.

Figura 2 Painel do conector



| | |
|---|--|
| 1 Conector do agitador magnético | 4 Conector da sonda de temperatura |
| 2 Conector (ou indicador) do eléctrodo pH combinado | 5 Conector da sonda de temperatura diferente |
| 3 Conector do eléctrodo de referência (eléctrodos diferentes) | 6 Abastecimento de potência |

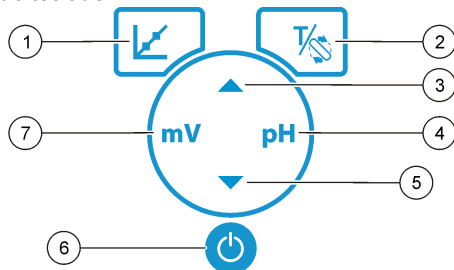
Figura 3 Ligação a potência CA



Interface do utilizador e navegação

Interface do utilizador

Descrição do teclado

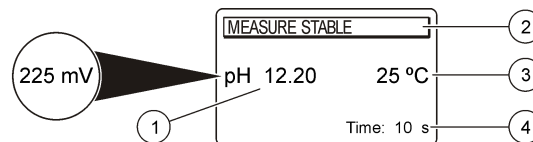


| | |
|--|--|
| 1 Tecla CALIBRAÇÃO: iniciar uma calibração, ver dados de calibração e alterar a frequência de calibração | 5 Tecla PARA BAIXO: permite aceder a outras opções, alterar um valor |
| 2 Tecla TEMPERATURA e AGITADOR: alterar a temperatura (°C, °F) ou a velocidade de agitação | 6 LIGAR/DESLIGAR: permite ligar ou desligar o medidor |
| 3 Tecla PARA CIMA: permite aceder a outras opções, alterar um valor | 7 Tecla de medição de mV: permite iniciar uma medição de ORP (mV) |
| 4 Tecla de medição de pH: iniciar uma medição de pH | |

Descrição do ecrã

O ecrã do medidor mostra a concentração, unidades, temperatura, estado de calibração, data e hora.

Figura 4 Exibição de ecrã único



| | |
|--|-------------------------------------|
| 1 Unidade e valor de medida (pH, ORP (mV)) | 3 Temperatura de amostra (°C ou °F) |
| 2 Modo ou hora e data de medição | 4 Temporizador de medição visual |

Navegação

Utilize a tecla de calibração para calibrar a sonda. Utilize a tecla de parâmetros para obter uma medição de amostra. Utilize a tecla TEMPERATURA e AGITADOR para alterar a temperatura (°C, °F) ou a velocidade de agitação. Utilize as teclas de setas para aceder a outras opções ou alterar um valor. Certifique-se de que observa o ecrã durante as tarefas, uma vez que estas mudam rapidamente. Consulte cada tarefa para obter instruções específicas.

Arranque

Ligar e desligar o medidor

ATENÇÃO

Antes de ligar o medidor, certifique-se de que está ligado à sonda.

Prima para ligar ou desligar o medidor. Se o medidor não se ligar, certifique-se de que a fonte de alimentação CA está devidamente ligada a uma tomada.

Alteração do idioma


O idioma do ecrã pode ser configurado quando o aparelho é ligado pela primeira vez.

Utilize ▲ ou ▼ para seleccionar um idioma de uma lista. O medidor muda automaticamente para o ecrã de medição passados 3 segundos.

Nota: ▲ Para alterar o idioma a partir do menu principal, prima .

Operação padrão

Calibração

| ▲ PERIGO | |
|--|---|
|  | Perigo de exposição a produtos químicos. Siga os procedimentos de segurança do laboratório e utilize todo o equipamento de protecção pessoal adequado aos produtos químicos manuseados. Consulte as fichas de dados sobre segurança de materiais (MSDS/SDS) para protocolos de segurança. |

Procedimento de calibração

Este procedimento serve para utilização geral com soluções de calibração líquida. Para obter informações adicionais, consulte os documentos fornecidos com cada sonda.

Nota: As soluções devem ser agitadas durante a calibração. Para obter mais informações acerca das definições de agitação, consulte [Alterar as definições de agitação](#) na página 69.

1. Deite os tampões ou as soluções de calibração dentro dos tubos de calibração rotulados.
2. No menu principal, prima ↵ para seleccionar a calibração de pH ou mV.
3. Enxagúe a sonda com água desionizada e coloque a sonda no primeiro tubo de calibração. Certifique-se de que não existem bolhas de ar presas na membrana.
4. Prima ↵ para medir a primeira solução de calibração. É apresentada a próxima solução de calibração.
5. Enxagúe a sonda com água desionizada e insira a sonda no segundo tubo de calibração. Certifique-se de que não existem bolhas de ar presas na membrana.
6. Prima ↵ para medir a segunda solução de calibração. É apresentada a próxima solução de calibração.

7. Enxagúe a sonda com água desionizada e insira a sonda no terceiro tubo de calibração. Certifique-se de que não existem bolhas de ar presas na membrana.
8. Prima ↵ para medir a terceira solução de calibração. Quando a calibração for adequada, o ecrã mostra a indicação 3.º tampão OK durante uns instantes e, em seguida, passa para o menu principal.

Ver os dados de calibração

Podem ser apresentados os dados da calibração mais recente.

1. No menu principal, prima ↵ .
2. Utilize a tecla ▼ para ver os dados da última calibração. O medidor muda automaticamente para o ecrã de medição passados 3 segundos.

Definir o lembrete de calibração

O lembrete de calibração pode ser definido entre 0 e 23 horas ou 1 a 7 dias (a predefinição é de 1 dia). O ecrã mostra o tempo restante para a nova calibração.

Nota: Se a opção "0 dias" estiver seleccionada, o lembrete de calibração é desactivado.

1. No menu principal, prima ↵ e, em seguida, prima ▼ até o ecrã apresentar Frequência cal.
2. Utilize ▲ ou ▼ para alterar o valor. O medidor muda automaticamente para o ecrã de medição passados 3 segundos.

Medição de amostras

Cada sonda tem passos de preparação e procedimentos específicos para obter medições de amostra. Para obter instruções passo a passo, consulte os documentos fornecidos com a sonda.

Nota: As soluções devem ser agitadas durante a medição. Para obter mais informações acerca das definições de agitação, consulte [Alterar as definições de agitação](#) na página 69.

Nota: A temperatura não é apresentada durante uma medição ORP (mV) se a sonda de temperatura não estiver ligada.

Prima pH ou ORP (mV) para efectuar uma medição de amostra. Durante as medições, o parâmetro fica intermitente e o temporizador mostra o tempo de estabilização. Para alterar o parâmetro de medição (se aplicável), mantenha premido pH ou ORP (mV).

Para medir continuamente a amostra, prima pH ou ORP (mV) para iniciar a medição e novamente durante a estabilização. O parâmetro fica intermitente para indicar o modo de medição contínua.

Operação avançada

Alterar a data e a hora

A data e a hora podem ser alteradas no menu Data e Hora.


1. Utilize ▼ para aceder ao menu Data e Hora. Formato de data e hora: dd-mm-aaaa 24h.
O atributo a alterar é realçado automaticamente e avança para o atributo seguinte se premir a opção ▲ ou ▼.
2. Para alterar um atributo, prima ▲ ou ▼ quando o atributo realçado estiver seleccionado.
A data e hora actuais serão exibidos no ecrã.

Ajustar o contraste do display

1. Prima ▲ e ▼ em simultâneo para entrar no menu Contraste display.
2. Utilize ▲ e ▼ para ajustar o contraste do ecrã. O medidor muda automaticamente para o ecrã de medição passados 3 segundos.

Alterar as definições de agitação

A velocidade de agitação pode ser alterada durante a calibração ou uma medição.


1. Prima  durante uma calibração ou medição para aceder ao menu Agitação.
2. Utilize ▲ ou ▼ para alterar a velocidade de agitação em %.

Alterar as unidades de medida

As unidades de temperatura podem ser alteradas para Celsius ou Fahrenheit.

1. No ecrã principal, prima .
2. Prima  para seleccionar Celsius ou Fahrenheit.

Manutenção

| | |
|---|--|
| ⚠ AVISO | |
|  | Vários perigos. Apenas pessoal qualificado deverá realizar as tarefas descritas nesta secção do documento. |

| | |
|--|--|
| ATENÇÃO | |
| Não desmonte o instrumento para proceder à manutenção. Se for necessário limpar ou reparar os componentes internos, contacte o fabricante. | |

Limpeza do produto

| | |
|--|--|
| ATENÇÃO | |
| Nunca utilize produtos de limpeza como terebintina, acetona ou semelhantes para limpar o instrumento, incluindo o visor e os acessórios. | |

Limpe o exterior do instrumento com um pano humedecido e uma solução de sabão suave.

Limpeza da sonda

Limpe a sonda conforme necessário. Consulte [Resolução de problemas](#) na página 72 para obter mais informações acerca de limpeza.

Consulte a documentação da sonda para obter informações acerca da manutenção da sonda.

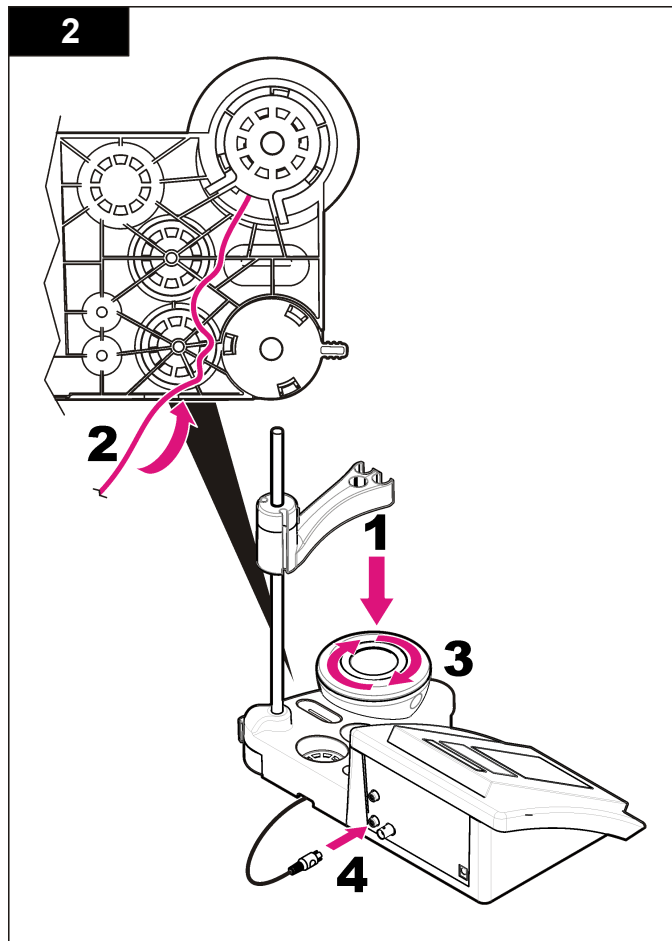
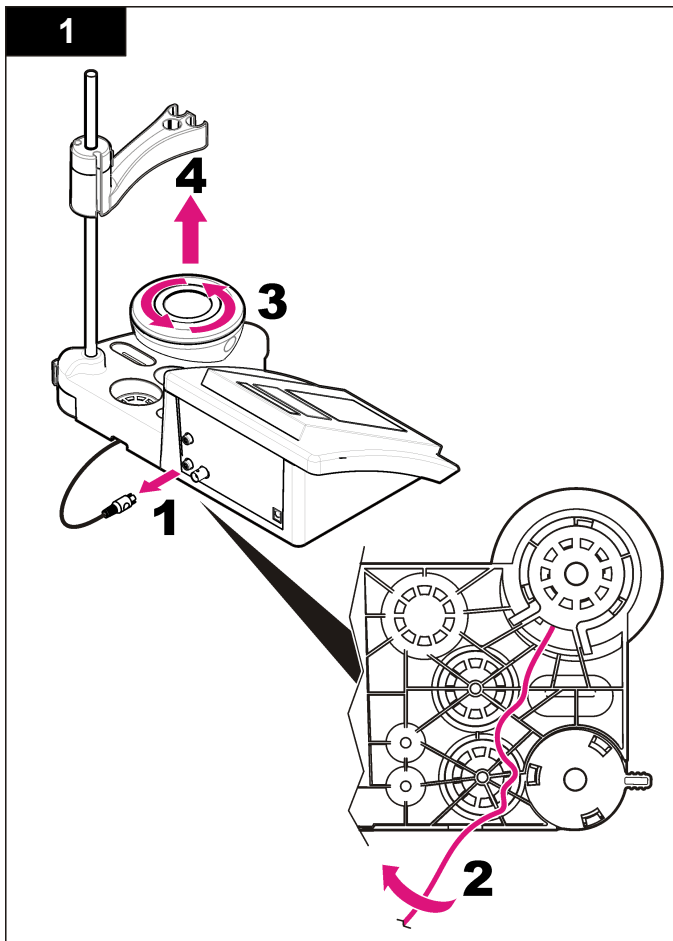
Utilize os agentes de limpeza indicados em [Tabela 1](#) acerca de contaminações na sonda de pH.

Tabela 1 Agentes de limpeza para a sonda pH

| Contaminação | Agente de limpeza |
|------------------------|-----------------------------------|
| Proteínas | Solução de limpeza com pepsina |
| Graxa, óleos, gorduras | Solução de limpeza com eléctrodos |
| Calcário | Solução 0.1 N HCl |

Substituir o agitador magnético

Se o agitador magnético não for iniciado, siga os passos numerados para substituir o agitador magnético.



Resolução de problemas

Consulte a tabela que se segue em caso de mensagens de erro ou sintomas comuns, possíveis causas e acções correctivas.

Tabela 2 Avisos e erros de calibração




| Erro/Aviso | Solução |
|---|--|
| Assimetria > 58 mV | Declive fora de intervalo (valores aceites ± 58 mV). Repetir com  . Ligue uma nova sonda. |
| Tampão ou eléctrodo em condições deficientes. | Repetir com  . Examine a sonda: limpe a sonda (consulte Limpeza da sonda na página 69 para obter mais informações); certifique-se de que não existem bolhas de ar na membrana. Agite a sonda, tal como faria com um termómetro; ligue uma sonda diferente para verificar se o problema está relacionado com a sonda ou o medidor. |
| Sens. (a) < 70% | Examine a solução de tampão: certifique-se de que o tampão utilizado corresponde ao tampão especificado na configuração; assegure-se de que configurou a temperatura específica; utilize a nova solução de tampão. |
| TAMPÃO NÃO RECONHECIDO | |
| VALOR INSTÁVEL Hora > 100 s | Repetir com  . Examine a sonda: limpe a sonda (consulte Limpeza da sonda na página 69 para obter mais informações); certifique-se de que não existem bolhas de ar na membrana. Agite a sonda, tal como faria com um termómetro; ligue uma sonda diferente para verificar se o problema está relacionado com a sonda ou o medidor. Certifique-se de que a membrana e o diafragma estão mergulhados correctamente na amostra. |

Tabela 2 Avisos e erros de calibração (continuação)


| Erro/Aviso | Solução |
|-------------------------------------|---|
| Eléctrodo em condições deficientes. | Examine a sonda: limpe a sonda (consulte Limpeza da sonda na página 69 para obter mais informações); certifique-se de que não existem bolhas de ar na membrana. Agite a sonda, tal como faria com um termómetro; ligue uma sonda diferente para verificar se o problema está relacionado com a sonda ou o medidor. |
| Verificar o eléctrodo | |
| TAMPÕES IDÉNTICOS | Repetir com  . Examine a sonda: limpe a sonda (consulte Limpeza da sonda na página 69 para obter mais informações); certifique-se de que não existem bolhas de ar na membrana. Agite a sonda, tal como faria com um termómetro; ligue uma sonda diferente para verificar se o problema está relacionado com a sonda ou o medidor. Examine a solução de tampão: utilize uma nova solução de tampão. |

Tabela 3 Avisos e erros de calibração


| Erro/Aviso | Solução |
|----------------------|--|
| pH 12,78 19 °C | Repetir com  . |
| pH fora do intervalo | Examine a sonda: limpe a sonda (consulte Limpeza da sonda na página 69 para obter mais informações); certifique-se de que não existem bolhas de ar na membrana. Agite a sonda, tal como faria com um termómetro; ligue uma sonda diferente para verificar se o problema está relacionado com a sonda ou o medidor. |

Tabela 3 Avisos e erros de calibração (continuação)

| Erro/Aviso | Solução |
|----------------------------|---|
| Temp. fora do intervalo °C | Examine o sensor de temperatura. Ligue uma sonda diferente para verificar se existe algum problema com a sonda ou o medidor. |
| Hora > 150 s | Certifique-se de que a membrana e o diafragma estão mergulhados correctamente na amostra. Verifique a temperatura. Examine a sonda: limpe a sonda (consulte Limpeza da sonda na página 69 para obter mais informações); certifique-se de que não existem bolhas de ar na membrana. Agite a sonda, tal como faria com um termómetro; ligue uma sonda diferente para verificar se o problema está relacionado com a sonda ou o medidor. |

Acessórios e peças de substituição

Nota: Os números do Produto e Artigo podem variar consoante as regiões de venda. Para mais informações de contacto, contacte o distribuidor apropriado ou consulte o site web da empresa.

Componentes de substituição

| Descrição | Item nº |
|---|-----------------|
| Medidor de pH sensION+ PH3 Lab com acessórios, sem sonda | LPV2000.98.0002 |
| Medidor de pH sensION+ PH31 Lab com acessórios, sem sonda | LPV2100.98.0002 |
| medidor de iões e ph sensION+ MM340 Lab, GLP, 2 canais, com acessórios, sem sonda | LPV2200.98.0002 |
| medidor de condutividade sensION+ EC7 Lab, com acessórios, sem sonda | LPV3010.98.0002 |
| medidor de condutividade sensION+ EC71 Lab, com acessórios, sem sonda | LPV3110.98.0002 |
| sensION+ MM374, medidor Lab de 2 canais, GLP, acessórios, sem sonda | LPV4110.98.0002 |

Consumíveis

| Descrição | Item nº |
|--|------------|
| Solução de tampão de pH 4.01, 125 mL | LZW9460.99 |
| Solução de tampão de pH 7.00, 125 mL | LZW9461.98 |
| Solução de tampão de pH 10.01, 125 mL | LZW9470.99 |
| Solução de tampão de pH 4.01, 250 mL | LZW9463.99 |
| Solução de tampão de pH 7.00, 250 mL | LZW9464.98 |
| Solução de tampão de pH 10.01, 250 mL | LZW9471.99 |
| Solução de tampão de pH 4.01, 1000 mL | LZW9466.99 |
| Solução de tampão de pH 7.00, 1000 mL | LZW9467.98 |
| Solução de tampão de pH 10.01, 1000 mL | LZW9472.99 |
| Solução electrolítica (KCl 3M), 125 mL | LZW9510.99 |
| Solução electrolítica (KCl 3M), 250 mL | LZW9500.99 |
| Solução electrolítica (KCl 3M), 50 mL | LZW9509.99 |
| Solução electrolítica 0.1 M, 125 mL | LZW9901.99 |
| Solução enzimática | 2964349 |
| Solução de limpeza com pepsina | 2964349 |
| Solução de limpeza com eléctrodos | 2965249 |
| Solução 0.1 N HCl | 1481253 |

Acessórios

| Descrição | Item nº |
|--|------------|
| Agitador magnético com suporte para o sensor, para bancada sensION+ MM | LZW9319.99 |
| Provetas impressas de 3x50 mL para calibração da bancada de pH | LZW9110.98 |

Acessórios (continuação)

| Descrição | Item nº |
|---|------------|
| Suporte para três sensores, para instrumentos da bancada sensiON+ | LZW9321.99 |
| Suporte e grampo para três sensores | LZW9155.99 |
| Câmara de vidro de pirex, medições de fluxo contínuo | LZW9118.99 |
| Sistema de protecção PP, armazenamento de eléctrodos | LZW9161.99 |

Soluções padrão

Soluções de tampões técnicos (DIN 19267)

Consulte [Tabela 4](#) valores de pH e POR (mV) dos conjuntos de tampões específicos a diversas temperaturas.

Tabela 4 Valores de pH, ORP (mV) e temperatura

| Temperatura | | pH | | | | | mV |
|-------------|-----------|-------------|-------------|-------------|-------------|--------------|------------|
| °C | °F | | | | | | |
| 0 | 32 | 2.01 | 4.01 | 7.12 | 9.52 | 10.30 | — |
| 10 | 50 | 2.01 | 4.00 | 7.06 | 9.38 | 10.17 | 245 |
| 20 | 68 | 2.00 | 4.00 | 7.02 | 9.26 | 10.06 | 228 |
| 25 | 77 | 2.00 | 4.01 | 7.00 | 9.21 | 10.01 | 220 |
| 30 | 86 | 2.00 | 4.01 | 6.99 | 9.16 | 9.96 | 212 |
| 40 | 104 | 2.00 | 4.03 | 6.97 | 9.06 | 9.88 | 195 |
| 50 | 122 | 2.00 | 4.06 | 6.97 | 8.99 | 9.82 | 178 |
| 60 | 140 | 2.00 | 4.10 | 6.98 | 8.93 | 9.76 | 160 |
| 70 | 158 | 2.01 | 4.16 | 7.00 | 8.88 | — | — |
| 80 | 176 | 2.01 | 4.22 | 7.04 | 8.83 | — | — |
| 90 | 194 | 2.01 | 4.30 | 7.09 | 8.79 | — | — |

Technické údaje

Technické údaje podléhají změnám bez předchozího upozornění.

| Technické parametry | Podrobnosti |
|---------------------------------|--|
| Rozměry | 35 x 20 x 11 cm (13.78 x 7.87 x 4.33 palce) |
| Hmotnost | 1100 g (2.43 lb) |
| Krytí | IP42 |
| Požadavky na napájení (externí) | 100–240 V, 0,4 A, 47-63 Hz |
| Ochranná třída měřidla | Třída II |
| Skladovací teplota | –15 až +65 °C (5 až +149 °F) |
| Provozní teplota | 0 až 40 °C (41 až 104 °F) |
| Provozní vlhkost | < 80 % (nekondenzující) |
| Rozlišení | pH: 0.01, ORP: 1 mV, teplota: 0.1 °C (0.18 °F) |
| Chyba měření (± 1 číslice) | pH: ≤ 0.01, ORP: ≤ 1 mV, teplota: ≤ 0,2 °C (≤ 0,36 °F) |
| Opakovatelnost (± 1 číslice) | pH: ± 0.01, ORP: ± 1 mV, teplota: ± 0.1 °C (± 0.18 °F) |
| Konektory | Kombinovaná nebo měřicí sonda: konektor BNC (imp. >10 ¹² Ω); Referenční elektroda: banánkový konektor; A.T.C. typ Pt 1000: banánkový nebo telefonní konektor; magnetická míchačka: konektor RCA |
| Korekce teploty | Ruční, teplotní sonda Pt 1000 (A.T.C.), sonda NTC 10 kΩ |
| Režim měření | Kontinuální měření, podle stability |
| Displej | Tekutý krystal, podsvícení, 128x64 bodů |

| Technické parametry | Podrobnosti |
|---------------------|--------------------------|
| Klávesnice | PET s ochranným povrchem |
| Certifikace | CE |

Obecné informace

Revidovaná vydání jsou dostupná na internetových stránkách výrobce.

Bezpečnostní informace

UPOZORNĚNÍ

Výrobce neodpovídá za škody způsobené nesprávnou aplikací nebo nesprávným použitím tohoto produktu včetně (nikoli pouze) přímých, náhodných a následných škod a zřídka se odpovědnosti za takové škody v plném rozsahu, nakolik to umožňuje platná legislativa. Uživatel je výhradně zodpovědný za určení kritických rizik aplikace a za instalaci odpovídajících mechanismů ochrany procesů během potenciální nesprávné funkce zařízení.

Před vybalením, montáží a uvedením přístroje do provozu si prosím pozorně přečtete celý tento návod. Zvláštní pozornost věnujte všem upozorněním na možná nebezpečí a výstražným informacím. V opačném případě může dojít k vážným poraněním obsluhy a poškození přístroje.

Ujistěte se, že nedošlo k poškození obalu tohoto zařízení a přístroj nepoužívejte a neinstalujte jinak, než jak je uvedeno v tomto návodu.

Informace o možném nebezpečí

▲ NEBEZPEČÍ

Označuje možnou nebo bezprostředně rizikovou situaci, jež může v případě, že jí nezabráníte, vést k usmrcení nebo vážnému zranění.

▲ VAROVÁNÍ

Upozorňuje na možné nebo skryté nebezpečné situace, jež by bez vhodných preventivních opatření mohly vést k úmrtí nebo vážnému poranění.

⚠ POZOR



Upozorňuje na možnou nebezpečnou situaci, jež by mohla mít za následek menší nebo mírné poranění.

UPOZORNĚNÍ

Označuje situaci, která může způsobit poškození přístroje, pokud se nezabrání jejímu vzniku. Upozorňuje na informace vyžadující zvláštní pozornost.

Výstražné symboly

Přečtěte si všechny nálepky a etikety připevněné k přístroji. V opačném případě může dojít k poranění osob nebo poškození přístroje. Odkazy na symboly na přístroji naleznete v návodu spolu s výstražnou informací.

| | |
|--|---|
|  | Tento symbol, pokud je uveden na zařízení, odkazuje na provozní a/nebo bezpečnostní informace uvedené v uživatelské příručce. |
|  | Elektrické zařízení označené tímto symbolem se nesmí likvidovat v evropských systémech domácího nebo veřejného odpadu. Staré nebo vysloužilé zařízení vraťte výrobci k bezplatné likvidaci. |

Celkový přehled

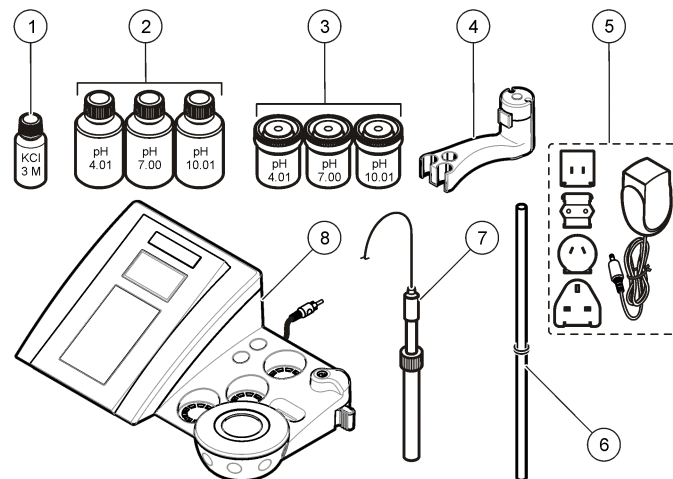
Měřidla řady sensION™+ se používají se sondami k měření různých parametrů vody.

Měřidlo sensION™+ PH3 měří pH, ORP (mV) nebo teplotu.

Součásti výrobku

Přesvědčte se, zda byly dodány všechny součásti, viz **Obr. 1**. V případě, že některé položky chybí nebo jsou poškozené, se ihned obraťte na výrobce nebo příslušného obchodního zástupce.

Obr. 1 Součásti měřidla

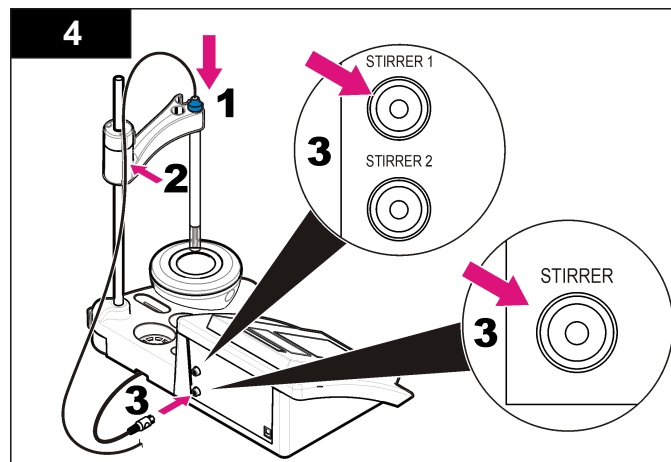
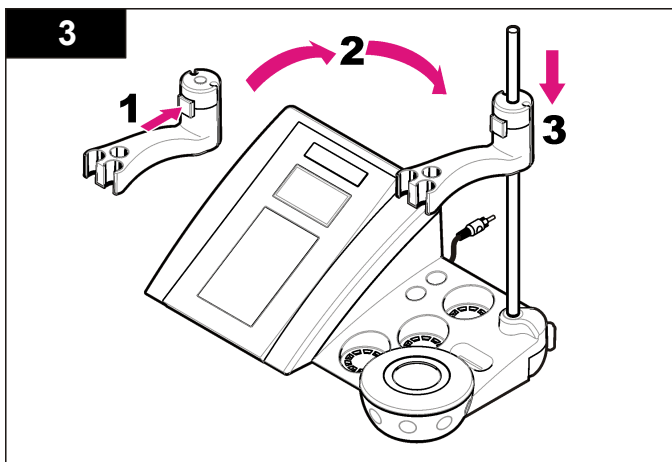
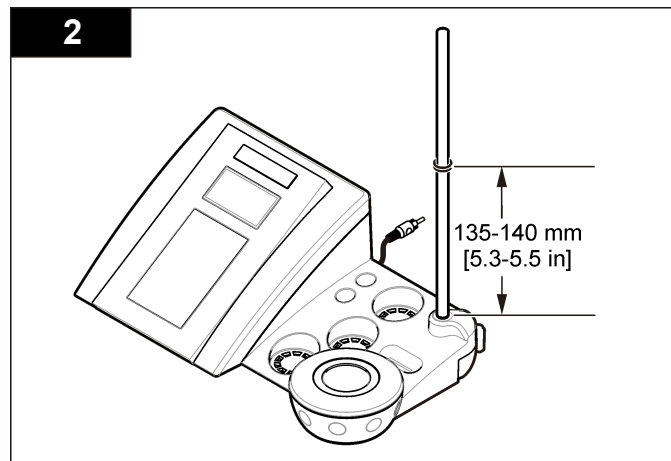
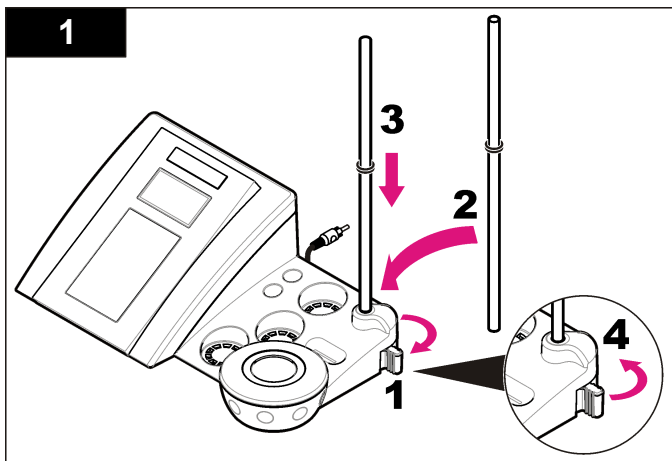


| | |
|---|--------------------------|
| 1 Elektrolyt pro sondu | 5 Zdroj napájení |
| 2 Pufrové roztoky (pH 4,01, pH 7,00 a pH 10,01) | 6 Tyč s o-kroužkem |
| 3 Kalibrační kádinky (s magnetickým míchadlem uvnitř) | 7 Sonda (pouze v sadách) |
| 4 Držák sondy | 8 Měřidlo |

Instalace

Sestavení držáku sondy

Při sestavování držáku sondy postupujte podle číselovaných kroků a připojte magnetickou míchačku.



Připojení ke zdroji střídavého proudu (AC)

⚠ NEBEZPEČÍ

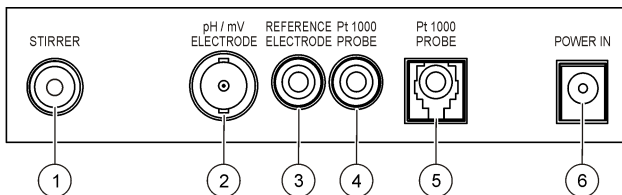


Nebezpečí poranění elektrickým proudem. Pokud se toto zařízení používá mimo kryté prostory nebo na potenciálně vlhkých místech, musí se k připojení zařízení k hlavnímu zdroji napájení použít vypínač zemních poruchových proudů (GFCI/GFI).

Měřidlo je možné napájet střídavým proudem pomocí univerzálního napájecího adaptéru.

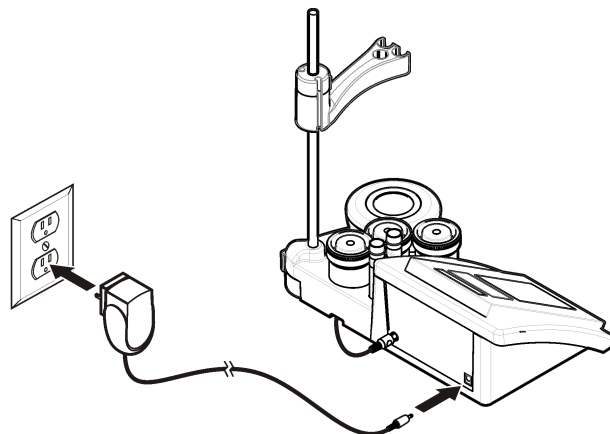
1. Ze sady adaptéru vyberte správnou zástrčku adaptéru pro výstup napájení.
2. Připojte k měřidlu univerzální napájecí adaptér (Obr. 2).
3. Do zásuvky napájení střídavým proudem zapojte univerzální napájecí adaptér (Obr. 3).
4. Zapněte měřidlo.

Obr. 2 Panel konektorů



| | |
|---|--------------------------------------|
| 1 Konektor magnetické míchačky | 4 Konektor teplotní sondy |
| 2 Kombinovaný konektor elektrody pH (nebo měřící) | 5 Konektor samostatné teplotní sondy |
| 3 Konektor referenční elektrody (samostatných elektrod) | 6 Zdroj napájení |

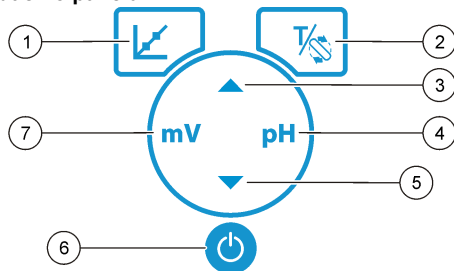
Obr. 3 Připojení zdroje napájení střídavým proudem



Uživatelské rozhraní a navigační tlačítka

Uživatelské rozhraní

Popis ovládacího panelu

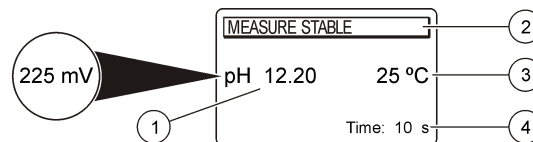


| | |
|--|--|
| 1 Klávesa KALIBRACE: spuštění kalibrace, zobrazení dat kalibrace a změna intervalu kalibrace | 5 Klávesa DOLŮ: přechod na další možnosti, změna hodnoty |
| 2 Klávesa TEPLOTA a MÍCHADLO: změna teploty (°C, °F) nebo rychlosti míchání | 6 ON/OFF: zapnutí nebo vypnutí měřidla |
| 3 Klávesa NAHORU: přechod na další možnosti, změna hodnoty | 7 Klávesa měření mV: spuštění měření ORP (mV) |
| 4 Klávesa měření pH: spuštění měření pH | |

Popis displeje

Měřidlo zobrazuje koncentraci, jednotku, teplotu, stav kalibrace, datum a čas.

Obr. 4 Displej s jedinou obrazovkou



| | |
|---|-------------------------------|
| 1 Měrná jednotka a hodnota (pH, ORP (mV)) | 3 Teplota vzorku (°C nebo °F) |
| 2 Režim měření nebo čas a datum | 4 Vizualní časovač měření |

Navigace

Sondu můžete zkalibrovat pomocí klávesy kalibrace . Měření vzorku můžete provést pomocí klávesy parametrů. Pomocí klávesy TEMPERATURE (Teplota) a STIRRER (Míchadlo) můžete změnit teplotu (°C, °F) nebo rychlost míchání. Chcete-li procházet jiné možnosti nebo změnit hodnotu, použijte klávesy se šipkami . Při jednotlivých úlohách bedlivě sledujte displej, protože obrazovky se rychle střídají. U každé úlohy si prostudujte konkrétní pokyny.

Spuštění

Vypněte a zapněte měřidlo

UPOZORNĚNÍ

Než měřidlo zapnete, zkontrolujte připojení sondy k měřidlu.

Stisknutím klávesy měřidlo zapnete nebo vypnete. Pokud se měřidlo nezapne, zkontrolujte, zda je správně připojeno napájení střídavým proudem k elektrické zásuvce.

Změna jazyka



Při prvním zapnutí měřidla se zvolí jazyk displeje.

Pomocí klávesy ▲ nebo ▼ můžete vybrat jazyk ze seznamu. Po uplynutí 3 sekund se měřidlo automaticky vrátí na obrazovku měření.

Poznámka: ▲ Chcete-li změnit jazyk z hlavní nabídky, stiskněte klávesu .

Standardní operace

Kalibrace

| ▲ NEBEZPEČÍ | |
|--|---|
|  | Nebezpečí expozice chemikáliím. Dodržujte laboratorní bezpečnostní postupy a noste veškeré osobní ochranné pomůcky vyžadované pro manipulaci s příslušnými chemikáliemi. Viz aktuální datové bezpečnostní listy (MSDS/SDS). |
|  | |

Postup kalibrace

Tento postup je určen pro všeobecné použití s tekutými kalibračními roztoky. Další informace si prostudujte v dokumentech přiložených k jednotlivým sondám.

Poznámka: Během kalibrace roztoky míchejte. Další informace o nastavení míchání viz [Změna nastavení míchání na straně 81](#).

1. Nalijte pufové nebo kalibrační roztoky do označených kalibračních kádinek.
2. V hlavní nabídce zvolte kalibraci pH nebo mV pomocí klávesy ↵ .
3. Opláchněte sondu deionizovanou vodou a vložte sondu nejprve do první kalibrační kádinky. Zkontrolujte, že na membráně nejsou žádné vzduchové bublinky.
4. Stisknutím klávesy ↵ nejprve změřte první kalibrační roztok. Zobrazí se další kalibrační roztok.
5. Opláchněte sondu deionizovanou vodou a vložte ji do druhé kalibrační kádinky. Zkontrolujte, že na membráně nejsou žádné vzduchové bublinky.
6. Stisknutím klávesy ↵ změřte druhý kalibrační roztok. Zobrazí se další kalibrační roztok.

7. Opláchněte sondu deionizovanou vodou a vložte ji do třetí kalibrační kádinky. Zkontrolujte, že na membráně nejsou žádné vzduchové bublinky.
8. Stisknutím klávesy ↵ změřte třetí kalibrační roztok. Je-li kalibrace v pořádku, displej zobrazí krátce hlášení 3r Buffer OK (Třetí pufr v pořádku) a potom se vrátí do hlavní nabídky.

Zobrazení kalibračních dat

Lze zobrazit data z poslední kalibrace.

1. V hlavní nabídce stiskněte klávesu ↵ .
2. Chcete-li prohlížet poslední data kalibrace, stiskněte ▼ . Po uplynutí 3 sekund se měřidlo automaticky vrátí na obrazovku měření.

Nastavení připomenutí kalibrace

Připomenutí kalibrace lze nastavit na 1 až 23 hodin nebo 1-7 dní (výchozí nastavení je 1 den). Displej zobrazuje zbývající dobu do nové kalibrace.

Poznámka: Je-li zvoleno nastavení 0 dní, připomenutí kalibrace se vypne.

1. V hlavní nabídce stiskněte klávesu ↵ a potom stiskněte klávesu ▼ , dokud se na displeji nezobrazí Cal. frequency (Interval kalibrace).
2. Pomocí klávesy ▲ nebo ▼ můžete změnit hodnotu. Po uplynutí 3 sekund se měřidlo automaticky vrátí na obrazovku měření.

Měření vzorků

Pro jednotlivé sondy existují specifické kroky přípravy a postupy měření vzorku. Podrobné pokyny získáte v dokumentaci dodané se sondou.

Poznámka: Během měření roztoky míchejte. Další informace o nastavení míchání viz [Změna nastavení míchání na straně 81](#).

Poznámka: Během měření ORP (mV) se teplota nezobrazuje, když není sonda připojena.

Stisknutím pH nebo ORP (mV) zahájíte měření vzorku. Během měření bliká parametr a časovač zobrazí dobu stabilizace. Chcete-li změnit






parametry měření (je-li to vhodné), stiskněte a podržte pH nebo ORP (mV).

Chcete-li měřit vzorky kontinuálně, stiskněte pH nebo ORP (mV) pro zahájení měření a opět stiskněte pH nebo ORP (mV) během stabilizace. Parametr blikáním signalizuje režim kontinuálního měření.





Rozšířené operace

Změna data a času

Datum a čas lze měnit v nabídce Date and Time (Datum a čas).




1. Pomocí klávesy  přejděte do nabídky Date and Time (Datum a čas). Formát data a času: dd-mm-rrrr 24h. Upravovaný atribut se automaticky zvýrazní, a pokud nestisknete klávesu  nebo , kurzor automaticky přejde na další atribut.
2. Chcete-li změnit zvýrazněný atribut, který je právě vybraný, stiskněte klávesu  nebo . Na displeji se objeví aktuální datum a čas.

Nastavení kontrastu displeje

1. Současným stisknutím kláves  a  vstoupíte do nabídky Display contrast (Kontrast displeje).
2. Pomocí klávesy  nebo  upravte kontrast a potvrďte. Po uplynutí 3 sekund se měřidlo automaticky vrátí na obrazovku měření.



Změna nastavení míchání

Rychlost míchání lze změnit během kalibrace i během měření.

1. Stisknutím klávesy  během kalibrace nebo během měření přejdete do nabídky míchání.
2. Pomocí klávesy  nebo  můžete změnit rychlost míchání v %.

Změna jednotek teploty

Jednotky teploty lze změnit na jednotky Celsia nebo jednotky Fahrenheita.

1. Na hlavní obrazovce stiskněte klávesu .
2. Stisknutím  můžete vybrat jednotky Celsia nebo jednotky Fahrenheita.

Údržba

▲ POZOR



Různá nebezpečí. Práce uvedené v tomto oddíle dokumentu smí provádět pouze dostatečně kvalifikovaný personál.

UPOZORNĚNÍ

Při údržbě nerozebírejte přístroj. Pokud je nutné vyčistit nebo opravit vnitřní součásti, obraťte se na výrobce.

Vyčistěte přístroj

UPOZORNĚNÍ

K čištění měřicího přístroje včetně displeje a příslušenství nikdy nepoužívejte čisticí prostředky, jako je např. terpentýn, aceton a podobné látky.

Navlhčenou utěrkou a jemným mýdlovým roztokem očistěte vnější části přístroje.

Čištění sondy

Vyčistěte sondu podle potřeby. Více informací o čištění viz [Poruchy, jejich příčiny a odstraňování](#) na straně 84. Informace o údržbě sondy viz dokumentace sondy.

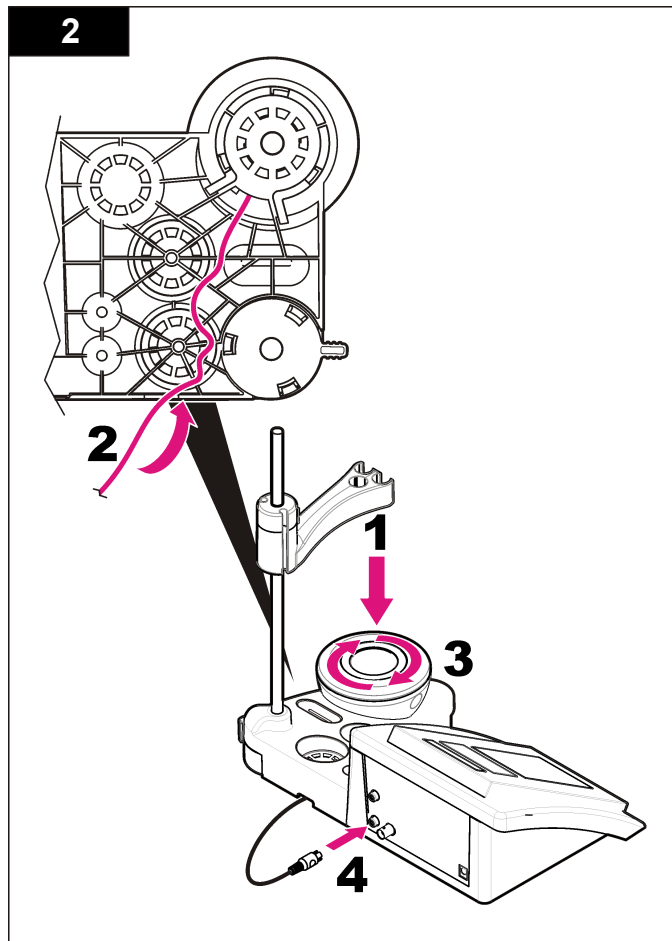
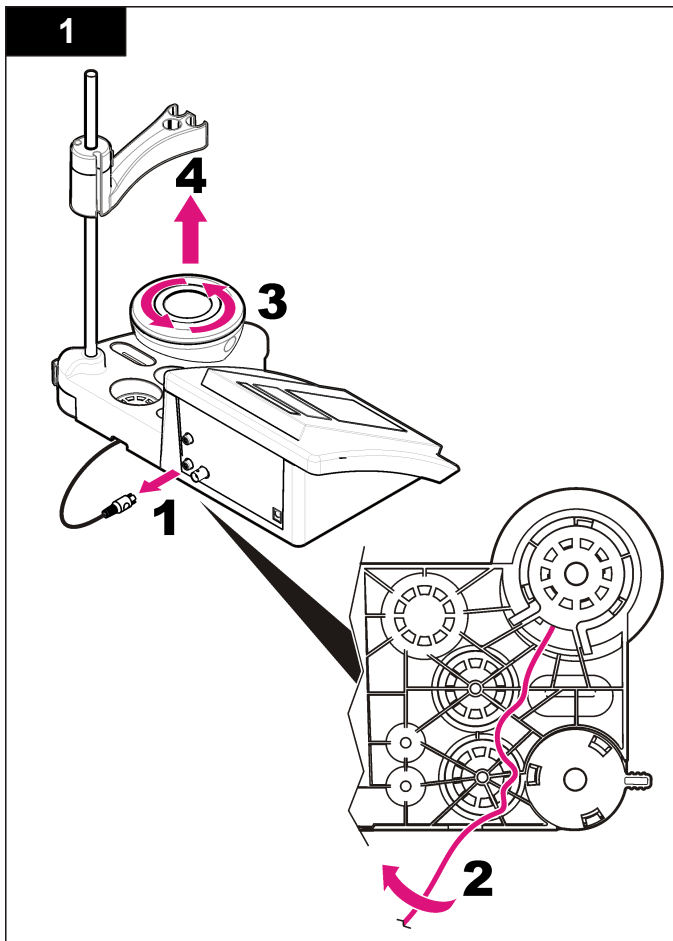
Pro odstraňování kontaminace na sondě pH použijte čisticí prostředky uvedené v [Tabulka 1](#).

Tabulka 1 Čistící prostředky pro sondu pH

| Kontaminace | Čistící prostředek |
|---------------------|------------------------------|
| Proteiny | Pepsinový čistící prostředek |
| Mazivo, oleje, tuky | Čistící roztok pro elektrody |
| Vodní kámen | Roztok 0,1 N HCl |

Výměna magnetické míchačky




Pokud se magnetická míchačka nespustí, postupujte podle číslovaných kroků a vyměňte magnetickou míchačku.




Poruchy, jejich příčiny a odstraňování

Viz následující tabulku uvádějící společná hlášení nebo příznaky problémů, možné příčiny a kroky vedoucí k nápravě.


Tabulka 2 Varování a chyby kalibrace

| Chyba/varování | Roztok |
|---|--|
| Asymmetry > 58 mV (Asymetrie větší než 58 mV) | Sklon mimo rozsah (přijatelné hodnoty ± 58 mV). Opakujte pomocí  . Připojte novou sondu. |
| Buffer or electrode in poor conditions. (Pufř nebo elektroda ve špatném stavu.) | Opakujte pomocí  . Vyšetřete sondu: Vyčistěte sondu (více informací viz Čištění sondy na straně 81); zkontrolujte, že na membráně nejsou žádné vzduchové bublinky. Skleptejte sondu podobně jako teploměr; Připojením jiné sondy ověřte, zda je vadná sonda nebo měřidlo. |
| Sens. (a) < 70% (Senz. a nižší než 70 %) | |
| BUFFER NOT RECOGNIZED (Pufř nerozpoznán) | Vyšetřete pufrový roztok: Zkontrolujte, že použitý pufř odpovídá pufři specifikované v konfiguraci; zkontrolujte teplotní specifikaci v konfiguraci; použijte nový pufrový roztok. |
| UNSTABLE READING (Nestabilní hodnota) Time > 100 s (Doba t větší než 100 s) | Opakujte pomocí  . Vyšetřete sondu: Vyčistěte sondu (více informací viz Čištění sondy na straně 81); zkontrolujte, že na membráně nejsou žádné vzduchové bublinky. Skleptejte sondu podobně jako teploměr; připojením jiné sondy ověřte, zda je vadná sonda nebo měřidlo. Zkontrolujte, zda jsou membrána a diafragma řádně ponořené do vzorku. |

Tabulka 2 Varování a chyby kalibrace (pokračování)

| Chyba/varování | Roztok |
|---|--|
| Electrode in poor conditions. (Elektroda ve špatném stavu.) | Vyšetřete sondu: Vyčistěte sondu (více informací viz Čištění sondy na straně 81); zkontrolujte, že na membráně nejsou žádné vzduchové bublinky. Skleptejte sondu podobně jako teploměr; připojením jiné sondy ověřte, zda je vadná sonda nebo měřidlo. |
| Kontrola elektrody | |
| SAME BUFFERS (Stejná pufř) | Opakujte pomocí  . Vyšetřete sondu: Vyčistěte sondu (více informací viz Čištění sondy na straně 81); zkontrolujte, že na membráně nejsou žádné vzduchové bublinky. Skleptejte sondu podobně jako teploměr; připojením jiné sondy ověřte, zda je vadná sonda nebo měřidlo. Vyšetřete pufrový roztok: Použijte nový pufrový roztok. |

Tabulka 3 Varování a chyby měření

| Chyba/varování | Roztok |
|----------------------------------|--|
| pH 12,78 19 °C | Opakujte pomocí  . |
| pH out of range (pH mimo rozsah) | Vyšetřete sondu: Vyčistěte sondu (více informací viz Čištění sondy na straně 81); zkontrolujte, že na membráně nejsou žádné vzduchové bublinky. Skleptejte sondu podobně jako teploměr; připojením jiné sondy ověřte, zda je vadná sonda nebo měřidlo. |

Tabulka 3 Varování a chyby měření (pokračování)

| Chyba/varování | Roztok |
|---|---|
| Temp out of range °C (Teplota mimo rozsah) | Vyšetřete snímač teploty. Připojením jiné sondy ověřte, zda je problém se sondou nebo měřidlem. |
| Time > 150 s (Doba delší než 150 s) | Zkontrolujte, zda jsou membrána a diafragma řádně ponořené do vzorku. Vyšetřete teplotu. Vyšetřete sondu: Vyčistěte sondu (více informací viz Čištění sondy na straně 81); zkontrolujte, že na membráně nejsou žádné vzduchové bublinky. Skleptejte sondu podobně jako teploměr; připojením jiné sondy ověřte, zda je vadná sonda nebo měřidlo. |

Náhradní díly a příslušenství

Poznámka: Čísla produktů a položek se mohou v různých regionech prodeje lišit. Pokud potřebujete kontaktní informace, obraťte se na příslušného dodavatele nebo se podívejte na webovou stránku společnosti.

Náhradní díly

| Popis | Položka č. |
|---|-----------------|
| Měřidlo sensION+ PH3 Lab pH s příslušenstvím, bez sondy | LPV2000.98.0002 |
| Měřidlo sensION+ PH31 Lab pH, GLP, s příslušenstvím, bez sondy | LPV2100.98.0002 |
| Měřidlo sensION+ MM340 Lab pH & Ion, GLP, 2 kanály, s příslušenstvím, bez sondy | LPV2200.98.0002 |
| Měřidlo vodivosti sensION+ EC7 Lab, s příslušenstvím, bez sondy | LPV3010.98.0002 |
| Měřidlo vodivosti sensION+ EC71 Lab, GLP, s příslušenstvím, bez sondy | LPV3110.98.0002 |
| Měřidlo sensION+ MM374, 2kanálové laboratorní měřidlo, GLP, s příslušenstvím, bez sondy | LPV4110.98.0002 |

Spotřební materiál

| Popis | Položka č. |
|--|------------|
| Pufrový roztok pH 4,01; 125 mL | LZW9460.99 |
| Pufrový roztok pH 7,00; 125 mL | LZW9461.98 |
| Pufrový roztok pH 10,01; 125 mL | LZW9470.99 |
| Pufrový roztok pH 4,01; 250 mL | LZW9463.99 |
| Pufrový roztok pH 7,00; 250 mL | LZW9464.98 |
| Pufrový roztok pH 10,01; 250 mL | LZW9471.99 |
| Pufrový roztok pH 4,01; 1000 mL | LZW9466.99 |
| Pufrový roztok pH 7,00; 1000 mL | LZW9467.98 |
| Pufrový roztok pH 10,01; 1000 mL | LZW9472.99 |
| Elektrolytický roztok (KCl 3M), 125 ml | LZW9510.99 |
| Elektrolytický roztok (KCl 3M), 250 ml | LZW9500.99 |
| Elektrolytický roztok (KCl 3M), 50 ml | LZW9509.99 |
| Elektrolytický roztok 0,1 M, 125 ml | LZW9901.99 |
| Enzymový roztok | 2964349 |
| Pepsinový čisticí roztok | 2964349 |
| Čisticí roztok pro elektrody | 2965249 |
| Roztok 0,1 N HCl | 1481253 |

Příslušenství

| Popis | Položka č. |
|--|------------|
| Magnetická míchačka s držákem sondy, pro stolní přístroj sensION+ MM | LZW9319.99 |
| 3x50 ml potištěné kádinky pro kalibraci pH stolního přístroje | LZW9110.98 |

Příslušenství (pokračování)

| Popis | Položka č. |
|--|------------|
| Držák tří snímačů, pro stolní přístroje sensION+ | LZW9321.99 |
| Držák a spona pro tři sondy | LZW9155.99 |
| Průtočná cela z Pyrex skla | LZW9118.99 |
| Chráníč PP, uskladnění elektrod | LZW9161.99 |

Standardní roztoky

Technické pufové roztoky (DIN 19267)

Viz [Tabulka 4](#) s hodnotami pH a ORP (mV) specifických pufových souprav při různých teplotách.

Tabulka 4 Hodnoty pH, ORP (mV) a teploty

| Teplota | | pH | | | | | mV |
|-----------|-----------|-------------|-------------|-------------|-------------|--------------|------------|
| °C | °F | | | | | | |
| 0 | 32 | 2,01 | 4,01 | 7,12 | 9,52 | 10,30 | — |
| 10 | 50 | 2,01 | 4,00 | 7,06 | 9,38 | 10,17 | 245 |
| 20 | 68 | 2,00 | 4,00 | 7,02 | 9,26 | 10,06 | 228 |
| 25 | 77 | 2,00 | 4,01 | 7,00 | 9,21 | 10,01 | 220 |
| 30 | 86 | 2,00 | 4,01 | 6,99 | 9,16 | 9,96 | 212 |
| 40 | 104 | 2,00 | 4,03 | 6,97 | 9,06 | 9,88 | 195 |
| 50 | 122 | 2,00 | 4,06 | 6,97 | 8,99 | 9,82 | 178 |
| 60 | 140 | 2,00 | 4,10 | 6,98 | 8,93 | 9,76 | 160 |
| 70 | 158 | 2,01 | 4,16 | 7,00 | 8,88 | — | — |
| 80 | 176 | 2,01 | 4,22 | 7,04 | 8,83 | — | — |
| 90 | 194 | 2,01 | 4,30 | 7,09 | 8,79 | — | — |

Specifikationer

Specifikationerne kan ændres uden varsel.

| Specifikation | Detaljer |
|------------------------------|---|
| Dimensioner | 35 x 20 x 11 cm |
| Vægt | 1.100 g |
| Beskyttelsesklasse, kapsling | IP42 |
| Strømforsyning (ekstern) | 100 – 240 V, 0,4 A, 47 - 63 Hz |
| Målerbeskyttelsesklasse | Klasse II |
| Opbevaringstemperatur | -15 til +65 °C |
| Driftstemperatur | 0 til 40 °C (41 til 104 °F) |
| Luffugtighed, drift | < 80 % (uden kondensering) |
| Opløsning | pH: 0,01, ORP: 1 mV, temperatur: 0,1 °C |
| Målefejl (± 1 ciffer) | pH: ≤ 0,01, ORP: ≤ 1 mV, temperatur: ≤ 0,2 °C |
| Reproducerbarhed (± 1 cifre) | pH: ± 0,01, ORP: ± 1 mV, temperatur: ± 0,1 °C |
| Forbindelser | Kombineret eller indikatorprobe: BNC-stik (Imp. >10 ¹² Ω); Referenceelektrode: Bananstik; A.T.C. type Pt 1000: Banan- eller telefonstik; magnetisk omrører: RCA-stik |
| Temperaturkorrektion | Manuel, Pt 1000 temperaturprobe (A.T.C.), NTC 10 kΩ-probe |
| Lås af målervisning | Fortsat måling, efter stabilitet |
| Skærm | Flydende krystal, bagbelyst, 128 x 64 dots |
| Tastatur | PET med beskyttende behandling |
| Certificering | CE |

Generelle oplysninger

Reviderede udgaver kan findes på producentens webside.

Oplysninger vedr. sikkerhed

BEMÆRKNING

Producenten er ikke ansvarlig for eventuelle skader på grund af forkert anvendelse eller misbrug af dette produkt, herunder uden begrænsning direkte skader, hændelige skader eller følgeskader, og fraskriver sig ansvaret for sådanne skader i det fulde omfang, som tillades ifølge gældende lov. Kun brugeren er ansvarlig for at identificere alvorlige risici ved anvendelsen og installere relevante mekanismer til beskyttelse af processerne i forbindelse med en eventuel fejl på udstyret.

Læs hele manualen, inden udpakning, installation eller betjening af dette udstyr. Overhold alle farehensvisninger og advarsler. Undladelse heraf kan medføre, at brugeren kommer alvorligt til skade eller beskadigelse af apparatet.

Kontroller, at den beskyttelse, som dette udstyr giver, ikke forringes. Du må ikke bruge eller installere dette udstyr på nogen anden måde end den, der er angivet i denne manual.

Brug af sikkerhedsoplysninger

▲ FARE

Angiver en eventuel eller overhængende farlig situation, der vil medføre dødsfald eller alvorlige kvæstelser, hvis den ikke undgås.

▲ ADVARSEL

Angiver en potentiel eller umiddelbart farlig situation, som kan resultere i død eller alvorlig tilskadekomst, hvis den ikke undgås.

▲ FORSIGTIG



Indikerer en potentiel farlig situation, der kan resultere i mindre eller moderat tilskadekomst.

BEMÆRKNING

Angiver en situation, der kan medføre skade på instrumentet, hvis ikke den undgås. Oplysninger, der er særligt vigtige.

Sikkerhedsmærkater

Læs alle skilte og mærkater, som er placeret på apparatet. Der kan opstå person- eller instrumentskade, hvis forholdsreglerne ikke respekteres. I håndbogen refereres der til et symbol på instrumentet med en forholdsreglerklæring.

| | |
|--|--|
|  | Hvis dette symbol findes på instrumentet, henviser det til instruktionsmanualen vedrørende drifts- og/eller sikkerhedsoplysninger. |
|  | Elektrisk udstyr mærket med dette symbol må, i Europa, ikke bortskaffes i sammen med husholdningsaffald eller offentligt affald. Returner gammelt eller udtjent udstyr til producenten til bortskaffelse uden gebyr. |

Produktoversigt

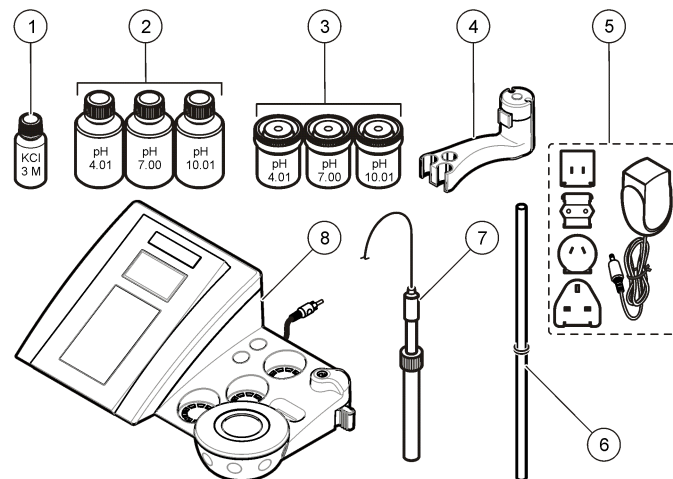
sensION™-målerne bruges sammen med prober til at måle forskellige parametre i vand.

sensION™+ PH3-måleren måler pH, ORP (mV) eller temperatur.

Produktkomponenter

Se under [Figur 1](#) for at sikre, at alle komponenter er modtaget. Kontakt producenten eller en forhandler med det samme, hvis dele mangler eller er beskadigede.

Figur 1 Målekomponenter

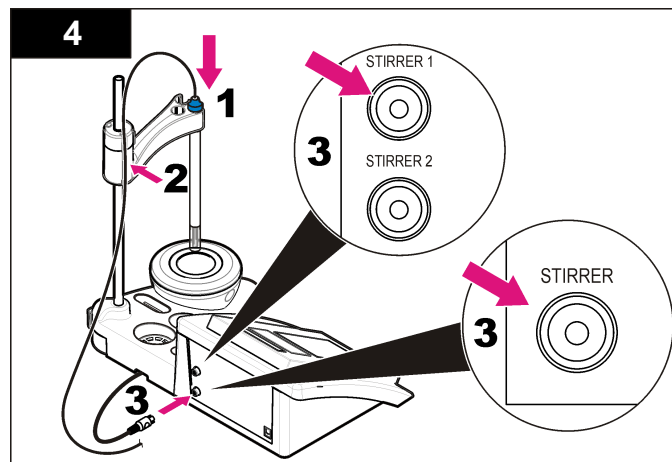
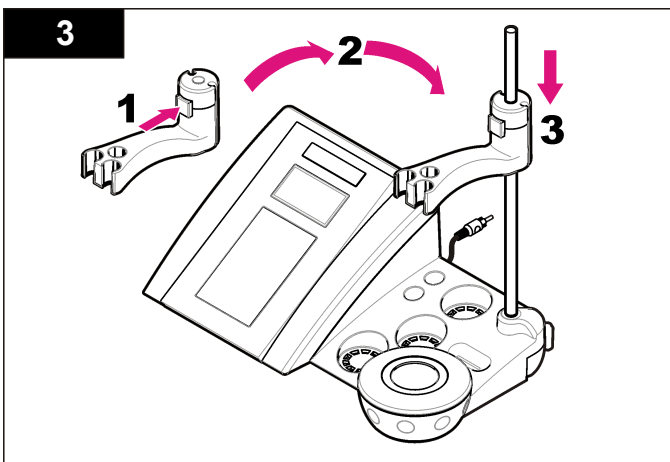
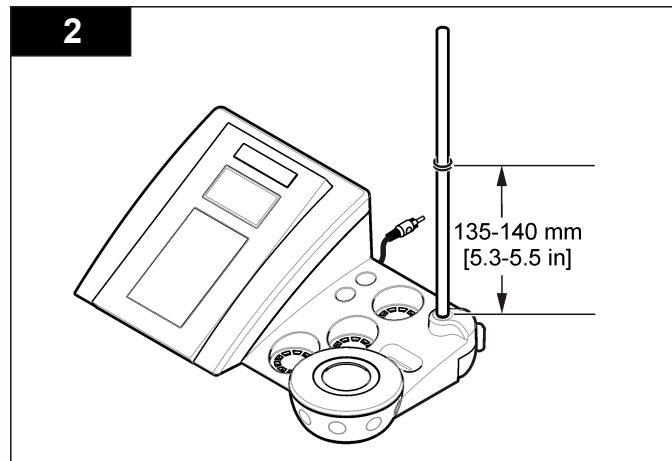
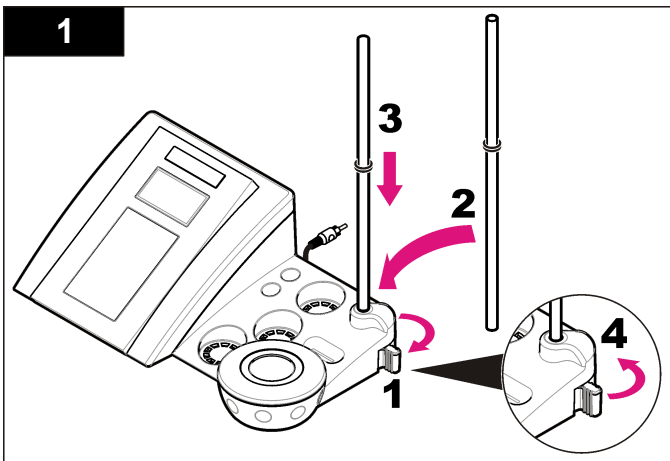


| | |
|---|-----------------------------------|
| 1 Elektrolyt til proben | 5 Strømforsyning |
| 2 Bufferopløsninger (pH 4,01; pH 7,00 og pH 10,01) | 6 Stang med o-ring |
| 3 Kalibreringsbægre (med magnetisk linje på indersiden) | 7 Sensor (kun inkluderet med sæt) |
| 4 Sensorbeholder | 8 Instrument |

Installation

Samling af probeholderen

Følg de nummererede trin for at samle probeholderen og tilslutte den magnetiske omrører.



Tilslut til vekselstrøm

⚠ FARE

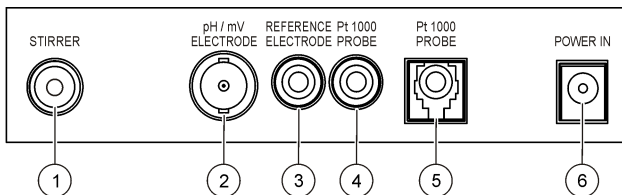


Risiko for livsfarlige elektriske stød. Hvis dette udstyr anvendes udenørs eller på steder, som kan være våde, skal der anvendes en Jordfejlsafbryder til at forbinde udstyret til dets netstrømkilde.

Instrumentet kan få vekselstrøm fra universalstrømadapteren.

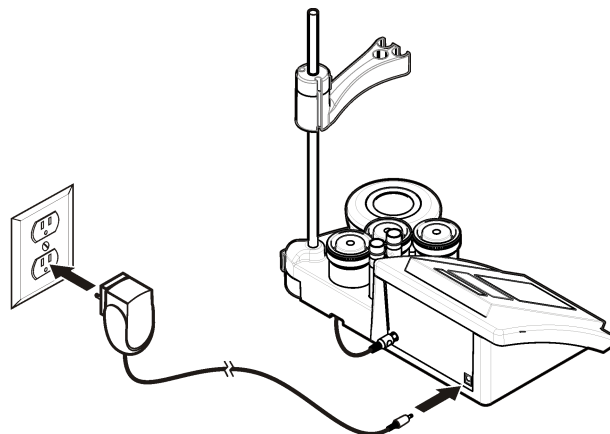
1. Vælg det rigtige adapterstik til stikkontakten fra adaptersættet.
2. Tilslut universalstrømadapteren til instrumentet (Figur 2).
3. Tilslut universalstrømadapteren til en vekselstrømsstikkontakt (Figur 3).
4. Tænd instrumentet.

Figur 2 Stikpanel



| | |
|---|--------------------------------------|
| 1 Stik til magnetisk omrører | 4 Stik til temperaturprobe |
| 2 Stik til kombineret pH-elektrode (eller indikator) | 5 Stik til separeret temperaturprobe |
| 3 Stik til referenceelektrode (separerede elektroder) | 6 Strømforsyning |

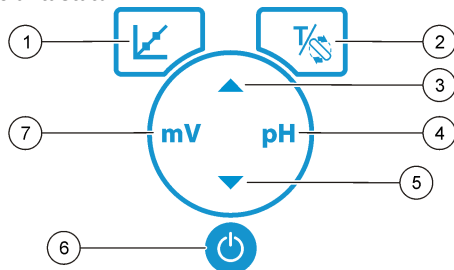
Figur 3 Vekselstrømstilslutning



Brugergrenseflade og navigation

Brugergrenseflade

Beskrivelse af tastatur

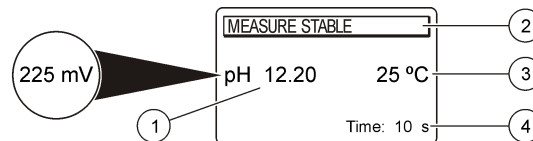


| | |
|---|---|
| 1 Tasten CALIBRATION: Start en kalibrering, vis kalibreringsdata, og skift kalibreringsfrekvens | 5 Tasten DOWN: Rul til andre indstillinger, ændr en værdi |
| 2 Tasten TEMPERATURE og STIRRER: Skift temperatur (°C, °F) eller omrøringshastighed | 6 ON/OFF: Tænd og sluk måleren |
| 3 Tasten UP: Rul til andre indstillinger, ændr en værdi | 7 Tasten mV-measurement: Start en ORP-måling (mV) |
| 4 Tasten pH-measurement: Start en pH-måling | |

Skærmbeskrivelse

Målerskærmen viser koncentration, enheder, temperatur, kalibreringsstatus, dato og klokkeslæt.

Figur 4 Enkeltskærmsvisning



| | |
|---|---------------------------------|
| 1 Måleenhed og -værdi (pH, ORP (mV)) | 3 Prøvetemperatur (°C eller °F) |
| 2 Måletilstand eller klokkeslæt og dato | 4 Visuel måletimer |

Navigation

Brug kalibreringsnøglen til at kalibrere proben. Brug parameternøglen til at udføre en prøvemåling. Brug tasten TEMPERATURE (Temperatur) og STIRRER (Omrører) for at ændre temperaturen (°C, °F) eller omrøringshastigheden. Brug piletasterne til at rulle til andre indstillinger eller ændre en værdi. Sørg for, at se på displayet under opgaver, da skærmene ændres hurtigt. Se hver opgave for særlige instruktioner.

Startup (Opstart)

Tænd og sluk for måleren

BEMÆRKNING

Sørg for, at proben er tilsluttet måleren, før du tænder for måleren.

Tryk på for at tænde eller slukke måleren. Hvis måleren ikke tændes, skal du kontrollere, at vekselstrømsforsyningen er tilsluttet korrekt til en stikkontakt.

Ændring af sprog

Skærmsproget vælges, når måleren tændes for første gang.

Brug ▲ eller ▼ til at vælge et sprog på listen. Måleren vender automatisk tilbage til målingsskærmen efter 3 sekunder.

BEMÆRK: ▲ Tryk på for at ændre sproget på hovedmenuen.

Standardbetjening




Kalibrering


| ▲ FARE | |
|--|---|
|  | Fare for eksponering for kemiske stoffer. Overhold laboratoriets sikkerhedsprocedurer, og bær alt det personlige beskyttelsesudstyr, der er nødvendigt for at beskytte dig mod de kemikalier, du bruger. Se de aktuelle sikkerhedsdataark (MSDS/SDS) for sikkerhedsprotokoller. |

Kalibreringsprocedure

Denne procedure er til generel brug ved flydende kalibreringsopløsninger. Se de dokumenter, som leveres sammen med hver probe, for at få yderligere oplysninger.


BEMÆRK: Opløsninger skal altid omrøres under kalibreringer. Se [Ændring af omrøringsindstillingerne](#) på side 93 for at få flere oplysninger om omrøringsindstillingerne.

1. Hæld bufferne eller kalibreringsopløsningerne i de mærkede kalibreringsbægre.
2. Tryk på  på hovedmenuen for at vælge pH- eller mV-kalibrering.
3. Skyl proben med afioniseret vand, og læg den i det første kalibreringsbæger. Sørg for, at der ikke er luftbobler i membranen.
4. Tryk på  for at måle den første kalibreringsopløsning. Den næste kalibreringsopløsning vises.
5. Skyl proben med afioniseret vand, og sæt den i det andet kalibreringsbæger. Sørg for, at der ikke er luftbobler i membranen.
6. Tryk på  for at måle den anden kalibreringsopløsning. Den næste kalibreringsopløsning vises.
7. Skyl proben med afioniseret vand, og sæt den i det tredje kalibreringsbæger. Sørg for, at der ikke er luftbobler i membranen.

8. Tryk på  for at måle den tredje kalibreringsopløsning. Når kalibreringen er god, viser displayet 3rd Buffer OK (3. buffer OK) et kort øjeblik og skifter derefter til hovedmenuen.

Se kalibreringsdata


Data fra den sidste kalibrering kan vises.

1. Tryk på  i hovedmenuen.
2. Brug ▼ til at få vist de seneste kalibreringsdata. Måleren vender automatisk tilbage til målingsskærmen efter 3 sekunder.

Indstil kalibreringspåmindelsen

Du kan indstille kalibreringspåmindelsen mellem 0 og 23 timer eller 1 - 7 dage (standard er 1 dag). Skærmen viser den resterende tid til den nye kalibrering.

BEMÆRK: Hvis du vælger 0 dage, deaktiveres kalibreringspåmindelsen.

1. Tryk på  på hovedmenuen, og tryk derefter på ▼, indtil skærmen viser Cal. frequency (Kalibreringshyppighed).
2. Brug ▲ eller ▼ til at ændre værdien. Måleren vender automatisk tilbage til målingsskærmen efter 3 sekunder.

Prøvmålinger

Hver sensor har sine egne forberedelsestrin og procedurer for måling af prøver. I de dokumenter, der følger med sensoren, findes en trinvis vejledning.

BEMÆRK: Opløsninger skal omrøres under måling. Se [Ændring af omrøringsindstillingerne](#) på side 93 for at få flere oplysninger om omrøringsindstillingerne.

BEMÆRK: Temperaturen vises ikke under en ORP (mV) måling, når temperatursensoren ikke er tilsluttet.

Tryk på pH eller ORP (mV) for at lave en prøvemåling. Under måling blinker parameteren, og timeren viser stabiliseringstiden. For at ændre måleparameteren (hvis relevant), tryk og hold pH eller ORP (mV).

For at måle kontinuerligt, skal du trykke på pH eller ORP (mV) for at starte målingen, og trykke på pH eller ORP (mV) igen under

stabiliseringen. Parameteren blinker for at angive den kontinuerlige måletilstand.

Udvidet betjening

Ændring af dato og tid

Dato og klokkeslæt kan ændres i menuen Date and Time (Dato og tid).


1. Brug ▼ til at åbne menuen Date and Time (Dato og tid). Dato- og tidsformatet: dd-mm-åååå 24t.
Den attribut, der skal ændres, fremhæves automatisk, og der skiftes til næste attribut, hvis du ikke trykker på ▲ eller ▼.
2. Du ændrer en attribut ved at trykke på ▲ eller ▼, når den fremhævede attribut er valgt.
Den aktuelle dato og det aktuelle klokkeslæt vises på skærmen.

Juster skærkontrasten

1. Tryk på ▲ og ▼ samtidigt for at åbne menuen Display contrast (Kontrast skærm).
2. Brug ▲ og ▼ til at justere skærmens kontrast. Måleren vender automatisk tilbage til målings-skærmen efter 3 sekunder.


Ændring af omrøringsindstillingerne


Omrøringshastigheden kan ændres under kalibrering og under en måling.

1. Tryk på  under en kalibrering eller under en måling til at åbne omrøringsmenuen.
2. Brug ▲ eller ▼ til at ændre omrøringshastigheden i %.

Ændring af temperaturehederne

Temperaturehederne kan ændre til Celsius eller Fahrenheit.

1. Tryk på  på hovedskærmen.

2. Tryk på  for at vælge mellem Celsius eller Fahrenheit.

Vedligeholdelse

▲ FORSIGTIG



Flere risici Kun kvalificeret personale må udføre de opgaver, som er beskrevet i dette afsnit i dokumentet.

BEMÆRKNING

Du må ikke skille instrumentet ad ved vedligeholdelse. Kontakt producenten, hvis de interne komponenter skal rengøres eller repareres.

Rengør instrumentet

BEMÆRKNING

Brug aldrig rengøringsmidler som f.eks. terpentin, acetone eller lignende produkter til at rengøre instrumentet, herunder displayet og tilbehøret.

Rengør instrumentets ydre med en fugtig klud og en mild sæbeopløsning.

Rengør proben

Rengør proben efter behov. Se [Fejlsøgning](#) på side 96 for at få yderligere oplysninger om rengøring. Se probedokumentationen for at få oplysninger om probevedligeholdelsen.

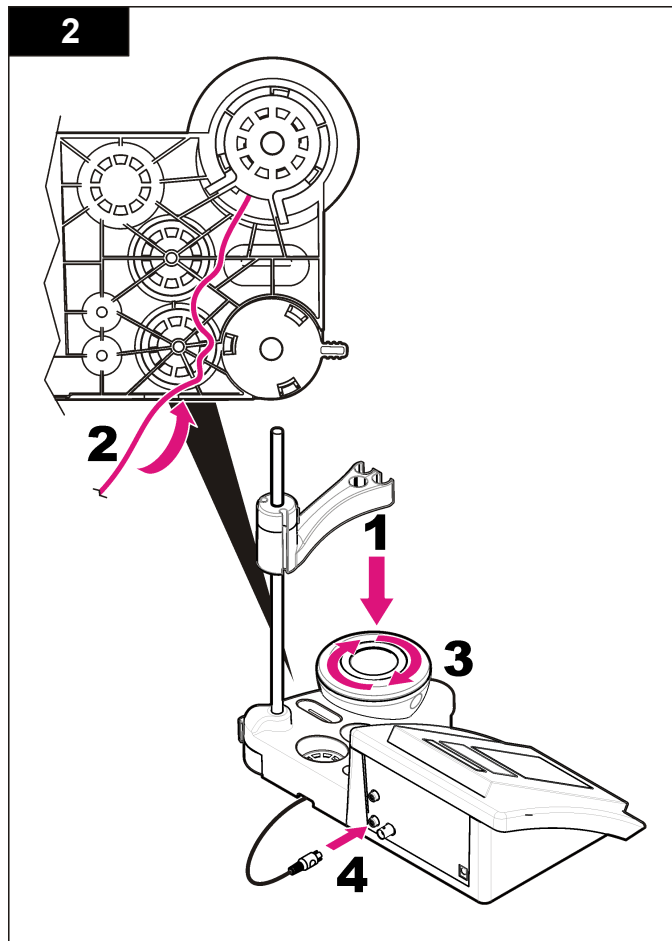
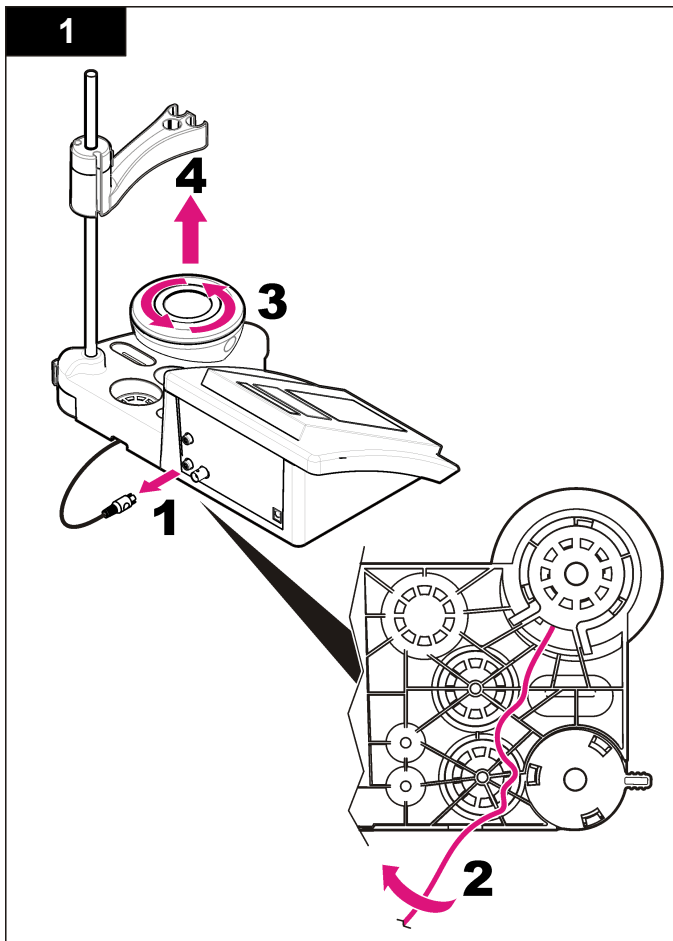
Brug de rensedmidler, der er vist i [Tabel 1](#), for kontaminanter på pH-proben.

Tabel 1 Rensedmidler for pH-proben

| Kontamination | Rensedmiddel |
|--------------------------|--------------------------|
| Proteiner | Pepsin-rekseopløsning |
| Fedt, olier, fedtstoffer | Elektrode-rekseopløsning |
| Kalkaflejring | 0,1 N HCl-opløsning |

Udskiftning af den magnetiske omrører




Hvis den magnetiske omrører ikke starter, skal du følge de nummererede trin for at udskifte den magnetiske omrører.




Fejlsøgning

I følgende tabel vises almindelige fejlmeddelelser og -symptomer, mulige årsager og udbedrende handlinger.

Tabel 2 Kalibreringsadvarsler og -fejl

| Fejl/Advarsel | Opløsning |
|--|---|
| Asymmetry > 58 mV (Asymmetri > 58 mV) | Hældning uden for område (accepterede værdier: ± 58 mV). Gentag med  . Tilslut en ny probe. |
| Buffer or electrode in poor conditions. (Buffer eller elektrode i dårlig stand.) | Gentag med  . Undersøg proben: Rengør proben (se Rengør proben på side 93 for at få yderligere oplysninger). Sørg for, at der ikke er luftbobler i membranen. Ryst proben som et termometer. Tilslut en anden probe for at afgøre, om problemet skyldes proben eller måleren. |
| Sens. (a) < 70 % | |
| BUFFER NOT RECOGNIZED (BUFFER GENKENDES IKKE) | Undersøg bufferopløsningen: Sørg for, at den buffer, der bruges, passer med den buffer, der er angivet i konfigurationen. Kontroller temperaturspecifikationen i konfigurationen. Brug en ny bufferopløsning. |
| UNSTABLE READING (USTABIL AFLÆSNING) Time > 100 s (Tid > 100 s) | Gentag med  . Undersøg proben: Rengør proben (se Rengør proben på side 93 for at få yderligere oplysninger). Sørg for, at der ikke er luftbobler i membranen. Ryst proben som et termometer. Tilslut en anden probe for at afgøre, om problemet skyldes proben eller måleren. Sørg for, at membranen og diafragmaen er korrekt nedsænket i prøven. |

Tabel 2 Kalibreringsadvarsler og -fejl (fortsat)

| Fejl/Advarsel | Opløsning |
|---|--|
| Electrode in poor conditions. (Elektrode i dårlig stand.) | Undersøg proben: Rengør proben (se Rengør proben på side 93 for at få yderligere oplysninger). Sørg for, at der ikke er luftbobler i membranen. Ryst proben som et termometer. Tilslut en anden probe for at afgøre, om problemet skyldes proben eller måleren. |
| Check the electrode (Tjek elektroden) | |
| SAME BUFFERS (SAMME BUFFERE) | Gentag med  . Undersøg proben: Rengør proben (se Rengør proben på side 93 for at få yderligere oplysninger). Sørg for, at der ikke er luftbobler i membranen. Ryst proben som et termometer. Tilslut en anden probe for at afgøre, om problemet skyldes proben eller måleren. Undersøg bufferopløsningen: Brug en ny bufferopløsning. |

Tabel 3 Måleadvarsler og -fejl


| Fejl/Advarsel | Opløsning |
|--------------------------------------|---|
| pH 12,78 19 °C | Gentag med  . |
| pH out of range (pH uden for område) | Undersøg proben: Rengør proben (se Rengør proben på side 93 for at få yderligere oplysninger). Sørg for, at der ikke er luftbobler i membranen. Ryst proben som et termometer. Tilslut en anden probe for at afgøre, om problemet skyldes proben eller måleren. |

Table 3 Måleadvarsler og -fejl (fortsat)

| Fejl/Advarsel | Opløsning |
|--|---|
| Temp out of range °C (Temperatur uden for område °C) | Undersøg temperatursensoren. Tilslut en anden probe for at afgøre, om problemet skyldes proben eller måleren. |
| Time > 150 s (Tid > 150 s) | Sørg for, at membranen og diafragmaen er korrekt nedsænket i prøven. Examine the temperature. (Undersøg temperaturen) Undersøg proben: Rengør proben (se Rengør proben på side 93 for at få yderligere oplysninger). Sørg for, at der ikke er luftbobler i membranen. Ryst proben som et termometer. Tilslut en anden probe for at afgøre, om problemet skyldes proben eller måleren. |

Reserve dele og tilbehør

BEMÆRK: Produkt- og varenumre kan variere i visse salgsregioner. Kontakt den relevante distributør, eller se virksomhedens webside for kontaktinformation.

Reserve dele

| Beskrivelse | Varenr. |
|--|-----------------|
| sensION+ PH3 Lab pH-måler med ekstraudstyr, uden sensor | LPV2000.98.0002 |
| sensION+ PH31 Lab pH-måler, GLP, med ekstraudstyr, uden sensor | LPV2100.98.0002 |
| sensION+ MM340 Lab pH- og ion-måler, GLP, 2 kanaler, med ekstraudstyr, uden sensor | LPV2200.98.0002 |
| sensION+ EC7 Lab-ledningsevne måler, med ekstraudstyr, uden sensor | LPV3010.98.0002 |
| sensION+ EC71 Lab-ledningsevne måler, GLP, med ekstraudstyr, uden sensor | LPV3110.98.0002 |
| sensION+ MM374, Lab-måler med 2 kanaler, GLP, ekstraudstyr, uden sensorer | LPV4110.98.0002 |

Forbrugsprodukter

| Beskrivelse | Varenr. |
|--|------------|
| Bufferopløsning for pH 4,01, 125 mL | LZW9460.99 |
| Bufferopløsning for pH 7,00, 125 mL | LZW9461.98 |
| Bufferopløsning for pH 10,01, 125 mL | LZW9470.99 |
| Bufferopløsning for pH 4,01, 250 mL | LZW9463.99 |
| Bufferopløsning for pH 7,00, 250 mL | LZW9464.98 |
| Bufferopløsning for pH 10,01, 250 mL | LZW9471.99 |
| Bufferopløsning for pH 4,01, 1000 mL | LZW9466.99 |
| Bufferopløsning for pH 7,00, 1000 mL | LZW9467.98 |
| Bufferopløsning for pH 10,01, 1000 mL | LZW9472.99 |
| Elektrolytisk opløsning (KCl 3M), 125 mL | LZW9510.99 |
| Elektrolytisk opløsning (KCl 3M), 250 mL | LZW9500.99 |
| Elektrolytisk opløsning (KCl 3M), 50 mL | LZW9509.99 |
| Elektrolytisk opløsning 0,1 M, 125 mL | LZW9901.99 |
| Enzymopløsning | 2964349 |
| Pepsin-rensopløsning | 2964349 |
| Elektrode-rensopløsning | 2965249 |
| 0,1 N HCl-opløsning | 1481253 |

Tilbehør

| Beskrivelse | Varenr. |
|--|------------|
| Magnetisk omrører med sensorholder, til sensION+ MM benchtop | LZW9319.99 |
| 3 x 50 mL påtrykte bægre til benchtop pH-kalibrering | LZW9110.98 |
| Tre-sensorholder, til sensION+ benchtop-instrumenter | LZW9321.99 |

Tilbehør (fortsat)

| Beskrivelse | Varenr. |
|---|------------|
| Holder og klemme til tre sensorer | LZW9155.99 |
| Pyrex-glaskammer, uafbrudte flow-målinger | LZW9118.99 |
| PP-beskytter, elektrodeopbevaring | LZW9161.99 |

Standardopløsninger

Tekniske bufferopløsninger (DIN 19267)

Se [Tabel 4](#) pH- og ORP (mV) værdier af bestemte buffersæt med forskellige temperaturer.

Tabel 4 pH, ORP (mV) og temperaturværdier

| Temperatur | | pH | | | | | mV |
|------------|-----------|-------------|-------------|-------------|-------------|--------------|------------|
| °C | °F | | | | | | |
| 0 | 32 | 2,01 | 4,01 | 7,12 | 9,52 | 10,30 | — |
| 10 | 50 | 2,01 | 4,00 | 7,06 | 9,38 | 10,17 | 245 |
| 20 | 68 | 2,00 | 4,00 | 7,02 | 9,26 | 10,06 | 228 |
| 25 | 77 | 2,00 | 4,01 | 7,00 | 9,21 | 10,01 | 220 |
| 30 | 86 | 2,00 | 4,01 | 6,99 | 9,16 | 9,96 | 212 |
| 40 | 104 | 2,00 | 4,03 | 6,97 | 9,06 | 9,88 | 195 |
| 50 | 122 | 2,00 | 4,06 | 6,97 | 8,99 | 9,82 | 178 |
| 60 | 140 | 2,00 | 4,10 | 6,98 | 8,93 | 9,76 | 160 |
| 70 | 158 | 2,01 | 4,16 | 7,00 | 8,88 | — | — |
| 80 | 176 | 2,01 | 4,22 | 7,04 | 8,83 | — | — |
| 90 | 194 | 2,01 | 4,30 | 7,09 | 8,79 | — | — |

Specificaties

Specificaties kunnen zonder kennisgeving vooraf worden gewijzigd.

| Specificatie | Details |
|---------------------------------|---|
| Afmetingen | 35 x 20 x 11 cm (13,78 x 7,87 x 4,33 inch) |
| Gewicht | 1100 g (2,43 lb) |
| Afdichtingsgraad | IP42 |
| Voedingseisen (extern) | 100–240 V, 0,4 A, 47–63 Hz |
| Beschermingsklasse meter | Klasse II |
| Temperatuurbereik opslag | –15 tot +65 °C (5 tot +149 °F) |
| Temperatuurbereik gebruik | 0 tot 40 °C (41 tot 104 °F) |
| Luchtvochtigheid gebruik | < 80% (niet-condenserend) |
| Resolutie | pH: 0.01, ORP: 1 mV, temperatuur: 0,1 °C (0,18 °F) |
| Meetfout (± 1 digit) | pH: ≤ 0.01, redox: ≤ 1 mV, temperatuur: ≤ 0,2 °C (≤ 0,36 °F) |
| Reproduceerbaarheid (± 1 digit) | pH: ± 0.01, redox: ± 1 mV, temperatuur: ± 0,1 °C (± 0,18 °F) |
| Aansluitingen | Gecombineerde of indicatorelektrode: BNC-connector (imp. >10 ¹² Ω); referentie-elektrode: banaanstekker; A.T.C.-type Pt 1000: banaan- of telefoonstekker; magneetroeder: RCA-connector |
| Temperatuurcorrectie | Handmatig, Pt 1000-temperatuurelektrode (A.T.C.), NTC 10 kΩ-elektrode |
| Vergrendeling meetscherm | Continue meting, stabiliteitsafhankelijk |
| Display | LCD, met achtergrondverlichting, 128 x 64 pixels |

| Specificatie | Details |
|---------------|----------------|
| Toetsenbord | PET, beschermd |
| Certificering | CE |

Algemene informatie

Gewijzigde versies kunnen op de website van de fabrikant worden gevonden.

Veiligheidsinformatie

LET OP

De fabrikant is niet verantwoordelijk voor enige schade door onjuist toepassen of onjuist gebruik van dit product met inbegrip van, zonder beperking, directe, incidentele en gevolgschade, en vrijwaart zich volledig voor dergelijke schade voor zover dit wettelijk is toegestaan. Uitsluitend de gebruiker is verantwoordelijk voor het identificeren van kritische toepassingsrisico's en het installeren van de juiste mechanismen om processen te beschermen bij een mogelijk onjuist functioneren van apparatuur.

Lees deze handleiding voor het uitpakken, installeren of gebruiken van het instrument. Let op alle waarschuwingen. Wanneer u dit niet doet, kan dit leiden tot ernstig persoonlijk letsel of schade aan het instrument.

Controleer voor gebruik of het instrument niet beschadigd is. Het instrument mag op geen andere wijze gebruikt worden dan als in deze handleiding beschreven.

Gebruik van gevareninformatie

▲ GEVAAR

Geeft een potentieel gevaarlijke of dreigende situatie aan die, als deze niet kan worden voorkomen, kan resulteren in dodelijk of ernstig letsel.

▲ WAARSCHUWING

Geeft een potentieel of op handen zijnde gevaarlijke situatie aan, die als deze niet wordt vermeden, kan leiden tot dood of ernstig letsel.

⚠ VOORZICHTIG

Geeft een mogelijk gevaarlijke situatie aan die kan resulteren in minder ernstig letsel of lichte verwondingen.

LET OP

Duidt een situatie aan die (indien niet wordt voorkomen) kan resulteren in beschadiging van het apparaat. Informatie die speciaal moet worden benadrukt.

Waarschuwingsetiketten

Lees alle labels en etiketten die op het instrument zijn bevestigd. Het niet naleven van deze waarschuwingen kan leiden tot letsel of beschadiging van het instrument. In de handleiding wordt door middel van een veiligheidsvoorschrift uitleg gegeven over een symbool op het instrument.



Dit symbool, indien op het instrument aangegeven, verwijst naar de handleiding voor bediening en/of veiligheidsinformatie.



Elektrische apparatuur gemarkeerd met dit symbool mag niet worden afgevoerd via Europese systemen voor afvoer van huishoudelijk of openbaar afval. Oude apparatuur of apparatuur aan het einde van zijn levensduur kan naar de fabrikant worden geretourneerd voor kosteloze verwerking.

Productoverzicht

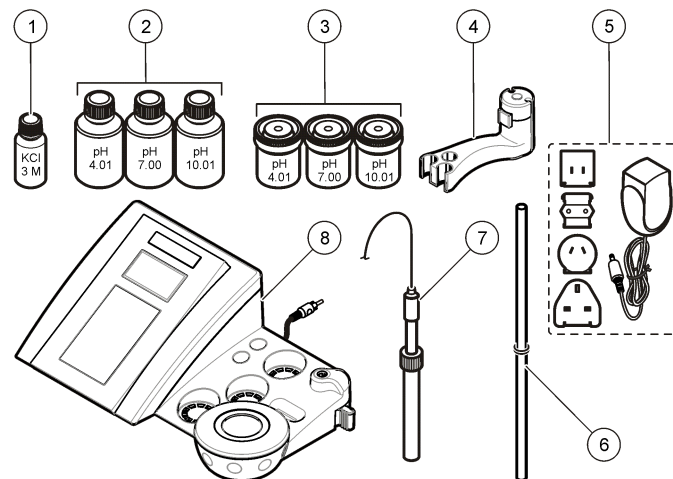
De meters van de serie sensION™+ worden gebruikt in combinatie met elektroden om diverse parameters in water te meten.

De sensION™+ PH3-meter meet pH, redox (mV) of temperatuur.

Productonderdelen

Zie [Afbeelding 1](#) om te controleren of u alle accessoires hebt ontvangen. Neem onmiddellijk contact op met de fabrikant of een verkoopvertegenwoordiger in geval van ontbrekende of beschadigde onderdelen.

Afbeelding 1 Meteronderdelen

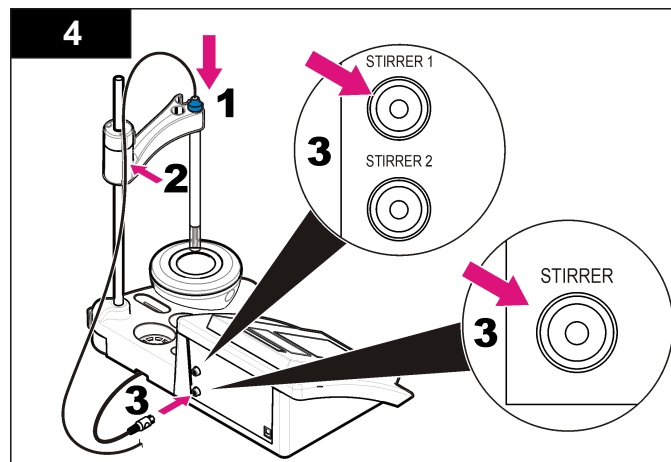
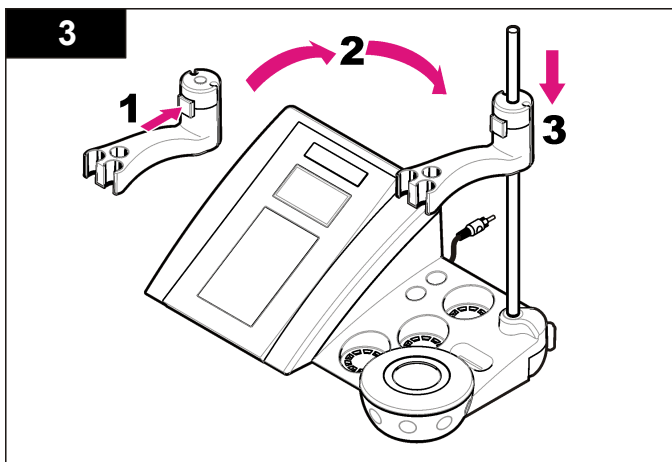
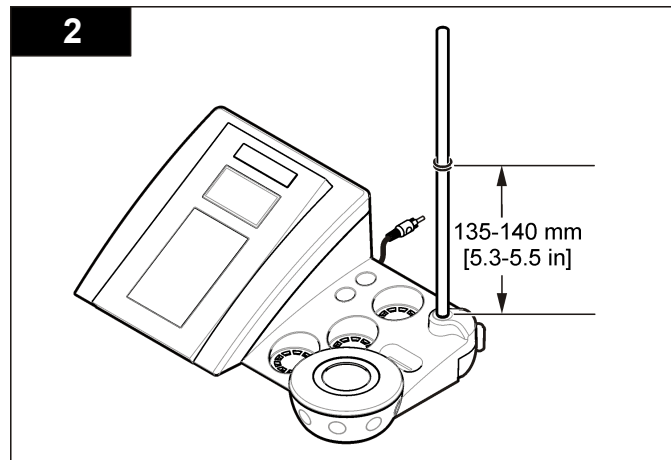
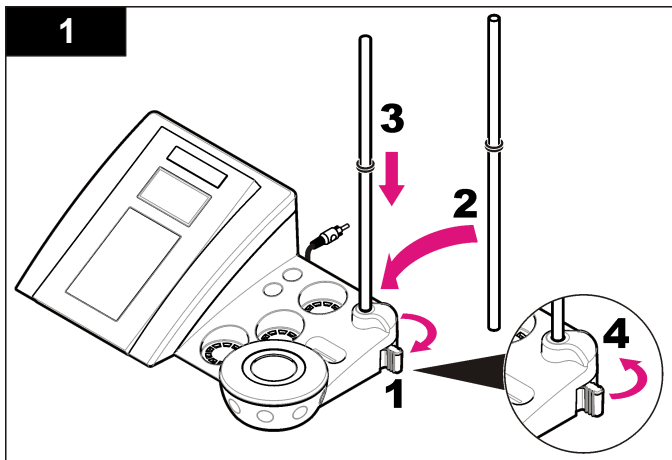


| | |
|--|--|
| 1 Elektrolyt voor de elektrode | 5 Netspanningsadapter |
| 2 Bufferoplossingen (pH 4,01, pH 7,00 en pH 10,01) | 6 Staaf met o-ring |
| 3 Kalibratiebekers (met roermagneetje) | 7 Elektrode (bij bestelling van een kit) |
| 4 Elektrodehouder | 8 Meter |

Installatie

Elektrodehouder monteren

Volg de genummerde werkinstructie om de elektrodehouder te plaatsen en de magneetroerder aan te sluiten.



Aansluiten op netspanning

⚠ GEVAAR

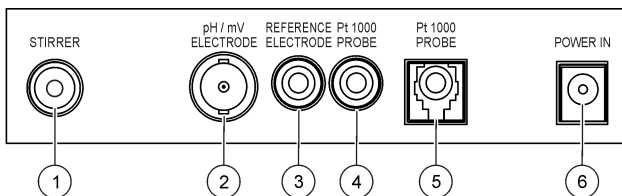


Elektrocutiegevaar. Als dit apparaat buiten of op mogelijk natte locaties wordt gebruikt, moet een apparaat voor stroomcircuitonderbreking worden gebruikt om het apparaat op de stroomvoorziening aan te sluiten.

De meter kan worden aangesloten op de netspanning met behulp van de universele netspanningsadapter.

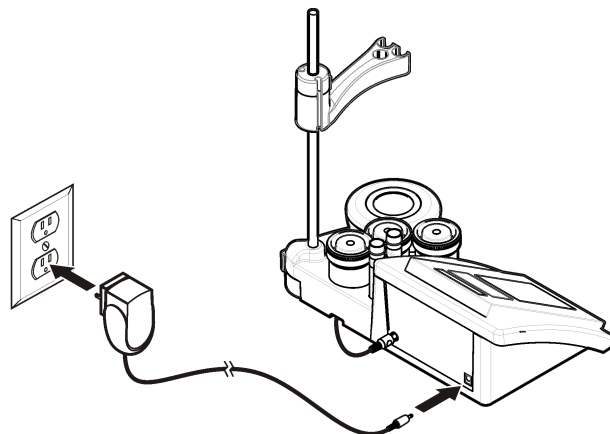
1. Selecteer de juiste stekkeradapter voor het stopcontact uit de adapterset.
2. Sluit de universele netspanningsadapter aan op de meter ([Afbeelding 2](#)).
3. Sluit de universele netspanningsadapter aan op het stopcontact ([Afbeelding 3](#)).
4. Zet de meter aan.

Afbeelding 2 Connectorpaneel



| | |
|--|---|
| 1 Aansluiting magneetroerder | 4 Aansluiting temperatuurelektrode |
| 2 Aansluiting gecombineerde pH-elektrode (of indicator) | 5 Aansluiting gescheiden temperatuurelektrode |
| 3 Aansluiting referentie-elektrode (gescheiden elektroden) | 6 Netspanningsadapter |

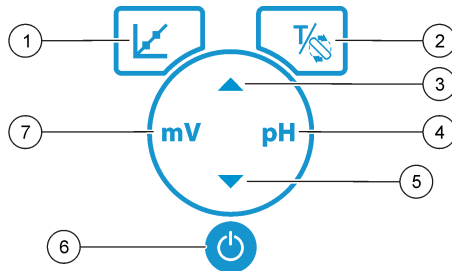
Afbeelding 3 Aansluiting op netspanning



Gebruikersinterface en navigatie

Gebruikersinterface

Functies van de toetsen

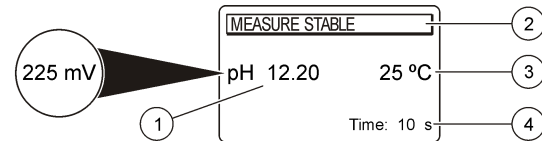


| | |
|---|--|
| 1 Kalibreertoets: een kalibratie starten, kalibratiegegevens weergeven en de kalibratiefrequentie wijzigen | 5 Toets Omlaag: een andere optie selecteren of een waarde wijzigen |
| 2 Toets TEMPERATURE (temperatuur) en STIRRER (roerder): de temperatuur (°C, °F) of de roersnelheid wijzigen | 6 AAN/UIT: de meter aan- of uitzetten |
| 3 Toets Omhoog: een andere optie selecteren of een waarde wijzigen | 7 mV-meettoets: een redox-meting (mV-meting) starten |
| 4 pH-meettoets: een pH-meting starten | |

Display

Het display van de meter toont de concentratie, eenheden, temperatuur, kalibratiestatus, datum en tijd.

Afbeelding 4 Display met één scherm



| | |
|---|------------------------------|
| 1 Meeteenheid en -waarde (pH, redox (mV)) | 3 Meettemperatuur (°C of °F) |
| 2 Meetmodus of tijd en datum | 4 Visuele tijdsindicatie |

Bediening

Druk op de kalibreertoets om de elektrode te kalibreren. Druk op de parametertoets om een monstermeting uit te voeren. Druk op de toets TEMPERATURE (temperatuur) en STIRRER (roerder) om de temperatuur (°C, °F) of de roersnelheid te wijzigen. Gebruik de pijltoetsen om andere opties te selecteren of om een waarde te wijzigen. Let gedurende het uitvoeren van taken op het display, omdat de schermen snel veranderen. Zie voor elke taak de specifieke instructies..

Opstarten

Het instrument aan en uit zetten

LET OP

Zorg dat de elektrode op de meter is aangesloten voordat de meter wordt ingeschakeld.

Druk op om de meter aan of uit te zetten. Als de meter niet opstart, controleert u of de netspanningsadapter goed is aangesloten op het stopcontact.

De taal instellen


Als de meter voor de eerste keer wordt aangezet, kan de taal worden geselecteerd.

Druk op ▲ of ▼ om een taal uit een lijst te selecteren. De meter keert na 3 seconden automatisch terug naar het meetscherm.

Opmerking: ▲ Om de taal van het hoofdmenu te wijzigen, drukt u op .

Standaardbediening



Kalibratie



| ⚠ GEVAAR | |
|--|--|
|  | Gevaar van blootstelling aan chemicaliën. Volg alle laboratoriumtechnische veiligheidsvoorschriften op en draag alle persoonlijke beschermingsuitrustingen die geschikt zijn voor de gehanteerde chemicaliën. Raadpleeg de huidige veiligheidsinformatiebladen (MSDS/SDS) voor veiligheidsprotocollen. |

Kalibratieprocedure

Deze procedure is bedoeld voor algemeen gebruik met kalibratieoplossingen. Raadpleeg de documenten die bij elke elektrode worden meegeleverd voor aanvullende informatie.


Opmerking: *Oplossingen dienen tijdens de kalibratie te worden geroerd.*
Raadpleeg [Roerinstellingen wijzigen](#) op pagina 105 voor meer informatie over de instellingen voor het roeren.

1. Giet de buffers of kalibratieoplossingen in de gelabelde kalibratiebekers.
2. Druk in het hoofdmenu op  om de pH- of mV-kalibratie te selecteren.
3. Spoel de elektrode met demi-water en plaats de elektrode in de eerste kalibratiebeker. Controleer of het membraan geen opgesloten luchtballen bevat.
4. Druk op  om de eerste kalibratieoplossing te meten. De volgende kalibratieoplossing wordt weergegeven.

5. Spoel de sonde met gedeïoniseerd water en leg de sonde in de tweede kalibratiebeker. Controleer of het membraan geen opgesloten luchtballen bevat.
6. Druk op  om de tweede kalibratieoplossing te meten. De volgende kalibratieoplossing wordt weergegeven.
7. Spoel de sonde met gedeïoniseerd water en leg de sonde in de derde kalibratiebeker. Controleer of het membraan geen opgesloten luchtballen bevat.
8. Druk op  om de derde kalibratieoplossing te meten. Als de kalibratie is gelukt, geeft het display kort '3rd Buffer OK' (3e buffer in orde) weer en keert vervolgens terug naar het hoofdmenu.

Kalibratiegegevens weergeven


De gegevens van de meest recente kalibratie kunnen worden weergegeven.

1. Druk in het hoofdmenu op  .
2. Druk op ▼ om de laatste kalibratiegegevens te bekijken. De meter keert na 3 seconden automatisch terug naar het meetscherm.

Kalibratieherinnering instellen

De kalibratieherinnering kan worden ingesteld tussen 0 en 23 uur of 1 en 7 dagen (standaard 1 dag). Het display toont de resterende tijd tot de volgende kalibratie.

Opmerking: *Als 0 dagen is geselecteerd, is de kalibratieherinnering uitgeschakeld.*

1. Druk in het hoofdmenu op  en druk vervolgens op ▼ tot er op het display 'Cal. frequency' (kalibratiefrequentie) wordt weergegeven.
2. Druk op ▲ of ▼ om de waarde te wijzigen. De meter keert na 3 seconden automatisch terug naar het meetscherm.

Monstermetingen

Elke elektrode heeft bepaalde voorbereidende stappen en procedures voor monstername. Raadpleeg voor stapsgewijze instructies de documenten die bij de elektrode meegeleverd worden.

Opmerking: Oplossingen dienen tijdens de meting te worden geroerd. Raadpleeg [Roerinstellingen wijzigen](#) op pagina 105 voor meer informatie over de roerinstellingen.

Opmerking: De temperatuur wordt tijdens een ORP-meting (mV) niet weergegeven als de temperatuurelektrode niet is aangesloten.

Druk op pH of ORP (mV) om een monstermeting uit te voeren. Gedurende de metingen knippert de parameter en geeft de timer de stabilisatietijd aan. Om de meetparameter (indien van toepassing) te wijzigen, houdt u pH of ORP (mV) ingedrukt.

Om het monster continu te meten, drukt u op pH of ORP (mV) om een meting te starten en drukt u tijdens de stabilisatie opnieuw op pH of ORP (mV). De parameter knippert ten teken dat de continue meetmodus is geactiveerd.

Geavanceerde bediening

De datum en tijd instellen

De datum en tijd kunnen worden gewijzigd in het menu 'Date and Time' (datum en tijd).


1. Druk op ▼ om het menu 'Date and Time' (datum en tijd) te openen. Het datum- en tijdformaat: dd-mm-jjjj 24 uur. De te wijzigen variabele wordt automatisch gemarkeerd en er wordt verder gesprongen naar de volgende variabele als er niet op ▲ of ▼ wordt gedrukt.
2. Om een variabele te vervangen, drukt u op ▲ of ▼ wanneer de gemarkeerde variabele is geselecteerd. De datum en tijd worden in het display weergegeven.

Displaycontrast instellen

1. Druk tegelijkertijd op ▲ en ▼ om het menu 'Display contrast' (displaycontrast) te openen.
2. Druk op ▲ of ▼ om het contrast van het display in te stellen. De meter keert na 3 seconden automatisch terug naar het meetscherm.


Roerinstellingen wijzigen

De roersnelheid kan tijdens een kalibratie en tijdens een meting worden gewijzigd.

1. Druk tijdens een kalibratie of tijdens een meting op  om het roermenu te openen.
2. Druk op ▲ of ▼ om de roersnelheid in % aan te passen.

Temperatuureenheden wijzigen

De temperatuureenheden kunnen worden gewijzigd in Celsius of Fahrenheit.

1. Druk in het hoofdscherm op .
2. Druk op  om tussen Celsius en Fahrenheit te kiezen.

Onderhoud

▲ VOORZICHTIG



Diverse gevaren. Alleen bevoegd personeel mag de in dit deel van het document beschreven taken uitvoeren.

LET OP

Haal het instrument niet voor onderhoud uit elkaar. Als er inwendige componenten moeten worden gecontroleerd of gerepareerd, neem dan contact op met de fabrikant.

Reinig het apparaat

LET OP

Gebruik nooit reinigingsmiddelen zoals terpentine, aceton of soortgelijke producten om het instrument, het display of de accessoires te reinigen.

Reinig het uitwendige van het instrument met een vochtige doek en een milde zeepoplossing.

Reinigen van de elektrode

Reinig de elektrode indien nodig. Raadpleeg [Problemen oplossen](#) op pagina 108 voor meer informatie over het reinigen. Raadpleeg de documentatie van de elektrode voor informatie over het onderhoud van de elektrode.

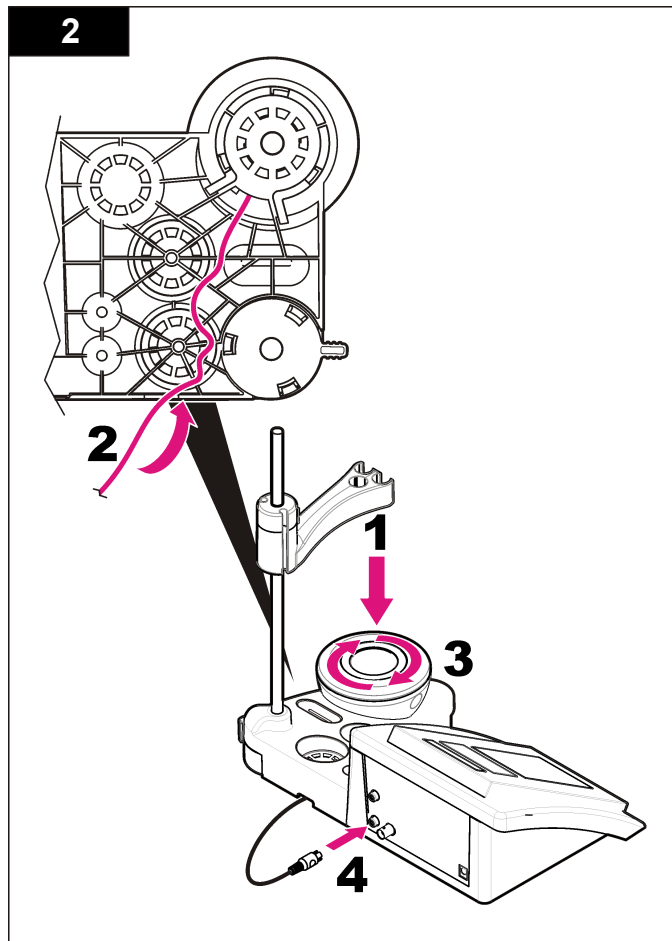
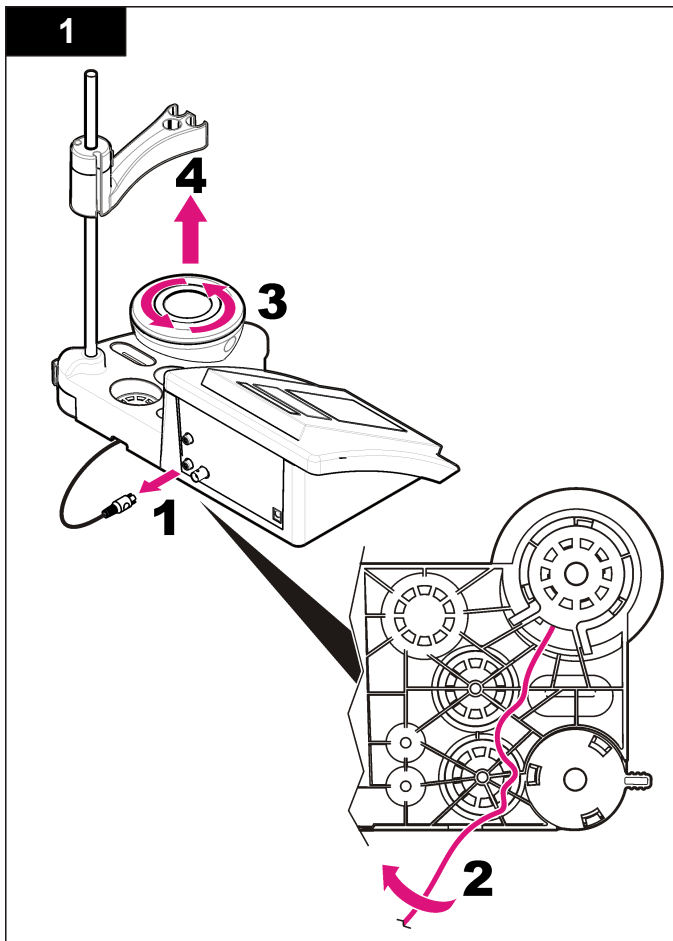
Gebruik de in [Tabel 1](#) vermelde reinigingsmiddelen voor verontreinigingen op de pH-elektrode.

Tabel 1 Reinigingsmiddelen voor de pH-elektrode

| Verontreiniging | Reinigingsmiddel |
|----------------------------|------------------------------------|
| Proteïnen | Pepsine-reinigingsoplossing |
| Smeermiddel, oliën, vetten | Reinigingsoplossing voor elektrode |
| Kalkaanslag | 0,1 N HCl-oplossing |

Vervangen van de magneetroerder




Als de magneetroerder niet start, volg dan de genummerde stappen om de magneetroerder te vervangen.




Problemen oplossen

Raadpleeg de onderstaande tabel voor een mogelijke oorzaak en oplossing bij waarschuwingen of klachten.


Tabel 2 Waarschuwingen en fouten bij het kalibreren

| Foutmelding/waarschuwing | Oplossing |
|--|--|
| Asymmetrie > 58 mV | Helling buiten bereik (toegestane waarden \pm 58 mV). Herhaal met  . Sluit een nieuwe elektrode aan. |
| Buffer or electrode in poor conditions. | Herhaal met  . Onderzoek de elektrode: reinig de elektrode (raadpleeg Reinigen van de elektrode op pagina 106 voor meer informatie); controleer of het membraan geen opgesloten luchtballen bevat. Schud de elektrode zoals een thermometer; sluit een andere elektrode aan om te verifiëren of het probleem zich in de elektrode of in de meter bevindt. Onderzoek de bufferoplossing: controleer of de gebruikte buffer overeenkomt met de in de configuratie gespecificeerde buffer; controleer de temperatuurspecificatie in de configuratie; gebruik een nieuwe bufferoplossing. |
| Sens. (a) < 70% | |
| BUFFER NOT RECOGNIZED (buffer niet herkend) | |
| UNSTABLE READING (instabiele meetwaarde) Tijd $t > 100$ s | Herhaal met  . Onderzoek de elektrode: reinig de elektrode (raadpleeg Reinigen van de elektrode op pagina 106 voor meer informatie); controleer of het membraan geen opgesloten luchtballen bevat. Schud de elektrode zoals een thermometer; sluit een andere elektrode aan om te verifiëren of het probleem zich in de elektrode of in de meter bevindt. Controleer of het membraan en de zoutbrug goed in het monster zijn gedompeld. |

Tabel 2 Waarschuwingen en fouten bij het kalibreren (vervolg)

| Foutmelding/waarschuwing | Oplossing |
|--|--|
| Electrode in poor conditions. Check the electrode | Onderzoek de elektrode: reinig de elektrode (raadpleeg Reinigen van de elektrode op pagina 106 voor meer informatie); controleer of het membraan geen opgesloten luchtballen bevat. Schud de elektrode zoals een thermometer; sluit een andere elektrode aan om te verifiëren of het probleem zich in de elektrode of in de meter bevindt. |
| SAME BUFFERS (dezelfde buffers) | Herhaal met  . Onderzoek de elektrode: reinig de elektrode (raadpleeg Reinigen van de elektrode op pagina 106 voor meer informatie); controleer of het membraan geen opgesloten luchtballen bevat. Schud de elektrode zoals een thermometer; sluit een andere elektrode aan om te verifiëren of het probleem zich in de elektrode of in de meter bevindt. Onderzoek de bufferoplossing: gebruik een nieuwe bufferoplossing. |

Tabel 3 Waarschuwingen en fouten tijdens het meten

| Foutmelding/waarschuwing | Oplossing |
|--------------------------|--|
| pH 12,78 19°C | Herhaal met  . |
| pH out of range | Onderzoek de elektrode: reinig de elektrode (raadpleeg Reinigen van de elektrode op pagina 106 voor meer informatie); controleer of het membraan geen opgesloten luchtballen bevat. Schud de elektrode zoals een thermometer; sluit een andere elektrode aan om te verifiëren of het probleem zich in de elektrode of in de meter bevindt. |

Tabel 3 Waarschuwingen en fouten tijdens het meten (vervolg)

| Foutmelding/waarschuwing | Oplossing |
|--------------------------|---|
| Temp out of range °C | Onderzoek de temperatuursensor. Sluit een andere elektrode aan om te verifiëren of het probleem zich in de elektrode of in de meter bevindt. |
| Time > 150 s | Controleer of het membraan en de zoutbrug goed in het monster zijn gedompeld. Controleer de temperatuur. Onderzoek de elektrode: reinig de elektrode (raadpleeg Reinigen van de elektrode op pagina 106 voor meer informatie); controleer of het membraan geen opgesloten luchtballen bevat. Schud de elektrode zoals een thermometer; sluit een andere elektrode aan om te verifiëren of het probleem zich in de elektrode of in de meter bevindt. |

Reserveonderdelen en accessoires

Opmerking: Product- en artikelnummers kunnen verschillen per regio. Neem contact op met de desbetreffende distributeur of bezoek de website voor contactgegevens.

Reservedelen

| Beschrijving | Item nr. |
|--|-----------------|
| sensION+ PH3 Lab pH-meter met accessoires, zonder elektrode | LPV2000.98.0002 |
| sensION+ PH31 Lab pH-meter, GLP, met accessoires, zonder elektrode | LPV2100.98.0002 |
| sensION+ MM340 Lab pH en ionenmeter, GLP, 2 kanalen, met accessoires, zonder elektrode | LPV2200.98.0002 |
| sensION+ EC7 Lab geleidbaarheidsmeter, met accessoires, zonder elektrode | LPV3010.98.0002 |

Reservedelen (vervolg)

| Beschrijving | Item nr. |
|--|-----------------|
| sensION+ EC71 Lab geleidbaarheidsmeter, GLP, met accessoires, zonder elektrode | LPV3110.98.0002 |
| sensION+ MM374, 2-kanaals laboratoriummeter, GLP, accessoires, zonder elektroden | LPV4110.98.0002 |

Verbruiksartikelen

| Beschrijving | Item nr. |
|---------------------------------------|------------|
| pH-bufferoplossing 4,01, 125 ml | LZW9460.99 |
| pH-bufferoplossing 7,00, 125 ml | LZW9461.98 |
| pH-bufferoplossing 10,01, 125 ml | LZW9470.99 |
| pH-bufferoplossing 4,01, 250 ml | LZW9463.99 |
| pH-bufferoplossing 7,00, 250 ml | LZW9464.98 |
| pH-bufferoplossing 10,01, 250 ml | LZW9471.99 |
| pH-bufferoplossing 4,01, 1000 ml | LZW9466.99 |
| pH-bufferoplossing 7,00, 1000 ml | LZW9467.98 |
| pH-bufferoplossing 10,01, 1000 ml | LZW9472.99 |
| Elektrolietvloeistof (KCl 3M), 125 ml | LZW9510.99 |
| Elektrolietvloeistof (KCl 3M), 250 ml | LZW9500.99 |
| Elektrolietvloeistof (KCl 3M), 50 ml | LZW9509.99 |
| Elektrolietvloeistof 0,1 M, 125 ml | LZW9901.99 |
| Enzymoplossing | 2964349 |
| Pepsine-reinigingsoplossing | 2964349 |
| Reinigingsoplossing voor elektrode | 2965249 |
| 0,1 N HCl-oplossing | 1481253 |

Accessoires

| Beschrijving | Item nr. |
|---|------------|
| Magneetroerder met sensorhouder, voor sensION+ MM laboratoriummodel | LZW9319.99 |
| Bedrukte bekers 3x50 ml voor pH-kalibratie laboratoriummodel | LZW9110.98 |
| Houder voor drie sensoren, voor sensION+ laboratoriummodellen | LZW9321.99 |
| Houder en klem voor drie sensoren | LZW9155.99 |
| Doorstroomcel van Pyrex | LZW9118.99 |
| PP-protector, voor bewaren van elektroden | LZW9161.99 |

Standaardoplossingen

Technische bufferoplossingen (DIN 19267)

Raadpleeg [Tabel 4](#) voor pH- en redox- (mV-) waarden van specifieke buffersets bij verschillende temperaturen.

Tabel 4 pH-, redox- (mV-) en temperatuurwaarden

| Temperatuur | | pH | | | | | mV |
|-------------|-----------|-------------|-------------|-------------|-------------|--------------|------------|
| °C | °F | | | | | | |
| 0 | 32 | 2,01 | 4.01 | 7.12 | 9.52 | 10,30 | — |
| 10 | 50 | 2.01 | 4.00 | 7.06 | 9.38 | 10,17 | 245 |
| 20 | 68 | 2.00 | 4.00 | 7.02 | 9.26 | 10,06 | 228 |
| 25 | 77 | 2,00 | 4,01 | 7,00 | 9,21 | 10,01 | 220 |
| 30 | 86 | 2.00 | 4.01 | 6.99 | 9.16 | 9,96 | 212 |
| 40 | 104 | 2,00 | 4.03 | 6.97 | 9.06 | 9,88 | 195 |
| 50 | 122 | 2,00 | 4.06 | 6.97 | 8.99 | 9,82 | 178 |
| 60 | 140 | 2,00 | 4.10 | 6.98 | 8.93 | 9,76 | 160 |

Tabel 4 pH-, redox- (mV-) en temperatuurwaarden (vervolg)

| Temperatuur | | pH | | | | | mV |
|-------------|-----|------|------|------|------|---|----|
| °C | °F | | | | | | |
| 70 | 158 | 2,01 | 4.16 | 7.00 | 8.88 | — | — |
| 80 | 176 | 2,01 | 4.22 | 7.04 | 8.83 | — | — |
| 90 | 194 | 2,01 | 4.30 | 7.09 | 8.79 | — | — |

Specyfikacje

Specyfikacje mogą zostać zmienione bez wcześniejszego zawiadomienia.

| Specyfikacja | Szczegóły |
|---|---|
| Wymiary | 35 x 20 x 11 cm (13,78 x 7,87 x 4,33 cala) |
| Masa | 1100 g (2,43 lb) |
| Obudowa miernika | IP42 |
| Wymagania dotyczące zasilania (zasilacz zewnętrzny) | 100–240 V, 0,4 A, 47-63 Hz |
| Klasa ochrony (miernik) | Klasa II |
| Temperatura składowania | –15 do +65 °C (5 do +149 °F) |
| Temperatura robocza | 0 do 40°C (41 do 104°F) |
| Wilgotność robocza | < 80% (bez kondensacji) |
| Rozdzielczość | pH: 0.01, ORP: 1 mV, temperatura: 0,1 °C (0,18 °F) |
| Błąd pomiaru (± 1 cyfra) | pH: ≤ 0,01, ORP: ≤ 1 mV, temperatura: ≤ 0,2 °C (≤ 0,36 °F) |
| Odtwarzalność (± 1 cyfra) | pH: ± 0,01, ORP: ± 1 mV, temperatura: ± 0,1 °C (± 0,18 °F) |
| Przylączca | Sonda kombinowana lub wskazująca: złącze BNC (Imp. >10 ¹² Ω); Elektroda odniesienia: złącze jack; A.T.C. typ Pt 1000: złącze jack lub złącze telefoniczne; mieszkado magnetyczne: złącze RCA |
| Korygowanie temperatury | Ręcznie, sonda temperatury Pt 1000 (A.T.C.), sonda NTC 10 kΩ |
| Ekran pomiarów | Ciągły pomiar, według stabilności |
| Wyświetlacz | Ciekłokrystaliczny, z podświetleniem, 128 x 64 punkty |

| Specyfikacja | Szczegóły |
|--------------|-------------------------------|
| Klawiatura | PET poddany obróbce ochronnej |
| Certyfikaty | CE |

Ogólne informacje

Na stronie internetowej producenta można znaleźć poprawione wydania.

Informacje dotyczące bezpieczeństwa

POWIADOMIENIE

Producent nie ponosi odpowiedzialności za ewentualne szkody wynikłe z niewłaściwego stosowania albo użytkowania tego produktu, w tym, bez ograniczeń za szkody bezpośrednie, przypadkowe i wtórne, oraz wyklucza odpowiedzialność za takie szkody w pełnym zakresie dozwolonym przez obowiązujące prawo. Użytkownik jest wyłącznie odpowiedzialny za zidentyfikowanie krytycznych zagrożeń aplikacji i zainstalowanie odpowiednich mechanizmów ochronnych procesów podczas ewentualnej awarii sprzętu.

Prosimy przeczytać całą niniejszą instrukcję obsługi przed rozpakowaniem, włączeniem i rozpoczęciem użytkowania urządzenia. Należy zwrócić uwagę na wszystkie informacje dotyczące niebezpieczeństwa i kroków zapobiegawczych. Niezastosowanie się do tego może spowodować poważne obrażenia obsługującego lub uszkodzenia urządzenia.

Należy upewnić się, czy systemy zabezpieczające wbudowane w urządzenie pracują prawidłowo. Nie używać ani nie instalować tego urządzenia w inny sposób, aniżeli podany w niniejszej instrukcji.

Korzystanie z informacji o zagrożeniach

▲ NIEBEZPIECZEŃSTWO

Wskazuje potencjalnie lub bezpośrednio niebezpieczną sytuację, która — jeśli się jej nie zapobiegnie — doprowadzi do śmierci lub poważnych obrażeń.

▲ OSTRZEŻENIE

Wskazuje na potencjalną lub bezpośrednią niebezpieczną sytuację, która, jeżeli się jej nie uniknie, może doprowadzić do śmierci lub ciężkich obrażeń.

▲ UWAGA

Wskazuje na potencjalnie niebezpieczną sytuację, która może doprowadzić do mniejszych lub umiarkowanych obrażeń.

POWIADOMIENIE

Wskazuje sytuację, która – jeśli się jej nie uniknie – może doprowadzić do uszkodzenia urządzenia. Informacja, która wymaga specjalnego podkreślenia.

Etykiety ostrzegawcze

Przeczytaj wszystkie etykiety dołączone do urządzenia. Nieprzestrzeganie tych instrukcji może spowodować urazy ciała lub uszkodzenie urządzenia. Symbol umieszczony na urządzeniu jest zamieszczony w podręczniku i opatrzony informacją o należytych środkach ostrożności.



Ten symbol, jeżeli znajduje się on na przyrządzie, odsyła do instrukcji obsługi i/lub informacji dotyczących bezpieczeństwa.



Urządzeń elektrycznych oznaczonych tym symbolem nie wolno wyrzucać do europejskich publicznych systemów utylizacji odpadów. Wyeksploatowane urządzenia należy zwrócić do producenta w celu ich utylizacji. Producent ma obowiązek przyjąć je bez pobierania dodatkowych opłat.

Przegląd produktu

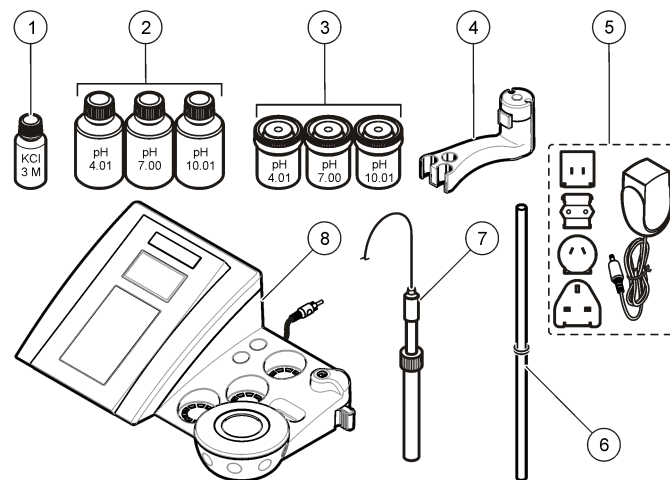
Mierniki sensION™+ są przeznaczone do użytku razem z sondami do pomiaru różnych parametrów wody.

Miernik sensION™+ PH3 jest przeznaczony do pomiaru pH, ORP (mV) lub temperatury.

Komponenty produktu

Zobacz [Rysunek 1](#), aby upewnić się, że dostarczono wszystkie komponenty. Jeśli brakuje jakiegokolwiek elementu zestawu lub któryś z tych elementów jest uszkodzony, należy niezwłocznie skontaktować się z producentem lub z jego przedstawicielem handlowym.

Rysunek 1 Komponenty miernika

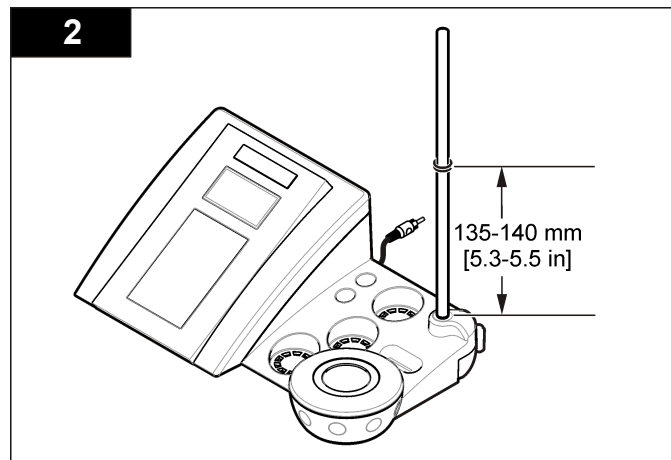
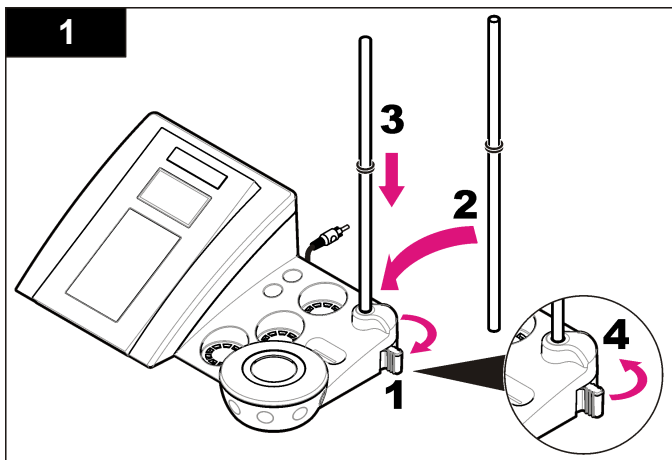


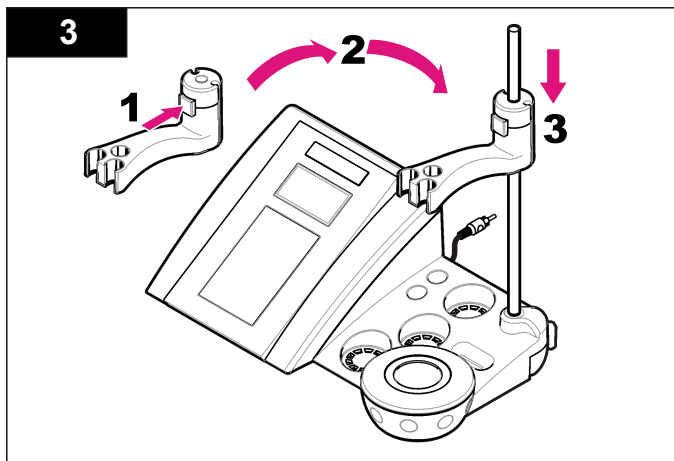
| | | | |
|---|---|---|--------------------------------|
| 1 | Elektrolit do sondy | 5 | Zasilacz |
| 2 | Roztwory buforowe (pH 4,01, pH 7,00 i pH 10.01) | 6 | Pręt z o-ringiem (cz. statywu) |
| 3 | Zlewki do kalibracji (z mieszadłem magnetycznym w środku) | 7 | Sonda (tylko w zestawach) |
| 4 | Uchwyt na sondy | 8 | Miernik |

Instalacja

Montaż uchwyty sondy


Postępuj kolejno według ponumerowanych etapów, aby zmontować uchwyt na sondy i podłączyć mieszadło magnetyczne.





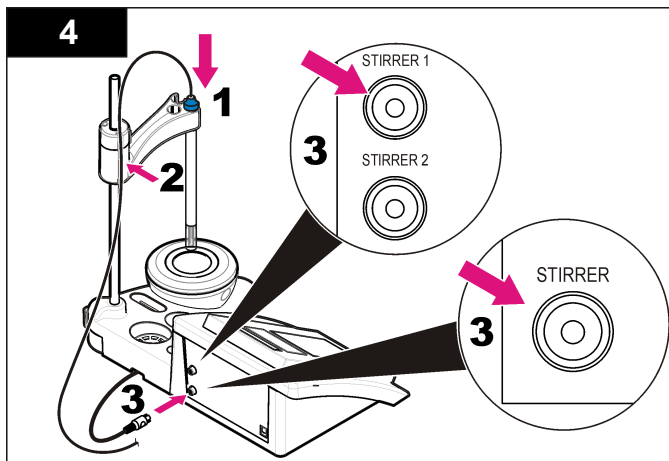
Podłączanie do źródła zasilania prądem przemiennym

▲ NIEBEZPIECZEŃSTWO

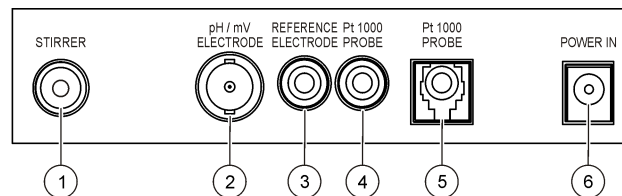
 Niebezpieczeństwo śmiertelnego porażenia prądem elektrycznym. Jeśli urządzenie jest stosowane na zewnątrz lub w potencjalnie wilgotnych lokalizacjach, należy zastosować wyłącznik różnicowo-prądowego przed podłączeniem urządzenia do głównego źródła zasilania.

Miernik można zasilac prądem przemiennym, korzystając z uniwersalnego zasilacza sieciowego.

1. Wybierz właściwą wtyczkę zasilacza z dołączonego zestawu.
2. Podłącz uniwersalny zasilacz sieciowy do miernika ([Rysunek 2](#)).
3. Podłącz uniwersalny zasilacz sieciowy do gniazda zasilania prądem przemiennym ([Rysunek 3](#)).
4. Włącz miernik.

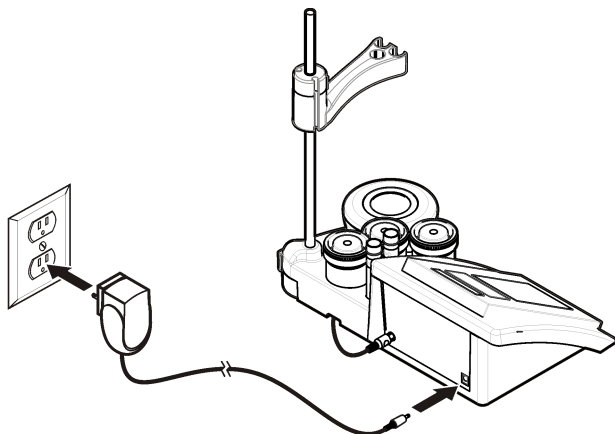


Rysunek 2 Panel złączy



| | |
|---|--|
| 1 Złącze mieszadła magnetycznego | 4 Złącze sondy temperatury |
| 2 Złącze elektrody kombinowanej pH (lub wskazującej) | 5 Złącze oddzielonej sondy temperatury |
| 3 Złącze elektrody odniesienia (elektrody oddzielone) | 6 Zasilacz |

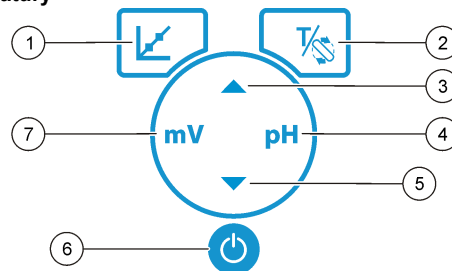
Rysunek 3 Połączenie ze źródłem zasilania prądem przemiennym



Interfejs użytkownika i nawigacja

Interfejs użytkownika

Opis klawiatury

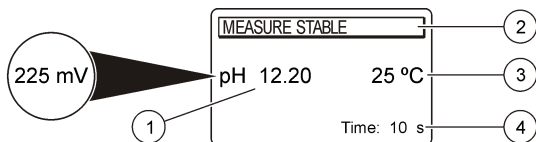


| | |
|--|--|
| 1 Klawisz KALIBRACJI: uruchamia kalibrację, wyświetla dane kalibracji i zmienia częstotliwość kalibracji | 5 Klawisz STRZAŁKA DO DOŁU: przewija do innych opcji, zmienia wartości |
| 2 Klawisz TEMPERATURY i MIESZADŁA: zmienia temperaturę (°C, °F) lub prędkość mieszadła | 6 WŁĄCZANIE/WYŁĄCZANIE: włączanie i wyłączanie miernika |
| 3 Klawisz STRZAŁKA DO GÓRY: przewija do innych opcji, zmienia wartość | 7 Klawisz pomiaru mV: uruchamia pomiar ORP (mV) |
| 4 Klawisz pomiaru pH: uruchamia pomiar pH | |

Opis ekranu





Na ekranie miernika są wyświetlane informacje o stężeniu, jednostki, informacje o temperaturze, stan kalibracji, data i godzina.

Rysunek 4 Pojedynczy ekran



| | |
|--|------------------------------------|
| 1 Jednostka pomiaru i wartość (pH, ORP (mV)) | 3 Temperatura próbki (w °C lub °F) |
| 2 Tryb pomiaru lub godzina i data | 4 Timer wizualizacji pomiaru |

Nawigacja

Użyj klawisza kalibracji  do wykonania kalibracji sondy. Użyj klawisza parametru do wykonania pomiaru próbki. Użyj klawisza TEMPERATURY i MIESZADŁA  do zmiany temperatury (°C, °F) lub prędkości mieszania. Użyj klawiszy strzałek  , aby przewinąć do innych opcji lub zmienić wartość. Pamiętaj, aby uważnie obserwować monitor podczas wykonywania czynności, gdyż ekrany zmieniają się szybko. Przy wykonywaniu czynności postępuj się określonymi instrukcjami.

Rozruch

Włączanie i wyłączanie miernika


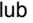
POWIADOMIENIE


Upewnij się, że do miernika jest podłączona sonda przed włączeniem zasilania miernika.

Wciśnij , aby włączyć lub wyłączyć miernik. Jeśli miernik się nie włącza, skontroluj poprawność podłączenia zasilacza sieciowego.

Zmiana ustawienia języka

Język ekranu wybiera się podczas podłączenia miernika do zasilania po raz pierwszy.

Użyj  lub , aby wybrać język z listy. Miernik powraca automatycznie do ekranu pomiarowego po 3 sekundach.

Uwaga:  W menu głównym naciśnij , aby zmienić język.

Standardowa obsługa

Kalibracja

⚠ NIEBEZPIECZEŃSTWO







Narażenie na działanie substancji chemicznych. Stosuj się do procedur bezpieczeństwa w laboratoriach i zakładaj sprzęt ochrony osobistej, zatwierdzony do używanych substancji chemicznych. Protokoły warunków bezpieczeństwa można znaleźć w aktualnych kartach charakterystyki (MSDS/SDS) materiałów.

Procedura kalibracyjna

Ta procedura opisuje w sposób ogólny użycie ciekłych roztworów do kalibracji. Więcej informacji można znaleźć w dokumentacji dołączonej do każdej sondy.



Uwaga: *Podczas kalibracji roztwory należy mieszać. Zobacz [Zmiana ustawień mieszania](#) na stronie 117, aby dowiedzieć się więcej na temat ustawień mieszadła.*

1. Nalej roztwory buforowe lub kalibracyjne do etykietowanych zlewek kalibracyjnych.
2. W menu głównym naciśnij , aby wybrać kalibrację pH lub mV.
3. Wypłukaną sondę wodą dejonizowaną włóż do pierwszej zlewki kalibracyjnej. Upewnij się, że na membranie nie ma bąbelków powietrza.
4. Naciśnij , aby dokonać pomiaru pierwszego roztworu kalibracyjnego. Wyświetla się opcja wyboru następnego r-ru kalibracyjnego.
5. Wypłukaną sondę wodą dejonizowaną włóż do drugiej zlewki kalibracyjnej. Upewnij się, że na membranie nie ma bąbelków powietrza.
6. Naciśnij , aby dokonać pomiaru drugiego roztworu kalibracyjnego. Wyświetla się opcja wyboru następnego r-ru kalibracyjnego.

7. Wypłukaną sondę wodą dejonizowaną włóż do trzeciej zlewki kalibracyjnej. Upewnij się, że na membranie nie ma bąbelków powietrza.
8. Naciśnij , aby dokonać pomiaru trzeciego roztworu kalibracyjnego.
W przypadku poprawnej kalibracji na ekranie wyświetla się komunikat 3rd Buffer OK, a następnie ekran powraca do menu głównego.

Wyświetlanie danych kalibracji




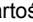
Dane aktualnej kalibracji są wyświetlane.

1. W menu głównym naciśnij .
2. Przycisk  pozwala wyświetlić dane ostatniej kalibracji. Miernik powraca automatycznie do ekranu pomiarowego po 3 sekundach.

Ustawianie przypomnienia o kalibracji

Przypomnienie o kalibracji można ustawiać w zakresie 0 do 23 godzin lub 1–7 dni (domyślnie: 1 dzień). Na ekranie wyświetla się czas pozostały do nowej kalibracji.

Uwaga: W przypadku ustawienia 0 dni, przypomnienie o kalibracji jest wyłączone.

1. W menu głównym naciśnij , a następnie naciskaj  do momentu wyświetlenia Cal. frequency (Częstotliwość kalibracji).
2. Użyj  lub , aby zmienić wartość.
Miernik powraca automatycznie do ekranu pomiarowego po 3 sekundach.

Pomiary na próbkach

W przypadku każdej sondy obowiązują określone wymagania dotyczące etapu przygotowań i procedury wykonywania pomiarów z użyciem próbek. Szczegółowe instrukcje można znaleźć w dokumentacji sondy.

Uwaga: Podczas pomiarów roztwory należy mieszać. Zobacz [Zmiana ustawień mieszania](#) na stronie 117, aby dowiedzieć się więcej na temat ustawień mieszadła.

Uwaga: Jeśli sonda temperatury nie jest podłączona, temperatura nie jest pokazywana w trakcie pomiaru ORP (mV)

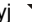

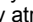
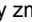
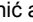
Naciśnij przycisk pH lub ORP (mV), aby wykonać pomiar próbki. Podczas pomiarów parametr miga, a timer wyświetla czas stabilizacji. Aby zmienić parametr pomiaru (w stosownych przypadkach), naciśnij i przytrzymaj przycisk pH lub ORP (mV).

Aby wykonywać ciągłe pomiary próbki, naciśnij przycisk pH lub ORP (mV), aby rozpocząć pomiar, a następnie naciśnij ten sam przycisk w trakcie stabilizacji. Parametr błyska, wskazując tryb pomiaru w pracy ciągłej.





Zaawansowana obsługa

Ustawianie daty i godziny

Datę i godzinę można zmienić w menu Date and Time (Data i godzina).




1. Użyj , aby wprowadzić menu Date and Time (Data i godzina).
Format daty i godziny: dd-mm-rrrr 24 godz.
Zmieniany atrybut jest automatycznie podświetlany, a w przypadku, gdy klawisz  lub  nie jest naciskany, następuje automatyczne przejście do następnego atrybutu.
2. Aby zmienić atrybut, naciśnij  lub , gdy wybrany atrybut jest podświetlany.
Bieżąca data i godzina wyświetla się na ekranie.

Ustawianie kontrastu wyświetlacza

1. Naciśnij jednocześnie  i , aby wprowadzić menu Display contrast (Kontrast wyświetlacza).
2. Użyj  lub , aby ustawić kontrast wyświetlacza. Miernik powraca automatycznie do ekranu pomiarowego po 3 sekundach.

Zmiana ustawień mieszania

Prędkość mieszania można zmieniać zarówno podczas kalibracji, jak i pomiaru.

1. Naciśnij  zarówno podczas kalibracji, jak i pomiaru, aby wprowadzić menu Stirring (Mieszanie).
2. Użyj  lub , aby zmienić prędkość mieszania w %.

Zmiana jednostek temperatury

Jednostkami temperatury są °C lub °F.

1. Na ekranie głównym naciśnij .
2. Naciśnij , aby wybrać pomiędzy Celsius (°C) i Fahrenheit (°F).

Konserwacja

UWAGA



Wiele zagrożeń. Tylko wykwalifikowany personel powinien przeprowadzać prace opisane w tym rozdziale niniejszego dokumentu.

POWIADOMIENIE

Nie demontuj urządzenia w celu konserwacji. Skontaktuj się z producentem, gdy komponent wewnętrzny wymaga czyszczenia lub naprawy.

Czyszczenie urządzenia

POWIADOMIENIE

Do czyszczenia urządzenia, w tym wyświetlacza oraz wyposażenia pomocniczego, nigdy nie należy stosować takich środków czyszczących, jak terpentyna, aceton lub podobne produkty.

Zewnętrzne powierzchnie urządzenia czyścić wilgotną szmatką i łagodnym roztworem mydła.

Czyszczenie sondy

Sondę czyścić w razie potrzeby. Zobacz [Rozwiązywanie problemów](#) na stronie 120, aby dowiedzieć się więcej na temat czyszczenia. Więcej informacji na temat konserwacji sondy można znaleźć w dołączonej do niej dokumentacji.

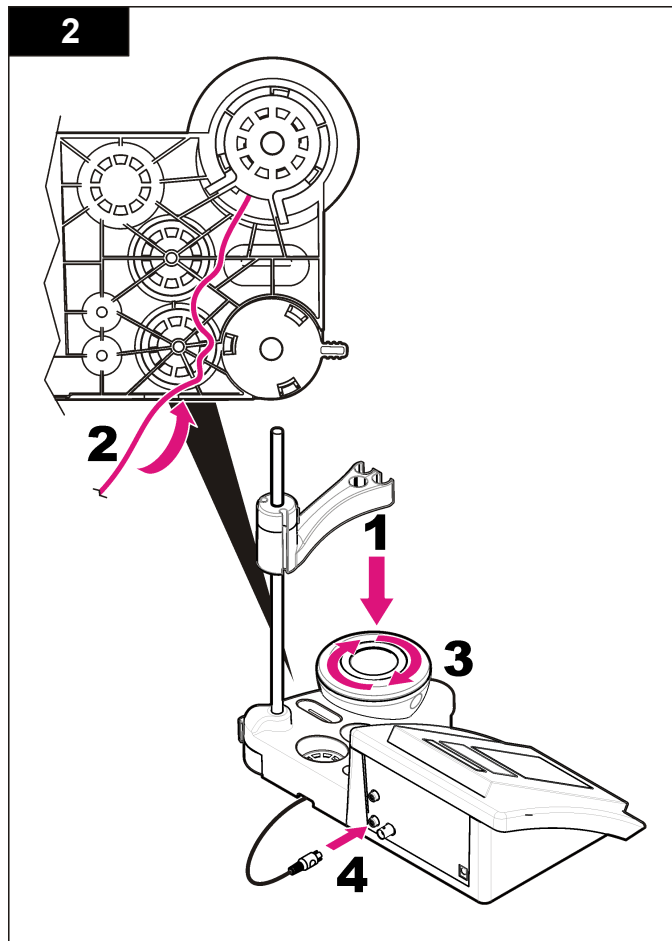
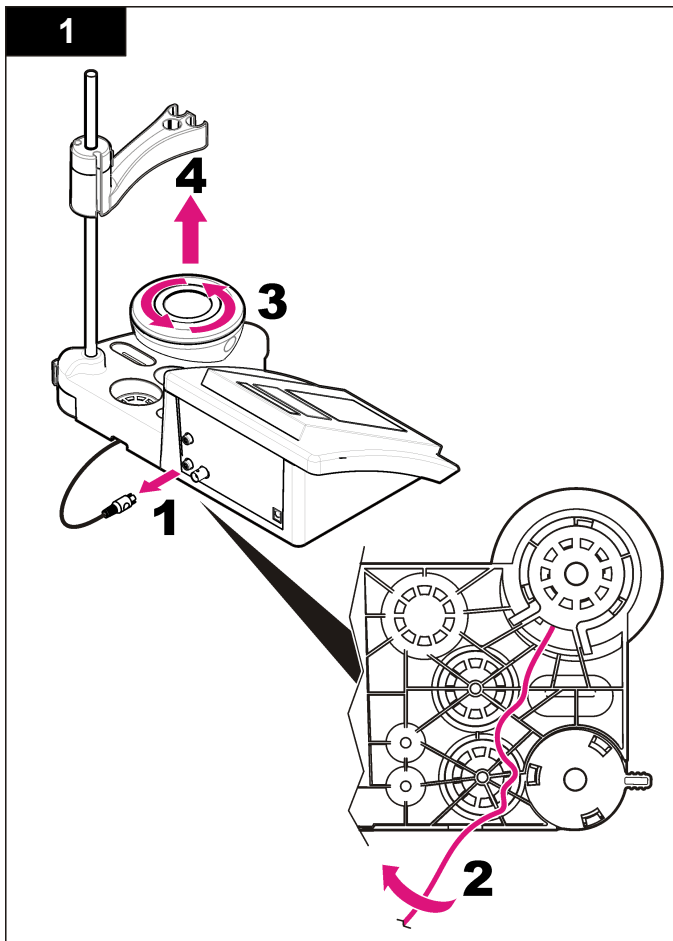
Zobacz [Tabela 1](#), aby poznać listę środków czyszczących używanych do usuwania zanieczyszczeń sondy pH.

Tabela 1 Środki czyszczące do sondy pH

| Zanieczyszczenie | Środek czyszczący |
|------------------------|----------------------------------|
| Białka | Roztwór pepsyny |
| Smary, oleje, tłuszcze | Roztwór do czyszczenia elektrody |
| Kamień kotłowy | Roztwór 0,1 N HCl |

Wymiana mieszađła magnetycznego

Jeśli nie można uruchomić mieszađła, postępuj kolejno według ponumerowanych etapów, aby wymienić mieszađło magnetyczne.



Rozwiązywanie problemów

Poniższa tabela przedstawia często występujące komunikaty problemów lub symptomy, przyczyny problemów oraz działania naprawcze.

Tabela 2 Ostrzeżenia i błędy dotyczące kalibracji




| Błąd/Ostrzeżenie | Rozwiązanie |
|---|--|
| Asymmetry > 58 mV (Asymetria > 58 mV) | Zbocze poza zakresem (przyjęte wartości ± 58 mV). Powtórz naciskając  . Podłącz nową sondę. |
| Buffer or electrode in poor conditions. (Roztwór buforowy lub elektroda w złym stanie.) | Powtórz naciskając  . Przeprowadź kontrolę sondy: wyczyść sondę (zobacz Czyszczenie sondy na stronie 118, aby dowiedzieć się więcej); upewnij się, że na membranie nie ma bąbelków powietrza. Potrząśnij sondą, tak jak termometrem; podłącz inną sondę w celu sprawdzenia, czy problem jest związany z sondą, czy raczej z miernikiem. |
| Sens. (a) < 70% | |
| BUFFER NOT RECOGNIZED (NIE MOŻNA ROZPOZNAĆ BUFORU) | Przeprowadź kontrolę roztworu buforowego: upewnij się, że użyty bufor odpowiada buforowi podanemu w konfiguracji.; upewnij się, że temperatura konfiguracji odpowiada specyfikacji; użyj nowego roztworu buforowego. |
| UNSTABLE READING (NIESTABILNY ODCZYT) Time t> 100 s | Powtórz naciskając  . Przeprowadź kontrolę sondy: wyczyść sondę (zobacz Czyszczenie sondy na stronie 118, aby dowiedzieć się więcej); upewnij się, że na membranie nie ma bąbelków powietrza. Potrząśnij sondą, tak jak termometrem; podłącz inną sondę w celu sprawdzenia, czy problem jest związany z sondą, czy raczej z miernikiem. Upewnij się, że membrana i diafragma są właściwie zanurzone w próbce. |

Tabela 2 Ostrzeżenia i błędy dotyczące kalibracji (ciąg dalszy)


| Błąd/Ostrzeżenie | Rozwiązanie |
|---|---|
| Electrode in poor conditions. (Elektroda w złym stanie) | Przeprowadź kontrolę sondy: wyczyść sondę (zobacz Czyszczenie sondy na stronie 118, aby dowiedzieć się więcej); upewnij się, że na membranie nie ma bąbelków powietrza. Potrząśnij sondą, tak jak termometrem; podłącz inną sondę w celu sprawdzenia, czy problem jest związany z sondą, czy raczej z miernikiem. |
| Check the electrode (Sprawdź elektrodę) | |
| SAME BUFFERS (TE SAME BUFORY) | Powtórz naciskając  . Przeprowadź kontrolę sondy: wyczyść sondę (zobacz Czyszczenie sondy na stronie 118, aby dowiedzieć się więcej); upewnij się, że na membranie nie ma bąbelków powietrza. Potrząśnij sondą, tak jak termometrem; podłącz inną sondę w celu sprawdzenia, czy problem jest związany z sondą, czy raczej z miernikiem. Przeprowadź kontrolę roztworu buforowego: użyj nowego roztworu buforowego. |

Tabela 3 Ostrzeżenia i błędy dotyczące pomiarów


| Błąd/Ostrzeżenie | Rozwiązanie |
|------------------------------------|---|
| pH 12.78 19°C | Powtórz naciskając  . |
| pH out of range (pH poza zakresem) | Przeprowadź kontrolę sondy: wyczyść sondę (zobacz Czyszczenie sondy na stronie 118, aby dowiedzieć się więcej); upewnij się, że na membranie nie ma bąbelków powietrza. Potrząśnij sondą, tak jak termometrem; podłącz inną sondę w celu sprawdzenia, czy problem jest związany z sondą, czy raczej z miernikiem. |

Tabela 3 Ostrzeżenia i błędy dotyczące pomiarów (ciąg dalszy)

| Błąd/Ostrzeżenie | Rozwiązanie |
|--|---|
| Temp out of range °C (Temperatura °C poza zakresem) | Przeprowadź kontrolę czujnika temperatury. Podłącz inną sondę w celu sprawdzenia, czy problem jest związany z sondą, czy raczej z miernikiem. |
| Time > 150 s | Upewnij się, że membrana i diafragma są właściwie zanurzone w próbce. Przeprowadź kontrolę temperatury. Przeprowadź kontrolę sondy: wyczyść sondę (zobacz Czyszczenie sondy na stronie 118, aby dowiedzieć się więcej); upewnij się, że na membranie nie ma bąbelków powietrza. Potrzęsaj sondą, tak jak termometrem; podłącz inną sondę w celu sprawdzenia, czy problem jest związany z sondą, czy raczej z miernikiem. |

Części zamienne i akcesoria

Uwaga: Numery produktów i części mogą być różne w różnych regionach. Skontaktuj się z odpowiednim dystrybutorem albo znajdź informacje kontaktowe w witrynie internetowej firmy.

Części zamienne

| Opis | Numer pozycji |
|--|-----------------|
| Miernik sensION+ PH3 Lab pH z akcesoriami, bez sondy | LPV2000.98.0002 |
| Miernik sensION+ PH31 Lab pH, GLP, z akcesoriami, bez sondy | LPV2100.98.0002 |
| Miernik sensION+ MM340 Lab pH & Ion, GLP, 2-kanalowy, z akcesoriami, bez sondy | LPV2200.98.0002 |
| Miernik sensION+ EC7 Lab przewodności, z akcesoriami, bez sondy | LPV3010.98.0002 |

Części zamienne (ciąg dalszy)

| Opis | Numer pozycji |
|---|-----------------|
| Miernik sensION+ EC71 Lab przewodności, GLP, z akcesoriami, bez sondy | LPV3110.98.0002 |
| Miernik sensION+ MM374, 2 channel Lab, GLP, akcesoria, bez sondy | LPV4110.98.0002 |

Materiały eksploatacyjne

| Opis | Numer pozycji |
|--------------------------------------|---------------|
| Roztwór buforowy pH 4,01, 125 ml | LZW9460.99 |
| Roztwór buforowy pH 7,00, 125 ml | LZW9461.98 |
| Roztwór buforowy pH 10,01, 125 ml | LZW9470.99 |
| Roztwór buforowy pH 4,01, 250 ml | LZW9463.99 |
| Roztwór buforowy pH 7,00, 250 ml | LZW9464.98 |
| Roztwór buforowy pH 10,01, 250 ml | LZW9471.99 |
| Roztwór buforowy pH 4,01, 1000 ml | LZW9466.99 |
| Roztwór buforowy pH 7,00, 1000 ml | LZW9467.98 |
| Roztwór buforowy pH 10,01, 1000 ml | LZW9472.99 |
| Roztwór elektrolitu (KCl 3M), 125 ml | LZW9510.99 |
| Roztwór elektrolitu (KCl 3M), 250 ml | LZW9500.99 |
| Roztwór elektrolitu (KCl 3M), 50 ml | LZW9509.99 |
| Roztwór elektrolitu 0,1 M, 125 ml | LZW9901.99 |
| Roztwór enzymów | 2964349 |
| Roztwór pepsyny do czyszczenia | 2964349 |
| Roztwór do czyszczenia elektrody | 2965249 |
| Roztwór 0,1 N HCl | 1481253 |

Akcesoria

| Opis | Numer pozycji |
|---|---------------|
| Mieszadło magnetyczne z uchwytem sondy, do sensION+ MM benchtop | LZW9319.99 |
| Zlewki 3x50 ml do wydruków kalibracji benchtop pH | LZW9110.98 |
| Uchwyt na trzy czujniki, do mierników sensION+ benchtop | LZW9321.99 |
| Uchwyt i zacisk do trzech czujników | LZW9155.99 |
| Cylinder ze szkła pyreksowego, ciągłe pomiary przepływu | LZW9118.99 |
| Ochroniacz PP, do przechowywania elektrody | LZW9161.99 |

Roztwory wzorcowe

Techniczne roztwory buforowe (DIN 19267)

Tabela 4 przedstawia wartości pH i ORP (mV) określonych zestawów buforów w różnych temperaturach.

Tabela 4 Wartości pH, ORP (mV) i temperatury

| Temperatura | | pH | | | | | mV |
|-------------|-----------|-------------|-------------|-------------|-------------|--------------|------------|
| °C | °F | | | | | | |
| 0 | 32 | 2,01 | 4,01 | 7,12 | 9,52 | 10,30 | — |
| 10 | 50 | 2,01 | 4,00 | 7,06 | 9,38 | 10,17 | 245 |
| 20 | 68 | 2,00 | 4,00 | 7,02 | 9,26 | 10,06 | 228 |
| 25 | 77 | 2,00 | 4,01 | 7,00 | 9,21 | 10,01 | 220 |
| 30 | 86 | 2,00 | 4,01 | 6,99 | 9,16 | 9,96 | 212 |
| 40 | 104 | 2,00 | 4,03 | 6,97 | 9,06 | 9,88 | 195 |
| 50 | 122 | 2,00 | 4,06 | 6,97 | 8,99 | 9,82 | 178 |
| 60 | 140 | 2,00 | 4,10 | 6,98 | 8,93 | 9,76 | 160 |
| 70 | 158 | 2,01 | 4,16 | 7,00 | 8,88 | — | — |

Tabela 4 Wartości pH, ORP (mV) i temperatury (ciąg dalszy)

| Temperatura | | pH | | | | | mV |
|-------------|-----|------|------|------|------|---|----|
| °C | °F | | | | | | |
| 80 | 176 | 2,01 | 4,22 | 7,04 | 8,83 | — | — |
| 90 | 194 | 2,01 | 4,30 | 7,09 | 8,79 | — | — |

Specifikationer

Specifikationerna kan ändras utan föregående meddelande.

| Specifikation | Tekniska data |
|--------------------------------|--|
| Mått | 35 x 20 x 11 cm (13,78 x 7,87 x 4,33 tum) |
| Vikt | 1 100 g (2,43 lb) |
| Mätarens hölje | IP42 |
| Strömförsörjning (extern) | 100–240 V, 0,4 A, 47-63 Hz |
| Mätarens skyddsklass | Klass II |
| Förvaringstemperatur | –15 till +65 °C (5 till +149 °F) |
| Drifttemperatur | 0 till 40 °C(41 till 104 °F) |
| Driftsfuktighet | < 80 % (icke-kondenserande) |
| Upplösning | pH: 0,01, ORP: 1 mV, temperatur: 0,1 °C (0,18 °F) |
| Mätfel (± 1 siffror) | pH: ≤ 0,01, ORP: ≤ 1 mV, temperatur: ≤ 0,2 °C (≤ 0,36 °F) |
| Reproducerbarhet (± 1 siffror) | pH: ± 0,01, ORP: ± 1 mV, temperatur: ± 0,1 °C (± 0,18 °F) |
| Anslutningar | Kombinerad eller indikatorelektrod: BNC-anslutning (Imp. >10 ¹² Ω); Referenselektrod: banankontakt; ATC, typ Pt 1000: banan- eller telefonkontakt; magnetomrörare: RCA-anslutning |
| Temperaturkorrigering | Manuell, Pt 1000 temperaturelektrod (ATC), NTC 10 kΩ-elektrod |
| Låsning av mätningsskärmen | Kontinuerlig mätning, enligt stabilitet |
| Display | Flytande kristaller, bakgrundsbelyst, 128 x 64 punkter |
| Tangentbord | PET med skyddande behandling |
| Certifiering | CE |

Allmän information

Reviderade upplagor finns på tillverkarens webbsida.

Säkerhetsinformation

ANMÄRKNING:

Tillverkaren tar inget ansvar för skador till följd av att produkten används på fel sätt eller missbrukas. Det omfattar utan begränsning direkta skador, tillfälliga skador eller följskador. Tillverkaren avsäker sig allt ansvar i den omfattning gällande lag tillåter. Användaren är ensam ansvarig för att identifiera kritiska användningsrisker och installera lämpliga mekanismer som skyddar processer vid eventuella utrustningsfel.

Läs igenom hela handboken innan instrumentet packas upp, monteras eller startas. Följ alla faro- och försiktighetshänvisningar. Om dessa anvisningar inte följs kan användaren utsättas för fara eller utrustningen skadas.

Kontrollera att skyddet som ges av den här utrustningen inte är skadat. Utrustningen får inte användas eller installeras på något annat sätt än så som specificeras i den här handboken.

Anmärkning till information om risker

▲ FARA

Indikerar en potentiellt eller överhängande riskfylld situation som kommer att leda till livsfarliga eller allvarliga skador om den inte undviks.

▲ VARNING

Indikerar en potentiellt eller överhängande riskfylld situation som kan leda till livsfarliga eller allvarliga skador om situationen inte undviks.

▲ FÖRSIKTIGHET



Anger en potentiell risksituation som kan resultera i lindrig eller måttlig skada.

ANMÄRKNING:

Indikerar en potentiellt riskfylld situation som kan medföra att instrumentet skadas. Information som användaren måste ta hänsyn till vid hantering av instrumentet.

Varningsskyltar

Beakta samtliga dekaler och märken på instrumentet. Personskador eller skador på instrumentet kan uppstå om dessa ej beaktas. En symbol på instrumentet beskrivs med en försiktighetsvarning i handboken .

| | |
|--|---|
|  | Denna symbol, om den finns på instrumentet, refererar till bruksanvisningen angående drifts- och/eller säkerhetsinformation. |
|  | Elektrisk utrustning markerad med denna symbol får inte avyttras i europeiska hushållsavfallssystem eller allmänna avfallssystem. Returnera utrustning som är gammal eller har nått slutet på sin livscykel till tillverkaren för avyttring, utan kostnad för användaren. |

Produktöversikt

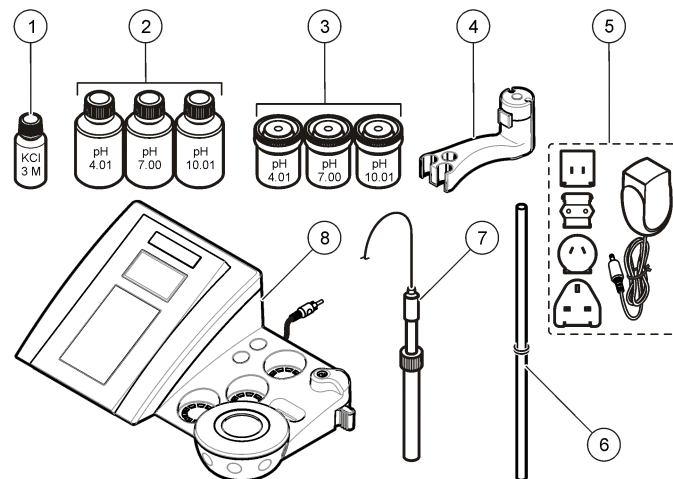
sensION™+ mätare används med elektroder för mätning av olika parametrar i vatten.

sensION™+ PH3-mätaren mäter pH, ORP (mV) eller temperatur.

Produktens delar

Se [Figur 1](#) för att kontrollera att alla delar finns med. Om några komponenter saknas eller är skadade ska du genast kontakta tillverkaren eller en återförsäljare.

Figur 1 Mätarens delar

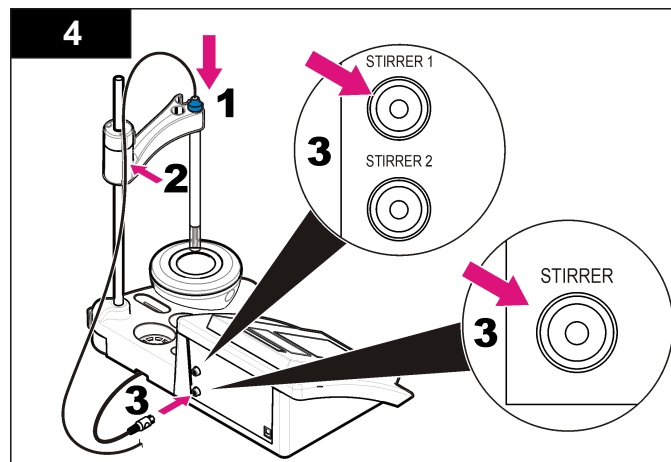
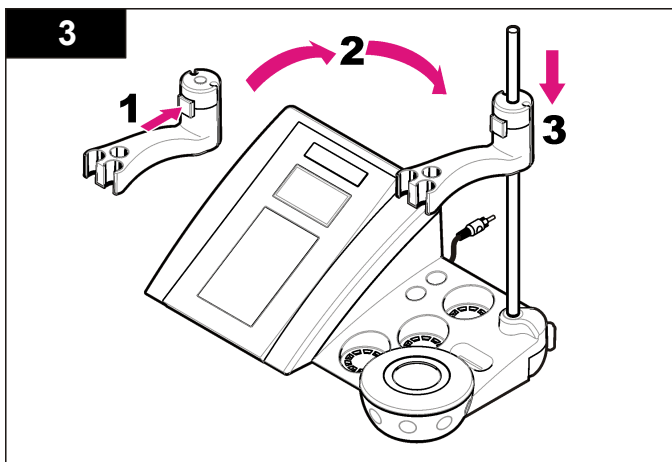
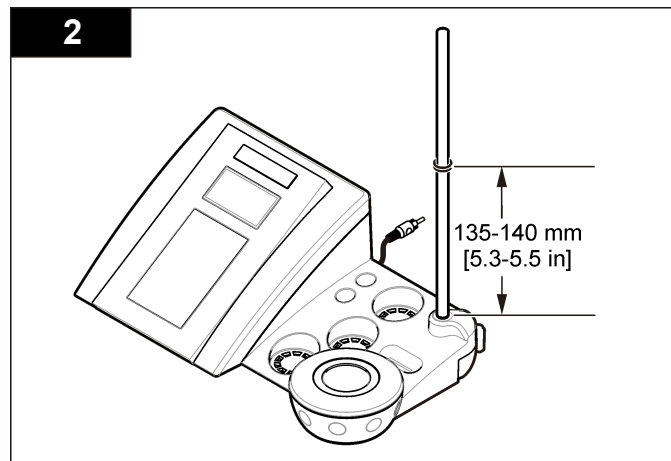
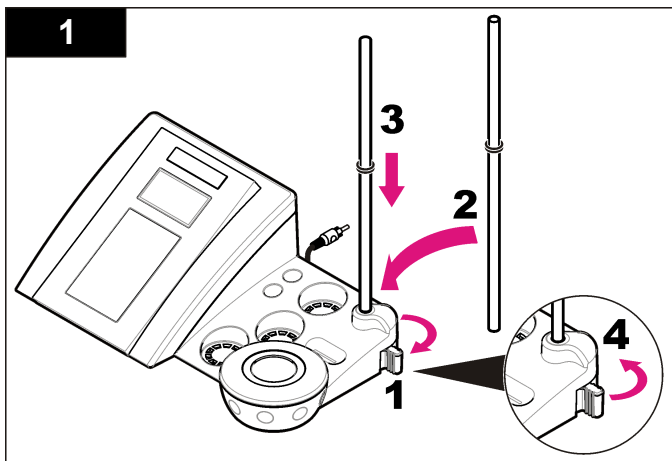


| | |
|--|--|
| 1 Elektrolyt för elektroden | 5 Kraftförsörjning |
| 2 Buffertlösningar (pH 4,01, pH 7,00 och pH 10.01) | 6 Stång med o-ring |
| 3 Kalibreringsbägare (med magnetlist på insidan) | 7 Elektrod (ingår endast i färdiga satser) |
| 4 Elektrodhållare | 8 Mätare |

Installation

Montera elektrodhållaren

Montera elektrodhållaren och anslut magnetomröraren genom att följa anvisningarna i nummerordning.



Anslut till AC-ström

⚠ FARA

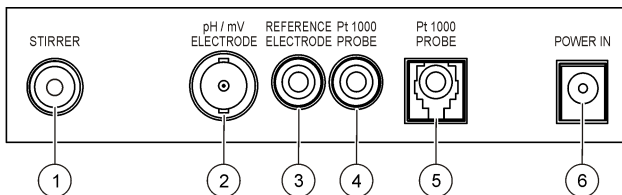


Risk för dödande elchock. Om instrumentet används utomhus eller på våta platser måste en jordfelsbrytare (GFCI/GFI) användas vid anslutning av instrumentet till huvudströmkällan.

Mätaren kan strömförsörjas med AC-ström med den universella strömadaptern.

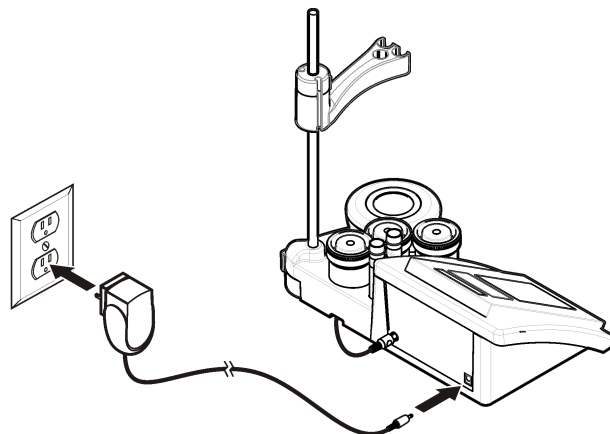
1. Välj korrekt adapterkontakt för eluttaget i adaptersatsen.
2. Anslut den universella strömadaptern till mätaren (Figur 2).
3. Anslut den universella strömadaptern till ett AC-uttag (Figur 3).
4. Slå på mätaren.

Figur 2 Kontaktpanel



| | |
|---|--|
| 1 Kontakt för magnetomrörare | 4 Temperaturelektrodkontakt |
| 2 Kombinerad pH-elektrodkontakt (eller indikator) | 5 Kontakt för separat temperaturelektrod |
| 3 Referenselektrodkontakt (separata elektroder) | 6 Kraftförsörjning |

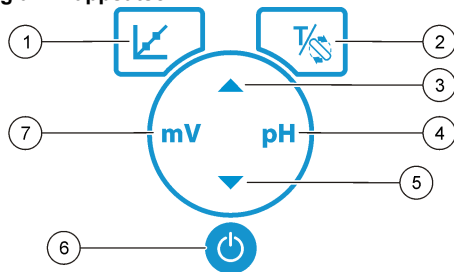
Figur 3 AC-strömanslutning



Användargränssnitt och navigering

Användargränssnitt

Beskrivning av knappsetsen

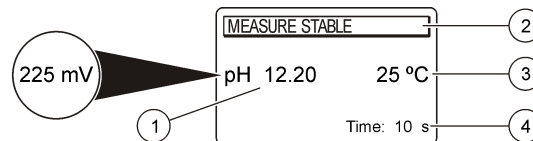


| | |
|--|--|
| 1 Kalibreringsknapp: starta en kalibrering, visa kalibreringsdata och ändra kalibreringsfrekvens | 5 Nedåtpil: bläddra till andra alternativ, ändra ett värde |
| 2 Knapp för temperatur och omrörare: ändra temperaturen (°C, °F) eller omrörningshastigheten | 6 PÅ/AV: slå på eller stänga av mätaren |
| 3 Uppåtpil: bläddra till andra alternativ, ändra ett värde | 7 Knapp för mV-mätning: starta en ORP-mätning (mV) |
| 4 Knapp för pH-mätning: starta en pH-mätning | |

Beskrivning av displayen.

På mätskärmen visas koncentration, enheter, temperatur, kalibreringsstatus, datum och tid.

Figur 4 Visning på en skärm



| | |
|---------------------------------------|--------------------------------|
| 1 Mätenheter och värde (pH, ORP (mV)) | 3 Provtemperatur (°C eller °F) |
| 2 Mätläge eller tid och datum | 4 Visuell mättimer |

Navigering

Kalibrera elektroden genom att använda kalibreringsknappen . Använd parameterknappen för att göra en provmätning. Använd knapparna TEMPERATURE (temperatur) och STIRRER (omrörning) för att ändra temperatur (°C, °F) eller omrörningshastighet. Använd pilknapparna för att bläddra till andra alternativ eller ändra ett värde. Håll ögonen på skärmen medan uppgifterna utförs eftersom fönstren ändras snabbt. För varje uppgift finns specifika anvisningar.

Start

Sätt på och stäng av mätaren

| |
|--|
| ANMÄRKNING: Kontrollera att elektroden är ansluten till mätaren innan mätaren slås på. |
|--|

Tryck på för att slå på eller stänga av mätaren. Om mätaren inte slås på kontrollerar du att nätaggregatet har anslutits korrekt till ett eluttag.

Byt språk



Språket väljs när mätaren slås på för första gången.

Välj ett språk i listan med hjälp av ▲ eller ▼ . Mätaren återgår automatiskt till mätskärmen efter 3 sekunder.

Observera: ▲ Om du vill ändra språk från huvudmenyn, tryck på .

Standardåtgärd




Kalibrering


| ▲ FARA | |
|--|--|
|  | Risk för kemikalieexponering. Följ laboratoriets säkerhetsprocedurer och använd all personlig skyddsutrustning som lämpar sig för de kemikalier som hanteras. I de aktuella materialsäkerhetsdatabladerna (MSDS/SDS) finns säkerhetsprotokoll. |
|  | |

Kalibreringsprocedur

Den här proceduren är avsedd för allmän användning av lösningar för vätskekalibrering. Mer information finns i dokumentationen som medföljer varje elektrod.


Observera: Lösningarna ska röras om under kalibreringen. Mer information om inställningar för omrörning finns i [Ändra inställningarna för omrörning](#) på sidan 129.

1. Håll buffertarna eller kalibreringslösningarna i de märkta kalibreringsbägarna.
2. På huvudmenyn trycker du på  och väljer pH- eller mV-kalibrering.
3. Skölj elektroden med avjoniserat vatten och placera elektroden i den första kalibreringsbägaren. Kontrollera att det inte finns några luftbubblor i membranet.
4. Tryck på  för att mäta den första kalibreringslösningen. Nästa kalibreringslösning visas.
5. Skölj elektroden med avjoniserat vatten och placera elektroden i den andra kalibreringsbägaren. Kontrollera att det inte finns några luftbubblor i membranet.
6. Tryck på  för att mäta den andra kalibreringslösningen. Nästa kalibreringslösning visas.

7. Skölj elektroden med avjoniserat vatten och placera elektroden i den tredje kalibreringsbägaren. Kontrollera att det inte finns några luftbubblor i membranet.
8. Tryck på  för att mäta den tredje kalibreringslösningen. När kalibreringen är godkänd visas 3rd Buffer OK (tredje buffert OK) kort på skärmen som sedan återgår till huvudmenyn.

Visa kalibreringsdata


Du kan visa data från den senaste kalibreringen.

1. På huvudmenyn, tryck på  .
2. Använd ▼ till att visa senaste kalibreringsdata. Mätaren återgår automatiskt till mätskärmen efter 3 sekunder.

Ställa in kalibreringspåminnelse

Kalibreringspåminnelsen kan ställas in på mellan 0 och 23 timmar eller 1-7 dagar (standard är 1 dag). På skärmen visas den tid som återstår till nästa kalibrering.

Observera: Om du väljer 0 dagar stängs kalibreringspåminnelsen av.

1. På huvudmenyn trycker du på  och sedan på ▼ tills skärmen visar Cal. frequency (kalibreringsfrekvens).
2. Om du vill ändra ett värde använder du ▲ eller ▼ . Mätaren återgår automatiskt till mätskärmen efter 3 sekunder.

Provmätning

För varje elektrod finns specifika förberedelsesteg och procedurer för provtagning. Steg-för-steg-instruktioner finns i dokumentationen som medföljer elektroden.

Observera: Lösningarna ska röras om under mätningen. Mer information om inställningar för omrörning finns i [Ändra inställningarna för omrörning](#) på sidan 129.

Observera: Temperaturen vid en mätning av ORP (mV) visas endast om temperaturelektroden är ansluten.

Tryck på pH eller ORP (mV) om du vill göra en provmätning. Vid mätningar blinkar parametern och timern visar stabiliseringstiden. Om du

vill ändra mätparametrarna (om det behövs) trycker du på och håller ned pH eller ORP (mV).

Om du vill mäta provet kontinuerligt trycker du på pH eller ORP (mV) för att starta mätningen och trycker sedan på pH eller ORP (mV) igen vid stabiliseringen. Parametern blinkar som en indikation på att det kontinuerliga mätläget är aktivt.

Avancerade funktioner

Ändra datum och tid

Datum och tid går att ändra via menyn Date and Time (datum och tid).


1. Gå till menyn Date and Time (datum och tid) med hjälp av ▼ . Datum- och tidsformat: dd-mm-åååå 24 timmar. Det objekt som kan ändras markeras automatiskt. Om du inte trycker på ▲ eller ▼ flyttas markeringen till nästa objekt.
2. Om du vill ändra objektet trycker du på ▲ eller på ▼ när objektet är markerat. Aktuellt datum och tid visas på skärmen.

Justera skärmens kontrast

1. Gå till menyn Display contrast (kontrastinställning) genom att samtidigt trycka på ▲ och ▼ .
2. Ställ in skärmkontrasten genom att använda ▲ eller ▼ . Mätaren återgår automatiskt till mätskärmen efter 3 sekunder.

Ändra inställningarna för omrörning

Omrörningshastigheten går att ändra under kalibreringen och under mätningen.

1. När kalibrering eller mätning pågår trycker du på  för att komma till omrörningsmenyn.
2. Ändra omrörningshastigheten i % med hjälp av ▲ eller ▼ .

Ändra temperaturenheterna

Temperaturenheterna går att ändra till Celsius eller till Fahrenheit.

1. På huvudmenyn, tryck på  .
2. Tryck på  för att välja mellan Celsius och Fahrenheit.

Underhåll

▲ FÖRSIKTIGHET



Flera risker. Endast kvalificerad personal får utföra de moment som beskrivs i den här delen av dokumentet.

ANMÄRKNING:

Ta inte isär instrumentet för att utföra underhåll. Kontakta tillverkaren om de inre delarna behöver rengöras eller repareras.

Rengör instrumentet

ANMÄRKNING:

Använd aldrig rengöringsmedel som terpentin, aceton eller liknande produkter för att rengöra instrumentet, displayen eller tillbehören.

Rengör instrumentets utsida med en fuktig torkduk och en mild tvållösning.

Rengör elektroden

Rengör elektroden vid behov. Mer information om rengöring finns i [Felsökning](#) på sidan 132. Mer information om hur elektroden ska skötas finns i elektroddokumentationen.

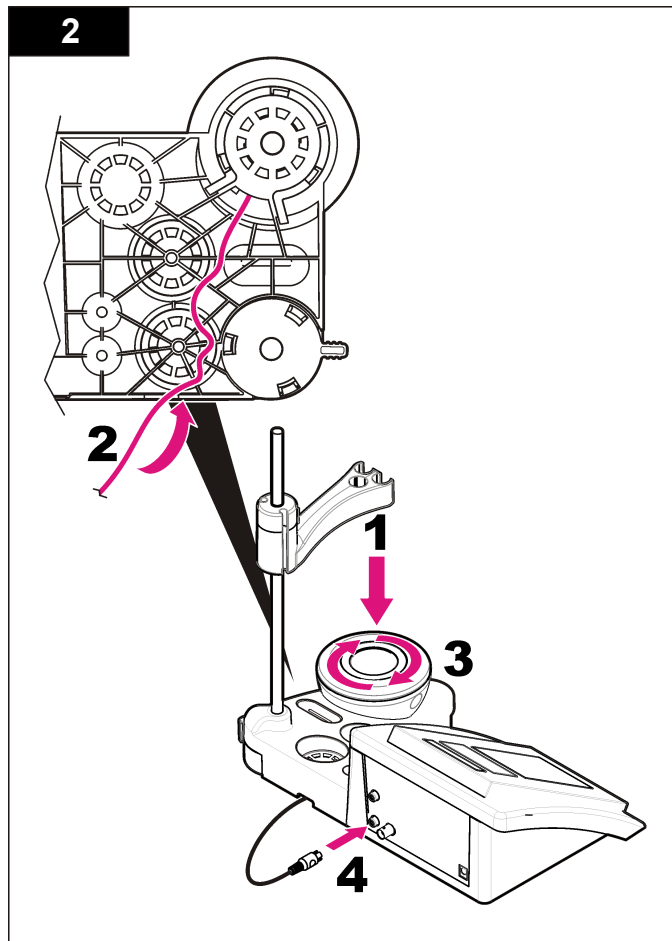
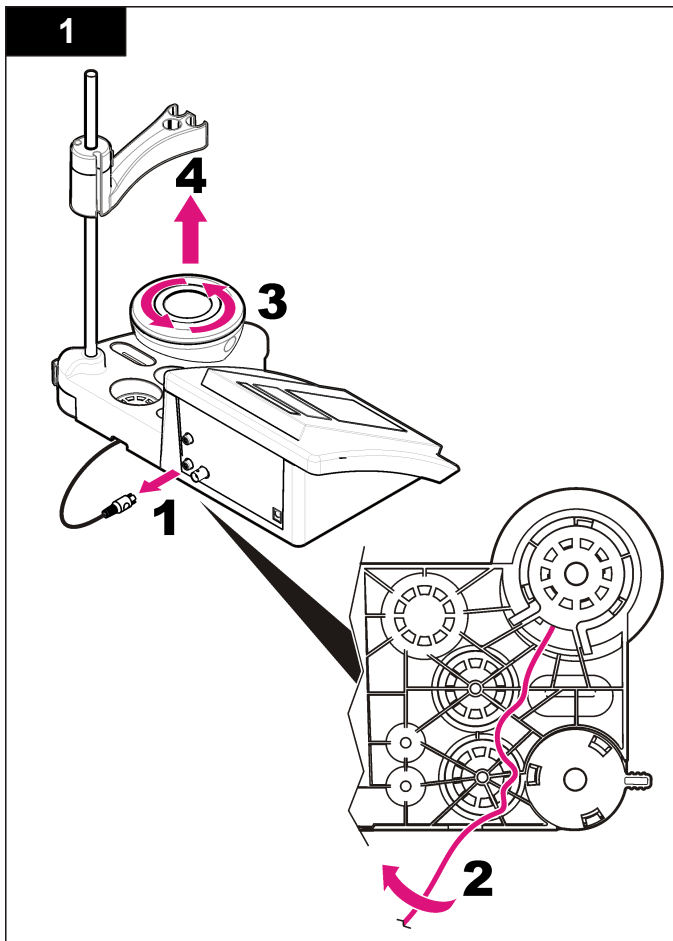
Använd de rengöringsmedel som anges i [Tabell 1](#) för föroreningar på pH-elektroden.

Tabell 1 Rengöringsmedel för pH-elektrod

| Kontaminering | Rengöringsmedel |
|---------------------|-----------------------------|
| Proteiner | Pepsinrengöringslösning |
| Fett, oljor, fetter | Elektrodrorengöringslösning |
| Kalk | 0,1 N HCl-lösning |

Byta magnetomröraren




Om magnetomröraren inte startar, byt omröraren genom att följa de numrerade anvisningarna.




Felsökning

I följande tabell visas vanliga felmeddelanden eller symptom, möjliga orsaker och korrigerande åtgärder.


Tabell 2 Kalibreringsvarningar och fel

| Fel/varning | Lösning |
|--|--|
| Asymmetry > 58 mV (asymmetri > 58 mV) | Lutning utanför intervallet (godkända värden ± 58 mV). Upprepa med  . Anslut en ny elektrod. |
| Buffer or electrode in poor conditions. (Buffert eller elektrod i dåligt skick.) | Upprepa med  . Undersök elektroden: Rengör elektroden (mer information finns i Rengör elektroden på sidan 129); kontrollera att det inte förekommer luftbubblor i membranet. Skaka elektroden som en termometer; kontrollera att det inte finns luftbubblor i membranet. Skaka elektroden som en termometer; Undersök om felet finns i elektroden eller i mätaren genom att ansluta en annan elektrod. |
| Sens. (a) < 70% | Undersök buffertlösningen: Kontrollera att bufferten som används stämmer med den buffert som anges i konfigurationen; kontrollera temperaturspecifikationen i konfigurationen; använd en ny buffertlösning. |
| BUFFER NOT RECOGNIZED (buffert känns inte igen) | Undersök buffertlösningen: Kontrollera att bufferten som används stämmer med den buffert som anges i konfigurationen; kontrollera temperaturspecifikationen i konfigurationen; använd en ny buffertlösning. |
| UNSTABLE READING (instabil avläsning) Time t > 100 s (tiden t > 100 s) | Upprepa med  . Undersök elektroden: Rengör elektroden (mer information finns i Rengör elektroden på sidan 129); kontrollera att det inte finns luftbubblor i membranet. Skaka elektroden som en termometer. Undersök om felet finns i elektroden eller i mätaren genom att ansluta en annan elektrod eller mätare. Kontrollera att membranet och diafragman är ordentligt nedsänkta i provet. |

Tabell 2 Kalibreringsvarningar och fel (fortsättning)

| Fel/varning | Lösning |
|--|---|
| Electrode in poor conditions. (Elektrod i dåligt skick.) | Undersök elektroden: Rengör elektroden (mer information finns i Rengör elektroden på sidan 129); kontrollera att det inte finns luftbubblor i membranet. Skaka elektroden som en termometer. Undersök om felet finns i elektroden eller i mätaren genom att ansluta en annan elektrod eller mätare. |
| Check the electrode (kontrollera elektroden) | Undersök elektroden: Rengör elektroden (mer information finns i Rengör elektroden på sidan 129); kontrollera att det inte finns luftbubblor i membranet. Skaka elektroden som en termometer. Undersök om felet finns i elektroden eller i mätaren genom att ansluta en annan elektrod eller mätare. |
| SAME BUFFERS (samma buffertar) | Upprepa med  . Undersök elektroden: Rengör elektroden (mer information finns i Rengör elektroden på sidan 129); kontrollera att det inte finns luftbubblor i membranet. Skaka elektroden som en termometer. Undersök om felet finns i elektroden eller i mätaren genom att ansluta en annan elektrod eller mätare. Undersök buffertlösningen: Använd en ny buffertlösning. |

Tabell 3 Mätvarningar och -fel

| Fel/varning | Lösning |
|-------------------------------------|---|
| pH 12.78 19°C | Upprepa med  . |
| pH out of range (pH utanför område) | Undersök elektroden: Rengör elektroden (mer information finns i Rengör elektroden på sidan 129); kontrollera att det inte finns luftbubblor i membranet. Skaka elektroden som en termometer. Undersök om felet finns i elektroden eller i mätaren genom att ansluta en annan elektrod eller mätare. |

Tabell 3 Mätvarningar och -fel (fortsättning)

| Fel/varning | Lösning |
|--|--|
| Temp out of range °C (temperatur utanför område) | Undersök temperaturgivaren. Anslut en annan elektrod för att kontrollera om problemet har med elektroden eller med mätaren att göra. |
| Time > 150 s (tid > 150 s) | Kontrollera att membranet och diafragman är ordentligt nedsänkta i provet. Kontrollera temperaturen. Undersök elektroden: Rengör elektroden (mer information finns i Rengör elektroden på sidan 129); kontrollera att det inte finns luftbubblor i membranet. Skaka elektroden som en termometer. Undersök om felet finns i elektroden eller i mätaren genom att ansluta en annan elektrod eller mätare. |

Utbytesdelar och tillbehör

Observera: Produkt- och artikelnummer kan variera i olika försäljningsregioner. Kontakta lämplig återförsäljare eller se företagets webbsida för att få kontaktinformation.

Reservdelar

| Beskrivning | Produktnr. |
|---|-----------------|
| sensION+ PH3, pH-mätare med tillbehör, utan elektrod, för laboratoriebruk | LPV2000.98.0002 |
| sensION+ PH31 pH-mätare för laboratorier, GLP, med tillbehör, utan elektrod | LPV2100.98.0002 |
| sensION+ MM340 pH- & jonmätare för laboratorier, GLP, 2 kanaler, med tillbehör, utan elektrod | LPV2200.98.0002 |
| sensION+ EC7 konduktivitetmätare för laboratorier, med tillbehör, utan elektrod | LPV3010.98.0002 |

Reservdelar (fortsättning)

| Beskrivning | Produktnr. |
|---|-----------------|
| sensION+ EC71 konduktivitetmätare för laboratorier, GLP, med tillbehör, utan elektrod | LPV3110.98.0002 |
| sensION+ MM374, 2 kanaler, laboratoriemätare, GLP, tillbehör, utan elektroder | LPV4110.98.0002 |

Förbrukningsartiklar

| Beskrivning | Produktnr. |
|-------------------------------------|------------|
| pH-buffertlösning 4.01, 125 ml | LZW9460.99 |
| pH-buffertlösning 7.00, 125 ml | LZW9461.98 |
| pH-buffertlösning 10.01, 125 ml | LZW9470.99 |
| pH-buffertlösning 4.01, 250 ml | LZW9463.99 |
| pH-buffertlösning 7.00, 250 ml | LZW9464.98 |
| pH-buffertlösning 10.01, 250 ml | LZW9471.99 |
| pH-buffertlösning 4.01, 1 000 ml | LZW9466.99 |
| pH-buffertlösning 7.00, 1 000 ml | LZW9467.98 |
| pH-buffertlösning 10.01, 1 000 ml | LZW9472.99 |
| Elektrolytlösning (KCl 3 M), 125 ml | LZW9510.99 |
| Elektrolytlösning (KCl 3 M), 250 ml | LZW9500.99 |
| Elektrolytlösning (KCl 3 M), 50 ml | LZW9509.99 |
| Elektrolytlösning 0,1 M, 125 ml | LZW9901.99 |
| Ensymlösning | 2964349 |
| Pepsinrengöringslösning | 2964349 |
| Elektrodrorengöringslösning | 2965249 |
| 0,1 N HCl-lösning | 1481253 |

Tillbehör

| Beskrivning | Produktnr. |
|---|------------|
| Magnetomrörare med hållare för givare, för bänkplacerad sensION+ MM | LZW9319.99 |
| 3x50 ml märkta bägare för pH-kalibrering vid arbetsbänken | LZW9110.98 |
| Tre hållare för givare, för bänkplacerade sensION+-instrument | LZW9321.99 |
| Hållare och klämma för tre givare | LZW9155.99 |
| Pyrexglaskammare, kontinuerlig flödesmätning | LZW9118.99 |
| PP-skydd, elektrodförvaring | LZW9161.99 |

Standardlösningar

Tekniska buffertlösningar (DIN 19267)

I **Tabell 4** finns pH- och ORP-värden (mV) för specifika buffertlösningar vid olika temperaturer.

Tabell 4 pH, ORP (mV) och temperaturvärden

| Temperatur | | pH | | | | | mV |
|------------|-----------|-------------|-------------|-------------|-------------|--------------|------------|
| °C | °F | | | | | | |
| 0 | 32 | 2,01 | 4,01 | 7,12 | 9,52 | 10,30 | — |
| 10 | 50 | 2,01 | 4,00 | 7,06 | 9,38 | 10,17 | 245 |
| 20 | 68 | 2,00 | 4,00 | 7,02 | 9,26 | 10,06 | 228 |
| 25 | 77 | 2,00 | 4,01 | 7,00 | 9,21 | 10,01 | 220 |
| 30 | 86 | 2,00 | 4,01 | 6,99 | 9,16 | 9,96 | 212 |
| 40 | 104 | 2,00 | 4,03 | 6,97 | 9,06 | 9,88 | 195 |
| 50 | 122 | 2,00 | 4,06 | 6,97 | 8,99 | 9,82 | 178 |
| 60 | 140 | 2,00 | 4,10 | 6,98 | 8,93 | 9,76 | 160 |
| 70 | 158 | 2,01 | 4,16 | 7,00 | 8,88 | — | — |

Tabell 4 pH, ORP (mV) och temperaturvärden (fortsättning)

| Temperatur | | pH | | | | | mV |
|------------|-----|------|------|------|------|---|----|
| °C | °F | | | | | | |
| 80 | 176 | 2,01 | 4,22 | 7,04 | 8,83 | — | — |
| 90 | 194 | 2,01 | 4,30 | 7,09 | 8,79 | — | — |

Tekniset tiedot

Tekniset tiedot voivat muuttua ilman ennakoilmoitusta.

| Ominaisuus | Lisätietoja |
|------------------------------|--|
| Mitat | 35 x 20 x 11 cm (13,78 x 7,87 x 4,33 tuumaa) |
| Paino | 1100 g (2,43 lb) |
| Mittarin kotelo | IP42 |
| Virtalähde (ulkoinen) | 100–240 V, 0,4 A, 47–63 Hz |
| Mittarin suojausluokka | Luokka II |
| Säilytyslämpötila | –15–+65 °C (5–+149 °F) |
| Käyttölämpötila | 0-40 °C (41-104 °F) |
| Käyttöympäristön kosteus | < 80 % (tiivistymätön) |
| Resoluutio | pH: 0.01, ORP: 1 mV, lämpötila: 0,1 °C (0,18 °F) |
| Mittausvirhe (± 1 yksikköä) | pH: ≤ 0,01, ORP: ≤ 1 mV, lämpötila: ≤ 0,2 °C (≤ 0,36 °F) |
| Toistettavuus (± 1 yksikköä) | pH: ± 0,01, ORP: ± 1 mV, lämpötila: ± 0,1 °C (± 0,18 °F) |
| Liitännät | Yhdistelmä- tai ilmaisianturi: BNC-liitin (Imp. >10 ¹² Ω); Referenssielektrodi: banaaniliitin; A.T.C., tyyppi Pt 1000: banaan- tai puhelinliitin; magneettisekoittaja: RCA-liitin |
| Lämpötilakorjaus | Manuaalinen Pt 1000 -lämpötila-anturi (A.T.C.), NTC 10 kΩ -anturi |
| Mittauksen näytön lukitus | Jatkuva mittaus, vakauden mukaan |
| Näyttö | Nestekide, taustavalaistu, 128 x 64 kuvapistettä |
| Näppäimistö | PET, suojakäsitelty |
| Sertifiointi | CE |

Yleistietoa

Päivitetty käyttöohjeet ovat saatavilla valmistajan verkkosivuilta.

Turvallisuustietoa

HUOMAUTUS

Valmistaja ei ole vastuussa mistään virheellisestä käytöstä aiheuvista vahingoista mukaan lukien rajoituksesta suorista, satunnaisista ja välillisistä vahingoista. Valmistaja sanoutuu irti tällaisista vahingoista soveltuvien lakien sallimissa rajoissa. Käyttäjällä on yksin vastuussa sovellukseen liittyvien kriittisten riskien arvioinnista ja sellaisten asianmukaisten mekanismien asentamisesta, jotka suojaavat prosesseja laitteen toimintahäiriön aikana.

Lue nämä käyttöohjeet kokonaan ennen tämän laitteen pakkauksesta purkamista, asennusta tai käyttöä. Kiinnitä huomiota kaikkiin vaara- ja varotoimilausekkeisiin. Niiden laiminlyönti voi johtaa käyttäjän vakavaan vammaan tai laitteistovaurioon.

Jotta laitteen suojaus ei heikentyisi, sitä ei saa käyttää tai asentaa muuten kuin näissä ohjeissa kuvatulla tavalla.

Vaaratilanteiden merkintä

▲ VAARA

Ilmoittaa mahdollisesti vaarallisesta tai välittömän vaaran aiheuttavasta tilanteesta, joka aiheuttaa kuoleman tai vakavan vamman.

▲ VAROITUS

Osoittaa potentiaalisesti tai uhkaavasti vaarallisen tilanteen, joka, jos sitä ei vältetä, voisi johtaa kuolemaan tai vakavaan vammaan.

▲ VAROTOIMI



Ilmoittaa mahdollisesti vaarallisesta tilanteesta, joka voi aiheuttaa lievän vamman.

HUOMAUTUS

Ilmoittaa tilanteesta, joka saattaa aiheuttaa vahinkoa laitteelle. Tieto, joka vaatii erityistä huomiota.

Varoitustarrat

Lue kaikki laitteen tarrat ja merkinnät. Henkilövamma tai laitevaurio on mahdollinen, jos ohjeet laiminlyödään. Laitteen symboliin viitataan käsikirjassa, ja siihen on liitetty varoitus.

| | |
|--|---|
|  | Tämä symboli, jos se on merkitty kojeeseen, viittaa kojeen käsikirjaan käyttö- ja/tai turvallisuustietoja varten. |
|  | Sähkölaitteita, joissa on tämä symboli, ei saa hävittää yleisille tai kotitalousjätteille tarkoitetuissa eurooppalaisissa jätteiden hävitysjärjestelmissä. Vanhat tai käytöstä poistetut laitteet voi palauttaa maksutta valmistajalle hävittämistä varten. |

Tuotteen yleiskuvauus

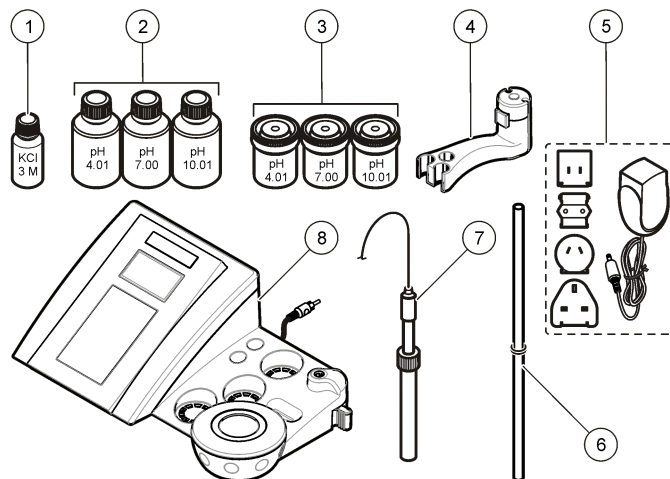
sensION™-mittareita käytetään anturien kanssa eri parametrien mittaamiseen vesinäytteistä.

sensION™+ PH3 -mittarilla voi mitata pH-, ORP- (mV) ja lämpötila-arvoja.

Tuotteen osat

Lue kohta [Kuva 1](#) ja varmista, että kaikki osat ovat mukana pakkauksessa. Jos joku tarvikkeista puuttuu tai on viallinen, ota välittömästi yhteys valmistajaan tai toimittajaan.

Kuva 1 Mittarin osat

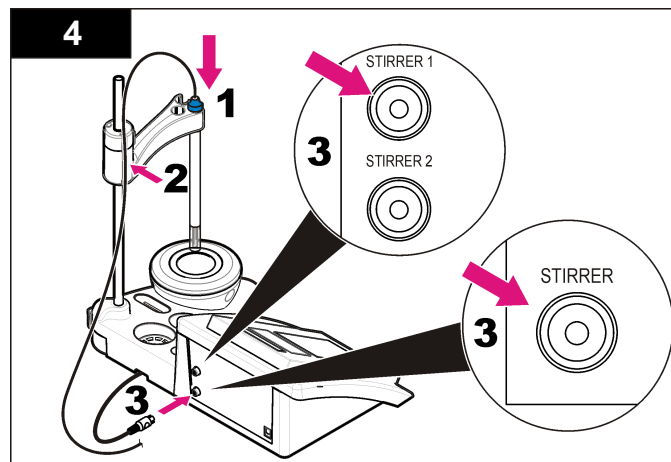
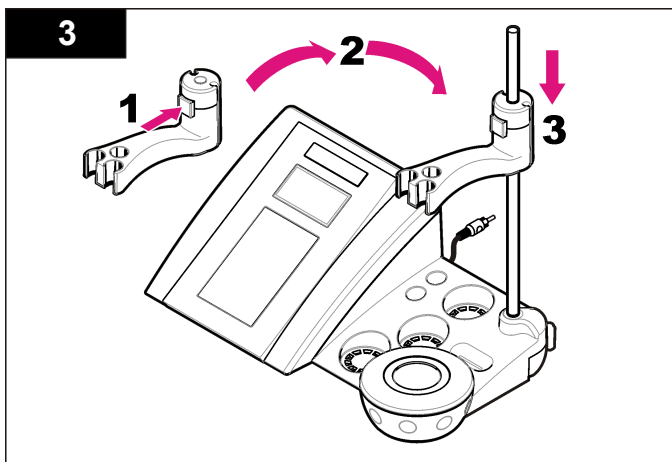
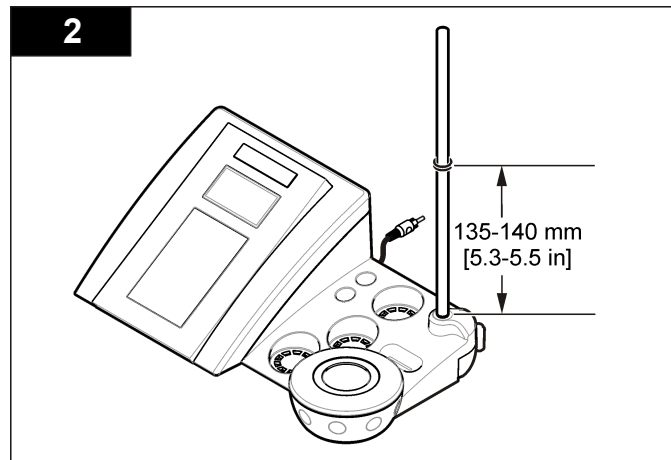
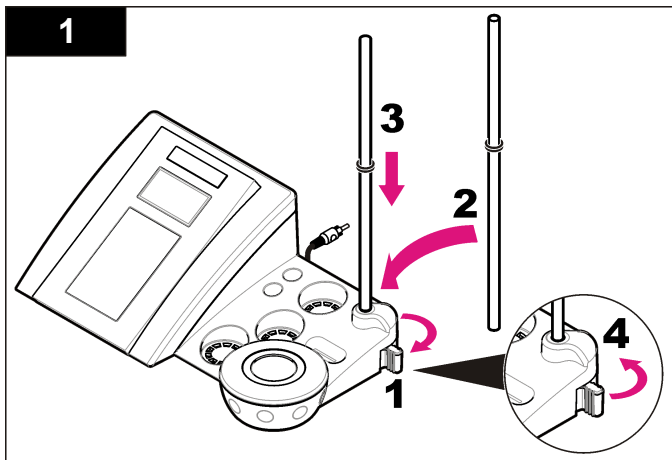


| | |
|--|--------------------------------------|
| 1 Elektrolyytti anturille | 5 Virtalähde |
| 2 Puskuriliuokset (pH 4,01, pH 7,00 ja pH 10,01) | 6 Statiivi, jossa o-renkas |
| 3 Kalibrointidekanterit (sisällä magneettisauva) | 7 Anturi (sisältyy vain pakkauksiin) |
| 4 Anturipidike | 8 Mittari |

Asennus

Anturipidikkeen kokoaminen

Kokoa anturipidike ja liitä magneettisekoittaja noudattamalla ohjeen vaiheita numerjärjestyksessä.



Kytkeminen verkkovirtaan

⚠ VAARA

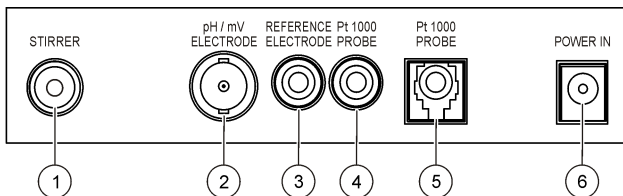


Tappavan sähköiskun vaara. Jos laitetta käytetään ulkona tai mahdollisesti märässä paikassa, on käytössä oltava vikavirtakytkin laitteen ja virtalähteen välissä.

Mittaria voidaan käyttää verkkovirralla yleisverkkovirtasovittimen avulla.

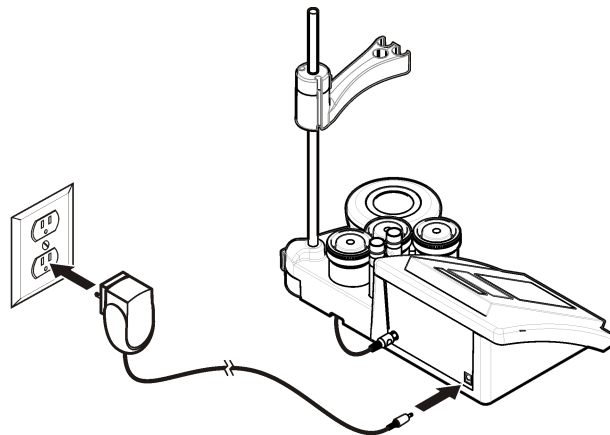
1. Valitse pistorasiaan sopiva sovittimen pistoke sovintipakkauksesta.
2. Kytke yleisverkkovirtasovitin mittariin (Kuva 2).
3. Kytke yleisverkkovirtasovitin pistorasiaan (Kuva 3).
4. Kytke mittariin virta.

Kuva 2 Liitäntäpaneeli



| | |
|--|--|
| 1 Magneettisekoittajan liitäntä | 4 Lämpötila-anturin liitäntä |
| 2 Yhdistelmä-pH-elektrodin (tai ilmaisimen) liitäntä | 5 Erillisen lämpötila-anturin liitäntä |
| 3 Referenssielektrodin liitäntä (erilliset elektrodit) | 6 Virtalähde |

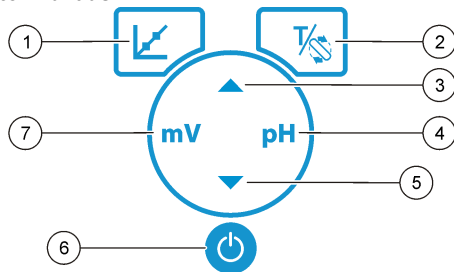
Kuva 3 Kytkeminen verkkovirtaan



Käyttöliittymä ja selaaminen

Käyttöliittymä

Näppäimistön kuvaus

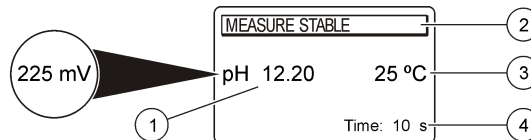


| | |
|---|--|
| 1 KALIBROINTI-painike: kalibroinnin aloittaminen, kalibrointitietojen näyttäminen ja kalibrointivälin muuttaminen | 5 ALAS-näppäin: selaa toimintoja, muuta arvoja |
| 2 LÄMPÖTILA- ja SEKOITTAJA-painikkeet: lämpötilayksikön (°C, °F) tai sekoitusnopeuden vaihtaminen | 6 ON/OFF: mittarin virran kytkeminen ja sammuttaminen |
| 3 YLÖS-näppäin: selaa toimintoja, muuta arvoja | 7 mV-mittauspainike: ORP (mV) -mittauksen aloittaminen |
| 4 pH-mittauspainike: pH-mittauksen aloittaminen | |

Näytön kuvaus

Mittari näyttää pitoisuuden, yksiköt, lämpötilan, kalibrointitilauksen, päivämäärän ja kellonajan.

Kuva 4 Yhden ruudun näyttö



| | |
|---------------------------------------|----------------------------------|
| 1 Mittayksikkö ja arvo (pH, ORP [mV]) | 3 Näytteen lämpötila (°C tai °F) |
| 2 Mittaustila tai aika ja päivämäärä | 4 Mittauksen visuaalinen ajastin |

Navigointi

Kalibroi anturi kalibrointinäppäimellä . Tee näytemittaus parametrinäppäimen avulla. Muuta lämpötilaa (°C, °F) tai sekoitusnopeutta TEMPERATURE (Lämpötila)- ja STIRRER (Sekoitus) -näppäimillä. Valitse muita toimintoja tai muuta arvoa nuolinäppäimillä . Tarkkaile näyttöä työskentelyn aikana, sillä sien tiedot vaihtuvat nopeasti. Katso lisätietoja kyseistä tehtävää käsittelevästä kohdasta.

Käynnistys

Mittarin käynnistäminen ja sammuttaminen

HUOMAUTUS

Varmista, että anturi on kytketty mittariin, ennen kuin mittari käynnistetään.

Sammuta tai käynnistä mittari painamalla -painiketta. Jos mittari ei käynnisty, varmista, että verkkovirtalähde on kunnolla kytketty pistorasiaan.

Kielen vaihtaminen


Näytön kieli valitaan, kun mittari käynnistetään ensimmäistä kertaa.

Valitse kieli luettelosta ▲ - tai ▼ -painikkeella. Mittari palaa automaattisesti takaisin mittausnäyttöön 3 sekunnin kuluttua.

Huomautus: ▲ Kielen voi muuttaa päävalikosta käsin painamalla -painiketta.

Peruskäyttö





Kalibrointi

| ▲ VAARA | |
|--|--|
|  | Kemikaalille altistumisen vaara. Noudata laboratorion turvallisuusohjeita ja käytä käsiteltäville kemikaaleille soveltuvia suojavarusteita. Lue turvallisuusprotokollat ajan tasalla olevista käyttöturvatiedoista (MSDS/SDS). |

Kalibrointiohjeet

Nämä ohjeet soveltuvat nestemäisille kalibrointiliuksille. Katso lisätietoja anturin mukana tulleista oppaista.


Huomautus: Liuoksia on sekoitettava kalibroinnin aikana. Lisätietoja sekoitusasetuksista on kohdassa [Sekoitusasetusten muuttaminen](#) sivulla 141.

1. Kaada puskuri- tai kalibrointiliukset merkittyihin kalibrointidekanttereihin.
2. Valitse päävalikosta pH- tai mV-mittauksen kalibrointi painamalla  -painiketta.
3. Huuhtelee anturi deionisoidulla vedellä ja aseta anturi ensimmäiseen kalibrointidekantteriin. Varmista, ettei kalvoon ole jäänyt ilmakuplia.
4. Mittaa ensimmäinen kalibrointiliuos painamalla  -painiketta. Seuraava kalibrointiliuos tulee näkyviin.
5. Huuhtelee anturi deionisoidulla vedellä ja aseta anturi toiseen kalibrointidekantteriin. Varmista, ettei kalvoon ole jäänyt ilmakuplia.
6. Mittaa toinen kalibrointiliuos painamalla  -painiketta. Seuraava kalibrointiliuos tulee näkyviin.
7. Huuhtelee anturi deionisoidulla vedellä ja aseta anturi kolmanteen kalibrointidekantteriin. Varmista, ettei kalvoon ole jäänyt ilmakuplia.
8. Mittaa kolmas kalibrointiliuos painamalla  -painiketta.

Kun kalibrointi on onnistunut, näytössä näkyy hetken ajan teksti 3rd Buffer OK ja sen jälkeen päävalikko.

Kalibrointitietojen näyttäminen


Viimeisimmän kalibroinnin tiedot voidaan näyttää.

1. Paina päävalikossa  -painiketta.
2. Katso uusimmat kalibrointitiedot valitsemalla ▼ . Mittari palaa automaattisesti takaisin mittausnäyttöön 3 sekunnin kuluttua.

Kalibrointimuistutuksen määrittäminen

Kalibroinnin muistutusväliksi voidaan asettaa 0–23 tuntia tai 1–7 päivää (oletuksena 1 päivä). Seuraavaan kalibrointiin jäljellä oleva aika näkyy näytössä.

Huomautus: Kun asetukseksi on valittu 0 päivää, kalibrointimuistutus ei ole käytössä.

1. Paina päävalikossa ensin  -painiketta ja sitten ▼ -painiketta, kunnes näytössä näkyy Cal. frequency (Kalibrointiväli).
2. Muuta arvoa ▲ - tai ▼ -painikkeella. Mittari palaa automaattisesti takaisin mittausnäyttöön 3 sekunnin kuluttua.

Näytteiden mittaaminen

Näytteen valmistelun vaiheet ja menetelmät ennen mittauksen suorittamista ovat erilaiset kullakin anturilla. Katso tarkempia ohjeita anturin mukana toimitetuista oppaista.

Huomautus: Liuoksia on sekoitettava mittauksen aikana. Lisätietoja sekoitusasetuksista on kohdassa [Sekoitusasetusten muuttaminen](#) sivulla 141.

Huomautus: Lämpötila ei näy ORP (mV) -mittauksen aikana, kun lämpötila-anturi ei ole kytkettynä.

Tee näytemittaus painamalla pH- tai ORP (mV) -painiketta. Mittauksen aikana parametri vilkkuu näytössä ja ajastimessa näkyy tasaantumisaika. Muuta mittausparametria tarvittaessa pitämällä pH- tai ORP (mV) -painiketta painettuna.

Tee jatkuva näytemittaus aloittamalla mittaus pH- tai ORP (mV) -painikkeella ja painamalla pH- tai ORP (mV) -painiketta uudelleen.

stabiloinnin aikana. Parametrin vilkkuminen kertoo, että jatkuva mittaustila on käytössä.

Edistynyt käyttö

Päiväyksen ja ajan muuttaminen

Päiväystä ja aikaa voidaan muuttaa Date and Time (Päiväys ja aika) -valikossa.


1. Siirry Date and Time (Päiväys ja aika) -valikkoon ▼ -painikkeella. Päivämäärän ja ajan muoto: pp-kk-vvvv 24 h. Muutettava ominaisuus korostetaan automaattisesti ja korostus siirtyy seuraavaan ominaisuuteen, jos ▲ - tai ▼ -painiketta ei paineta.
2. Ominaisuuden arvoa muutetaan painamalla ▲ - tai ▼ -painiketta, kun valittu arvo on korostettuna. Oikea aika ja päiväys näkyvät näytöllä.

Näytön kontrastin säätäminen

1. Avaa Display contrast (Näytön kontrasti) -valikko painamalla ▲ - ja ▼ -painikkeita yhtä aikaa.
2. Säädä näytön kontrasti ▲ - tai ▼ -painikkeella ja vahvista. Mittari palaa automaattisesti takaisin mittausunäyttöön 3 sekunnin kuluttua.

Sekoitusasetusten muuttaminen

Sekoitusnopeutta voi vaihtaa kalibroinnin ja mittauksen aikana.

1. Voit avata sekoitusvalikon kalibroinnin tai mittauksen aikana painamalla  -painiketta.
2. Säädä sekoitusnopeutta prosentuaalisesti ▲ - tai ▼ -painikkeella.


Lämpötilayksikön muuttaminen

Lämpötilan yksiköksi voi valita joko Celsius tai Fahrenheit.

1. Paina päävalikossa  -painiketta.

2. Valitse  -painikkeella Celsius tai Fahrenheit.

Huolto

| ▲ VAROTOIMI | |
|---|---|
|  | Useita vaaroja. Vain ammattitaitoinen henkilö saa suorittaa käyttöohjeen tässä osassa kuvatut tehtävät. |

| HUOMAUTUS |
|--|
| Älä pura laitetta huoltamista varten. Jos laitteen sisällä olevia osia on puhdistettava tai korjattava, ota yhteys valmistajaan. |

Laitteen puhdistaminen

| HUOMAUTUS |
|---|
| Älä koskaan käytä laitteen tai sen näytön ja lisävarusteiden puhdistamisessa tärpättiä, asetonia tai vastaavia tuotteita. |

Puhdista laitteen ulkopinta kostealla liinalla ja miedolla saippualliuoksella.

Anturin puhdistaminen

Puhdista anturi tarvittaessa. Lisätietoja puhdistamisesta on kohdassa [Vianmääritys](#) sivulla 144. Anturin käyttöohjeissa on tietoa anturin huoltamisesta.

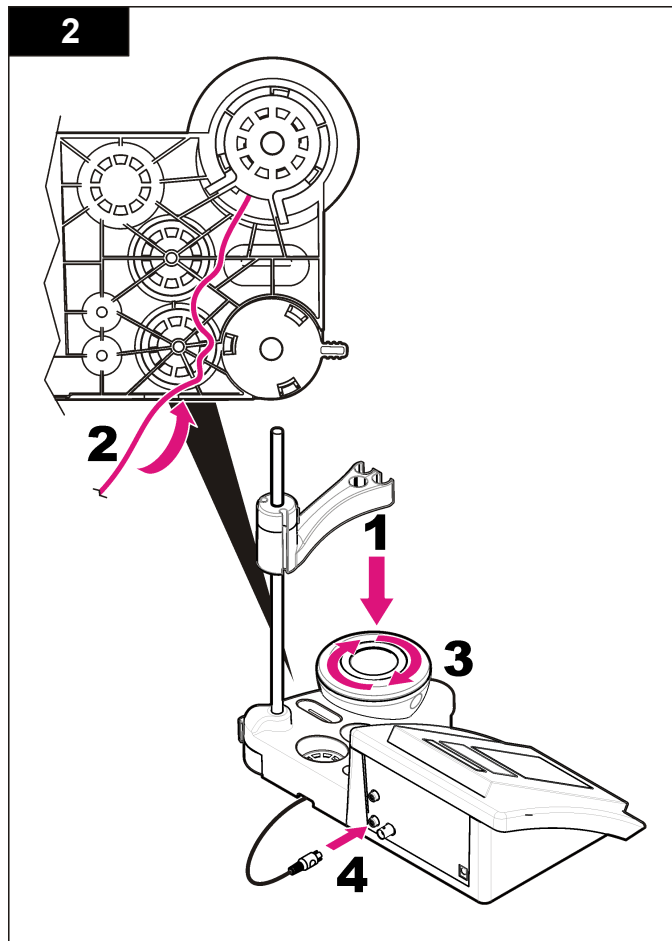
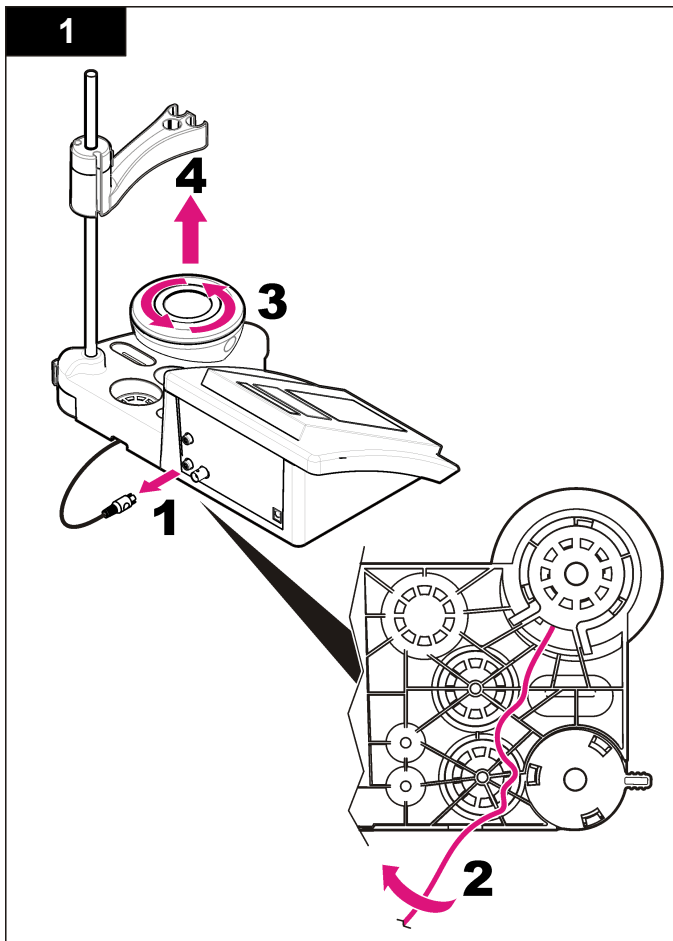
Käytä kontaminoituneen pH-anturin puhdistamiseen kohdassa [Taulukko 1](#) lueteltuja puhdistusaineita.

Taulukko 1 Puhdistusaineet pH-anturille

| Kontaminaatio | Puhdistusaine |
|---------------|------------------------------------|
| Proteiinit | Pepsiiniä sisältävä puhdistusliuos |
| Rasvat, öljyt | Elektroodin puhdistusliuos |
| Kalkki | 0,1 N HCl |

Magneettisekoittajan vaihtaminen




Jos magneettisekoittaja ei käynnisty, vaihda se noudattaen ohjetta numerojärjestyksessä.




Vianmääritys

Seuraavassa taulukossa on esitetty yleisimmät ongelmat oireineen, mahdollisine syineen ja ratkaisuihineen.


Taulukko 2 Kalibroinnin varoitukset ja vikailmoitukset

| Vikailmoitus/varoitus | Ratkaisu |
|--|---|
| Asymmetry > 58 mV (Asymmetria > 58 mV) | Slope alueen ulkopuolella (hyväksytyt arvot \pm 58 mV) Toista  -painikkeella. Kytke uusi anturi. |
| Buffer or electrode in poor conditions. (Puskurin tai elektrodin kunto huono.) | Toista  -painikkeella. Tutki anturi: puhdista se (ks. lisätietoja kohdasta Anturin puhdistaminen sivulla 141) ja varmista, ettei kalvossa ole ilmakeupia. Ravista anturia kuin lämpömittaria. Selvitä, onko ongelma anturissa vai mittarissa kytkemällä mittariin jokin toinen anturi. |
| Sens. (a) < 70% (Anturin (a) < 70%) | |
| BUFFER NOT RECOGNIZED (Puskuri tuntematon) | Tutki puskuriliuos: varmista, että käytetty puskuuri vastaa asetuksissa määritettyä puskuuria ja tarkista asetuksissa määritetty lämpötila. Käytä uutta puskuriliuosta. |
| UNSTABLE READING (Epävakaata lukema) Time t > 100 s (Aika t > 100 s) | Toista  -painikkeella. Tutki anturi: puhdista se (ks. lisätietoja kohdasta Anturin puhdistaminen sivulla 141) ja varmista, ettei kalvossa ole ilmakeupia. Ravista anturia kuin lämpömittaria. Selvitä, onko ongelma anturissa vai mittarissa kytkemällä mittariin jokin toinen anturi. Varmista, että molemmat kalvot ovat kunnolla näytteenesteen peitossa. |

Taulukko 2 Kalibroinnin varoitukset ja vikailmoitukset (jatk.)

| Vikailmoitus/varoitus | Ratkaisu |
|---|--|
| Electrode in poor conditions. (Elektrodin kunto huono.) | Tutki anturi: puhdista se (ks. lisätietoja kohdasta Anturin puhdistaminen sivulla 141) ja varmista, ettei kalvossa ole ilmakeupia. Ravista anturia kuin lämpömittaria. Selvitä, onko ongelma anturissa vai mittarissa kytkemällä mittariin jokin toinen anturi. |
| Check the electrode (Tarkista elektrodi) | |
| SAME BUFFERS (Samat puskuurit) | Toista  -painikkeella. Tutki anturi: puhdista se (ks. lisätietoja kohdasta Anturin puhdistaminen sivulla 141) ja varmista, ettei kalvossa ole ilmakeupia. Ravista anturia kuin lämpömittaria. Selvitä, onko ongelma anturissa vai mittarissa kytkemällä mittariin jokin toinen anturi. Tarkista puskuriliuos. Käytä uutta puskuriliuosta. |

Taulukko 3 Mittauksen varoitukset ja vikailmoitukset

| Vikailmoitus/varoitus | Ratkaisu |
|--|---|
| pH 12.78 19°C | Toista  -painikkeella. |
| pH out of range (pH alueen ulkopuolella) | Tutki anturi: puhdista se (ks. lisätietoja kohdasta Anturin puhdistaminen sivulla 141) ja varmista, ettei kalvossa ole ilmakeupia. Ravista anturia kuin lämpömittaria. Selvitä, onko ongelma anturissa vai mittarissa kytkemällä mittariin jokin toinen anturi. |

Taulukko 3 Mittauksen varoitukset ja vikailmoitukset (jatk.)

| Vikailmoitus/varoitus | Ratkaisu |
|--|--|
| Temp out of range °C (Lämpötila alueen ulkopuolella, °C) | Tutki lämpötila-anturi. Selvitä, onko ongelma anturissa vai mittarissa, kytkemällä mittariin jokin toinen anturi. |
| Time > 150 s (Aika > 150 s) | Varmista, että molemmat kalvot ovat kunnolla näytenesteen peitossa. Examine the temperature. (Tarkista lämpötila.) Tutki anturi: puhdista se (ks. lisätietoja kohdasta Anturin puhdistaminen sivulla 141) ja varmista, ettei kalvossa ole ilmakuplia. Ravista anturia kuin lämpömittaria. Selvitä, onko ongelma anturissa vai mittarissa kytkemällä mittariin jokin toinen anturi. |

Varaosat ja varusteet

Huomautus: Tuote- ja artikkelinumeroit voivat vaihdella joillain markkina-alueilla. Ota yhteys asianmukaiseen jälleenmyyjään tai hae yhteystiedot yhtiön Internet-sivustolta.

Varaosat

| Kuvaus | Osanumero |
|--|-----------------|
| sensION+ PH3 -pH-mittari laboratorioon, mukana lisävarusteet, ei anturia | LPV2000.98.0002 |
| sensION+ PH31 -pH-mittari laboratorioon, GLP-yhteensopiva, mukana lisävarusteet, ei anturia | LPV2100.98.0002 |
| sensION+ MM340 -pH- ja -ionimittari laboratorioon, GLP-yhteensopiva, 2 kanavaa, mukana lisävarusteet, ei anturia | LPV2200.98.0002 |
| sensION+ EC7 -johtokyky mittari laboratorioon, mukana lisävarusteet, ei anturia | LPV3010.98.0002 |

Varaosat (jatk.)

| Kuvaus | Osanumero |
|--|-----------------|
| sensION+ EC71 -johtokyky mittari laboratorioon, GLP-yhteensopiva, mukana lisävarusteet, ei anturia | LPV3110.98.0002 |
| sensION+ MM374 -mittari laboratorioon, 2 kanavaa, GLP-yhteensopiva, mukana lisävarusteet, ei anturia | LPV4110.98.0002 |

Kulutustavarat

| Kuvaus | Osanumero |
|--------------------------------------|------------|
| pH-puskuriliuos, 4,01, 125 ml | LZW9460.99 |
| pH-puskuriliuos, 7,00, 125 ml | LZW9461.98 |
| pH-puskuriliuos, 10,01, 125 ml | LZW9470.99 |
| pH-puskuriliuos, 4,01, 250 ml | LZW9463.99 |
| pH-puskuriliuos, 7,00, 250 ml | LZW9464.98 |
| pH-puskuriliuos, 10,01, 250 ml | LZW9471.99 |
| pH-puskuriliuos, 4,01, 1 000 ml | LZW9466.99 |
| pH-puskuriliuos, 7,00, 1 000 ml | LZW9467.98 |
| pH-puskuriliuos, 10,01, 1 000 ml | LZW9472.99 |
| Elektrolyyttiliuos (KCl 3 M), 125 ml | LZW9510.99 |
| Elektrolyyttiliuos (KCl 3 M), 250 ml | LZW9500.99 |
| Elektrolyyttiliuos (KCl 3 M), 50 ml | LZW9509.99 |
| Elektrolyyttiliuos, 0,1 M, 125 ml | LZW9901.99 |
| Entsyymiliuos | 2964349 |
| Pepsiiniä sisältävä puhdistusliuos | 2964349 |
| Elektrodiin puhdistusliuos | 2965249 |
| 0,1 N HCl | 1481253 |

Varusteet

| Kuvaus | Osanumero |
|---|------------|
| Magneettisekoittaja, jossa anturipidike, sensION+ MM - pöytälaitteisiin | LZW9319.99 |
| 3 kpl 50 ml:n asteikkolisia dekanttereita pH-kalibrointiin, pöytäkäyttö | LZW9110.98 |
| Kolmen anturin pidike, pöytämallisiin sensION+-instrumentteihin | LZW9321.99 |
| Teline ja pidike kolmelle anturille | LZW9155.99 |
| Kammio pyrex-lasia, jatkuvan virtauksen mittauksiin | LZW9118.99 |
| PP-suojus, elektrodien säilytykseen | LZW9161.99 |

Standardiliuokset

Tekniset puskuriliuokset (DIN 19267)

Katso kohdasta [Taulukko 4](#) puskurien pH- ja ORP (mV) -arvot eri lämpötiloissa.

Taulukko 4 pH-, ORP (mV)- ja lämpötila-arvot

| Lämpötila | | pH | | | | | mV |
|-----------|-----------|-------------|-------------|-------------|-------------|--------------|------------|
| °C | °F | | | | | | |
| 0 | 32 | 2,01 | 4,01 | 7,12 | 9,52 | 10,30 | — |
| 10 | 50 | 2,01 | 4,00 | 7,06 | 9,38 | 10,17 | 245 |
| 20 | 68 | 2,00 | 4,00 | 7,02 | 9,26 | 10,06 | 228 |
| 25 | 77 | 2,00 | 4,01 | 7,00 | 9,21 | 10,01 | 220 |
| 30 | 86 | 2,00 | 4,01 | 6,99 | 9,16 | 9,96 | 212 |
| 40 | 104 | 2,00 | 4,03 | 6,97 | 9,06 | 9,88 | 195 |
| 50 | 122 | 2,00 | 4,06 | 6,97 | 8,99 | 9,82 | 178 |
| 60 | 140 | 2,00 | 4,10 | 6,98 | 8,93 | 9,76 | 160 |

Taulukko 4 pH-, ORP (mV)- ja lämpötila-arvot (jatk.)

| Lämpötila | | pH | | | | | mV |
|-----------|-----|------|------|------|------|---|----|
| °C | °F | | | | | | |
| 70 | 158 | 2,01 | 4,16 | 7,00 | 8,88 | — | — |
| 80 | 176 | 2,01 | 4,22 | 7,04 | 8,83 | — | — |
| 90 | 194 | 2,01 | 4,30 | 7,09 | 8,79 | — | — |

Спецификации

Спецификациите подлежат на промяна без уведомяване.

| Спецификация | Подробности |
|---|--|
| Размери | 35 X 20 X 11 cm (13,78 X 7,87 X 4,33 инча) |
| Тегло | 1 100 гр. (2,43 lb) |
| Корпус на измервателното устройство | IP42 |
| Изисквания за захранването (външно) | 100–240 V, 0.4 A, 47-63 Hz |
| Клас на защита на измервателното устройство | Клас II |
| Температура на съхранение | от -15 до +65°C (от 5 до 149°F) |
| Работна температура | 0 до 40°C (41 до 104 °F) |
| Работна влажност | < 80% (без кондензация) |
| Разрешаваща способност | pH: 0.01, ORP: 1 mV, температура: 0,1°C (0,18°F) |
| Грешка при измерване (± 1 цифра) | pH: ≤ 0.01, ORP: ≤ 1 mV, температура: ≤ 0,2°C (≤ 0,36°F) |
| Възпроизводимост (± 1 цифра) | pH: ± 0.01, ORP: ± 1 mV, температура: ± 0,1°C (± 0,18°F) |
| Връзки | Комбинирана или индикаторна сонда: BNC конектор (Имп. >10 ¹² Ω); Референтен електрод: бананен конектор; А.Т.С. тип Pt 1000: бананен или телефонен конектор; магнитна бъркалка: RCA конектор |
| Корекция на температурата | Ръчно, Pt 1000 температурна сонда (А.Т.С.), NTC 10 kΩ сонда |
| Заклучване на дисплея с измерванията | Непрекъснато измерване, според устойчивостта |

| Спецификация | Подробности |
|--------------|---|
| Дисплей | Течен кристал, с осветяване отзад, 128 x 64 точки |
| Клавиатура | PET със защитно третиране |
| Сертификация | CE |

Обща информация

Коригираните издания можете да намерите на уебсайта на производителя.

Информация за безопасността

Забележка

Производителят не носи отговорност за никакви повреди, възникнали в резултат на погрешно приложение или използване на този продукт, включително, без ограничения, преки, случайни или възникнали впоследствие щети, и се отхвърля всяка отговорност към такива щети в пълната позволена степен от действащото законодателство. Потребителят носи пълна отговорност за установяване на критични за приложението рискове и монтаж на подходящите механизми за подsigуряване на процесите по време на възможна неизправност на оборудването.

Моля, внимателно прочетете ръководството преди разопаковане, инсталиране и експлоатация на оборудването. Обръщайте внимание на всички твърдения за опасност и предпазливост. Пренебрегването им може да доведе до сериозни наранявания на оператора или повреда на оборудването.

(Уверете се, че защитата, осигурена от това оборудване, не е занижена. Не го използвайте и не го монтирайте по начин, различен от определения в това ръководство.

Използване на информация за опасностите

▲ ОПАСНОСТ

Показва наличие на потенциална или непосредствена опасна ситуация, която ако не бъде избегната, ще предизвика смъртоносно или сериозно нараняване.

▲ ПРЕДУПРЕЖДЕНИЕ

Указва потенциално или непосредствено опасна ситуация, която, ако не бъде избегната, може да доведе до смърт или сериозно нараняване.

▲ ВНИМАНИЕ



Показва наличие на потенциално опасна ситуация, която може да предизвика леко или средно нараняване.

Забележка

Показва ситуация, която ако не бъде избегната, може да предизвика повреда на инструмента. Информация, която изисква специално изтъкване.

Предпазни надписи

Прочетете всички надписи и етикети, поставени на инструмента. Неспазването им може да доведе до физическо нараняване или повреда на инструмента. Символът върху инструмента е описан в ръководството с препоръка за повишено внимание.

| | |
|--|--|
|  | Ако е отбелязан върху инструмента, настоящият символ означава, че е необходимо да се направи справка с ръководството за работа и/или информацията за безопасност. |
|  | Електрическо оборудване, което е обозначено с този символ, не може да бъде изхвърляно в европейските частни или публични системи за изхвърляне на отпадъци. Оборудването, което е остаряло или е в края на жизнения си цикъл, трябва да се връща на производителя, без да се начисляват такси върху потребителя. |

Общ преглед на продукта

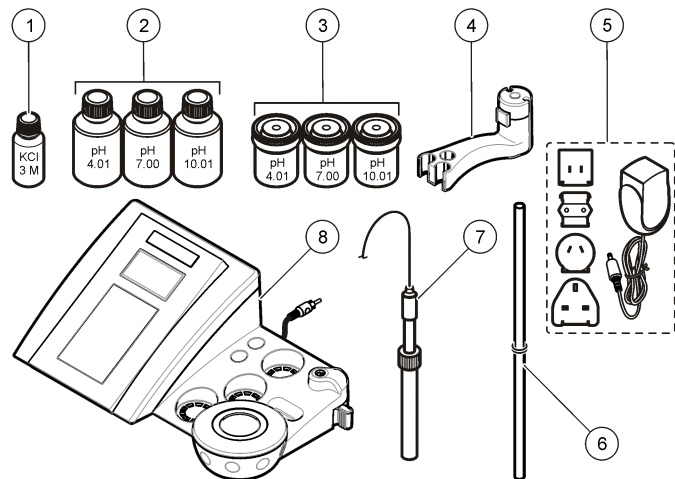
Измервателните устройства от серията ensION™+ се използват със сонди за измерване на различни параметри във водата.

Измервателното устройство sensION™+ PH3 измерва pH, ORP (mV) или температура.

Компоненти на продукта

Вижте [Фигура 1](#), за да се уверите, че всички компоненти са получени. Ако някои от компонентите липсват или са повредени, незабавно се свържете с производителя или с търговски представител.

Фигура 1 Компоненти на измервателното устройство

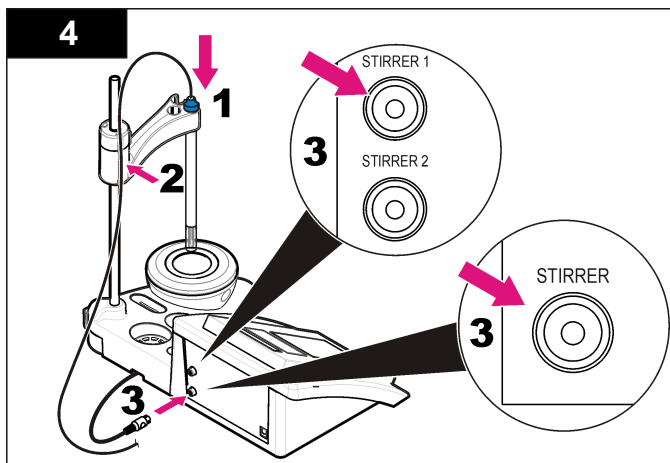
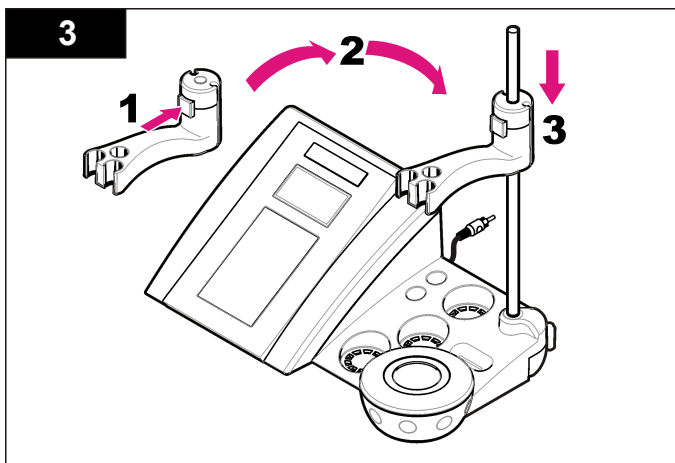
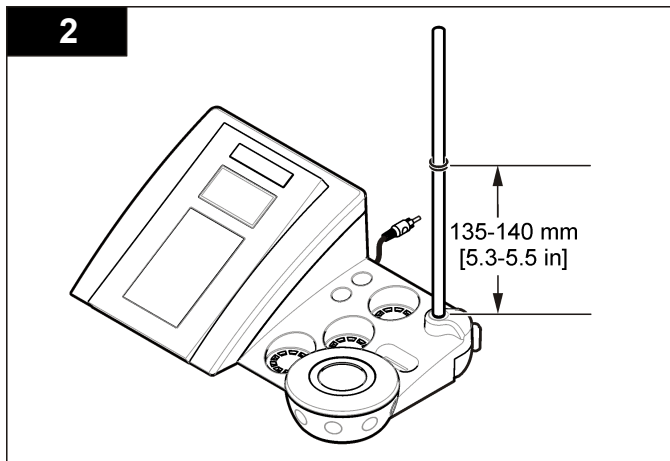
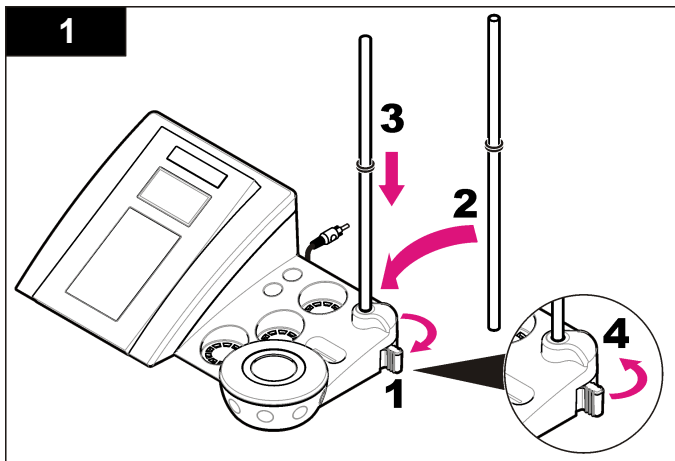


Инсталиране

Поставете държача на сондата


Приложете номерираните стъпки, за да поставите държача на сондата и да съедините магнитната бъркалка.

| | |
|--|--|
| 1 Електролит за сондата | 5 Захранване |
| 2 Буферни разтвори (pH 4.01, pH 7.00 и pH 10.01) | 6 Прът с о-пръстен |
| 3 Улеи за калибрация (с магнитна лента отвътре) | 7 Сonda (приложена само към комплектите) |
| 4 Държач на сондата | 8 Измервателно устройство |



Свързване към променливотоково захранване

⚠ ОПАСНОСТ

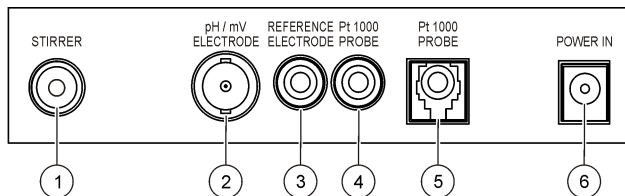


Опасност от електрически удар. Ако това оборудване се използва на открито или на потенциално мокри места, трябва да се използва устройство за изключване при късо съединение (GFCI/GFI) за свързване на оборудването към основния захранващ източник.

Измервателното устройство може да се захранва с променлив ток чрез универсален захранващ адаптер.

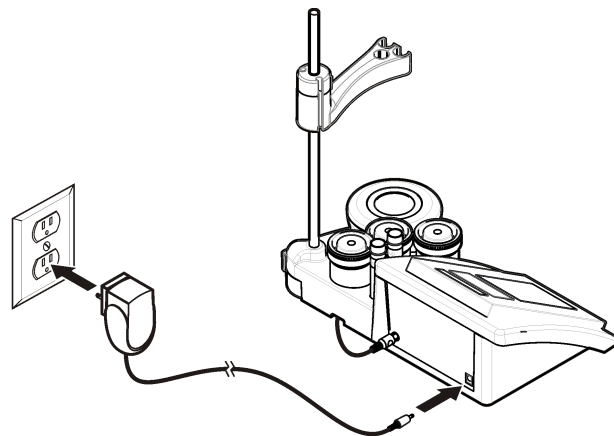
1. Изберете правилния щепсел за адаптера за извода за захранване от комплекта на адаптера.
2. Свържете универсалния захранващ адаптер към измервателното устройство (Фигура 2).
3. Свържете универсалния захранващ адаптер към променливотоков контакт (Фигура 3).
4. Включете измервателното устройство.

Фигура 2 Панел на конектора



| | |
|---|--|
| 1 Конектор на магнитната бъркалка | 4 Конектор на температурната сонда |
| 2 Конектор на комбинирания pH електрод (или индикатор) | 5 Конектор на отделна температурна сонда |
| 3 Конектор на референтния електрод (отделени електроди) | 6 Захранване |

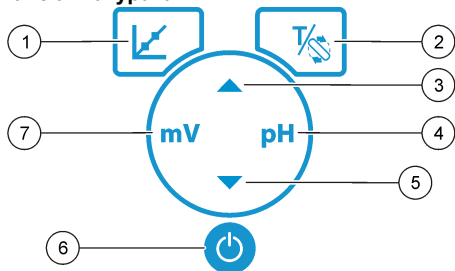
Фигура 3 Свързване към променливотоково захранване



Потребителски интерфейс и навигация

Потребителски интерфейс

Описание на клавиатурата

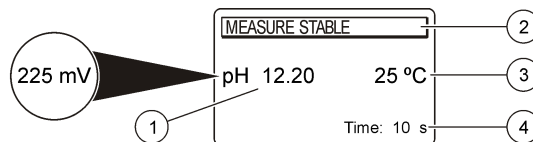


| | |
|---|---|
| 1 Клавиш CALIBRATION (КАЛИБРАЦИЯ): старт на калибрация, преглед на данни от калибрация и промяна на честотата на калибрация | 5 Клавиш DOWN (НАДОЛУ): преминавате на други опции, променят стойност |
| 2 Клавиши TEMPERATURE (ТЕМПЕРАТУРА) и STIRRER (ИНСТРУМЕНТ ЗА РАЗБЪРКВАНЕ): смяна на температурата (°C, °F) или скоростта на разбъркване | 6 Вкл./Изкл.: включване или изключване на измервателното устройство |
| 3 Клавиш НАГОРЕ: преминавате на други опции, променят стойност | 7 Клавиш за измерване на mV: стартиране на измерване на ORP (mV) |
| 4 Клавиш за измерване на pH: стартиране на измерване на pH | |

Описание на дисплея

Дисплеят на измервателното устройство показва концентрацията, мерните единици, температурата, състоянието на калибриране, датата и часа.

Фигура 4 Дисплей с единичен екран



| | |
|---|--------------------------------------|
| 1 Мерна единица и стойност (pH, ORP (mV)) | 3 Температура на пробата (°C или °F) |
| 2 Режим на измерване или час и дата | 4 Таймер за визуално измерване |

Навигация

С помощта на клавиша за калибрация калибрирайте сондата. С помощта на клавиша за параметри направете пробно измерване. Използвайте клавишите TEMPERATURE (ТЕМПЕРАТУРА) и STIRRER (ИНСТРУМЕНТ ЗА РАЗБЪРКВАНЕ) , за да смените температурата (°C, °F) или скоростта на разбъркване. С помощта на клавишите със стрелки прегледайте останалите опции или сменете опция. Непременно наблюдавайте дисплея по време на изпълнението на задачите, тъй като екраните се сменят бързо. За конкретни инструкции разглеждайте всяка задача поотделно.

Включване

Включване и изключване на уреда

Забелжка

Проверете дали сондата е включена в измервателното устройство преди неговото включване.

Натиснете , за да включите или изключите измервателното устройство. Ако измервателното устройство не се включи, уверете се, че променливотоковото захранване е правилно свързано към електрически контакт.



Смяна на езика

Екранният език се избира при включването на уреда за първи път. Използвайте ▲ или ▼, за да изберете език от списъка. Измервателният уред автоматично се връща на екрана на измерването след 3 секунди.

Забележка: ▲ За да смените езика от главното меню, натиснете .

Стандартна операция



Калибриране



| ▲ ОПАСНОСТ | |
|---|--|
|  | Опасност от химическа експлозия. Спазвайте лабораторните процедури за безопасност и носете пълното необходимо лично предпазно оборудване при боравене със съответните химически вещества. За информация относно протоколите по безопасност разгледайте информационните листи за безопасност на материала (MSDS/SDS). |
|  | |

Калибровъчна процедура

Тази процедура е за стандартно предназначение при работа с течни разтвори за калибрация. За допълнителна информация разгледайте документите, включени към всяка сонда.


Забележка: По време на калибрацията разтворите трябва да бъдат разбърквани. За допълнителна информация относно настройките на разбъркване разгледайте [Сменете настройките на разбъркване на страница 154](#).

1. Излейте буферите или разтворите за калибрация в обозначените с етикети тръбички за калибрация.
2. От главното меню натиснете , за да изберете калибрация на pH или mV.
3. Промийте сондата с йонизирана вода и я поставете в първата тръбичка за калибрация. Уверете се, че в диафрагмата няма никакви навлезли въздушни мехурчета.
4. Натиснете , за да измерите първия разтвор за калибрация. Показва се следващият разтвор за калибрация.

5. Промийте сондата с йонизирана вода и я поставете във втората тръбичка за калибрация. Уверете се, че в диафрагмата няма никакви навлезли въздушни мехурчета.
6. Натиснете , за да измерите втория разтвор за калибрация. Показва се следващият разтвор за калибрация.
7. Промийте сондата с йонизирана вода и я поставете в третата тръбичка за калибрация. Уверете се, че в диафрагмата няма никакви навлезли въздушни мехурчета.
8. Натиснете , за да измерите третия разтвор за калибрация. След като постигнете добро ниво на калибриране, на дисплея за кратко се показва съобщението "3rd Buffer OK" (Третият буфер е ОК), след което се връща в главното меню.

Преглед на данните за калибриране


Могат да се покажат данните от последните калибрации.

1. От главното меню натиснете  .
2. За да разгледате данните от калибрирането, използвайте ▼ . Измервателният уред автоматично се връща на екрана на измерването след 3 секунди.

Задайте напомняне за калибрация

Напомнянето за калибрация може да се настрои от 0 до 23 часа или 1 - 7 дни (по подразбиране е 1 ден). На дисплея се показва оставащото време до следващото калибриране.

Забележка: Когато изберете да е 0 дни, напомнянето за калибрация се изключва.

1. От главното меню натиснете  и след това ▼ , докато на дисплея се появи Cal. frequency (Кал. честота).
2. Използвайте ▲ или ▼ , за да смените стойността. Измервателният уред автоматично се връща на екрана на измерването след 3 секунди.

Пробни измервания

Всяка сонда има конкретни подготвителни стъпки и процедури за извършване на измервания на проби. За поетапни указания вижте документите, включени със сондата.

Забележка: По време на измерването разтворите трябва да бъдат разбърквани. За допълнителна информация относно настройките на разбъркване разгледайте [Сменете настройките на разбъркване на страница 154](#).

Забележка: Температурата не се показва по време на измерване на ORP (mV), докато температурната сонда не е включена.






За да направите пробно измерване, натиснете pH или ORP (mV). По време на измерванията параметърът свети, а таймерът показва времето за стабилизиране. За да смените параметъра на измерване (ако е приложимо), натиснете и задръжте pH или ORP (mV).

За да направите непрекъснато измерване на пробата, натиснете pH или ORP (mV), за да стартирате измерване, или натиснете отново pH или ORP (mV), докато трае стабилизирането. Параметърът светва, за да обозначи продължителния режим на измерване.





Усъвършенствана операция

Промяна на датата и часа

Можете да промените датата и часа от менюто Дата и час.




1. Използвайте , за да влезете в меню "Date and Time" (Дата и час). Формат на дата и час: дд-мм-гггг 24 ч. Атрибутът, който трябва да се промени, ще се маркира автоматично и ще премине на следващия атрибут, ако не бъде натиснат нито един  или .
2. За да смените атрибут, натиснете  или , когато бъде избран маркирания атрибут. Текущите дата и час ще се покажат на дисплея.

Регулиране на контраста на дисплея

1. Натиснете  и  едновременно, за да влезете в меню "Display contrast" (Контраст на дисплея).
2. Използвайте  и , за да настроите контраста на дисплея. Измервателният уред автоматично се връща на екрана на измерването след 3 секунди.



Сменете настройките на разбъркване

Скоростта на разбъркване може да се промени както по време на калибриране, така и по време на измерване.


1. За да отворите меню "Stirring" (Разбъркване), натиснете  по време на калибриране или измерване.
2. Използвайте  или , за да промените скоростта на разбъркване в %.

Променете единиците за измерване на температурата

Единиците за измерване на температурата могат да се променят от Целзий на Фаренхайт и обратно.

1. От главното меню натиснете .
2. Натиснете , за да изберете Целзий или Фаренхайт.

Поддръжка

| ▲ ВНИМАНИЕ | |
|---|--|
|  | Множество опасности. Задачите, описани в този раздел на ръководството, трябва да се извършват само от квалифициран персонал. |

Забележка

Не разглобявайте инструмента с цел извършване на поддръжка. Ако трябва да почистите или ремонтирате вътрешни компоненти се свържете с производителя.

Почистете инструмента

Забележка

Никога не използвайте почистващи вещества от типа на турпентин, ацетон или подобни на тях за почистване на инструмента, включително дисплея и принадлежностите му.

Почиствайте външната повърхността на инструмента с влажна кърпа и мек сапунен разтвор.

Почистете сондата

Почистете сондата, ако се налага. За допълнителна информация относно почистването разгледайте [Отстраняване на повреди](#)

на страница 157. За информация относно поддръжката на сондата разгледайте документацията към нея.

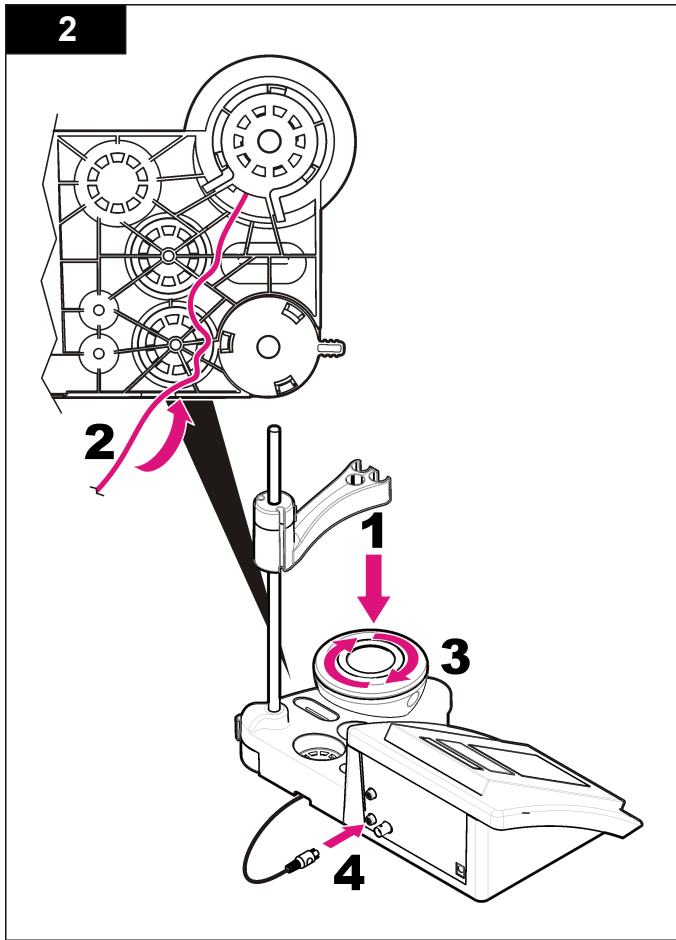
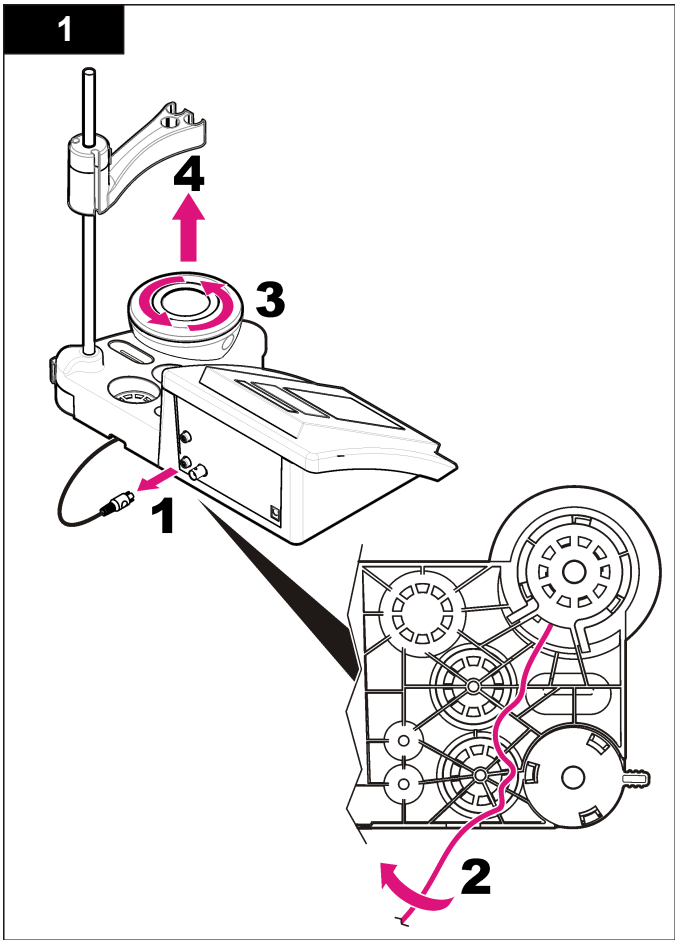
За информация относно замърсяванията по рН сондата използвайте почистващите препарати, вписани в [Таблица 1](#).

Таблица 1 Почивстващи препарати за рН сондата

| Замърсяване | Почистващ препарат |
|----------------------|------------------------------|
| Протеини | Почистващ препарат с пепсин |
| Грес, масла, мазнини | Електроден почистващ разтвор |
| Шлака | Разтвор на 0,1 N HCl |

Сменете магнитната бъркалка

Ако магнитната бъркалка не се активира, я сменете, като приложите номерираните стъпки.



Отстраняване на повреди

Вижте следващата таблица за често срещани съобщения или симптоми за проблеми, възможни причини и корективни действия.

Таблица 2 Предупреждения и грешки, свързани с калибрация



| Грешка/Предупреждение | Разтвор |
|--|---|
| Асиметрия > 58 mV | Наклонът е извън обхват (допустими стойности ± 58 mV). Повторете с  Свържете нова сонда. |
| Буферът или електродът е в лошо състояние. | Повторете с  Огледайте сондата: почистете сондата (разгледайте Почистете сондата на страница 155 за повече информация); уверете се, че в мембраната няма никакви въздушни мехурчета. Разклатете сондата подобно на термометър; поставете друга сонда, за да проверите дали проблемът е в сондата или в устройството за измерване. Огледайте буферния разтвор: уверете се, че използваният буфер съответства на указания в конфигурацията; проверете температурната спецификация в конфигурацията; използвайте нов буферен разтвор. |
| Чувств. (а) < 70% | |
| БУФЕРЪТ НЕ Е РАЗПОЗНАТ | |

Таблица 2 Предупреждения и грешки, свързани с калибрация (продължава)




| Грешка/Предупреждение | Разтвор |
|---|--|
| НЕУСТОЙЧИВИ ПОКАЗАНИЯ Време t > 100 сек. | Повторете с  Огледайте сондата: почистете сондата (разгледайте Почистете сондата на страница 155 за повече информация); уверете се, че в мембраната няма никакви въздушни мехурчета. Разклатете сондата подобно на термометър; поставете друга сонда, за да проверите дали проблемът е в сондата или в устройството за измерване. Проверете дали мембраната и диафрагмата са правилно потопени в пробата. |
| Електродът е в лошо състояние. | Огледайте сондата: почистете сондата (разгледайте Почистете сондата на страница 155 за повече информация); уверете се, че в мембраната няма никакви въздушни мехурчета. Разклатете сондата подобно на термометър; поставете друга сонда, за да проверите дали проблемът е в сондата или в устройството за измерване. |
| Проверете електрода | |
| ЕДНАКВИ БУФЕРИ | Повторете с  Огледайте сондата: почистете сондата (разгледайте Почистете сондата на страница 155 за повече информация); уверете се, че в мембраната няма никакви въздушни мехурчета. Разклатете сондата подобно на термометър; поставете друга сонда, за да проверите дали проблемът е в сондата или в устройството за измерване. Огледайте буферния разтвор: използвайте нов буферен разтвор. |

Таблица 3 Предупреждения и грешки, свързани с измерване

| Грешка/Предупреждение | Разтвор |
|---------------------------------|---|
| pH 12,78 19°C | Повторете с  |
| pH е извън диапазона | Огледайте сондата: почистете сондата (разгледайте Почистете сондата на страница 155 за повече информация); уверете се, че в мембраната няма никакви въздушни мехурчета. Разклатете сондата подобно на термометър; поставете друга сонда, за да проверите дали проблемът е в сондата или в устройството за измерване. |
| Температурата е извън обхват °C | Проверете сензора за температура. Свържете друга сонда, за да проверите дали проблемът е със сондата или с измервателното устройство. |
| Време > 150 сек. | Проверете дали мембраната и диафрагмата са правилно потопени в пробата. Проверете температурата. Огледайте сондата: почистете сондата (разгледайте Почистете сондата на страница 155 за повече информация); уверете се, че в мембраната няма никакви въздушни мехурчета. Разклатете сондата подобно на термометър; поставете друга сонда, за да проверите дали проблемът е в сондата или в устройството за измерване. |

Резервни части и аксесоари

Забележка: Продуктовите и каталожните номера може да се различават в някои региони на продажба. Свържете се със съответния дистрибутор или посетете уебсайта на компанията за информация за контакт.

Резервни части

| Описание | Каталожен номер |
|---|-----------------|
| sensION+ PH3 Lab pH-измервателно устройство с принадлежности, без сонда | LPV2000.98.0002 |
| sensION+ PH31 Lab pH-измервателно устройство с принадлежности, без сонда | LPV2100.98.0002 |
| sensION+ MM340 Lab pH & Ion-измервателно устройство, GLP, 2 канала, с принадлежности, без сонда | LPV2200.98.0002 |
| sensION+ EC7 Lab устройство за измерване на проводимост, с принадлежности, без сонда | LPV3010.98.0002 |
| sensION+ EC71 Lab устройство за измерване на проводимост, GLP, с принадлежности, без сонда | LPV3110.98.0002 |
| sensION+ MM374, 2-канално Lab измервателно устройство, GLP, принадлежности, без сонди | LPV4110.98.0002 |

Консумативи

| Описание | Каталожен номер |
|---------------------------------------|-----------------|
| pH буферен разтвор 4.01, 125 mL | LZW9460.99 |
| pH буферен разтвор 7.00, 125 mL | LZW9461.98 |
| pH буферен разтвор 10.01, 125 mL | LZW9470.99 |
| pH буферен разтвор 4.01, 250 mL | LZW9463.99 |
| pH буферен разтвор 7.00, 250 mL | LZW9464.98 |
| pH буферен разтвор 10.01, 250 mL | LZW9471.99 |
| pH буферен разтвор 4.01, 1000 mL | LZW9466.99 |
| pH буферен разтвор 7.00, 1000 mL | LZW9467.98 |
| pH буферен разтвор 10.01, 1000 mL | LZW9472.99 |
| Електролитен разтвор (KCl 3M), 125 mL | LZW9510.99 |

Консумативи (продължава)

| Описание | Каталожен номер |
|---|-----------------|
| Електролитен разтвор (KCl 3M), 250 mL | LZW9500.99 |
| Електролитен разтвор (KCl 3M), 50 mL | LZW9509.99 |
| Електролитен разтвор (KCl 0,1M), 125 mL | LZW9901.99 |
| Ензимен разтвор | 2964349 |
| Почистващ препарат с пепсин | 2964349 |
| Електроден почистващ разтвор | 2965249 |
| Разтвор на 0,1 N HCl | 1481253 |

Принадлежности

| Описание | Каталожен номер |
|---|-----------------|
| Магнитна бъркалка със сензорна дръжка, за sensION+ MM модул | LZW9319.99 |
| 3x50 mL отпечатани улеи за калибрация на pH модул | LZW9110.98 |
| Дръжка за три сензора за инструменти с модул sensION+ | LZW9321.99 |
| Дръжка и скоба за три сензора | LZW9155.99 |
| Стъклена кухня от пирекс, измервания за непрекъснат поток | LZW9118.99 |
| PP протектор, екетродно хранилище | LZW9161.99 |

Стандартни разтвори

Технически решения за буфери (DIN 19267)

Разгледайте стойностите на [Таблица 4](#) pH и ORP (mV) за специфични буфери при различни температури.

Таблица 4 pH, ORP (mV) и температурни стойности

| Температура | | pH | | | | | mV |
|-------------|-----------|-------------|-------------|-------------|-------------|--------------|------------|
| °C | °F | | | | | | |
| 0 | 32 | 2.01 | 4.01 | 7.12 | 9.52 | 10.30 | — |
| 10 | 50 | 2.01 | 4.00 | 7.06 | 9.38 | 10.17 | 245 |
| 20 | 68 | 2,00 | 4.00 | 7.02 | 9.26 | 10.06 | 228 |
| 25 | 77 | 2.00 | 4.01 | 7.00 | 9.21 | 10.01 | 220 |
| 30 | 86 | 2,00 | 4.01 | 6.99 | 9.16 | 9.96 | 212 |
| 40 | 104 | 2,00 | 4.03 | 6.97 | 9.06 | 9.88 | 195 |
| 50 | 122 | 2,00 | 4.06 | 6.97 | 8.99 | 9.82 | 178 |
| 60 | 140 | 2,00 | 4.10 | 6.98 | 8.93 | 9.76 | 160 |
| 70 | 158 | 2.01 | 4.16 | 7.00 | 8.88 | — | — |
| 80 | 176 | 2.01 | 4.22 | 7.04 | 8.83 | — | — |
| 90 | 194 | 2.01 | 4.30 | 7.09 | 8.79 | — | — |

Műszaki adatok

A műszaki adatok előzetes bejelentés nélkül változhatnak.

| Jellemző | Adatok |
|---------------------------------|--|
| Méret | 35 x 20 x 11 cm |
| Tömeg | 1100 g |
| Műszerház | IP42 |
| Teljesítményfelvétel (külső) | 100–240 V, 0,4 A, 47–63 Hz |
| Műszer védelmi osztálya | II-es osztály |
| Tárolási hőmérséklet | –15 és +65 °C között |
| Üzemi hőmérséklet | 0–40 °C |
| Üzemi páratartalom | < 80% (páralecsapódás nélkül) |
| Felbontás | pH: 0.01, ORP: 1 mV, hőmérséklet: 0.1 °C |
| Mérési hiba (±1 számjegy) | pH: ≤ 0.01, ORP: ≤ 1 mV, hőmérséklet ≤ 0,2 °C |
| Megismételhetőség (±1 számjegy) | pH: ± 0.01, ORP: ± 1 mV, hőmérséklet: ± 0.1 °C |
| Csatlakozások | Kombinált vagy jelzőszonda: BNC csatlakozó (Imp. >10 ¹² Ω); referenciaelektroda: banáncsatlakozó; A.T.C., Pt1000 típusú: banán- vagy telefoncsatlakozó; mágneses keverő: RCA csatlakozó |
| Hőmérséklet-korrekción | Manuális, Pt1000 hőmérséklet-érzékelő (A.T.C.), NTC 10 kΩ-os érzékelő |
| Méréskijelzés zárólása | Folyamatos mérés, stabilitás alapján |
| Kijelző | Folyadékkristályos, háttér-megvilágításos, 128 x 64 képpont |
| Billentyűzet | PET védőkezeléssel |
| Tanúsítvány | CE |

Általános tudnivaló

Az átdolgozott kiadások a gyártó weboldalán találhatóak.

Biztonsági tudnivaló

MEGJEGYZÉS

A gyártó nem vállal felelősséget a termék nem rendeltetésszerű alkalmazásából vagy használatából eredő semmilyen kárért, beleértve de nem kizárólag a közvetlen, véletlen vagy közvetett károkat, és az érvényes jogszabályok alapján teljes mértékben elhárítja az ilyen kárigényeket. Kizárólag a felhasználó felelőssége, hogy felismerje a komoly alkalmazási kockázatokat, és megfelelő mechanizmusokat szereljen fel a folyamatok védelme érdekében a berendezés lehetséges meghibásodása esetén.

Kérjük, olvassa végig ezt a kézikönyvet a készülék kicsomagolása, beállítása vagy működtetése előtt. Szenteljen figyelmet az összes veszélyjelző és óvatosságra intő mondatra. Ennek elmulasztása a kezelő súlyos sérüléséhez vagy a berendezés megrongálódásához vezethet.

A berendezés nyújtotta védelmi funkciók működését nem szabad befolyásolni. Csak az útmutatóban előírt módon használja és telepítse a berendezést.

A veszélyekkel kapcsolatos tudnivalók alkalmazása

▲ VESZÉLY

Lehetséges vagy közvetlenül veszélyes helyzetet jelez, amely halálhoz vagy súlyos sérüléshez vezet.

▲ FIGYELMEZTETÉS

Lehetséges vagy közvetlenül veszélyes helyzetet jelez, amely halálhoz vagy súlyos sérüléshez vezethet.

▲ VIGYÁZAT

Lehetséges veszélyes helyzetet jelez, amely enyhe vagy kevésbé súlyos sérüléshez vezethet.

MEGJEGYZÉS

A készülék esetleges károsodását okozó helyzet lehetőségét jelzi. Különleges figyelmet igénylő tudnivaló.

Figyelmeztető címkék

Olvasson el a műszeren található minden felirati táblát és függő címkét. Ha nem tartja be, ami rajtuk olvasható, személyi sérülés vagy műszer rongálódás következhet be. A műszeren látható szimbólum jelentését a kézikönyv egy óvintézkedési mondattal adja meg.



Ha a készüléken ez a szimbólum látható, az a használati útmutató kezelési és/vagy biztonsági tudnivalóira utal.



Az ezzel a szimbólummal jelölt elektromos készülékek Európában nem helyezhetők háztartási vagy lakossági hulladékfeldolgozó rendszerekbe. A gyártó köteles ingyenesen átvenni a felhasználttól a régi vagy elhasznált elektromos készülékeket.

A termék áttekintése

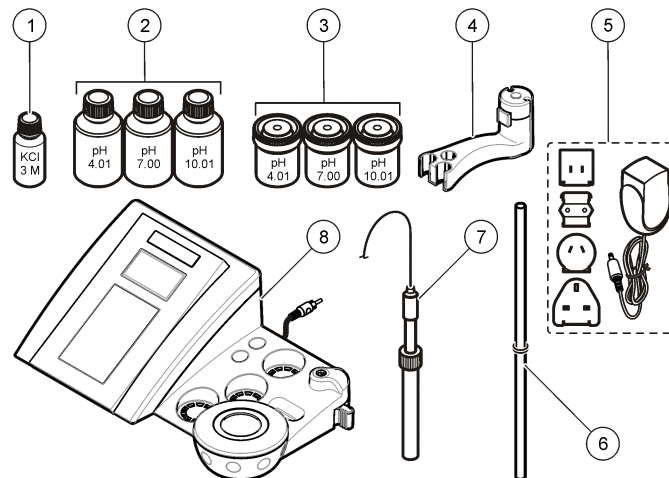
A sensION™+ műszerek megfelelő szondákkal a víz különféle paramétereinek mérésére használhatók.

A sensION™+ PH3 műszer pH, ORP (mV) vagy hőmérséklet mérésére alkalmas.

A termékhez tartozó alkatrészek

Az összes alkatrész meglétének ellenőrzéséhez lásd: **1. ábra**. Ha valamelyik tétel hiányzik vagy sérült, forduljon azonnal a gyártóhoz vagy a forgalmazóhoz.

1. ábra A műszer alkatrészei

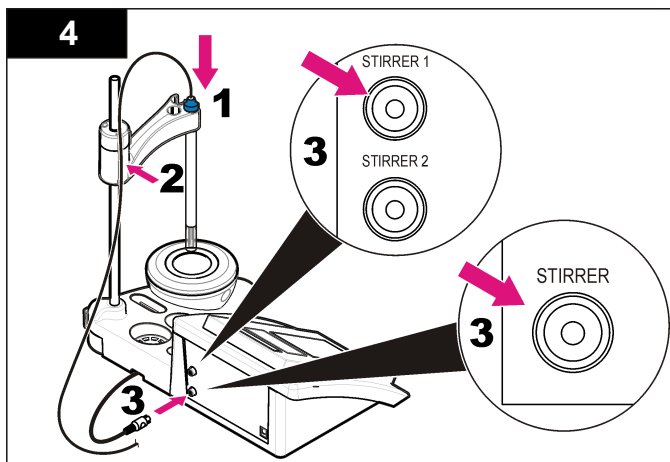
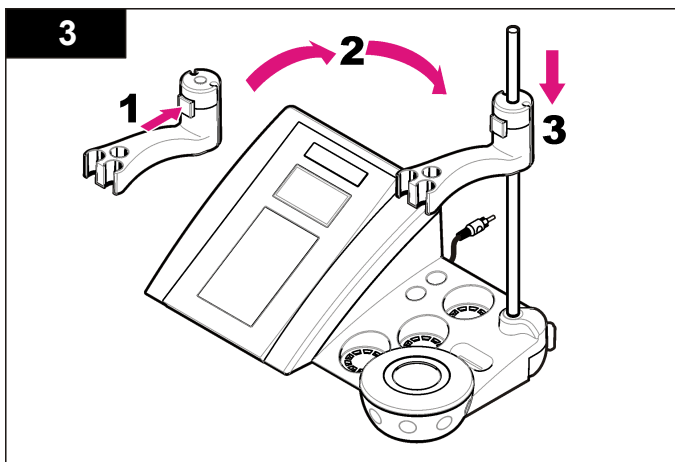
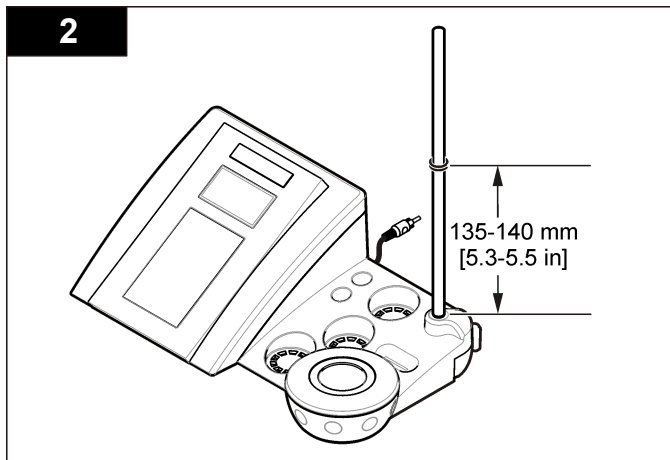
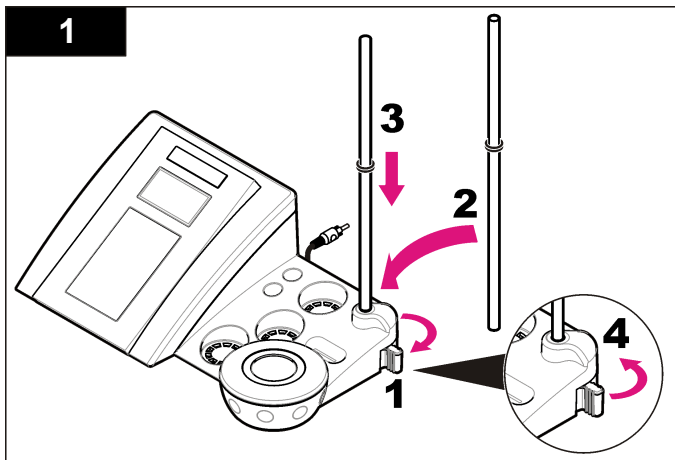


| | |
|--|------------------------------|
| 1 Elektrolit a szondához | 5 Hálózati tápegység |
| 2 Pufferoldatok (pH 4,01, pH 7,00 és pH 10,01) | 6 Rúd O-gyűrűvel |
| 3 Kalibrációs poharak (belső mágnesrúddal) | 7 Szonda (csak készletekkel) |
| 4 Szondatartó | 8 Műszer |

Beszereles

A szondatartó összeszerelése

A szondatartó összeszereléséhez és a mágneses keverő csatlakoztatásához kövesse a számozott lépéseket.



AC hálózati csatlakoztatás

⚠ VESZÉLY

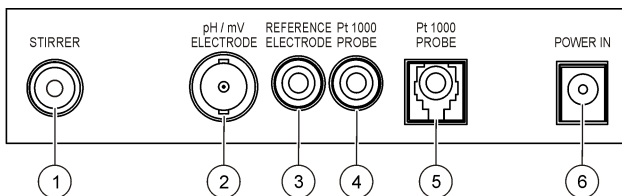


Halálos áramütés veszélye. Ha az eszközt terepen vagy esetlegesen nedves körülmények között használják, földzárlati megszakítót (GFCI/GFI) kell használni a hálózati áramforráshoz való csatlakoztatáskor.

A műszer tápellátása univerzális tápegység segítségével elektromos hálózatról biztosítható.

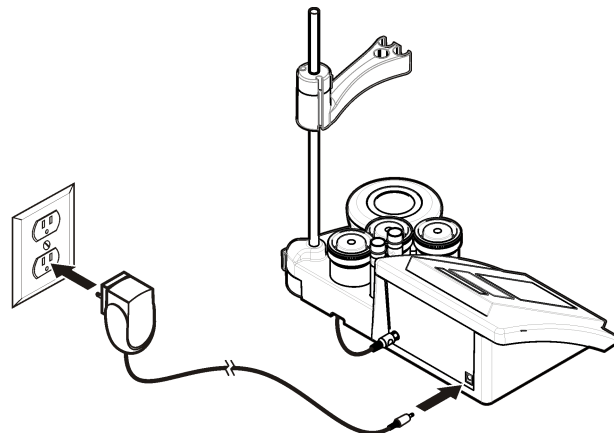
1. Válassza a hálózati aljzatnak megfelelő tápegységdugót.
2. Csatlakoztassa az univerzális tápegységet a műszerhez (2. ábra).
3. Dugja be az univerzális tápegységet a hálózati dugaszolóaljzatba (3. ábra).
4. Kapcsolja be a műszert.

2. ábra Csatlakozópanel



| | |
|--|---|
| 1 Mágneses keverő csatlakozója | 4 Hőmérséklet-érzékelő csatlakozója |
| 2 Kombinált pH-elektroda (vagy jelző) csatlakozója | 5 Független hőmérséklet-érzékelő csatlakozója |
| 3 Referenciaelektroda (elkülönített elektródák) csatlakozója | 6 Tápcsatlakozó |

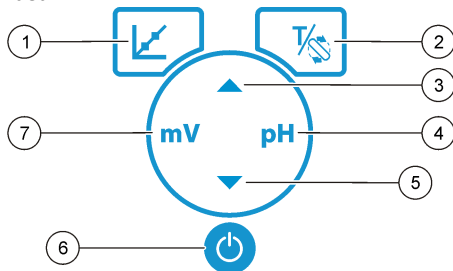
3. ábra AC hálózati csatlakoztatás



A kezelőfelület és navigálás

Felhasználói felület

Gombok leírása

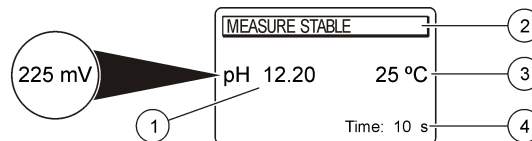


| | |
|--|--|
| 1 KALIBRÁLÁS gomb: kalibrálás indítása, kalibrálási adatok megtekintése és a kalibrálási gyakoriság módosítása | 5 LE gomb: görgetés más beállításokhoz, érték módosítása |
| 2 HŐMÉRSÉKLET és KEVERŐ gomb: a hőmérséklet mértékegységének (°C, °F) vagy a keverési sebesség módosítása | 6 BE/KI: a műszer be- és kikapcsolása |
| 3 FEL gomb: görgetés más beállításokhoz, érték módosítása | 7 mV-mérés gomb: ORP (mV) mérés indítása |
| 4 pH-mérés gomb: pH-mérés indítása | |

A kijelző ismertetése

A műszer kijelzője megjeleníti a koncentrációt, a mértékegységeket, a hőmérsékletet, a kalibrálási állapotot, a dátumot és az időpontot.

4. ábra Egyképernyős kijelzés



| | |
|--|-----------------------------------|
| 1 Mértékegység és érték (pH, ORP (mV)) | 3 Minta hőmérséklete (°C vagy °F) |
| 2 Mérési üzemmód vagy időpont és dátum | 4 Vizuális mérési időzítő |

Navigálás

A szonda kalibrálásához használja a (kalibrálás) gombot. Minta mérésének végrehajtásához használja a paraméter gombot. Használja a HŐMÉRSÉKLET és KEVERŐ gombot a hőmérséklet mértékegységének (°C, °F) vagy a keverési sebesség módosításához. A nyílombokkal másik beállításra léphet, vagy értéket módosíthat. Ügyeljen arra, hogy a feladatok alatt figyelje a kijelzőt, mivel a képernyők gyorsan változhatnak. Ehhez nézze meg az egyes feladatokhoz tartozó utasításokat.

Beindítás

A műszer be- és kikapcsolása

MEGJEGYZÉS

A műszer bekapcsolása előtt ügyeljen arra, hogy a szonda csatlakoztatva legyen.

A műszer be- vagy kikapcsolásához nyomja meg a gombot. Ha a műszer nem kapcsol be, ellenőrizze a tápegység megfelelő csatlakoztatását a hálózati aljzatba.

A nyelv megváltoztatása


A kijelző nyelve a műszer első bekapcsolásakor adható meg.

A ▲ vagy a ▼ gombbal jelölje ki a nyelvet a listán. A műszer 3 másodperc után automatikusan visszatér a mérési képernyőre.

Megjegyzés: ▲ A nyelv főmenüről való megváltoztatásához nyomja meg a gombot.

Normál üzemeltetés




Kalibrálás


| ▲ VESZÉLY | |
|---|---|
|  | Kémiai kitettség veszélye. Kövesse a laboratóriumi biztonsági eljárásokat, és viselje a kezelt vegyszereknek megfelelő összes személyi védőfelszerelést. A biztonsági protokollokkal kapcsolatban lásd az aktuális biztonsági adatlapokat (MSDS/SDS). |

Kalibrálási eljárás

Ez az eljárás általánosan használható a folyékony kalibrációs oldatokhoz. A további tudnivalókat lásd az egyes szondákhoz mellékelt dokumentációban.


Megjegyzés: Az oldatokat keverni kell a kalibrálás alatt. A keverési beállításokról a további tudnivalókat lásd: [A keverési beállítások módosítása](#) oldalon 166.

1. Töltse a puffereket vagy kalibrációs oldatokat a felcímkézett kalibrációs főzőpoharakba.
2. A főmenün nyomja meg a  gombot a pH- vagy az mV-kalibrálás kijelöléséhez.
3. Öblítse le a szondát deionizált vízzel, majd helyezze a szondát az első kalibrációs főzőpohárba. Ügyeljen arra, hogy ne legyenek légbuborékok a membránon.
4. Az első kalibrációs oldat méréséhez nyomja meg a  gombot. A következő kalibrációs oldat jelenik meg.
5. Öblítse le a szondát deionizált vízzel, majd helyezze a szondát a második kalibrációs főzőpohárba. Ügyeljen arra, hogy ne legyenek légbuborékok a membránon.
6. A második kalibrációs oldat méréséhez nyomja meg a  gombot. A következő kalibrációs oldat jelenik meg.

7. Öblítse le a szondát deionizált vízzel, majd helyezze a szondát a harmadik kalibrációs főzőpohárba. Ügyeljen arra, hogy ne legyenek légbuborékok a membránon.
8. A harmadik kalibrációs oldat méréséhez nyomja meg a  gombot. Ha a kalibrálás megfelelő, a kijelző röviden a 3rd Buffer OK (3. puffer OK) feliratot jeleníti meg, majd visszatér főmenübe.

A kalibrálási adatok megtekintése


A legutóbbi kalibrálás adatai megjeleníthetők

1. A főmenüben nyomja meg a következőt: .
2. A kalibrálási adatok használatához használja a ▼ lehetőséget. A műszer 3 másodperc után automatikusan visszatér a mérési képernyőre.

Kalibrálási emlékeztető beállítása

A kalibrálási emlékeztető 0 és 23 óra vagy 1 és 7 nap közötti értékre állítható be (alapérték: 1 nap). A kijelzőn a következő kalibrációs hátralévő idő jelenik meg.

Megjegyzés: A 0 nap választásakor a kalibrálási emlékeztető ki lesz kapcsolva.

1. A főmenün nyomja meg a , majd a ▼ gombot addig, míg a Cal. frequency (Kal. gyakorisága) elem meg nem jelenik
2. A ▲ vagy a ▼ gombbal módosítsa az értéket. A műszer 3 másodperc után automatikusan visszatér a mérési képernyőre.

Mintamérések

Az egyes szondákhoz eltérő előkészületet és módszerek tartoznak a mintamérések elvégzésekor. Lépésenkénti útmutatást az egyes szondákhoz mellékelt tájékoztatók adnak.

Megjegyzés: Az oldatokat keverni kell a mérés alatt. A keverési beállításokról a további tudnivalókat lásd: [A keverési beállítások módosítása](#) oldalon 166.

Megjegyzés: A hőmérséklet nem jelenik meg ORP (mV) mérésnél, ha a hőmérsékletszonda nincs csatlakoztatva.

Egyszerű mérés elvégzéséhez nyomja meg a pH vagy az ORP (mV) gombot. A mérések alatt a paraméter villog, és az időzítő a stabilizálási

időt mutatja. A mérési paraméter váltásához (ha ez lehetséges), tartsa lenyomva a pH vagy az ORP (mV) gombot.

A minta folyamatos méréséhez nyomja meg a pH vagy az ORP (mV) gombot a mérés elindításához, majd nyomja meg ismét a pH vagy az ORP (mV) gombot a stabilizálás során. A paraméter villog: ezzel jelzi a folyamatos mérési üzemmódot.

Speciális üzemeltetés

A dátum és az idő változtatása

A dátum és a pontos idő a Date and Time (Dátum és Idő) menü segítségével változtatható meg.


1. A ▼ gombbal lépjen a Date and Time (Dátum és Idő) menübe. A dátum és idő formátuma: nn-hh-éééé 24h. A módosítandó attribútum automatikusan kiemelt lesz, és a kiemelés a következő attribútumra kerül, ha nem nyomja meg a ▲ vagy a ▼ gombot.
2. Attribútum módosításához nyomja meg a ▲ vagy a ▼ gombot, amikor a kiemelt attribútum van kijelölve. Az aktuális dátum és idő megjelenik a kijelzőn.

A kijelző kontrasztjának beállítása

1. Nyomja meg egyszerre a ▲ és a ▼ gombot a Display contrast (Kijelző kontrasztja) menü megnyitásához.
2. A ▲ vagy a ▼ gombbal állítsa be a kijelző kontrasztját. A műszer 3 másodperc után automatikusan visszatér a mérési képernyőre.



A keverési beállítások módosítása

A keverési sebesség a kalibrálás és a mérés alatt módosítható.


1. Kalibrálás vagy mérés alatt a Stirring (Keverés) menü megnyitásához nyomja meg a  gombot.
2. A ▲ vagy a ▼ gombbal módosítsa a keverési sebességet (%).

A hőmérséklet mértékegységének módosítása

A hőmérséklet mértékegysége a Celsius vagy a Fahrenheit értékre állítható be.

1. Amikor a főképernyő látható, nyomja meg a  gombot.
2. A  gombbal válasszon a Celsius és a Fahrenheit beállítás közül.

Karbantartás

| ▲ VIGYÁZAT | |
|---|--|
|  | Többszörös veszély. A dokumentumnak az ebben a fejezetében ismertetett feladatokat csak képzett szakemberek végezhetik el. |
| MEGJEGYZÉS | |
| Ne szerelje szét a műszert karbantartás céljából. Ha a belső alkatrészek tisztítása vagy javítása válik szükségessé, forduljon a gyártóhoz. | |

A készülék tisztítása

| MEGJEGYZÉS |
|---|
| A készülék, beleértve a kijelző és a tartozékok tisztításához soha ne használjon tisztítószer, például terpentint, acetont vagy hasonló termékeket. |

Tisztítsa meg a készülék külsejét enyhe szappanos oldatba mártott ruhával.

A szonda tisztítása

Szükség szerint tisztítsa meg a szondát. A tisztításról a további tudnivalókat lásd: [Hibaelhárítás](#) oldalon 169. A szonda karbantartásáról a tudnivalókat a szonda dokumentációjában találja.

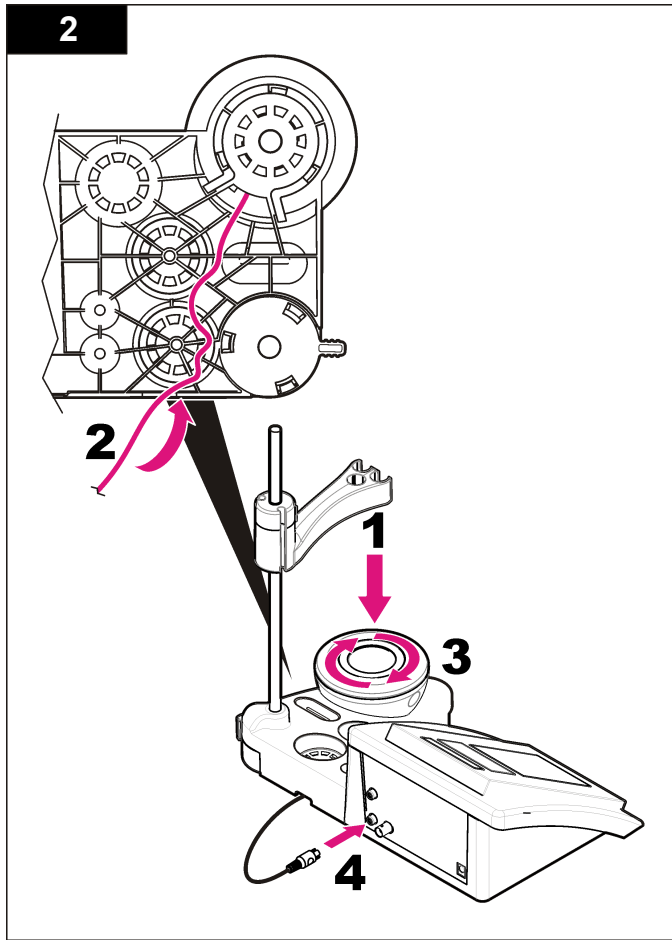
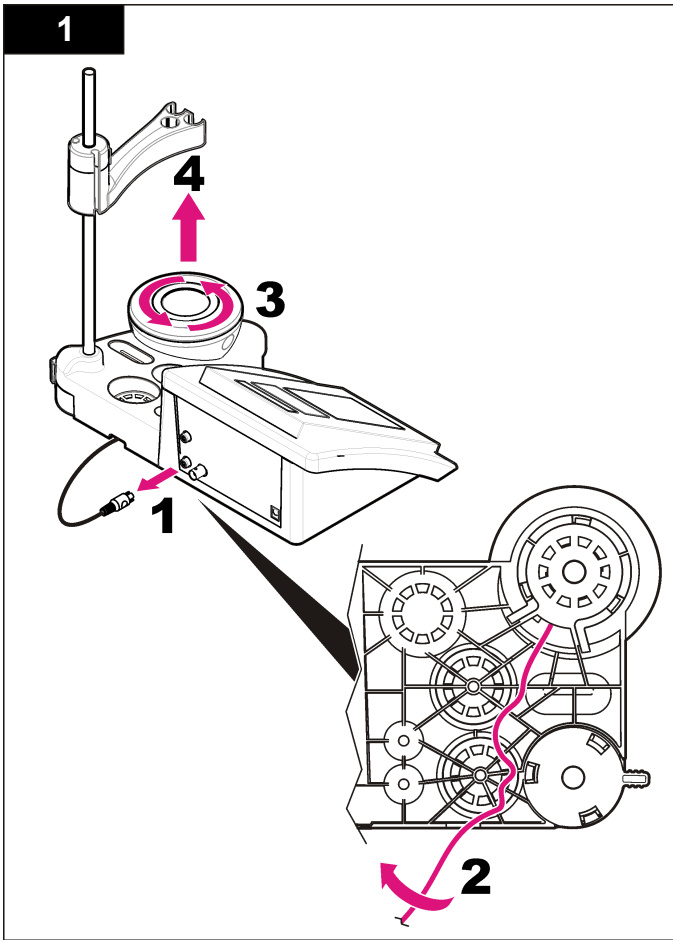
A pH-szonda szennyeződéseihez használjon megfelelő tisztítószer, ezek felsorolását lásd: [1. táblázat](#).

1. táblázat Tisztítószeresek pH-szondához

| Szennyeződés | Tisztítószer |
|--------------|-------------------------|
| Fehérjék | Pepszines tisztítóoldat |
| Zsír, olaj | Elektrodatisztító oldat |
| Vízke | 0,1 N HCl oldat |

A mágneses keverő cseréje




Ha a mágneses keverő nem indul, cserélje ki a számozott lépések szerint.




Hibaelhárítás

Lásd a következő táblázatot a gyakori hibaüzenetekkel és tünetekkel, a lehetséges okokkal és a korrekció lépéseivel.


2. táblázat Kalibrálási figyelmeztetések és hibák

| Hiba/figyelmeztetés | Megoldás |
|--|--|
| Asymmetry (Aszimmetria) > 58 mV | A meredekség kívül esik a határértéken (elfogadható értékek: ± 58 mV). Ismétlés:  . Csatlakoztasson új szondát. |
| Buffer or electrode in poor conditions (Rossz állapotú puffer vagy elektróda). | Ismétlés:  . Ellenőrizze a szondát: tisztítsa meg a szondát (a további tudnivalókat lásd: A szonda tisztítása oldalon 166); ügyeljen arra, hogy ne legyenek légbuborékok a membránon. Rázza le a szondát mint egy hőmérőt; csatlakoztasson másik szondát annak vizsgálatához, hogy a szonda vagy a műszer hibás-e. |
| Sens. (Érz.) (a) < 70% | |
| BUFFER NOT RECOGNIZED (ISMERETLEN PUFFER) | Ellenőrizze a pufferoldatot: ügyeljen arra, hogy az alkalmazott puffer megfeleljen a konfigurációban megadottnak; ellenőrizze a hőmérséklet előírását a konfigurációban; használjon új pufferoldatot. |
| UNSTABLE READING (NEM STABILIZÁLÓDÓ MÉRT ÉRTÉK) Time (Idő) t > 100 s | Ismétlés:  . Ellenőrizze a szondát: tisztítsa meg a szondát (a további tudnivalókat lásd: A szonda tisztítása oldalon 166); ügyeljen arra, hogy ne legyenek légbuborékok a membránon. Rázza le a szondát mint egy hőmérőt; csatlakoztasson másik szondát annak vizsgálatához, hogy a szonda vagy a műszer hibás-e. Ügyeljen arra, hogy a membrán és a diafragma megfelelően belemérüljön a mintába. |

2. táblázat Kalibrálási figyelmeztetések és hibák (folytatás)

| Hiba/figyelmeztetés | Megoldás |
|--|---|
| Electrode in poor conditions (Rossz állapotú elektróda). | Ellenőrizze a szondát: tisztítsa meg a szondát (a további tudnivalókat lásd: A szonda tisztítása oldalon 166); ügyeljen arra, hogy ne legyenek légbuborékok a membránon. Rázza le a szondát mint egy hőmérőt; csatlakoztasson másik szondát annak vizsgálatához, hogy a szonda vagy a műszer hibás-e. |
| Check the electrode (Ellenőrizze az elektródát) | |
| SAME BUFFERS (AZONOS PUFFEREK) | Ismétlés:  . Ellenőrizze a szondát: tisztítsa meg a szondát (a további tudnivalókat lásd: A szonda tisztítása oldalon 166); ügyeljen arra, hogy ne legyenek légbuborékok a membránon. Rázza le a szondát mint egy hőmérőt; csatlakoztasson másik szondát annak vizsgálatához, hogy a szonda vagy a műszer hibás-e. Ellenőrizze a pufferoldatot: használjon új pufferoldatot. |

3. táblázat Mérési figyelmeztetések és hibák

| Hiba/figyelmeztetés | Megoldás |
|--|---|
| pH 12.78 19°C | Ismétlés:  . |
| pH out of range (pH határértéken kívüli) | Ellenőrizze a szondát: tisztítsa meg a szondát (a további tudnivalókat lásd: A szonda tisztítása oldalon 166); ügyeljen arra, hogy ne legyenek légbuborékok a membránon. Rázza le a szondát mint egy hőmérőt; csatlakoztasson másik szondát annak vizsgálatához, hogy a szonda vagy a műszer hibás-e. |

3. táblázat Mérési figyelmeztetések és hibák (folytatás)

| Hiba/figyelmeztetés | Megoldás |
|---|---|
| Temp out of range (Hőm. határértéken kívüli) °C | Ellenőrizze a hőmérséklet-érzékelőt. Csatlakoztasson másik szondát annak vizsgálatához, hogy a szonda vagy a műszer hibás-e. |
| Time (Idő) > 150 s | Ügyeljen arra, hogy a membrán és a diafragma megfelelően belemerüljön a mintába. Ellenőrizze a hőmérsékletet. Ellenőrizze a szondát: tisztítsa meg a szondát (a további tudnivalókat lásd: A szonda tisztítása oldalon 166); ügyeljen arra, hogy ne legyenek légbuborékok a membránon. Rázza le a szondát mint egy hőmérőt; csatlakoztasson másik szondát annak vizsgálatához, hogy a szonda vagy a műszer hibás-e. |

Cserealkatrészek és tartozékok

Megjegyzés: A termék- és cikkszám régióként eltérhet. A kapcsolattartási információkért forduljon a viszonteladóhoz vagy látogasson el a cég weboldalára.

Cserealkatrészek

| Leírás | Cikksz. |
|--|-----------------|
| sensION+ PH3 lab. pH-mérő tartozékokkal, szonda nélkül | LPV2000.98.0002 |
| sensION+ PH31 lab. pH-mérő, GLP, tartozékokkal, szonda nélkül | LPV2100.98.0002 |
| sensION+ MM340 lab. pH- és ion-mérő, GLP, 2 csatorna, tartozékokkal, szonda nélkül | LPV2200.98.0002 |
| sensION+ EC7 lab. vezetőképesség-mérő, tartozékokkal, szonda nélkül | LPV3010.98.0002 |
| sensION+ EC71 lab. vezetőképesség-mérő, GLP, tartozékokkal, szonda nélkül | LPV3110.98.0002 |
| sensION+ MM374, 2 csatornás lab. műszer, GLP, tartozékokkal, szondák nélkül | LPV4110.98.0002 |

Fogyóeszközök

| Megnevezés | Cikksz. |
|----------------------------------|------------|
| pH 4,01 pufferoldat, 125 ml | LZW9460.99 |
| pH 7,00 pufferoldat, 125 ml | LZW9461.98 |
| pH 10,01 pufferoldat, 125 ml | LZW9470.99 |
| pH 4,01 pufferoldat, 250 ml | LZW9463.99 |
| pH 7,00 pufferoldat, 250 ml | LZW9464.98 |
| pH 10,01 pufferoldat, 250 ml | LZW9471.99 |
| pH 4,01 pufferoldat, 1000 ml | LZW9466.99 |
| pH 7,00 pufferoldat, 1000 ml | LZW9467.98 |
| pH 10,01 pufferoldat, 1000 ml | LZW9472.99 |
| Elektrolitoldat (KCl 3M), 125 ml | LZW9510.99 |
| Elektrolitoldat (KCl 3M), 250 ml | LZW9500.99 |
| Elektrolitoldat (KCl 3M), 50 ml | LZW9509.99 |
| Elektrolitoldat (0,1 M), 125 ml | LZW9901.99 |
| Enzimoldat | 2964349 |
| Pepszines tisztítóoldat | 2964349 |
| Elektródatisztító oldat | 2965249 |
| 0,1 N HCl oldat | 1481253 |

Tartozékok

| Leírás | Cikksz. |
|---|------------|
| Mágneses keverő érzékelőtartóval, asztali sensION+ MM műszerekhez | LZW9319.99 |
| 3x50 ml-es címkézett pohár asztali pH kalibrálásához | LZW9110.98 |
| Háromérmékelős tartó asztali sensION+ műszerekhez | LZW9321.99 |

Tartozékok (folytatás)

| Leírás | Cikksz. |
|---|------------|
| Tartó és bilincs három érzékelőhöz | LZW9155.99 |
| Tűzálló üvegkamra folyamatos mérésekhez | LZW9118.99 |
| PP védőeszköz, elektróda tárolása | LZW9161.99 |

Szabványoldatok

Technikai pufferoldatok (DIN 19267)

A specifikus pufferek pH és ORP (mV) értékét különböző hőmérsékleteken lásd itt: [4. táblázat](#).

4. táblázat pH, ORP (mV) és hőmérsékletértékek

| Hőmérséklet | | pH | | | | | mV |
|-------------|-----------|-------------|-------------|-------------|-------------|--------------|------------|
| °C | °F | | | | | | |
| 0 | 32 | 2,01 | 4,01 | 7,12 | 9,52 | 10,30 | — |
| 10 | 50 | 2,01 | 4,00 | 7,06 | 9,38 | 10,17 | 245 |
| 20 | 68 | 2,00 | 4,00 | 7,02 | 9,26 | 10,06 | 228 |
| 25 | 77 | 2,00 | 4,01 | 7,00 | 9,21 | 10,01 | 220 |
| 30 | 86 | 2,00 | 4,01 | 6,99 | 9,16 | 9,96 | 212 |
| 40 | 104 | 2,00 | 4,03 | 6,97 | 9,06 | 9,88 | 195 |
| 50 | 122 | 2,00 | 4,06 | 6,97 | 8,99 | 9,82 | 178 |
| 60 | 140 | 2,00 | 4,10 | 6,98 | 8,93 | 9,76 | 160 |
| 70 | 158 | 2,01 | 4,16 | 7,00 | 8,88 | — | — |
| 80 | 176 | 2,01 | 4,22 | 7,04 | 8,83 | — | — |
| 90 | 194 | 2,01 | 4,30 | 7,09 | 8,79 | — | — |

Caracteristici tehnice

Specificațiile pot face obiectul unor schimbări fără notificare prealabilă.

| Caracteristică tehnică | Detalii |
|---|---|
| Dimensiunile | 35 x 20 x 11 cm (13,78 x 7,87 x 4,33") |
| Masă | 1100 g (2,43 lb) |
| Carcasa aparatului de măsură | IP42 |
| Cerințe de alimentare (externă) | 100–240 V, 0,4 A, 47-63 Hz |
| Clasa de protecție a aparatului de măsură | Clasa II |
| Temperatură de depozitare | -15 - +65 °C (5 - +149 °F) |
| Temperatură de funcționare | 0 până la 40 °C (41 până la 104 °F) |
| Umiditatea de lucru | < 80% (necondensantă) |
| Rezolvare | pH: 0.01, ORP: 1 mV, temperatură: 0,1 °C (0,18 °F) |
| Eroare de măsurare (± 1 cifră) | pH: ≤ 0.01, ORP: ≤ 1 mV, temperatură: ≤ 0,2 °C (≤ 0,36 °F) |
| Repetabilitate (± 1 cifră) | pH: ± 0.01, ORP: ± 1 mV, temperatură: ± 0,1 °C (± 0,18 °F) |
| Conexiuni | Sondă combinată sau indicator: conector BNC (Imp. >10 ¹² Ω); Electrode de referință: conector tip banană; A.T.C. tip Pt 1000: conector tip banană sau telefonic; agitator magnetic: conector RCA |
| Corecția de temperatură | Manual, sondă de temperatură Pt 1000 (A.T.C.), sondă NTC 10 kΩ |
| Blocarea afișării măsurării | Măsurare continuă, în funcție de stabilitate |
| Afișajul | Cristale lichide, iluminare din spate, 128 x 64 puncte |

| Caracteristică tehnică | Detalii |
|------------------------|-------------------------------|
| Tastatura | PET cu tratament de protecție |
| Certificare | CE |

Informații generale

Edițiile revizuite pot fi găsite pe site-ul web al producătorului.

Informații privind siguranța

NOTA

Producătorul nu este responsabil pentru daunele cauzate de utilizarea incorectă a acestui produs, inclusiv și fără a se limita la daunele directe, accidentale sau pe cale de consecință și neagă responsabilitatea pentru astfel de daune în măsura maximă permisă de lege. Utilizatorul este unicul responsabil pentru identificarea riscurilor critice și pentru instalarea de mecanisme corespunzătoare pentru protejarea proceselor în cazul unei posibile defectări a echipamentului.

Citiți în întregime manualul înainte de a despacheta, configura și utiliza aparatul. Respectați toate atenționările de pericol și avertismentele. Nerespectarea acestei recomandări poate duce la vătămări serioase ale operatorului sau la deteriorarea echipamentului.

Verificați dacă protecția cu care este prevăzută aparatul nu este defectă. Nu utilizați sau nu instalați aparatul în niciun alt mod decât cel specificat în prezentul manual.

Informații despre utilizarea produselor periculoase

▲ PERICOL

Indică o situație riscantă posibilă sau iminentă care, dacă nu este evitată, va avea ca rezultat moartea sau rănirea.

▲ AVERTISMENT

Indică o situație periculoasă în mod potențial sau iminent care, dacă nu este evitată, poate conduce la deces sau la o vătămare corporală gravă.

⚠ ATENȚIE



Indică o situație periculoasă în mod potențial sau iminent care poate conduce la o vătămare corporală minoră sau moderată.

NOTA

Indică o situație care, dacă nu este evitată, poate provoca defectarea aparatului. Informații care necesită o accentuare deosebită.

Etichete de avertizare

Citiți toate etichetele și avertismentele cu care este prevăzut instrumentul. În caz de nerespectare se pot produce vătămări personale sau avarieri ale instrumentului. Toate simbolurile de pe instrument sunt menționate în manual cu câte o afirmație de avertizare.

| | |
|---|--|
|  | Acest simbol, dacă este notat pe instrument, se regăsește în manualul de instrucțiuni referitor la funcționare și/sau siguranță. |
|  | Echipamentele electrice inscripționate cu acest simbol nu pot fi eliminate în sistemele publice europene de deșeuri. Returnați producătorului echipamentele vechi sau la sfârșitul duratei de viață în vederea eliminării, fără niciun cost pentru utilizator. |

Prezentare generală a produsului

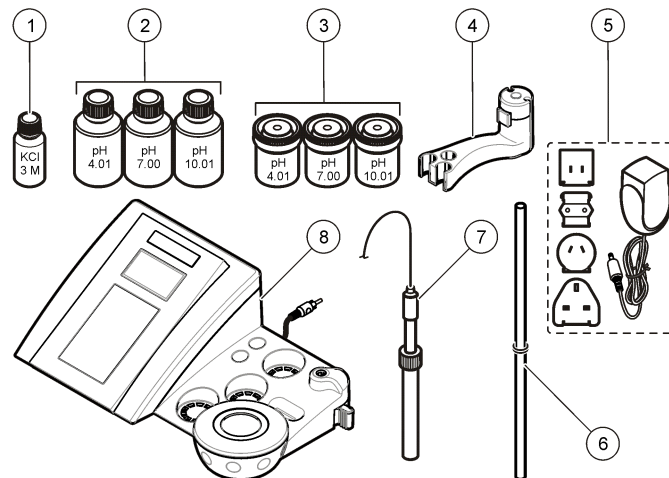
Aparatele de măsură sensION+ sunt utilizate cu sonde pentru măsurarea mai multor parametri din apă.

Aparatul de măsură sensION™+ PH3 măsoară pH, ORP (mV) sau temperatura.

Componentele produsului

Consultați **Figura 1** pentru a asigura că toate componentele au fost primite. Dacă oricare dintre elementele componente lipsește sau este avariata, contactați imediat fie producătorul, fie reprezentanța comercială a acestuia.

Figura 1 Componentele aparatului de măsură

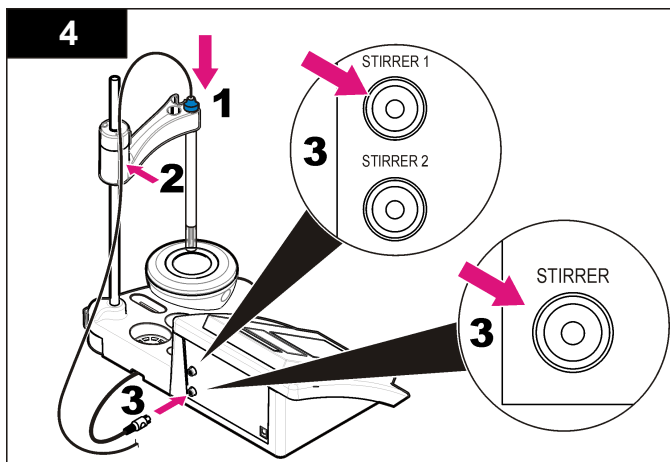
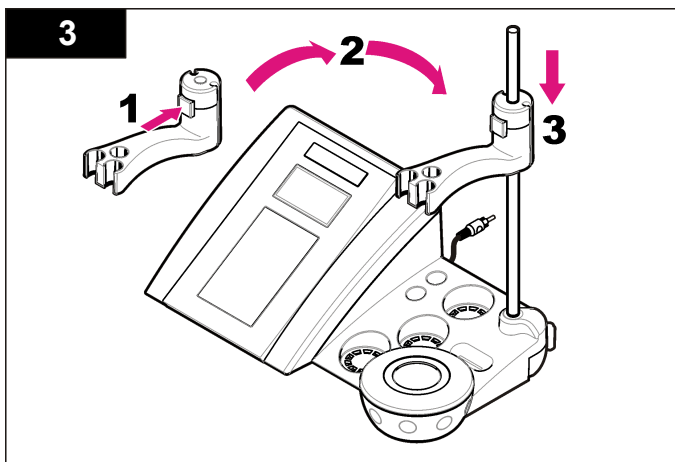
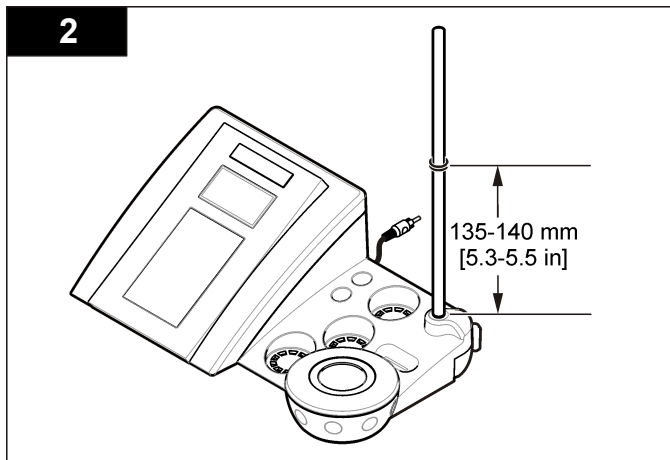
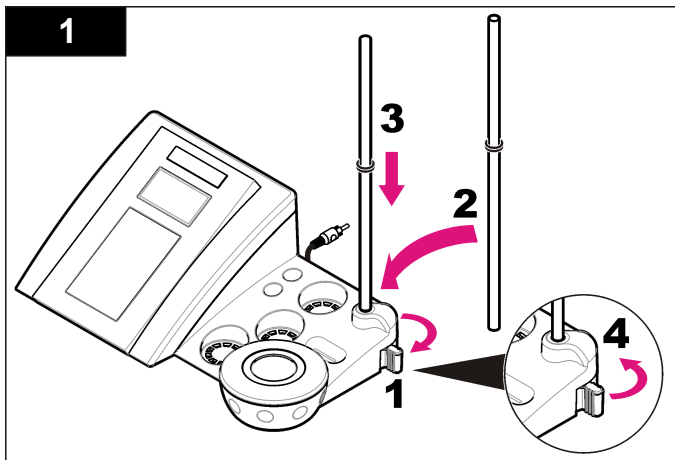


| | |
|--|-----------------------------------|
| 1 Electrolit pentru sondă | 5 Alimentarea electrică |
| 2 Soluții tampon (pH 4,01, pH 7,00 și pH 10,01) | 6 Tijă cu garnitură inelară |
| 3 Separatoare de calibrare (cu bară magnetică în interior) | 7 Sondă (inclusă numai în seturi) |
| 4 Suport de sondă | 8 Aparatul de măsură |


Instalarea

Montați suportul sondei.

Urmați pașii numerotați pentru a monta suportul sondei și pentru a conecta agitatorul magnetic.



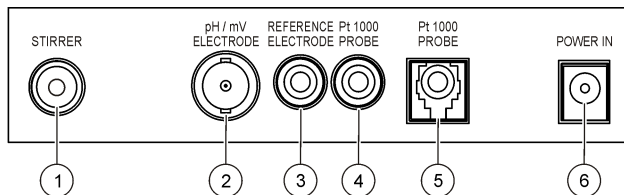
Conectarea la o sursă de curent alternativ

| ⚠ PERICOL | |
|---|--|
|  | Pericol de electrocutare. Dacă acest echipament este utilizat în aer liber sau în locații cu potențial de umiditate, trebuie utilizat un dispozitiv întrerupere circuit defecțiune masă (GFCI/GFI) pentru conectarea echipamentului la sursa de alimentare principală. |

Aparatul de măsură poate fi alimentat cu curent alternativ cu ajutorul unui adaptor de alimentare universal.

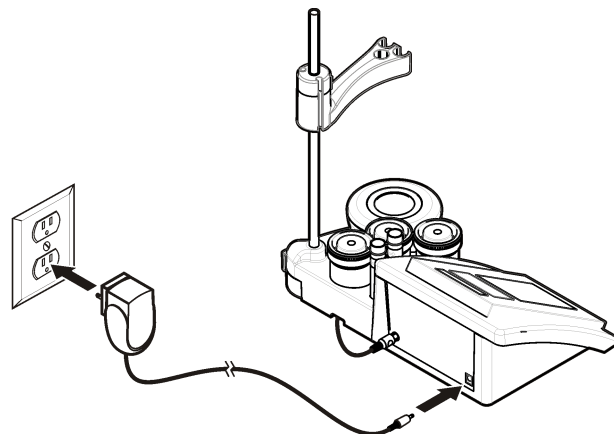
1. Selectați mufa de adaptor corectă pentru priză din kitul de adaptor.
2. Conectați adaptorul de alimentare universal la aparatul de măsură (Figura 2).
3. Conectați adaptorul de alimentare universal la o priză de curent alternativ (Figura 3).
4. Porniți aparatul de măsură.

Figura 2 Panou conectori



| | |
|---|---|
| 1 Conector agitator magnetic | 4 Conector sondă de temperatură |
| 2 Conector electrod pH combinat (sau indicator) | 5 Conector separat sondă de temperatură |
| 3 Conector electrod de referință (electrozi separați) | 6 Alimentarea electrică |

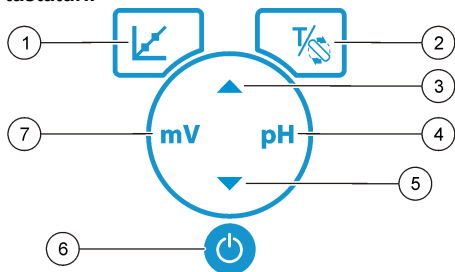
Figura 3 Conexiune electrică de curent alternativ



Interfața pentru utilizator și navigarea

Interfața cu utilizatorul

Descrierea tastaturii

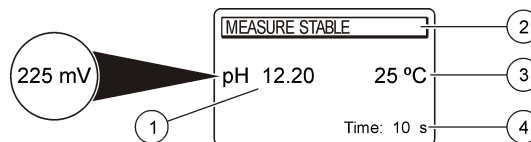


| | |
|---|---|
| 1 Tasta CALIBRARE: începeți o calibrare, vizualizați datele de calibrare și modificați frecvența de calibrare | 5 Tastă JOS: derulați la alte opțiuni, modificați o valoare |
| 2 Tastele TEMPERATURĂ și AGITATOR: modificați temperatura (°C, °F) sau viteza de agitare | 6 PORNIT/OPRIT: porniți și opriți aparatul de măsură |
| 3 Tastă SUS: derulați la alte opțiuni, modificați o valoare | 7 Tastă de măsurare mV: începeți o măsurare ORP (mV) |
| 4 Tastă de măsurare pH: începeți o măsurare pH | |

Descrierea afișajului

Ecranul aparatului de măsură afișează concentrația, unitățile, temperatura, starea calibrării, data și ora.

Figura 4 Afișaj cu un singur ecran



| | |
|--|----------------------------------|
| 1 Unitatea de măsură și valoare (pH, ORP (mV)) | 3 Temperatura probei (sau °F) |
| 2 Mod de măsurare sau ora și data | 4 Cronometru de măsurare vizuală |

Navigare

Utilizați tasta de calibrare pentru a calibra sonda. Utilizați tasta parametru pentru a efectua o măsurare a probei. Utilizați tasta TEMPERATURĂ și AGITATOR pentru a modifica unitatea de temperatură (°C, °F) sau viteza de agitare. Utilizați tastele săgeată ▲ ▼ pentru a derula la celelalte opțiuni sau pentru a modifica o valoare. Asigurați-vă că urmăriți afișajul în timpul sarcinilor, deoarece ecranele se schimbă rapid. Consultați fiecare sarcină pentru instrucțiuni specifice.

Pornirea sistemului

Porniți și opriți turbidimetru

NOTĂ

Asigurați-vă că sonda este conectată la aparatul de măsură înainte de pornirea aparatului de măsură.

Apăsați pentru a porni sau a opri aparatul de măsură. Dacă aparatul de măsură nu pornește, asigurați-vă că alimentarea CA este conectată corect la o priză electrică.

Modificarea limbii


Limba afișajului este selectată când turbidimetru este pornit pentru prima dată.

Utilizați ▲ sau ▼ pentru a selecta o limbă din listă. Aparatul de măsură revine automat la ecranul de măsurare după 3 secunde.

Notă: ▲ Pentru a modifica limba din meniul principal, apăsați .

Operațiune standard




Calibrarea


| ▲ PERICOL | |
|---|--|
|  | Pericol de expunere chimică. Respectați procedurile de siguranță în laborator și purtați toate echipamentele de protecție personală adecvate pentru substanțele chimice care sunt manipulate. Consultați fișele tehnice de securitate (MSDS/SDS) pentru protocoalele de siguranță. |

Procedură de calibrare

Această procedură este pentru uz general cu soluții de calibrare lichide. Consultați documentele care sunt incluse cu fiecare sondă pentru informații suplimentare.


Notă: Soluțiile trebuie agitate în timpul calibrării. Pentru informații suplimentare despre setările de agitare, consultați [Modificarea setărilor de agitare de la pagina 178](#).

1. Turnați soluțiile tampon sau soluțiile de calibrare în separatoarele de calibrare etichetate.
2. Din meniul principal apăsați  pentru a selecta calibrarea pH sau mV.
3. Clătiți sonda cu apă deionizată și introduceți sonda în primul pahar de calibrare. Asigurați-vă că nu există bule de aer în membrană.
4. Apăsați  pentru a măsura prima soluție de calibrare. Este afișată următoarea soluție de calibrare.
5. Clătiți sonda cu apă deionizată și introduceți sonda în al doilea pahar de calibrare. Asigurați-vă că nu există bule de aer în membrană.
6. Apăsați  pentru a măsura a doua soluție de calibrare. Este afișată următoarea soluție de calibrare.

7. Clătiți sonda cu apă deionizată și introduceți sonda în al treilea pahar de calibrare. Asigurați-vă că nu există bule de aer în membrană.
8. Apăsați  pentru a măsura a treia soluție de calibrare. Când calibrarea este reușită, pe afișat apare scurt 3D Buffer OK (Soluție tampon 3D reușită) și apoi revine la meniul principal.

Vizualizați datele de calibrare


Datele de la cea mai recentă calibrare pot fi afișate.

1. Din meniul principal, apăsați  .
2. Utilizați ▼ pentru a vizualiza ultimele date de calibrare. Aparatul de măsură revine automat la ecranul de măsurare după 3 secunde.

Setați notificarea de calibrare

Notificarea de calibrare poate fi setată între 1 și 23 de ore sau 1-7 zile (implicit 1 zi). Pe afișaj apare timpul rămas până la calibrarea nouă.

Notă: Când este selectat 0 zile, notificarea de calibrare este oprită.

1. Din meniul principal apăsați  și apoi apăsați ▼ până când ecranul afișează Cal. frequency (Frecvență calibrare).
2. Utilizați ▲ sau ▼ pentru a modifica valoarea. Aparatul de măsură revine automat la ecranul de măsurare după 3 secunde.

Măsurătorile probelor

Fiecare sondă are pași specifici de pregătire și proceduri pentru efectuarea măsurărilor probelor. Pentru instrucțiuni pas cu pas, consultați documentele incluse împreună cu sonda.

Notă: Soluțiile trebuie agitate în timpul măsurării. Pentru informații suplimentare despre setările de agitare, consultați [Modificarea setărilor de agitare de la pagina 178](#).

Notă: Temperatura nu este afișată în timpul unei măsurători ORP (mV) dacă sonda de temperatură nu este conectată.

Apăsați pH sau ORP (mV) pentru a efectua o măsurare a probei. În timpul măsurărilor, parametrul luminează intermitent și cronometrul afișează durata de stabilizare. Pentru a modifica parametrul de măsurare (dacă este posibil), apăsați continuu pH sau ORP (mV).

Pentru a măsura continuu proba, apăsați pH sau ORP (mV) pentru a porni o măsurătoare și apăsați din nou pH sau ORP (mV) în timpul stabilizării. Parametrul luminează clipește pentru a indica modul de măsurare continuă.

Operațiune avansată

Schimbarea datei și a orei

Data și ora pot fi schimbate din meniul Date and Time (Dată și oră).


1. Utilizați ▼ pentru a intra în meniul Date and Time (Dată și oră).
Formatul datei și a orei: zz-ll-aaaa 24 h.
Atributul care trebuie schimbat va fi evidențiat automat și va avansa la următorul atribut dacă nu se apasă ▲ sau ▼.
2. Pentru a schimba un atribut, apăsați ▲ sau ▼ când atributul evidențiat este selectat.
Data și ora curente vor fi afișate pe ecran.

Ajustarea contrastului afișajului

1. Apăsați ▲ și ▼ în același timp pentru a intra în meniul Display contrast (Contrast afișaj).
2. Utilizați ▲ sau ▼ pentru a regla contrastul afișajului. Aparatul de măsură revine automat la ecranul de măsurare după 3 secunde.



Modificarea setărilor de agitare

Viteza de agitare poate fi modificată în timpul calibrării și în timpul unei măsurări.

1. Apăsați  în timpul unei calibrări sau în timpul unei măsurări pentru a intra în meniul Stirring (Agitare).
2. Utilizați ▲ sau ▼ pentru a modifica viteza de agitare în %.

Modificarea unităților pentru temperatură

Unitățile pentru temperatură pot fi modificate la Celsius sau Fahrenheit.

1. Din ecranul principal apăsați .
2. Apăsați  pentru a selecta în Celsius sau Fahrenheit.

Întreținerea

▲ ATENȚIE



Pericole multiple. Numai personalul calificat trebuie să efectueze activitățile descrise în această secțiune a documentului.

NOTĂ

Nu demontați instrumentul pentru întreținere. În cazul în care componentele interne trebuie curățate sau reparate, contactați producătorul.

Curățarea instrumentului

NOTĂ

Nu utilizați niciodată agenți de curățare precum terebentina, acetona sau produse similare pentru a curăța instrumentul, inclusiv afișajul și accesoriile.

Curățați exteriorul instrumentului cu o cârpă moale și o soluție slabă de apă și săpun.

Clean the probe (Curățați sonda)

Curățați sonda, dacă este necesar. Consultați [Depanarea](#) de la pagina 181 pentru informații suplimentare despre curățare. Consultați documentația sondei pentru informații despre întreținerea sondei.

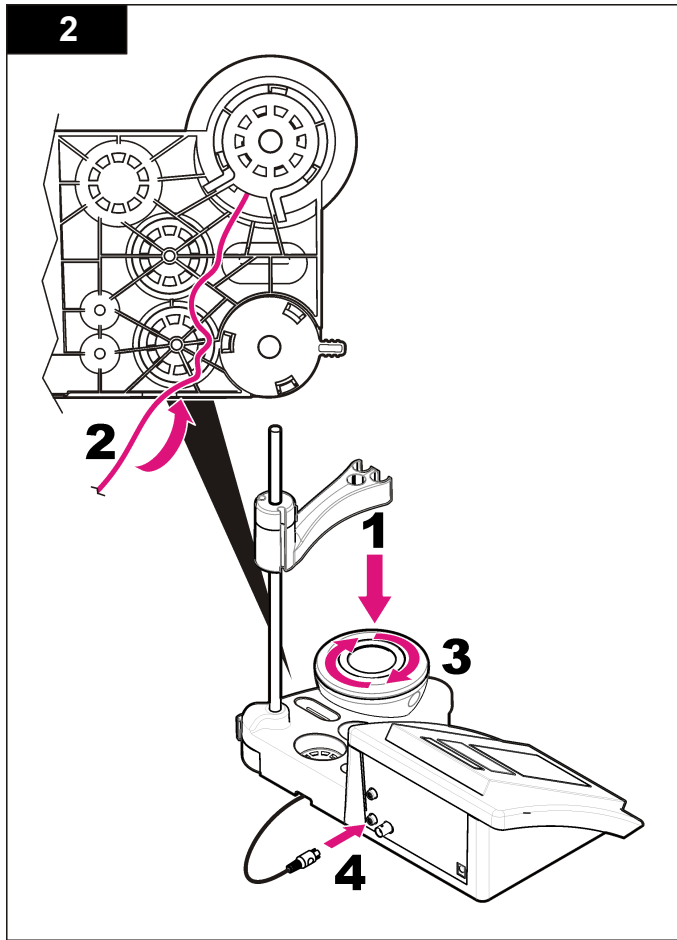
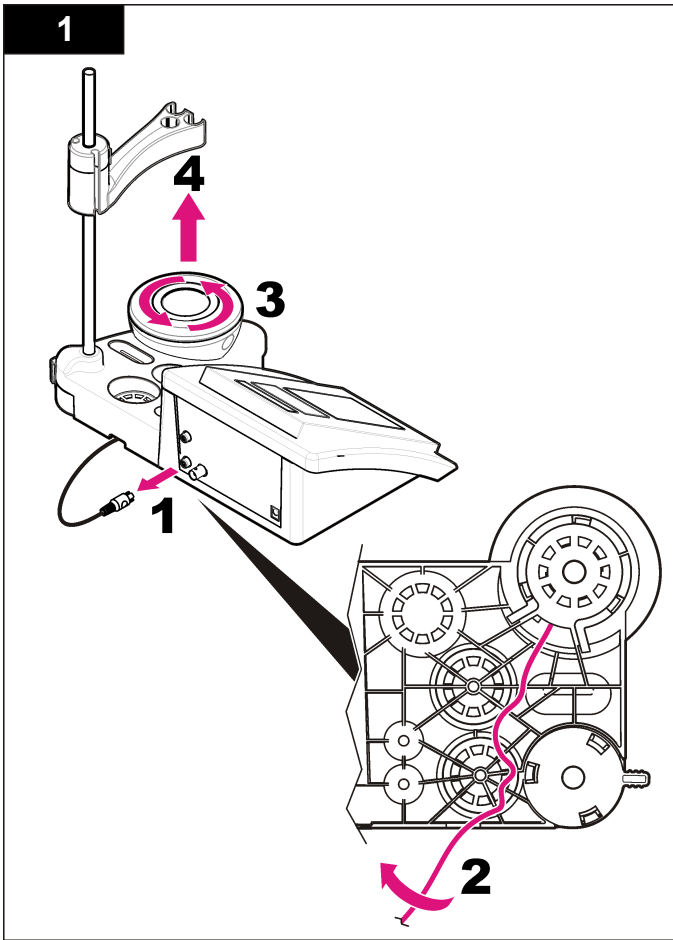
Utilizați agenții de curățare enumerați în [Tabelul 1](#) pentru contaminările de pe sonda pH.

Tabelul 1 Agenți de curățare pentru sonda pH

| Contaminare | Agent de curățare |
|----------------------------|------------------------------------|
| Proteine | Soluție de curățare cu pepsină |
| Vaselină, uleiuri, grăsimi | Soluție de curățare a electrozilor |
| Tartru | Soluție HCl 0,1 N |

Înlocuiți agitatorul magnetic




Dacă agitatorul magnetic nu pornește, urmați pașii numerotați pentru a înlocui agitatorul magnetic.




Depanarea

Consultați următorul tabel pentru mesaje referitoare la probleme sau simptome comune, cauze posibile și acțiuni de remediere.


Tabelul 2 Avertizări și erori de calibrare

| Eroare/Avertisment | Soluție |
|---|--|
| Asimetrie > 58 mV | Pantă în afara intervalului (valori acceptate \pm 58 mV). Repetăți cu  . Conectați o sondă nouă. |
| Soluție tampon sau electrod în stare necorespunzătoare. | Repetăți cu  . Examinați sonda: Curățați sonda (consultați Clean the probe (Curățați sonda) de la pagina 178 pentru informații suplimentare); asigurați-vă că nu există bule de aer în membrană. Scuturați sonda ca un termometru; Conectați altă sondă pentru a verifica dacă problema este la sondă sau la aparatul de măsură. Examinați soluția tampon: Asigurați-vă că soluția tampon utilizată corespunde cu soluția tampon specificată în configurație; asigurați-vă de specificația temperaturii în configurație; utilizați soluția tampon nouă. |
| Sens. (a) < 70% | |
| BUFFER NOT RECOGNIZED (SOLUȚIE TAMPON NERECUNOSCUTĂ) | |
| UNSTABLE READING (CITIRE INSTABILĂ) Timp t > 100 s | Repetăți cu  . Examinați sonda: Curățați sonda (consultați Clean the probe (Curățați sonda) de la pagina 178 pentru informații suplimentare); asigurați-vă că nu există bule de aer în membrană. Scuturați sonda ca un termometru; conectați altă sondă pentru a verifica dacă problema este la sondă sau la aparatul de măsură. Asigurați-vă că membrana și diafragma sunt introduse corect în probă. |

Tabelul 2 Avertizări și erori de calibrare (continuare)

| Eroare/Avertisment | Soluție |
|--|--|
| Electrod în stare necorespunzătoare. | Examinați sonda: Curățați sonda (consultați Clean the probe (Curățați sonda) de la pagina 178 pentru informații suplimentare); asigurați-vă că nu există bule de aer în membrană. Scuturați sonda ca un termometru; conectați altă sondă pentru a verifica dacă problema este la sondă sau la aparatul de măsură. |
| Verificați electrodul | |
| SAME BUFFERS (ACELEAȘI SOLUȚII TAMPON) | Repetăți cu  . Examinați sonda: Curățați sonda (consultați Clean the probe (Curățați sonda) de la pagina 178 pentru informații suplimentare); asigurați-vă că nu există bule de aer în membrană. Scuturați sonda ca un termometru; conectați altă sondă pentru a verifica dacă problema este la sondă sau la aparatul de măsură. Examinați soluția tampon: utilizați soluția tampon nouă. |

Tabelul 3 Avertizări și erori de măsurare

| Eroare/Avertisment | Soluție |
|--------------------------|---|
| pH 12,78 19 °C | Repetăți cu  . |
| pH în afara intervalului | Examinați sonda: Curățați sonda (consultați Clean the probe (Curățați sonda) de la pagina 178 pentru informații suplimentare); asigurați-vă că nu există bule de aer în membrană. Scuturați sonda ca un termometru; conectați altă sondă pentru a verifica dacă problema este la sondă sau la aparatul de măsură. |

Tabelul 3 Avertizări și erori de măsurare (continuare)

| Eroare/Avertisment | Soluție |
|--------------------------------------|---|
| Temperatură în afara intervalului °C | Examinați senzorul de temperatură. Conectați altă sondă pentru a verifica dacă problema este la sondă sau la aparatul de măsură. |
| Țimp > 150 s | Asigurați-vă că membrana și diafragma sunt introduse corect în probă. Examinați temperatura Examinați sonda: Curățați sonda (consultați Clean the probe (Curățați sonda) de la pagina 178 pentru informații suplimentare); asigurați-vă că nu există bule de aer în membrană. Scuturați sonda ca un termometru; conectați altă sondă pentru a verifica dacă problema este la sondă sau la aparatul de măsură. |

Piese de schimb și accesorii

Notă: Numerele de produs și articol pot să varieze pentru unele regiuni de comercializare. Contactați distribuitorul corespunzător sau consultați site-ul Web al companiei pentru informații de contact.

Piese de schimb

| Descriere | Număr articol |
|---|-----------------|
| Aparat de măsură pH de laborator sensION+ PH3 cu accesorii, fără sondă | LPV2000.98.0002 |
| Aparat de măsură pH de laborator sensION+ PH31 cu accesorii, fără sondă | LPV2100.98.0002 |
| Aparat de măsură pH și electroliți de laborator sensION+ MM340, GLP, 2 canale, cu accesorii, fără sondă | LPV2200.98.0002 |
| Aparat de măsură conductivitate de laborator sensION+ EC7, cu accesorii, fără sondă | LPV3010.98.0002 |

Piese de schimb (continuare)

| Descriere | Număr articol |
|---|-----------------|
| Aparat de măsură conductivitate de laborator sensION+ EC71, GLP, cu accesorii, fără sondă | LPV3110.98.0002 |
| Aparat de măsură de laborator sensION+ MM374, 2 canale, GLP, accesorii, fără sonde | LPV4110.98.0002 |

Materiale consumabile

| Descriere | Număr articol |
|--|---------------|
| Soluție tampon pH 4,01, 125 mL | LZW9460.99 |
| Soluție tampon pH 7,00, 125 mL | LZW9461.98 |
| Soluție tampon pH 10,01, 125 mL | LZW9470.99 |
| Soluție tampon pH 4,01, 250 mL | LZW9463.99 |
| Soluție tampon pH 7,00, 250 mL | LZW9464.98 |
| Soluție tampon pH 10,01, 250 mL | LZW9471.99 |
| Soluție tampon pH 4,01, 1000 mL | LZW9466.99 |
| Soluție tampon pH 7,00, 1000 mL | LZW9467.98 |
| Soluție tampon pH 10,01, 1000 mL | LZW9472.99 |
| Soluție electrolitică (KCl 3M), 125 ml | LZW9510.99 |
| Soluție electrolitică (KCl 3M), 250 ml | LZW9500.99 |
| Soluție electrolitică (KCl 3M), 50 ml | LZW9509.99 |
| Soluție electrolitică 0,1M, 125 ml | LZW9901.99 |
| Soluție cu enzime | 2964349 |
| Soluție de curățare cu pepsină | 2964349 |
| Soluție de curățare a electrozilor | 2965249 |
| Soluție HCl 0,1 N | 1481253 |

Accesorii

| Descriere | Număr articol |
|---|---------------|
| Agitator magnetic cu suport de senzor, pentru sensION+ MM de tip benchtop | LZW9319.99 |
| 3 separatoare imprimate de 50 ml pentru calibrarea pH de tip benchtop | LZW9110.98 |
| Suport cu trei senzori, pentru instrumente sensION+ de tip benchtop | LZW9321.99 |
| Suport și clemă pentru trei senzori | LZW9155.99 |
| Cameră din sticlă pirex, măsurări continue de debit | LZW9118.99 |
| Protecție din PP, depozitare electrod | LZW9161.99 |

Soluții standard

Soluții tampon tehnice (DIN 19267)

Consultați valorile pH sau ORP (mV) [Tabelul 4](#) ale seturilor specifice de soluții tampon la diverse temperaturi.

Tabelul 4 Valori ale pH, ORP (mV) și ale temperaturii

| Temperatură | | pH | | | | | mV |
|-------------|-----------|-------------|-------------|-------------|-------------|--------------|------------|
| °C | °F | | | | | | |
| 0 | 32 | 2,01 | 4,01 | 7,12 | 9,52 | 10,30 | — |
| 10 | 50 | 2,01 | 4,00 | 7,06 | 9,38 | 10,17 | 245 |
| 20 | 68 | 2,00 | 4,00 | 7,02 | 9,26 | 10,06 | 228 |
| 25 | 77 | 2,00 | 4,01 | 7,00 | 9,21 | 10,01 | 220 |
| 30 | 86 | 2,00 | 4,01 | 6,99 | 9,16 | 9,96 | 212 |
| 40 | 104 | 2,00 | 4,03 | 6,97 | 9,06 | 9,88 | 195 |
| 50 | 122 | 2,00 | 4,06 | 6,97 | 8,99 | 9,82 | 178 |
| 60 | 140 | 2,00 | 4,10 | 6,98 | 8,93 | 9,76 | 160 |

Tabelul 4 Valori ale pH, ORP (mV) și ale temperaturii (continuare)

| Temperatură | | pH | | | | | mV |
|-------------|-----|------|------|------|------|---|----|
| °C | °F | | | | | | |
| 70 | 158 | 2,01 | 4,16 | 7,00 | 8,88 | — | — |
| 80 | 176 | 2,01 | 4,22 | 7,04 | 8,83 | — | — |
| 90 | 194 | 2,01 | 4,30 | 7,09 | 8,79 | — | — |

Techniniai duomenys

Techniniai duomenys gali būti keičiami neperspėjus.

| Techniniai duomenys | Išsami informacija |
|--|--|
| Matmenys | 35 x 20 x 11 cm (13,78 x 7,87 x 4,33 in) |
| Svoris | 1100 g (2,43 lb) |
| Matuoklio dėžutė | IP42 |
| Maitinimas (naudojant išorinį šaltinį) | 100–240 V, 0,4 A, 47–63 Hz |
| Matavimo prietaiso apsaugos klasė | II klasė |
| Laikymo temperatūra | Nuo –15 iki +65 °C (nuo 5 iki +149 °F) |
| Darbinė temperatūra | 0–40 °C(41–104 °F) |
| Darbinis drėgnis | < 80 % (be kondensacijos) |
| Resolution (raiška) | pH: 0.01, ORP: 1 mV, temperatūra: 0,1 °C (0,18 °F) |
| Matavimo paklaida (± 1 skaitmuo) | pH: ≤ 0.01, ORP: ≤ 1 mV, temperatūra: ≤ 0,2 °C (≤ 0,36 °F) |
| Atkuriamumas (± 1 skaitmuo) | pH: ± 0.01, ORP: ± 1 mV, temperatūra: ± 0,1 °C (± 0,18 °F) |
| Jungtys | Kombinuotasis arba indikatorius zondas: BNC jungtis (Imp. >10 ¹² Ω); referentinis elektrodas: bananinė jungtis; A.T.C. tipas Pt 1000: bananinė arba telefoninė jungtis; magnetinis maišiklis: RCA jungtis |
| Temperatūros koregavimas | Rankinis, Pt 1000 temperatūros zondas (A.T.C.), NTC 10 kΩ zondas |
| Matavimų ekrano užraktas | Nuolatinis matavimas, pagal stabilumą |
| Ekranas | Skystųjų kristalų, foninis apšvietimas, 128 x 64 taškų |

| Techniniai duomenys | Išsami informacija |
|---------------------|-------------------------------|
| Klaviatūra | PET su apsaugine konstrukcija |
| Sertifikavimas | CE |

Bendrojo pobūdžio informacija

Pataisytuosius leidimus rasite gamintojo žiniatinklio svetainėje.

Saugos duomenys

PASTABA

Gamintojas nėra atsakingas už jokių nuostolių dėl netinkamo šio gaminio taikymo ar naudojimo, įskaitant tiesioginius, atsitiktinius ir šalutinius nuostolius, bet tuo neapsiribojant, ir nepripažįsta jokių atsakomybės už tokius nuostolius, kiek tai leidžia galiojantys įstatymai. Tik naudotojas yra atsakingas už taikymo lemiamo pavojaus nustatymą ir tinkamų mechanizmų procesams apsaugoti per galimą įrangos triktį įrengimą.

Perskaitykite visą šį dokumentą prieš išpakuodami, surinkdami ir pradėdami naudoti šį įrenginį. Atkreipkite dėmesį į visus įspėjimus apie pavojų ir atsargumo priemones. Priešingu atveju įrenginio naudotojas gali smarkiai susižeisti arba sugadinti įrenginį.

Įsitikinkite, kad šio įrenginio apsauga nepažeista. Nenaudokite ir nemontuokite šio įrenginio kitokiu būdu, nei nurodyta šiame vadove.

Informacijos apie pavojų naudojimas

▲ PAVOJUS

Žymi galimą arba neišvengiamą pavojingą situaciją, į kurią pakliuvus galima mirtinai ar stipriai susižeisti.

▲ ĮSPĖJIMAS

Žymi galimą arba neišvengiamą pavojingą situaciją, kurios nevengiant gali grėsti mirtis ar stiprus sužeidimas.

▲ ATSARGIAI



Žymi galimą pavojingą situaciją, dėl kurios galima lengvai ar vidutiniškai susižeisti.

PASTABA

Žymi situaciją, kurios neišvengus gali būti sugadintas prietaisas. Informacija, kuriai reikia skirti ypatingą dėmesį.

Apie pavojų perspėjančios etiketės

Perskaitykite visas prie prietaiso pritvirtintas etiketes ir žymas. Nesilaikant nurodytų įspėjimų galima, susižaloti arba sugadinti prietaisą. Simbolis, kuriuo pažymėtas prietaisas, yra nurodytas vadove su įspėjamuoju pareiškimu.

| | |
|---|--|
|  | Šis simbolis, jeigu juo pažymėtas įtaisas, reiškia, kad turite skaityti naudojimo vadovą ir (arba) saugos informaciją. |
|  | Šiuo simboliu pažymėto elektros įrenginio negalima išmesti namų arba viešosiose atliekų išmetimo vietose Europoje. Nemokamai grąžinkite nebenaudojamą įrangą gamintojui, kad ji būtų utilizuota. |

Gaminio apžvalga

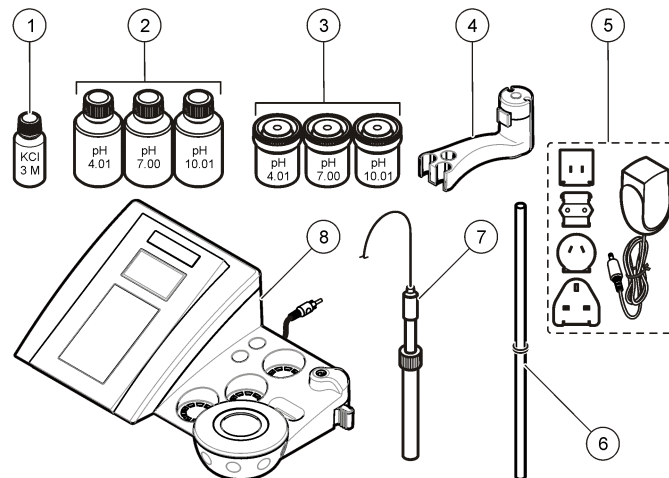
„sensION™+“ matuokliai yra naudojami su zondais įvairiems vandens parametrų matuoti.

„sensION™+ PH3“ matuoklis matuoja pH, ORP (mV) arba temperatūrą.

Gaminio sudedamosios dalys

Jei norite įsitikinti, kad gavote visas sudedamąsias dalis, žr. [Paveikslėlis 1](#). Aptikę, kad dalių trūksta ar jos yra apgadintos, nedelsdami susisiekiite su gamintoju ar prekybos atstovu.

Paveikslėlis 1 Matavimo prietaiso sudedamosios dalys

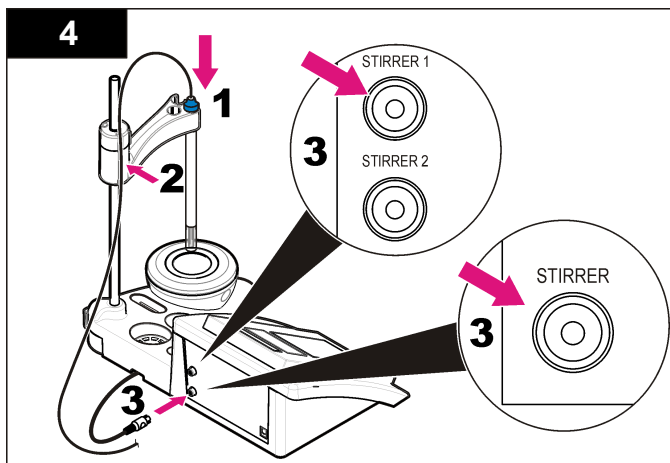
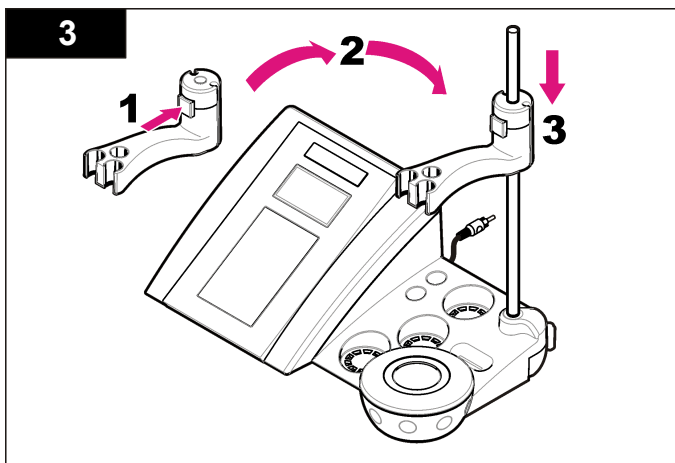
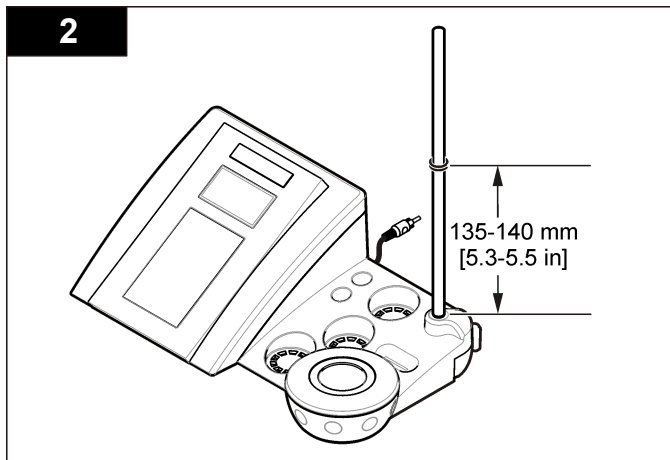
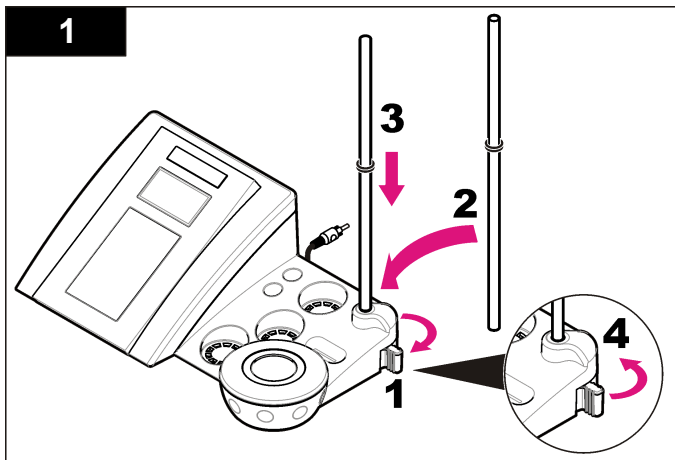


| | |
|---|---|
| 1 Zondui skirtas elektrolitas | 5 Maitinimo šaltinis |
| 2 Buferiniai tirpalai (pH 4,01, pH 7,00 ir pH 10,01) | 6 Strypelis su sandarinimo žiedu |
| 3 Kalibravimo menzūros (su magnetine juostele viduje) | 7 Zondas (pridedamas tik su rinkiniais) |
| 4 Zondo laikiklis | 8 Matavimo prietaisas |

Įmontavimas

Zondo laikiklio surinkimas

Vykdydami sunumeruotus veiksmus surinkite zondo laikiklį ir prijunkite magnetinį maišytuvą.



Prijunkite prie kintamosios srovės (AC) maitinimo šaltinio

⚠ PAVOJUS

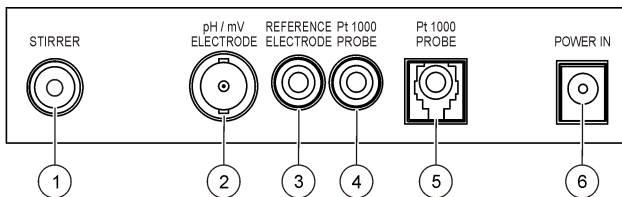


Mirtino elektros smūgio pavojus. Jei šis prietaisas yra naudojamas lauke arba drėgnoje vietoje, jungiant jį prie maitinimo šaltinio būtina naudoti nuotėkio relę.

Matavimo prietaisą galima jungti prie AC maitinimo šaltinio naudojant universalųjį maitinimo srovės adapterį.

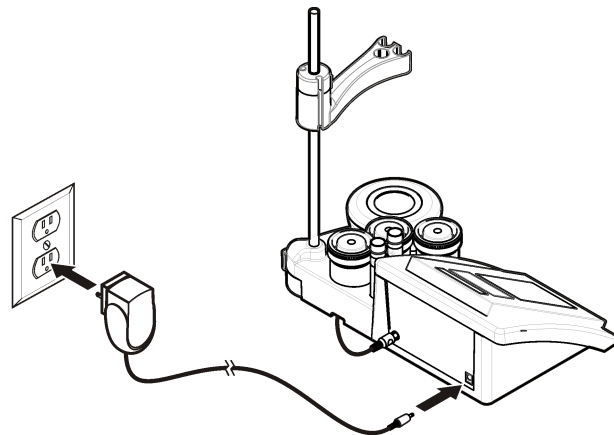
1. Iš adapterių rinkinio pasirinkite tinkamą adapterio kištuką elektros tinklo kištukiniam lizdui.
2. Prijunkite universalųjį maitinimo srovės adapterį prie matavimo prietaiso ([Paveikslėlis 2](#)).
3. Įjunkite universalųjį maitinimo srovės adapterį į AC kištukinį lizdą ([Paveikslėlis 3](#)).
4. Įjunkite matavimo prietaisą.

Paveikslėlis 2 Jungčių blokas



| | |
|--|---------------------------------------|
| 1 Magnetinio maišiklio jungtis | 4 Temperatūros zondo jungtis |
| 2 Kombinuotoji pH elektrodo (arba indikatoriaus) jungtis | 5 Atskirto temperatūros zondo jungtis |
| 3 Referentinio elektrodo (atskirtų elektrodų) jungtis | 6 Maitinimo šaltinis |

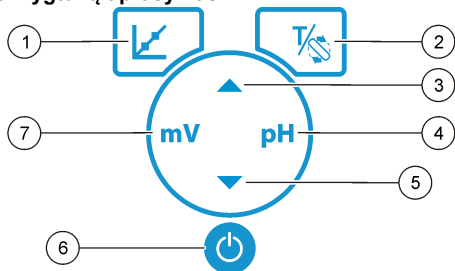
Paveikslėlis 3 Jungimas prie AC maitinimo šaltinio



Naudotojo sąsaja ir naršymas

Naudotojo sąsaja

Klaviatūros mygtukų aprašymas

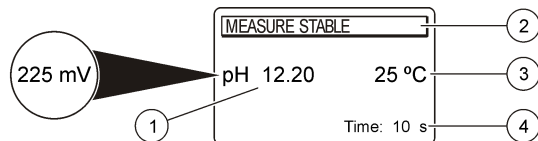


| | |
|--|---|
| 1 KALIBRAVIMO klavišas: juo pradeda kalibruoti, galima peržiūrėti kalibravimo duomenis ir pakeisti dažnumą | 5 Klavišas ŽEMYN: juo pereinama prie kitos parinkties, keičiama vertė |
| 2 TEMPERATŪROS ir MAIŠYMO klavišas: juo keičiama temperatūra (°C, °F) arba maišymo greitis | 6 ĮJUNGIMAS / IŠJUNGIMAS – matavimo prietaiso įjungimas / išjungimas |
| 3 Klavišas AUKŠTYN: juo pereinama prie kitos parinkties, keičiama vertė | 7 mV matavimo klavišas: juo pradedamas ORP (mV) matavimas |
| 4 pH matavimo klavišas: juo pradedamas pH matavimas | |

Ekranų aprašymas

Matavimo prietaiso ekrane rodoma koncentracija, vienetai, temperatūra, kalibravimo būseną, data ir laikas.

Paveikslėlis 4 Vienas langas per visą ekraną



| | |
|---|------------------------------------|
| 1 Matavimo vienetai ir vertė (pH, ORP (mV)) | 3 Mėginio temperatūra (°C arba °F) |
| 2 Matavimo režimas arba laikas ir data | 4 Matomas matavimo laikmatis |

Naršymas

Kalibravimo klavišu galite kalibruoti zondą. Parametrų klavišu galite atlikti mėginio matavimą. TEMPERATŪROS ir MAIŠYMO klavišu galite pakeisti temperatūrą (°C, °F) arba maišymo greitį. Rodyklių klavišais galite pereiti prie kitų parinkčių arba pakeisti vertę. Atlikdami užduotis būtinai stebėkite ekraną, nes langai greitai keičiasi. Žiūrėkite konkrečias kiekvienos užduoties instrukcijas.

Paleidimas

Matavimo prietaisą įjunkite, tuomet išjunkite

PASTABA

Prieš įjungdami matuoklį įsitikinkite, kad zondas yra prijungtas prie matuoklio.

Paspauskite norėdami įjungti arba išjungti matuoklį. Jei matavimo prietaisas neįsijungia, patikrinkite, ar AC maitinimo šaltinis yra gerai įjungtas į kištukinį lizdą.

Kalbos keitimas



Ekranе rodoma kalba yra pasirenkama pirmą kartą įjungus matavimo prietaisą.

Klavišais ▲ arba ▼ pasirinkite kalbą iš sąrašo. Matuoklis automatiškai grįš į matavimo langą po 3 sekundžių.

Pastaba: ▲ Norėdami pakeisti kalbą iš pagrindinio meniu, paspauskite .

Įprastas naudojimas




Kalibravimas


| ▲ PAVOJUS | |
|---|--|
|  | Sąlyčio su cheminėmis medžiagomis pavojus. Vykdykite laboratorijos saugos procedūras ir dėvėkite visas asmeninės saugos priemones, tinkančias naudojamiems chemikalams. Saugos protokolai nurodyti galiojančiuose saugos duomenų lapuose (MSDS / SDS). |
|  | |

Kalibravimo procedūra

Ši procedūra atliekama įprastai naudojant skysčių kalibravimo tirpalus. Papildomos informacijos rasite dokumentuose, kurie yra pridedami su kiekvienu zondų.


Pastaba: Tirpalai kalibruojant turi būti sumaišyti. Daugiau informacijos apie maišymo nuostatas rasite [Maišymo nuostatų keitimas Puslapyje 190](#).

1. Supilkite buferinius arba kalibravimo tirpalus į pažymėtas kalibravimo menzūras.
2. Pagrindiniame meniu spausdami  pasirinkite pH arba mV kalibravimą.
3. Praskalaukite zondą dejonizuotu vandeniu ir įdėkite jį į pirmąją kalibravimo menzūrą. Įsitinkite, kad ant membranos nėra oro burbulų.
4. Paspauskite  norėdami matuoti pirmąjį kalibravimo tirpalą. Parodytas kitas kalibravimo tirpalas.
5. Praskalaukite zondą dejonizuotu vandeniu ir įdėkite jį į antrąjį kalibravimo mėgintuvėlį. Įsitinkite, kad ant membranos nėra oro burbulų.
6. Paspauskite  norėdami matuoti antrąjį kalibravimo tirpalą. Parodytas kitas kalibravimo tirpalas.

7. Praskalaukite zondą dejonizuotu vandeniu ir įdėkite jį į trečiąjį kalibravimo mėgintuvėlį. Įsitinkite, kad ant membranos nėra oro burbulų.
8. Paspauskite  norėdami matuoti trečiąjį kalibravimo tirpalą. Kai kalibravimas yra geras, ekrane trumpai parodoma „3rd Buffer OK“ (trečias buferinis tirpalas geras), tada grįžtama į pagrindinį meniu.

Kalibravimo duomenų peržiūra


Gali būti rodomi naujausi kalibravimo duomenys.

1. Pagrindiniame meniu paspauskite  .
2. Norėdami peržiūrėti naujausius kalibravimo duomenis, naudokite ▼ . Matuoklis automatiškai grįš į matavimo langą po 3 sekundžių.

Kalibravimo priminimo nustatymas

Kalibravimo priminimą galima nustatyti nuo 0 iki 23 valandų arba nuo 1 iki 7 dienų (numatytasis 1 diena). Ekrane rodomas iki naujo kalibravimo likęs laikas.

Pastaba: Kai pasirinkta 0 dienų, kalibravimo priminimas yra išjungtas.

1. Pagrindiniame meniu paspauskite  , tada ▼ , kol ekrane pasirodys „Cal. frequency“ (kalibravimo dažnumas).
2. Klavišais ▲ arba ▼ pakeiskite vertę. Matuoklis automatiškai grįš į matavimo langą po 3 sekundžių.

Mėginių matavimai

Prieš matuojant mėginius su kiekvienu zondų tam tikra tvarka atliekami tam tikri paruošiamieji veiksmai. Išsamų instrukcijų ieškokite prie kiekvieno zondo pridedamuose dokumentuose.

Pastaba: Tirpalai matuojant turi būti sumaišyti. Daugiau informacijos apie maišymo nuostatas rasite [Maišymo nuostatų keitimas Puslapyje 190](#).

Pastaba: Kai temperatūros matavimo zondas neprijungtas, ORP (mV) matavimo metu temperatūra nerodoma.

Paspauskite pH arba ORP (mV), norėdami atlikti mėginio matavimą. Matuojant parametras mirksi, o laikmatis rodo stabilizavimo laiką.

Norėdami pakeisti matuojamą parametą (jei naudojamas), paspauskite ir laikykite pH arba ORP (mV).

Norėdami matuoti mėginį nepertraukiamai, paspauskite pH arba ORP (mV), kad pradėtumėte matavimą, ir paspauskite pH arba ORP (mV) dar kartą stabilizavimo metu. Parametras mirksi rodydamas, kad įjungtas nepertraukiamo matavimo režimas.

Papildomas naudojimas

Datos ir laiko keitimas

Data ir laiką galima keisti meniu „Date and Time“ (data ir laikas).


1. Klavišais ▼ pasirinkite datos ir laiko meniu. Datos ir laiko formatai: dd-mm-yyyy 24 val. Keičiamas atributas bus automatiškai paryškintas ir pereis prie kito atributo, jeigu nespausite ▲ arba ▼ .
2. Norėdami keisti atributą, paspauskite ▲ arba ▼ , kai pasirinktas paryškintas atributas. Ekране bus rodomi esama data ir laikas.

Ekranų kontrasto reguliavimas

1. Vienu metu paspauskite ▲ ir ▼ , kad įeitumėte į ekranų kontrastingumo meniu.
2. Klavišais ▲ arba ▼ koreguokite ekranų kontrastingumą. Matuoklis automatiškai grįš į matavimo langą po 3 sekundžių.



Maišymo nuostatų keitimas

Maišymo greitį galima keisti kalibruojant ir matuojant.

1. Paspauskite  kalibruodami arba matuodami, kad patektumėte į maišymo meniu.
2. Klavišais ▲ arba ▼ keiskite maišymo greitį procentais.

Temperatūros matavimo vienetų keitimas

Temperatūros matavimo vienetus galima pakeisti į Celsijaus arba Farenheito.

1. Pagrindiniame ekrane paspauskite  .
2. Norėdami pasirinkti „Celsius“ (Celsijaus) arba „Fahrenheit“ (Farenheito), paspauskite  .

Techninė priežiūra

⚠ ATSAUGIAI



Ivairūs pavojai. Šiame dokumente skyriuje aprašytas užduotis turi vykdyti tik kvalifikuoti darbuotojai.

PASTABA

Neardykite prietaiso atlikdami techninę priežiūrą. Jeigu vidinius komponentus reikia valyti arba remontuoti, kreipkitės į gamintoją.

Prietaiso valymas

PASTABA

Niekada naudokite tokių valymo medžiagų kaip terpentinas, acetonas arba panašių produktų prietaisui valyti, įskaitant ekraną ir priedus.

Valykite prietaiso paviršius drėgna medžiagos skiaute ir silpnu muilo tirpalu.

Zondo valymas

Zondą valykite, kai reikia. Daugiau informacijos apie valymą rasite [Trikčių šalinimas](#) Puslapyje 193. Žiūrėkite zondo dokumentaciją norėdami rasti informacijos apie zondo priežiūrą.

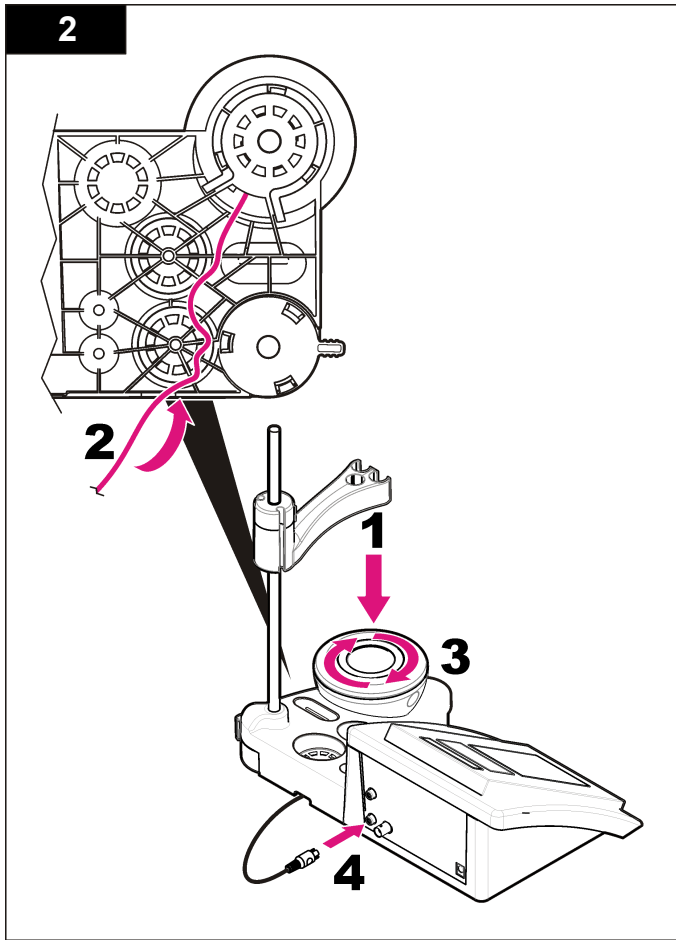
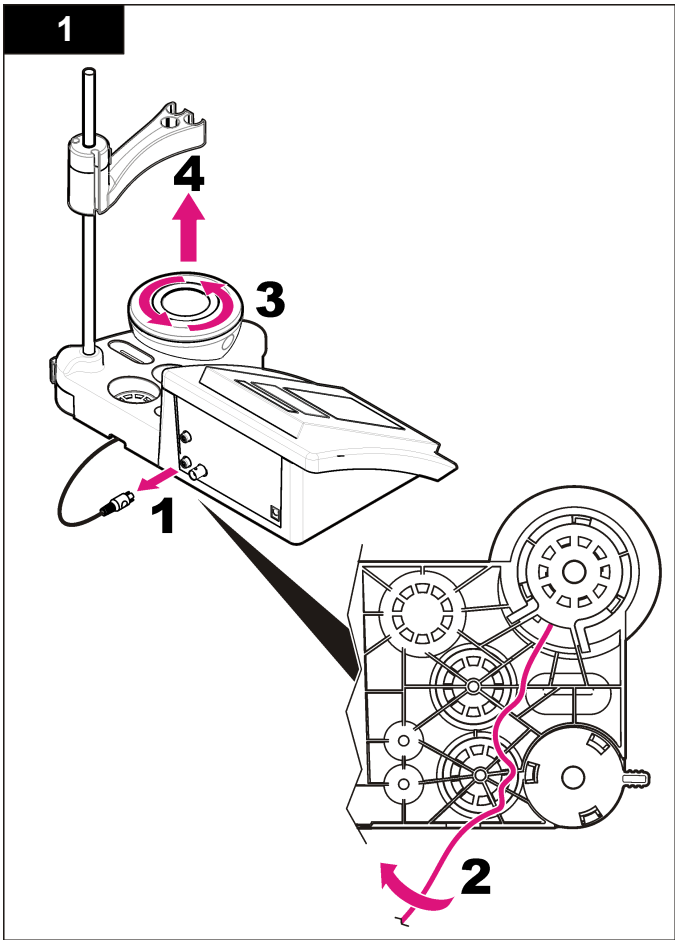
Naudokite valymo medžiagas, išvardytas [Lentelė 1](#), ant pH zondo susikaupusiems teršalams valyti.

Lentelė 1 Valymo medžiagos pH zondui

| Tarša | Valymo medžiaga |
|--------------------------|------------------------------|
| Baltymai | Pepsino valomasis tirpalas |
| Tepalas, alyva, riebalai | Elektrodų valomasis tirpalas |
| Kalkių nuosėdos | 0,1 N HCl tirpalas |

Magnetinio maišiklio keitimas




Jeigu magnetinis maišiklis nepaleidžiamas, vykdydami sunumeruotus veiksmus pakeiskite magnetinį maišiklį.




Trikčių šalinimas

Informacijos apie dažnai pasitaikančių problemų pranešimus ar požymius, galimas jų priežastis ir ką reikia daryti, rasite toliau pateiktoje lentelėje.


Lentelė 2 Kalibravimo įspėjimai ir klaidos

| Klaida / įspėjimas | Sprendimas |
|--|--|
| Asimetrija > 58 mV | Nuolydis neatitinka ribų (priimtinos vertės ± 58 mV). Pakartokite su  . Prijunkite naują zondą. |
| Buferinis tirpalas arba elektrodas blogos būklės. | Pakartokite su  . Patikrinkite zondą: nuvalykite zondą (žiūrėkite Zondo valymas Puslapyje 190, norėdami rasti daugiau informacijos); įsitikinkite, kad ant membranos nėra oro burbulų. Papurtykite zondą kaip termometrą; norėdami sužinoti, dėl ko kilo problema – dėl zondo ar matavimo prietaiso, prijunkite kitą zondą. Patikrinkite buferinį tirpalą: įsitikinkite, kad naudojamas buferinis tirpalas atitinka konfigūracijoje nurodytą buferinį tirpalą; įsitikinkite, kad temperatūra atitinka nurodytą konfigūracijoje; naudokite naują buferinį tirpalą. |
| Jautr. (a) < 70 % | |
| BUFERINIS TIRPALAS NEATPAŽINTAS | |
| PATEIKIAMY NĖPASTOVŪS DUOMENYS Laikas $t > 100$ s | Pakartokite su  . Patikrinkite zondą: nuvalykite zondą (žiūrėkite Zondo valymas Puslapyje 190, norėdami rasti daugiau informacijos); įsitikinkite, kad ant membranos nėra oro burbulų. Papurtykite zondą kaip termometrą; norėdami sužinoti, dėl ko kilo problema – dėl zondo ar matavimo prietaiso, prijunkite kitą zondą. Įsitikinkite, kad membrana ir diafragma yra tinkamai panardintos mėginyje. |

Lentelė 2 Kalibravimo įspėjimai ir klaidos (tęsinys)

| Klaida / įspėjimas | Sprendimas |
|-----------------------------|---|
| Elektrodas blogos būklės. | Patikrinkite zondą: nuvalykite zondą (žiūrėkite Zondo valymas Puslapyje 190, norėdami rasti daugiau informacijos); įsitikinkite, kad ant membranos nėra oro burbulų. Papurtykite zondą kaip termometrą; norėdami sužinoti, dėl ko kilo problema – dėl zondo ar matavimo prietaiso, prijunkite kitą zondą. |
| Patikrinkite elektrodą. | |
| VIENODI BUFERINIAI TIRPALAI | Pakartokite su  . Patikrinkite zondą: nuvalykite zondą (žiūrėkite Zondo valymas Puslapyje 190, norėdami rasti daugiau informacijos); įsitikinkite, kad ant membranos nėra oro burbulų. Papurtykite zondą kaip termometrą; norėdami sužinoti, dėl ko kilo problema – dėl zondo ar matavimo prietaiso, prijunkite kitą zondą. Patikrinkite buferinį tirpalą: naudokite naują buferinį tirpalą. |

Lentelė 3 Matavimo įspėjimai ir klaidos

| Klaida / įspėjimas | Sprendimas |
|--------------------|---|
| pH 12,78 19 °C | Pakartokite su  . |
| pH neatitinka ribų | Patikrinkite zondą: nuvalykite zondą (žiūrėkite Zondo valymas Puslapyje 190, norėdami rasti daugiau informacijos); įsitikinkite, kad ant membranos nėra oro burbulų. Papurtykite zondą kaip termometrą; norėdami sužinoti, dėl ko kilo problema – dėl zondo ar matavimo prietaiso, prijunkite kitą zondą. |

Lentelė 3 Matavimo įspėjimai ir klaidos (tęsinys)

| Klauda / įspėjimas | Sprendimas |
|--------------------------------|--|
| Temperatūra neatitinka ribų °C | Patikrinkite temperatūros jutiklį. Norėdami sužinoti, dėl ko kilo problema – dėl zondo ar matavimo prietaiso, prijunkite kitą zondą. |
| Laikas > 150 s | Įsitikinkite, kad membrana ir diafragma yra tinkamai panardintos mėginyje. Patikrinkite temperatūrą. Patikrinkite zondą: nuvalykite zondą (žiūrėkite Zondo valymas Puslapyje 190, norėdami rasti daugiau informacijos); įsitikinkite, kad ant membranos nėra oro burbulų. Papurtykite zondą kaip termometrą; norėdami sužinoti, dėl ko kilo problema – dėl zondo ar matavimo prietaiso, prijunkite kitą zondą. |

Atsarginės dalys ir priedai

Pastaba: Kai kuriuose pardavimo regionuose gaminių ir prekių numeriai gali skirtis. Kreipkitės į atitinkamą pardavimo agentą arba apsilankykite bendrovės tinklalapyje, kur rasite informaciją apie asmenis, į kuriuos galite kreiptis.

Atsarginės dalys

| Aprašymas | Eil. Nr. |
|--|-----------------|
| „sensION+ PH3“ laboratorinis pH matuoklis su priedais, be zondo | LPV2000.98.0002 |
| „sensION+ PH31“ laboratorinis pH matuoklis, GLP, su priedais, be zondo | LPV2100.98.0002 |
| „sensION+ MM340“ laboratorinis pH ir jonų matuoklis, GLP, 2 kanalai, su priedais, be zondo | LPV2200.98.0002 |
| „sensION+ EC7“ laboratorinis laidumo matuoklis, su priedais, be zondo | LPV3010.98.0002 |
| „sensION+ EC71“ laboratorinis laidumo matuoklis, GLP, su priedais, be zondo | LPV3110.98.0002 |
| „sensION+ MM374“, 2 kanalų laboratorinis matuoklis, GLP, priedai, be zondų | LPV4110.98.0002 |

Vartojimo reikmenys

| Aprašymas | Eil. Nr. |
|---------------------------------------|------------|
| pH buferinis tirpalas 4,01, 125 ml | LZW9460.99 |
| pH buferinis tirpalas 7,00, 125 ml | LZW9461.98 |
| pH buferinis tirpalas 10,01, 125 ml | LZW9470.99 |
| pH buferinis tirpalas 4,01, 250 ml | LZW9463.99 |
| pH buferinis tirpalas 7,00, 250 ml | LZW9464.98 |
| pH buferinis tirpalas 10,01, 250 ml | LZW9471.99 |
| pH buferinis tirpalas 4,01, 1000 ml | LZW9466.99 |
| pH buferinis tirpalas 7,00, 1000 ml | LZW9467.98 |
| pH buferinis tirpalas 10,01, 1000 ml | LZW9472.99 |
| Elektrolito tirpalas (KCl 3M), 125 ml | LZW9510.99 |
| Elektrolito tirpalas (KCl 3M), 250 ml | LZW9500.99 |
| Elektrolito tirpalas (KCl 3M), 50 ml | LZW9509.99 |
| Elektrolito tirpalas 0,1 M, 125 ml | LZW9901.99 |
| Fermentų tirpalas | 2964349 |
| Pepsino valomasis tirpalas | 2964349 |
| Elektrodų valomasis tirpalas | 2965249 |
| 0,1 N HCl tirpalas | 1481253 |

Priedai

| Aprašymas | Eil. Nr. |
|---|------------|
| Magnetinis maišiklis su jutiklio laikikliu, skirtas staliniam „sensION+ MM“ | LZW9319.99 |
| 3 x 50 ml atspausdintos menzūros, skirtos pH ant darbatalio kalibruoti | LZW9110.98 |

Priedai (priedais)

| Aprašymas | Eil. Nr. |
|---|------------|
| Trijų jutiklių laikiklis, skirtas „sensION+“ staliniams prietaisams | LZW9321.99 |
| Laikiklis ir gnybtas, skirtas trimis jutikliams | LZW9155.99 |
| „Pyrex“ stiklinė kamera, nuolatiniam srauto matavimui | LZW9118.99 |
| PP apsauga, elektrodui laikyti | LZW9161.99 |

Standartiniai tirpalai

Techniniai buferiniai tirpalai (DIN 19267)

Žiūrėkite [Lentelę 4](#), ten pateiktos konkrečių buferinių tirpalų rinkinių pH ir ORP (mV) vertės įvairiose temperatūrose.

Lentelė 4 pH, ORP (mV) ir temperatūros vertės

| Temperatūra | | pH | | | | | mV |
|-------------|-----------|-------------|-------------|-------------|-------------|--------------|------------|
| °C | °F | | | | | | |
| 0 | 32 | 2,01 | 4,01 | 7,12 | 9,52 | 10,30 | — |
| 10 | 50 | 2,01 | 4,00 | 7,06 | 9,38 | 10,17 | 245 |
| 20 | 68 | 2,00 | 4,00 | 7,02 | 9,26 | 10,06 | 228 |
| 25 | 77 | 2,00 | 4,01 | 7,00 | 9,21 | 10,01 | 220 |
| 30 | 86 | 2,00 | 4,01 | 6,99 | 9,16 | 9,96 | 212 |
| 40 | 104 | 2,00 | 4,03 | 6,97 | 9,06 | 9,88 | 195 |
| 50 | 122 | 2,00 | 4,06 | 6,97 | 8,99 | 9,82 | 178 |
| 60 | 140 | 2,00 | 4,10 | 6,98 | 8,93 | 9,76 | 160 |
| 70 | 158 | 2,01 | 4,16 | 7,00 | 8,88 | — | — |
| 80 | 176 | 2,01 | 4,22 | 7,04 | 8,83 | — | — |
| 90 | 194 | 2,01 | 4,30 | 7,09 | 8,79 | — | — |

Технические характеристики

В технические характеристики могут быть внесены изменения без предварительного уведомления.

| Характеристика | Значение |
|---|---|
| Габариты | 35 x 20 x 11 см (13,78 x 7,87 x 4,33 дюйма) |
| Вес | 1100 г (2,43 фунта) |
| Корпус прибора | IP 42 |
| Потребляемая мощность (от внешнего источника) | 100–240 В, 0,4 А, 47-63 Гц |
| Класс защиты прибора | II класс защиты |
| Температура хранения | от –15 до 65 °С (от 5 до 149 °F) |
| Диапазон рабочих температур | 0 - 40 °С (41 - 104 °F) |
| Рабочая влажность | < 80% (без конденсации) |
| Решение | pH: 0,01, ОВП: 1 мВ, температура: 0,1 °С (0,18 °F) |
| Погрешность измерения (± 1 цифра) | pH: ≤ 0,01, ОВП: ≤ 1 мВ, температура: ≤ 0,2 °С (≤ 0,36 °F) |
| Воспроизводимость (± 1 цифра) | pH: ± 0,01, ОВП: ± 1 мВ, температура: ± 0,1 °С (± 0,18 °F) |
| Соединения | подключения комбинированного датчика или индикатора: разъем BNC (Имп. >10 ¹² Ом); электрод сравнения: разъем с подпружиненными контактами; А.Т.С. типа Pt 1000: разъем с подпружиненными контактами или телефонный разъем; магнитная мешалка: разъем RCA |
| Температурная поправка | Ручной, датчик температуры Pt 1000 (А.Т.С.), датчик NTC 10 кОм |
| Фиксация измерений на дисплее | Непрерывное измерение, по стабильности |
| Экран | ЖК с подсветкой, 128 x 64 точек |

| Характеристика | Значение |
|----------------|---------------------------|
| Клавиатура | PET с защитной обработкой |
| Сертификаты | CE |

Общая информация

Все обновления можно найти на веб-сайте производителя.

Указания по безопасности

УВЕДОМЛЕНИЕ

Изготовитель не несет ответственности за любые повреждения, вызванные неправильным применением или использованием изделия, включая, без ограничения, прямой, неумышленный или косвенный ущерб, и снимает с себя ответственность за подобные повреждения в максимальной степени, допускаемой действующим законодательством. Пользователь несет исключительную ответственность за выявление критических рисков в работе и установку соответствующих механизмов для защиты обследуемой среды в ходе возможных неполадок оборудования.

Внимательно прочтите все руководство пользователя, прежде чем распаковывать, устанавливать или вводить в эксплуатацию оборудование. Соблюдайте все указания и предупреждения относительно безопасности. Их несоблюдение может привести к серьезной травме обслуживающего персонала или выходу из строя оборудования.

Чтобы гарантировать, что обеспечиваемая оборудованием защита не нарушена, не используйте или не устанавливайте данное оборудование никаким иным способом, кроме указанного в данном руководстве.

Информация о потенциальных опасностях

▲ ОПАСНОСТЬ

Указывает на потенциальные или непосредственно опасные ситуации, которые при нарушении могут привести к серьезным травмам или смерти.

▲ ПРЕДУПРЕЖДЕНИЕ

Указывает на потенциальные или непосредственно опасные ситуации, которые при нарушении могут привести к серьезным травмам или смерти.

▲ ОСТОРОЖНО



Указывает на потенциально опасную ситуацию, которая может привести к травмам малой и средней тяжести.

УВЕДОМЛЕНИЕ

Указывает на ситуацию, которая, если ее не избежать, может привести и повреждению оборудования. Информация, на которую следует обратить особое внимание.

Предупредительные надписи

Прочтите все бирки и этикетки на корпусе прибора. При их несоблюдении возникает опасность телесных повреждений или повреждений прибора. Символ на приборе вместе с предостережением об опасности включен в руководство.

| | |
|---|--|
|  | Если данный символ нанесен на прибор, в руководстве по эксплуатации необходимо найти информацию об эксплуатации и/или безопасности. |
|  | Возможен запрет на утилизацию электрооборудования, отмеченного этим символом, в европейских домашних и общественных системах утилизации. Пользователь может бесплатно вернуть старое или неработающее оборудование производителю для утилизации. |

Основные сведения об изделии

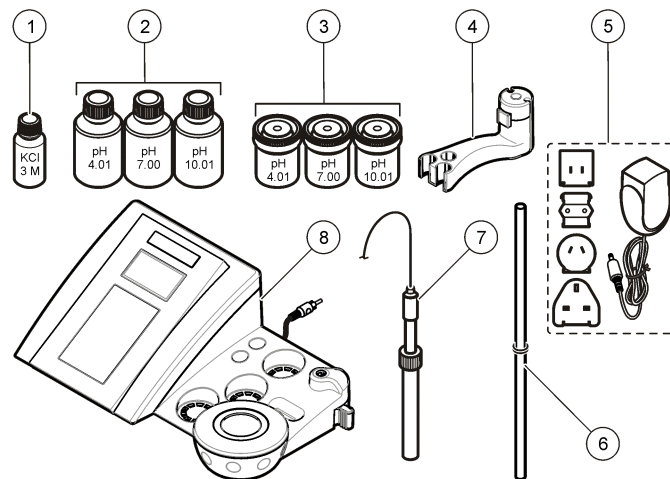
Измерительные приборы sensION™ + используются с датчиками для измерения различных параметров воды.

Прибор sensION™ + PH3 служит для измерения pH, ОВП (мВ) и температуры.

Комплектация прибора

См. [Рисунок 1](#), чтобы убедиться в наличии всех деталей. Если какой-либо элемент отсутствует либо поврежден, свяжитесь с изготовителем или торговым представителем.

Рисунок 1 Комплектация прибора

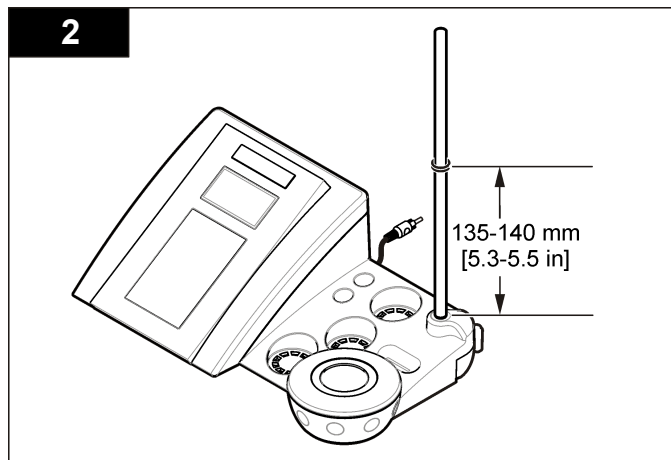
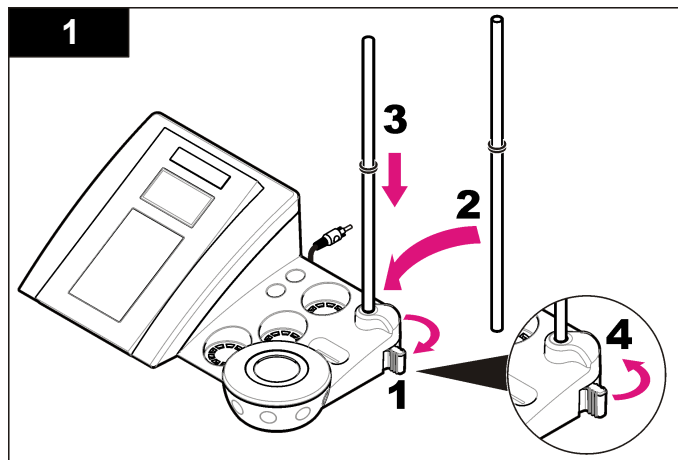


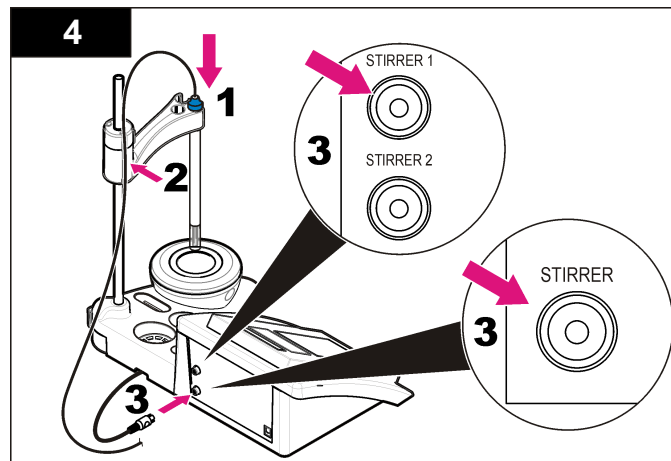
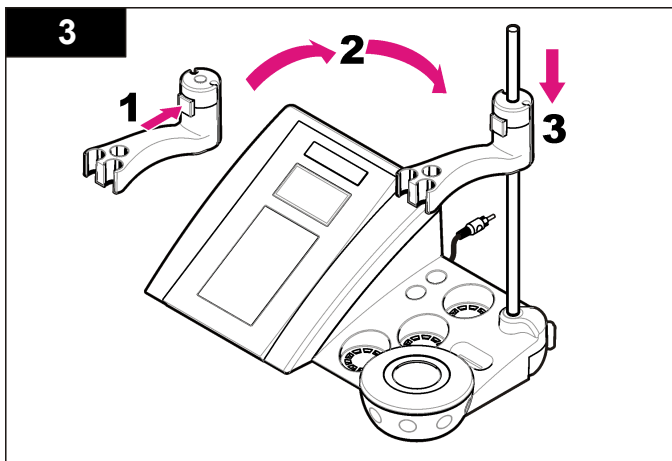
| | |
|--|--------------------------------------|
| 1 Электролит для датчиков | 5 Энергоснабжение |
| 2 Буферные растворы (pH 4,01, pH 7,00 и pH 10,01) | 6 Стержень с кольцевым уплотнением |
| 3 Калибровочные пробирки (с магнитной полоской внутри) | 7 Датчик (входит только в комплекте) |
| 4 Держатель датчика | 8 Прибор |

Монтаж

Установка держателя датчика


Выполните следующие действия для установки держателя датчика и подключения магнитной мешалки.





Подключение к сети переменного тока

⚠ ОПАСНОСТЬ

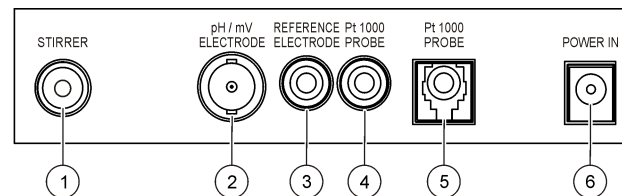


Опасность поражения электрическим током. При использовании прибора на открытом воздухе или в условиях возможной повышенной влажности необходимо для подключения устройства к электросети использовать устройства размыкания цепи при замыкании на землю.

Питание прибора может осуществляться от сети переменного тока через универсальный сетевой адаптер.

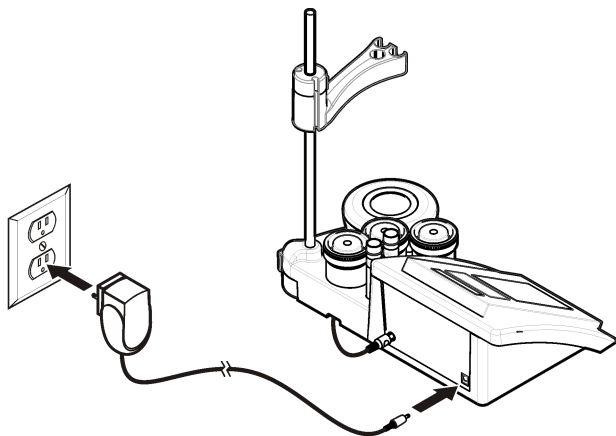
1. Выберите из комплекта адаптера подходящий разъем для электрической розетки.
2. Подключите универсальный сетевой адаптер к прибору ([Рисунок 2](#)).
3. Подключите универсальный сетевой адаптер к электрической розетке ([Рисунок 3](#)).
4. Включите прибор.

Рисунок 2 Панель разъемов



| | |
|--|--|
| 1 Разъем магнитной мешалки | 4 Разъем датчика температуры |
| 2 Комбинированный разъем pH электрода (или индикатора) | 5 Отдельный разъем датчика температуры |
| 3 Разъем электрода сравнения (отдельные электроды) | 6 Энергоснабжение |

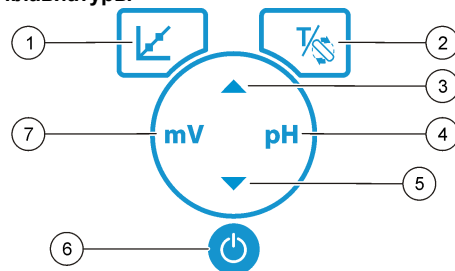
Рисунок 3 Подключение к сети переменного тока



Пользовательский интерфейс и навигация

Пользовательский интерфейс

Описание клавиатуры

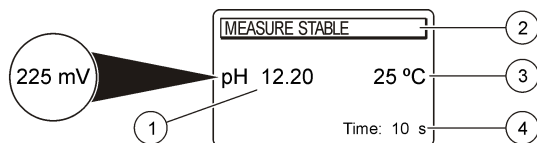


| | |
|--|--|
| <p>1 Клавиша CALIBRATION (КАЛИБРОВКА): запуск калибровки, просмотр данных калибровки и изменение частоты калибровки</p> | <p>5 Кнопка "Вниз": прокрутка опций или изменение значений</p> |
| <p>2 Клавиши TEMPERATURE (ТЕМПЕРАТУРА) и STIRRER (МЕШАЛКА) изменение температуры (°C, °F) и скорости перемешивания</p> | <p>6 ВКЛЮЧИТЬ/ВЫКЛЮЧИТЬ: для включения или выключения прибора</p> |
| <p>3 Кнопка "Вверх": прокрутка опций или изменение значений</p> | <p>7 Кнопка измерения mV (мВ): запуск измерения ОВП (мВ)</p> |
| <p>4 Кнопка измерения pH: запуск измерения pH</p> | |

Описание дисплея





На экран прибора выводятся концентрация, единицы измерения, температура, состояние калибровки, дата и время.

Рисунок 4 Одноэкранный дисплей



| | |
|---|-----------------------------------|
| 1 Измеряемая величина и значение (pH, ОВП (мВ)) | 3 Температура образца (°C или °F) |
| 2 Режим измерения или дата и время | 4 Таймер измерения |

Управление


При помощи клавиши калибровки  можно выполнить калибровку датчика. При помощи клавиши параметра можно выполнить измерение образца. При помощи клавиш TEMPERATURE (ТЕМПЕРАТУРА) и STIRRER (МЕШАЛКА)  изменяются температура (°C, °F) или скорость перемешивания. При помощи кнопок   можно переходить к другим опциям или изменять соответствующие значения. В ходе выполнения задач необходимо смотреть на дисплей, так как его экраны быстро сменяют друг друга. К каждой задаче имеются более подробные указания.

Запуск




Включите прибор, а затем выключите

УВЕДОМЛЕНИЕ

Перед включением прибора убедитесь, что датчик подключен.

Нажмите кнопку  для включения или выключения прибора. Если прибор не включается, убедитесь, что блок питания переменного тока правильно подключен к электрической розетке.

Изменение языка

Язык экрана можно выбрать при первом включении прибора. При помощи  или  выберите язык из списка. Прибор автоматически вернется через 3 секунды к экрану измерения.
Примечание:  Для изменения языка в главном меню нажмите .

Стандартная операция

Калибровка

▲ ОПАСНОСТЬ







Опасность воздействия химических реагентов. Необходимо соблюдать правила техники безопасности и использовать индивидуальные средства защиты, соответствующие используемым химикатам. При составлении протоколов по технике безопасности воспользуйтесь действующими паспортами безопасности / паспортами безопасности материалов (MSDS/SDS).

Процедура калибровки

Ниже следует общая процедура для жидких калибровочных растворов. Дополнительные сведения содержатся в документации, прилагаемой к каждому датчику.


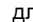
Примечание: При калибровке растворы необходимо перемешивать. Подробнее о настройках мешалки см. [Изменение настроек мешалки](#) на стр. 203.

1. Налейте буферные или калибровочные растворы в помеченные калибровочные пробирки.
2. В главном меню, нажимая , выберите калибровку pH или mV (мВ).
3. Промойте датчик дистиллированной водой и поместите его в первую калибровочную пробирку. Убедитесь, что в мембране нет пузырьков воздуха.
4. Нажмите  для измерения первого калибровочного раствора. Будет показан следующий калибровочный раствор.

5. Промойте датчик дистиллированной водой и поместите его во вторую калибровочную пробирку. Убедитесь, что в мембране нет пузырьков воздуха.
6. Нажмите  для измерения второго калибровочного раствора. Будет показан следующий калибровочный раствор.
7. Промойте датчик дистиллированной водой и поместите его в третью калибровочную пробирку. Убедитесь, что в мембране нет пузырьков воздуха.
8. Нажмите  для измерения третьего калибровочного раствора. Если калибровка правильная, на дисплее на короткое время будет выведено 3rd Buffer OK (3-й буфер ОК), после чего система вернется в главное меню.

Просмотр данных калибровки


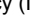
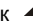

Данные последней калибровки можно просмотреть.

1. Из главного меню нажмите .
2. Используйте  для просмотра последних данных калибровки. Прибор автоматически вернется через 3 секунды к экрану измерения.

Установка оповещения о калибровке

Оповещение о калибровке может быть установлено в пределах от 0 до 23 часов или от 1 до 7 дней (по умолчанию 1 день). На экран прибора выводится время, оставшееся до новой калибровки.

Примечание: При выборе значения 0 дней оповещение отключается.

1. В главном меню нажмите , затем нажимайте  до появления на экране сообщения Cal. frequency (Периодичность калибровки).
2. При помощи кнопок  и  измените значение. Прибор автоматически вернется через 3 секунды к экрану измерения.

Измерения образцов

При измерении образцов для каждого датчика существуют свои подготовительные операции и процедуры. Пошаговые инструкции см. в документации, прилагаемой к датчику.

Примечание: При измерении растворов необходимо перемешивать. Подробнее о настройках мешалки см. [Изменение настроек мешалки на стр. 203](#).

Примечание: Температура не показывается во время измерения ОВП (мВ), если датчик температуры не подключен.

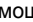
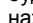



Нажмите "pH" или "ORP (mV)" (ОВП, мВ) для измерения пробы. Во время измерения параметр мигает, а таймер показывает время стабилизации. Чтобы изменить параметр измерения (если применимо), нажмите и удерживайте "pH" или "ORP (mV)" (ОВП, мВ).

Для непрерывного измерения образца нажмите "pH" или "ORP (mV)" (ОВП, мВ), чтобы начать измерение, повторно нажмите "pH" или "ORP (mV)" (ОВП, мВ) во время стабилизации. Мигание параметра означает режим непрерывного измерения.

Расширенные функции

Изменение даты и времени

Дату и время можно настроить в меню Date and Time (Дата и время).

1. При помощи кнопки  войдите в меню даты и времени. Формат даты и времени: дд-мм-ггг 24 ч. Изменяемые атрибуты будут автоматически подчеркнуты, и будет выполнен переход к следующему атрибуту, если не будут нажаты кнопки  или .
2. Для изменения атрибута нажимайте  и , когда выделен подчеркнутый атрибут. Текущие дата и время будут выведены на экран.

Настройте контрастность дисплея

1. Нажмите одновременно ▲ и ▼ для перехода в меню контрастности дисплея.
2. При помощи кнопок ▲ и ▼ настройте контрастность дисплея. Прибор автоматически вернется через 3 секунды к экрану измерения.

Изменение настроек мешалки

Скорость мешалки можно изменить в ходе калибровки или измерения.

1. Нажмите $\frac{\%}{\text{с}}$ в ходе калибровки или измерения для входа в меню мешалки.
2. При помощи кнопок ▲ и ▼ измените значение скорости мешалки в %.

Изменение единиц температуры

В качестве единиц температуры можно установить градусы Цельсия или Фаренгейта.

1. На главном экране нажмите $\frac{\%}{\text{с}}$.
2. Нажатием $\frac{\%}{\text{с}}$ выберите Celsius (Цельсия) или Fahrenheit (Фаренгейта).

Обслуживание

▲ ОСТОРОЖНО



Различные опасности. Работы, описываемые в данном разделе, должны выполняться только квалифицированным персоналом.

УВЕДОМЛЕНИЕ

Не разбирайте прибор для обслуживания. При необходимости очистки или ремонта внутренних компонентов обратитесь к производителю.

Очистка прибора

УВЕДОМЛЕНИЕ

Для очистки прибора, в том числе дисплея и принадлежностей, не допускается использование таких чистящих средств, как скипидар, ацетон и им подобных.

Внешние поверхности прибора можно очищать влажной тканью, смоченной слабым мыльным раствором.

Очистите датчик

Очистите датчик при необходимости. Дополнительную информацию об очистке см. в разделе [Поиск и устранение неисправностей](#) на стр. 205. Сведения об обслуживании датчика приводятся в документации к нему.

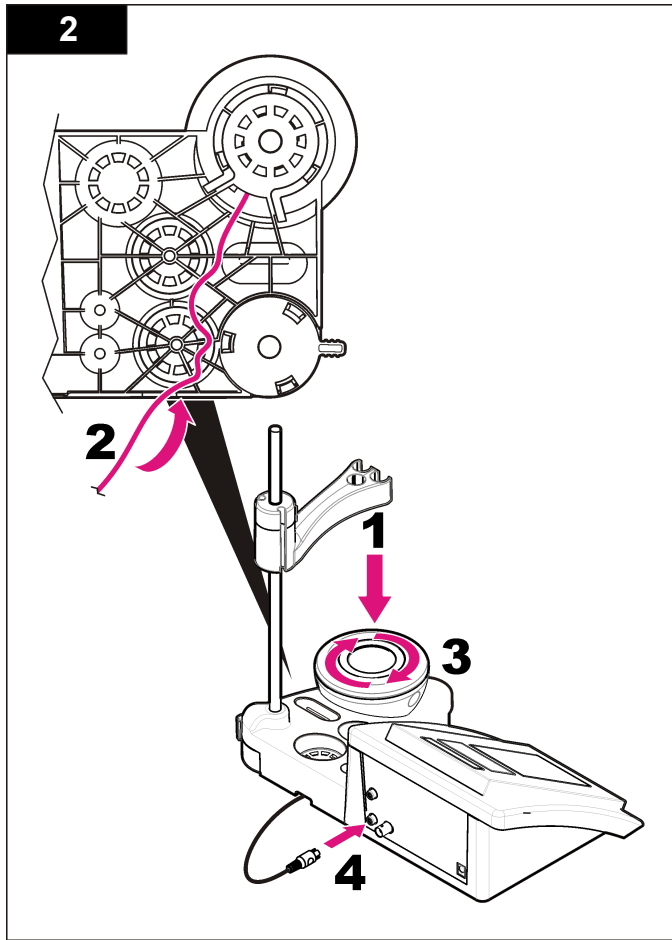
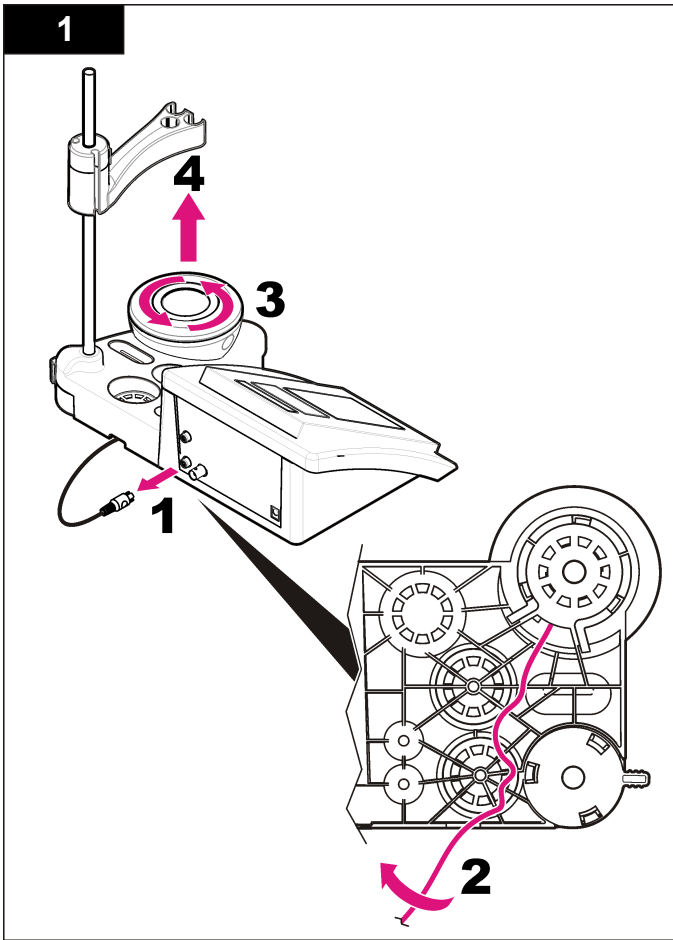
Для удаления загрязнений с датчика pH используются моющие средства, указанные в [Таблица 1](#).

Таблица 1 Моющие средства для датчика pH

| Загрязнение | Моющее средство |
|---------------------|-------------------------------|
| Белок | Пепсиновый очищающий раствор |
| Смазка, масла, жиры | Электродный очищающий раствор |
| Накипь | Раствор 0,1 N HCl |

Замена магнитной мешалки

Если магнитная мешалка не запускается, выполните следующие действия для ее замены.



Поиск и устранение неисправностей

В данной таблице перечислены наиболее распространенные сообщения о неполадках и их характерные признаки, а также возможные причины и необходимые действия для устранения.

Таблица 2 Предупреждения и ошибки при калибровке



| Ошибка/Предупреждение | Способ устранения |
|--|--|
| Asymmetry > 58 mV (Асимметрия > 58 мВ) | Выход наклона за пределы диапазона (допустимые значения ± 58 мВ). Повторите с  . Подключите новый датчик. |
| Buffer or electrode in poor conditions (Буферный раствор или электрод дефективен). | Повторите с  . Проверьте датчик: очистите датчик (см. дополнительные сведения в Очистите датчик на стр. 203); убедитесь, что в мембране нет пузырьков воздуха. Покачайте датчик как термометр; подключите к прибору другой датчик, чтобы определить источник проблемы - в датчике или в приборе. Проверьте буферный раствор: убедитесь, что используемый буферный раствор соответствует установленному в настройках; проверьте настройки температуры в конфигурации; используйте новый буферный раствор. |
| Sens. (Чувств.) (a) < 70% | |
| BUFFER NOT RECOGNIZED (БУФЕРНЫЙ РАСТВОР НЕ РАСПОЗНАН) | |

Таблица 2 Предупреждения и ошибки при калибровке (продолжение)




| Ошибка/Предупреждение | Способ устранения |
|--|---|
| UNSTABLE READING (НЕСТАБИЛЬНЫЕ ПОКАЗАНИЯ) Time > 100 s (Время t > 100 с) | Повторите с  . Проверьте датчик: очистите датчик (см. дополнительные сведения в Очистите датчик на стр. 203); убедитесь, что в мембране нет пузырьков воздуха. Покачайте датчик как термометр; подключите к прибору другой датчик, чтобы определить источник проблемы - в датчике или в приборе. Убедитесь, что мембрана и диафрагма правильно погружены в пробу. |
| Electrode in poor conditions (Электрод дефективен). | Проверьте датчик: очистите датчик (см. дополнительные сведения в Очистите датчик на стр. 203); убедитесь, что в мембране нет пузырьков воздуха. Покачайте датчик как термометр; подключите к прибору другой датчик, чтобы определить источник проблемы - в датчике или в приборе. |
| Проверьте электрод | |
| SAME BUFFERS (ОДИНАКОВЫЙ БУФЕР) | Повторите с  . Проверьте датчик: очистите датчик (см. дополнительные сведения в Очистите датчик на стр. 203); убедитесь, что в мембране нет пузырьков воздуха. Покачайте датчик как термометр; подключите к прибору другой датчик, чтобы определить источник проблемы - в датчике или в приборе. Проверьте буферный раствор: Используйте новый буферный раствор. |

Таблица 3 Предупреждения и ошибки при измерении

| Ошибка/Предупреждение | Способ устранения |
|--|--|
| pH 12,78 19°C | Повторите с  . |
| pH | Проверьте датчик: очистите датчик (см. дополнительные сведения в Очистите датчик на стр. 203); убедитесь, что в мембране нет пузырьков воздуха. Покачайте датчик как термометр; подключите к прибору другой датчик, чтобы определить источник проблемы - в датчике или в приборе. |
| Temp out of range °C (Температура °C вне пределов диапазона) | Проверьте датчик температуры Подключите к прибору другой датчик, чтобы определить источник проблемы - в датчике или в приборе. |
| Time > 150 s (Время > 150 с) | Убедитесь, что мембрана и диафрагма правильно погружены в пробу. Проверьте температуру. Проверьте датчик: очистите датчик (см. дополнительные сведения в Очистите датчик на стр. 203); убедитесь, что в мембране нет пузырьков воздуха. Покачайте датчик как термометр; подключите к прибору другой датчик, чтобы определить источник проблемы - в датчике или в приборе. |

Запасные части и принадлежности

Примечание: Номера изделия и товара могут меняться для некоторых регионов продаж. Свяжитесь с соответствующим дистрибьютором или см. контактную информацию на веб-сайте компании.

Запасные части

| Наименование | Изд. № |
|--|-----------------|
| sensION+ PH3 Лабораторный измеритель pH с обеспечением эффективного использования лабораторных методик, с принадлежностями, без датчика | LPV2000.98.0002 |
| sensION+ PH31 Лабораторный измеритель pH с обеспечением эффективного использования лабораторных методик, с принадлежностями, без датчика | LPV2100.98.0002 |
| sensION+ MM340 Лабораторный измеритель pH и иономер с обеспечением эффективного использования лабораторных методик, 2-канальный, с принадлежностями, без датчика | LPV2200.98.0002 |
| sensION+ EC7 Лабораторный измеритель проводимости, с принадлежностями, без датчика | LPV3010.98.0002 |
| sensION+ EC71 Лабораторный измеритель проводимости с обеспечением эффективного использования лабораторных методик, с принадлежностями, без датчика | LPV3110.98.0002 |
| sensION+ MM374, 2-канальный лабораторный измерительный прибор с обеспечением эффективного использования лабораторных методик, с принадлежностями, без датчика | LPV4110.98.0002 |

Расходные материалы

| Наименование | Изд. № |
|-----------------------------------|------------|
| Буферный раствор pH 4,01, 125 мл | LZW9460.99 |
| Буферный раствор pH 7,00, 125 мл | LZW9461.98 |
| Буферный раствор pH 10,01, 125 мл | LZW9470.99 |
| Буферный раствор pH 4,01, 250 мл | LZW9463.99 |
| Буферный раствор pH 7,00, 250 мл | LZW9464.98 |

Расходные материалы (продолжение)

| Наименование | Изд. № |
|--------------------------------------|------------|
| Буферный раствор pH 10,01, 250 мл | LZW9471.99 |
| Буферный раствор pH 4,01, 1000 мл | LZW9466.99 |
| Буферный раствор pH 7,00, 1000 мл | LZW9467.98 |
| Буферный раствор pH 10,01, 1000 мл | LZW9472.99 |
| Раствор электролита (KCl 3M), 125 мл | LZW9510.99 |
| Раствор электролита (KCl 3M), 250 мл | LZW9500.99 |
| Раствор электролита (KCl 3M), 50 мл | LZW9509.99 |
| Раствор электролита 0,1 M, 125 мл | LZW9901.99 |
| Раствор фермента | 2964349 |
| Пепсиновый очищающий раствор | 2964349 |
| Электродный очищающий раствор | 2965249 |
| Раствор 0,1 N HCl | 1481253 |

Принадлежности

| Наименование | Изд. № |
|--|------------|
| Магнитная мешалка с держателем датчика для настольных приборов sensION+ MM | LZW9319.99 |
| Мензурки 3x50 мл с маркировкой для калибровки настольных измерителей pH | LZW9110.98 |
| Держатель трех датчиков для настольных приборов sensION+ | LZW9321.99 |
| Держатель и хомут для трех датчиков | LZW9155.99 |

Принадлежности (продолжение)

| Наименование | Изд. № |
|--|------------|
| Камера из пирекса для непрерывных проточных измерений | LZW9118.99 |
| Полипропиленовое защитное устройство для хранения электродов | LZW9161.99 |

Стандартные растворы

Технические буферные растворы (DIN 19267)

Таблица 4 содержит значения pH и ОВП (мВ) для указанных наборов буферных растворов при различных температурах.

Таблица 4 Значения pH, ОВП (мВ) и температуры

| Температура | | pH | | | | | ОВП мВ |
|-------------|-----------|-------------|-------------|-------------|-------------|--------------|------------|
| °C | °F | | | | | | |
| 0 | 32 | 2,01 | 4,01 | 7,12 | 9,52 | 10,30 | — |
| 10 | 50 | 2,01 | 4,00 | 7,06 | 9,38 | 10,17 | 245 |
| 20 | 68 | 2,00 | 4,00 | 7,02 | 9,26 | 10,06 | 228 |
| 25 | 77 | 2,00 | 4,01 | 7,00 | 9,21 | 10,01 | 220 |
| 30 | 86 | 2,00 | 4,01 | 6,99 | 9,16 | 9,96 | 212 |
| 40 | 104 | 2,00 | 4,03 | 6,97 | 9,06 | 9,88 | 195 |
| 50 | 122 | 2,00 | 4,06 | 6,97 | 8,99 | 9,82 | 178 |
| 60 | 140 | 2,00 | 4,10 | 6,98 | 8,93 | 9,76 | 160 |
| 70 | 158 | 2,01 | 4,16 | 7,00 | 8,88 | — | — |
| 80 | 176 | 2,01 | 4,22 | 7,04 | 8,83 | — | — |
| 90 | 194 | 2,01 | 4,30 | 7,09 | 8,79 | — | — |

Teknik Özellikler

Teknik özellikler, önceden bildirilmeksizin değiştirilebilir.

| Teknik Özellikler | Ayrıntılar |
|--------------------------------|--|
| Boyutlar | 35 x 20 x 11 cm (13.78 x 7.87 x 4.33 inç) |
| Ağırlık | 1100 g (2,43 lb) |
| Cihaz muhafazası | IP42 |
| Güç gereksinimleri (dış) | 100–240 V, 0,4 A, 47-63 Hz |
| Ölçüm cihazı koruma sınıfı | Sınıf II |
| Saklama sıcaklığı | -15 - +65 °C (5 - +149 °F) |
| Çalışma sıcaklığı | 0 - 40 °C (41 - 104 °F) |
| Çalışma nem oranı | < % 80 (yoğunlaşmayan) |
| Çözünürlük | pH: 0.01, ORP: 1 mV, sıcaklık: 0,1 °C (0,18 °F) |
| Ölçüm hatası (± 1 rakam) | pH: ≤ 0.01, ORP: ≤ 1 mV, sıcaklık: ≤ 0,2 °C (≤ 0,36 °F) |
| Tekrarlanabilirlik (± 1 rakam) | pH: ± 0.01, ORP: ± 1 mV, sıcaklık: ± 0,1 °C (± 0,18 °F) |
| Bağlantılar | Kombine veya indikatör prob: BNC konektör (Emp. >10 ¹² Ω); Referans elektrot: muz konektör; A.T.C. tip Pt 1000: muz veya telefonik konektör; manyetik karıştırıcı: RCA konektör |
| Sıcaklık düzeltmesi | Manuel, Pt 1000 sıcaklık probu (A.T.C.), NTC 10 kΩ prob |
| Ölçüm ekranı modu | Sürekli ölçüm, stabiliteye göre |
| Ekran | Sıvı kristal, arkadan aydınlatmalı, 128 x 64 nokta |
| Klavye | Koruyucu işlem uygulanmış PET |
| Belgelendirme | CE |

Genel Bilgiler

Güncellenmiş basımlara, üreticinin web sitesinden ulaşılabilir.

Güvenlik bilgileri

BİLGİ

Üretici, doğrudan, arızı ve sonuç olarak ortaya çıkan zararlar dahil olacak ancak bunlarla sınırlı olmayacak şekilde bu ürünün hatalı uygulanması veya kullanılmasından kaynaklanan hiçbir zarardan sorumlu değildir ve yürürlükteki yasaların izin verdiği ölçüde bu tür zararları reddeder. Kritik uygulama risklerini tanımlamak ve olası bir cihaz arızasında prosesleri koruyabilmek için uygun mekanizmaların bulunmasını sağlamak yalnızca kullanıcının sorumluluğundadır.

Bu cihazı paketinden çıkarmadan, kurmadan veya çalıştırmadan önce lütfen bu kılavuzun tümünü okuyun. Tehlikeler ve uyarılarla ilgili tüm ifadeleri dikkate alın. Aksi halde, kullanıcının ciddi şekilde yaralanması ya da ekipmanın hasar görmesi söz konusu olabilir.

Bu cihazın korumasının bozulmadığından emin olun. Cihazı bu kılavuzda belirtilenden başka bir şekilde kullanmayın veya kurmayın.

Tehlikeyle ilgili bilgilerin kullanılması

⚠ TEHLİKE

Olması muhtemel veya yakın bir zamanda olmasından korkulan, engellenmediği takdirde ölüm veya ciddi yaralanmaya neden olacak tehlikeli bir durumu belirtir.

⚠ UYARI

Önlenmemesi durumunda ciddi yaralanmalar veya ölümlerle sonuçlanabilecek potansiyel veya yakın bir zamanda meydana gelmesi beklenen tehlikeli durumların mevcut olduğunu gösterir.

⚠ DİKKAT



Daha küçük veya orta derecede yaralanmalarla sonuçlanabilecek potansiyel bir tehlikeli durumu gösterir.

BİLGİ

Engellenmediği takdirde cihazda hasara neden olabilecek bir durumu belirtir. Özel olarak vurgulanması gereken bilgiler.

Önlem etiketleri

Cihazın üzerindeki tüm etiketleri okuyun. Talimatlara uyulmadığı takdirde yaralanma ya da cihazda hasar meydana gelebilir. Cihaz üzerindeki bir sembol, kılavuzda bir önlem ibaresiyle belirtilir.

| | |
|---|---|
|  | Bu sembol cihazın üzerinde mevcutsa çalıştırma ve/veya güvenlik bilgileri için kullanım kılavuzuna referansta bulunur. |
|  | Bu simgeyi taşıyan elektrikli cihazlar, Avrupa evsel ya da kamu atık toplama sistemlerine atılamaz. Kullanım ömrünü doldurmuş cihazları, kullanıcı tarafından ücret ödenmesine gerek olmadan atılması için üreticiye iade edin. |

Ürüne genel bakış

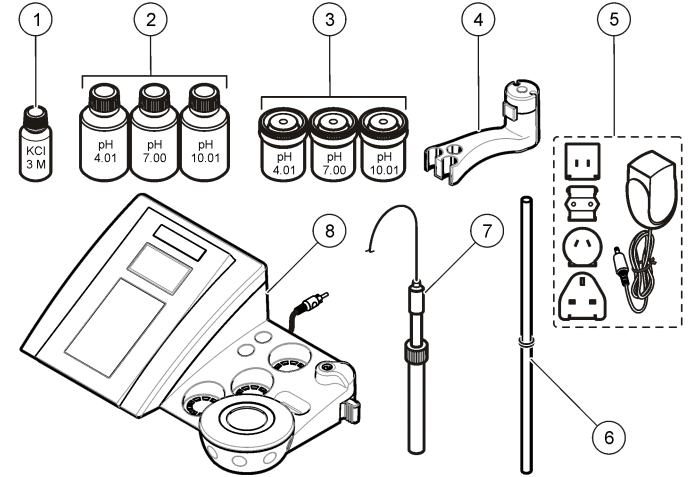
sensION™+ ölçüm cihazları sudaki çeşitli parametreleri ölçmek için prolarla kullanılır.

sensION™+ PH3 ölçüm cihazı pH, ORP (mV) ve sıcaklık ölçer.

Ürünün bileşenleri

Tüm bileşenlerin olduğundan emin olmak için bkz. [Şekil 1](#). Eksik veya hasarlı herhangi bir bileşen varsa, hemen üretici veya satış temsilcisiyle bağlantıya geçin.

Şekil 1 Ölçüm cihazı bileşenleri

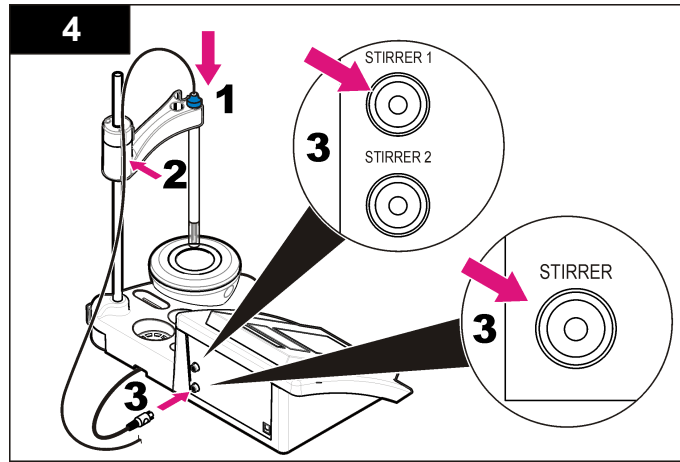
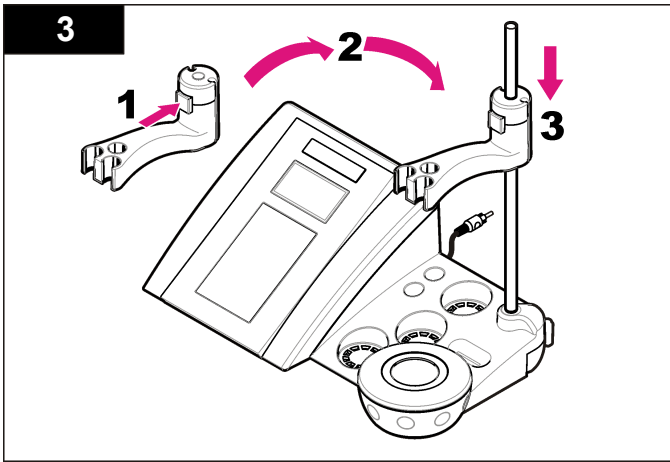
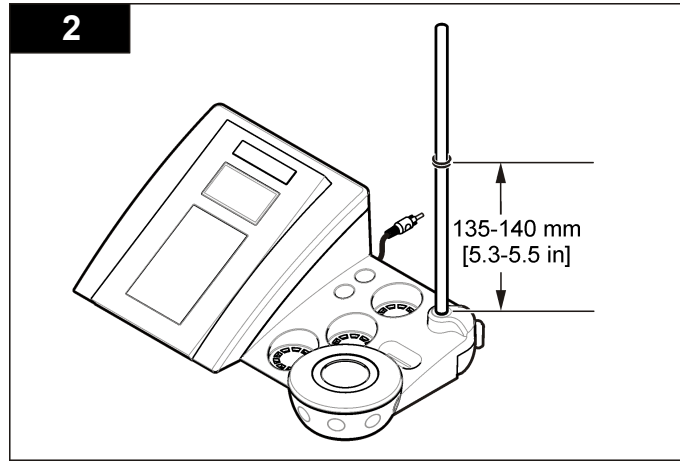
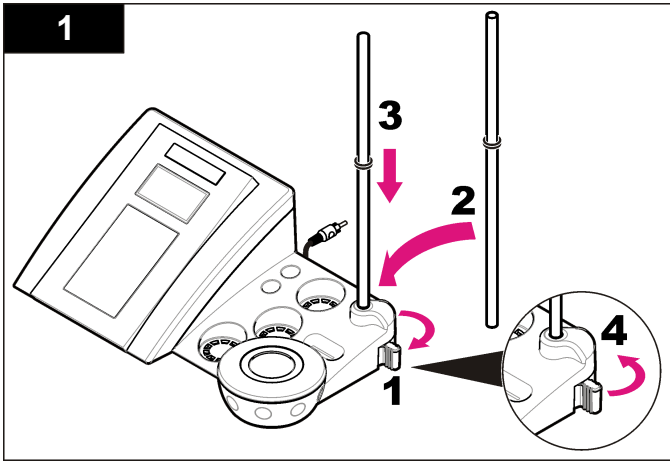


| | | | |
|---|---|---|---|
| 1 | Prob elektroliti | 5 | Güç kaynağı |
| 2 | Tampon çözeltileri (pH 4.01, pH 7.00 ve pH 10.01) | 6 | O-halkalı çubuk |
| 3 | Kalibrasyon kapları (içinde manyetik çubukla) | 7 | Prob (yalnızca kitlerle birlikte verilir) |
| 4 | Prob tutucu | 8 | Cihaz |

Kurulum

Prob tutucunun montajı

Prob tutucuyu monte etmek ve manyetik karıştırıcıyı bağlamak için aşağıda numaralandırılmış adımları uygulayın.



AC gücüne bağlama

⚠ TEHLİKE

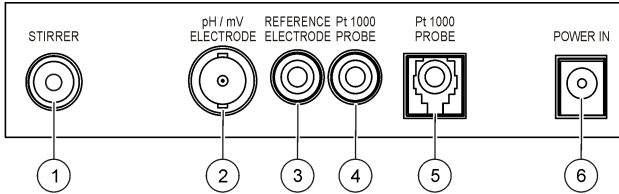


Elektrik Çarpması Nedeniyle Ölüm Tehlikesi. Cihaz dış mekanlarda ya da ıslak olabilecek yerlerde kullanılıyorsa, cihazı ana elektrik kaynağına bağlamak için bir Toprak Hatası Elektrik Şebekesini Kesme cihazı kullanılmalıdır.

Ölçüm cihazı, evrensel güç adaptörüyle AC gücüyle çalışabilir.

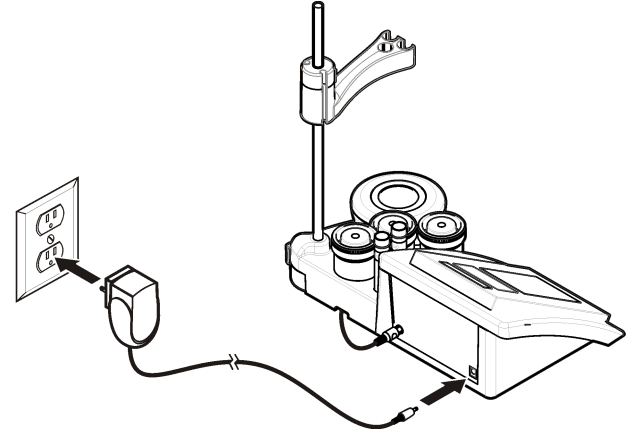
1. Adaptör setinden güç çıkışına uygun olan adaptörü seçin.
2. Evrensel güç adaptörünü ölçüm cihazına (Şekil 2) bağlayın.
3. Evrensel güç adaptörünü AC duyunu (Şekil 3) bağlayın.
4. Ölçüm cihazını açın.

Şekil 2 Konektör paneli



| | |
|--|--------------------------------|
| 1 Manyetik karıştırıcı konektörü | 4 Sıcaklık prob konektörü |
| 2 Kombine pH elektrot (veya gösterge) konektörü | 5 Ayrı sıcaklık prob konektörü |
| 3 Referans elektrot (ayrı elektrotlar) konektörü | 6 Güç kaynağı |

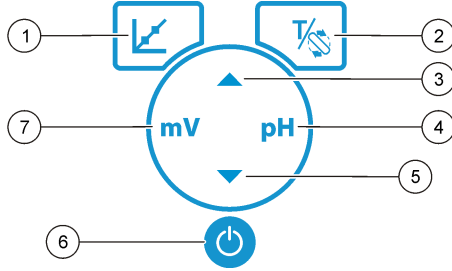
Şekil 3 AC güç bağlantısı



Kullanıcı arayüzü ve gezinme

Kullanıcı arayüzü

Tuş takımının tanımı

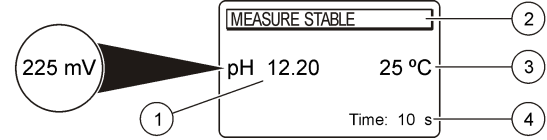


| | |
|---|---|
| 1 CALIBRATION (KALİBRASYON) tuşu: bir kalibrasyon başlatın, kalibrasyon verilerini görüntüleyin ve kalibrasyon sıklığını değiştirin | 5 DOWN (AŞAĞI) tuşu: diğer seçeneklere gidin, bir değeri değiştirin |
| 2 TEMPERATURE and STIRRER (SICAKLIK ve KARIŞTIRICI) tuşu: sıcaklığı (°C, °F) veya karıştırma hızını değiştirin | 6 AÇIK/KAPALI: cihazın açılması ve kapatılması |
| 3 UP (YUKARI) tuşu: diğer seçeneklere gidin, bir değeri değiştirin | 7 mV ölçüm tuşu: bir ORP (mV) ölçümü başlatın |
| 4 pH ölçüm tuşu: bir pH ölçümü başlatın | |

Ekran açıklaması

Ölçüm cihazı ekranı konsantrasyonu, birimleri, sıcaklığı, kalibrasyon durumunu, tarihi ve saati gösterir.

Şekil 4 Tek ekranda gösterim



| | |
|---|---------------------------------|
| 1 Ölçüm birimi ve değeri (pH, ORP (mV)) | 3 Numune sıcaklığı (°C veya °F) |
| 2 Ölçüm modu veya saat ve tarih | 4 Görsel ölçüm zamanlayıcı |

Gezinme

Probu kalibre etmek için kalibrasyon tuşunu kullanın. Bir numune ölçümü almak için parametre tuşunu kullanın. Sıcaklığı (°C, °F) veya karıştırma hızını değiştirmek için TEMPERATURE and STIRRER (SICAKLIK ve KARIŞTIRICI) tuşunu kullanın. Diğer seçenekler arasında gezinmek veya bir değeri değiştirmek için ok tuşlarını kullanın. Ekranlar hızlı bir şekilde değiştiği için görevler esnasında ekrana bakmayı unutmayın. Her işleme özel talimatlara bakın.

Başlatma

Cihazı açma ve kapatma

| |
|---|
| BILGI |
| Cihaz açılmadan önce probun cihaza takıldığından emin olun. |

Ölçüm cihazını açmak veya kapatmak için tuşuna basın. Cihaz açılmıyorsa AC güç kaynağının bir elektrik prizine düzgün biçimde bağlı olduğundan emin olun.

Dili değiştirme


Cihaz ilk kez açıldığında cihazın dili seçilir.

Listeden bir dil seçmek için ▲ veya ▼ tuşunu kullanın. 3 saniye sonra ölçüm cihazı otomatik olarak ölçüm ekranına döner.

Not: ▲ Ana menüden dili değiştirmek için tuşuna basın.

Standart karşılaştırma

Kalibrasyon

| ▲ TEHLİKE | |
|---|--|
|  | Kimyasal maddelere maruz kalma tehlikesi. Laboratuvar güvenlik talimatlarına uyun ve kullanılan kimyasallara uygun kişisel koruma ekipmanının tamamını kullanın. Güvenlik protokolleri için mevcut güvenlik bilgi formlarına (MSDS) bakın. |

Kalibrasyon prosedürü

Bu prosedür sıvı kalibrasyon çözeltileriyle genel kullanım içindir. Ek bilgi için her proba verilen belgelere başvurun.

Not: Çözeltiler kalibrasyon esnasında karıştırılmalıdır. Karıştırma ayarları hakkında daha fazla bilgi için, bkz. [Karıştırma ayarlarını değiştirme sayfa 214](#).

1. Tamponları ya da kalibrasyon çözeltilerini etiketlenmiş kalibrasyon kaplarına koyun.
2. pH veya mV kalibrasyonu için ana menüden ↗ tuşuna basın.
3. Probu deiyonize su ile durulayın ve probu ilk kalibrasyon kabının içine koyun. Membranda hava kabarcığı bulunmadığından emin olun.
4. İlk kalibrasyon çözeltisini ölçmek için ↗ tuşuna basın. Bir sonraki kalibrasyon çözeltisi gösterilir.
5. Probu deiyonize su ile durulayın ve probu ikinci kalibrasyon beherinin içine koyun. Membranda hava kabarcığı bulunmadığından emin olun.
6. İkinci kalibrasyon çözeltisini ölçmek için ↗ tuşuna basın. Bir sonraki kalibrasyon çözeltisi gösterilir.
7. Probu deiyonize su ile durulayın ve probu üçüncü kalibrasyon beherinin içine koyun. Membranda hava kabarcığı bulunmadığından emin olun.
8. Üçüncü kalibrasyon çözeltisini ölçmek için ↗ tuşuna basın.

Kalibrasyon iyi durumdayken ekranda kısa süreliğine 3rd Buffer OK (3. Tampon Tamam) yazısı belirir ve sonra ana menüye geçer.

Kalibrasyon verisini görüntüleme

En son kalibrasyondan kalan veri gösterilebilir.

1. Ana menü için ↗ ögesine basın.
2. Son kalibrasyon verilerini görüntülemek için ▼ ögesini kullanın. 3 saniye sonra ölçüm cihazı otomatik olarak ölçüm ekranına döner.

Kalibrasyon hatırlatıcısı ayarlama

Kalibrasyon hatırlatıcı, 0-23 saat veya 1-7 gün (varsayılan 1 gündür) arasında ayarlanabilir. Ekranda yeni kalibrasyon için kalan zaman gösterilir.

Not: 0 gün seçildiğinde, kalibrasyon hatırlatıcı kapatılır.

1. Ana menüden, Çal. frequency (Kalibrasyon sıklığı) ekranda görülene kadar ↗ ve ardından ▼ tuşuna basın.
2. Değeri değiştirmek için ▲ veya ▼ tuşunu kullanın. 3 saniye sonra ölçüm cihazı otomatik olarak ölçüm ekranına döner.

Numune ölçümleri

Her sondanın, numune ölçümler almak için belirli hazırlanma adımları ve yordamları vardır. Adım adım talimatlar için, sondayla verilen belgelere başvurun.

Not: Çözeltiler ölçüm esnasında karıştırılmalıdır. Karıştırma ayarları hakkında daha fazla bilgi için, bkz. [Karıştırma ayarlarını değiştirme sayfa 214](#).

Not: Sıcaklık probu bağlı değilken ORP (mV) ölçümü sırasında sıcaklık gösterilmez.

Numune ölçümü almak için pH veya ORP'ye (mV) basın. Ölçümler sırasında, parametre yanıp söner ve zamanlayıcı sabitlenme zamanını gösterir. Ölçüm parametresini değiştirmek için (seçenek varsa), pH veya ORP'ye (mV) basın ve basılı tutun.

Numuneyi sürekli olarak ölçmek için, pH/ORP'ye (mV) basarak ölçüm başlatın ve stabilizasyon sırasında pH/ORP'ye (mV) tekrar basın. Parametre sürekli ölçüm modunu belirtmek için yanıp söner.

Gelişmiş çalıştırma

Tarihi ve saati değiştirme

Tarih ve saat, Date and Time (Tarih ve Saat) menüsünden değiştirilebilir.


1. Date and Time (Tarih ve Saat) menüsüne girmek için ▼ tuşunu kullanın. Tarih ve saat formatı: gg-aa-yyyy 24sa
Değiştirilecek bir öznitelik otomatik olarak vurgulanır ve ▲ veya ▼ tuşuna basılmazsa bir sonraki özniteliğe geçer.
2. Bir özniteliği değiştirmek için vurgulanan öznitelik seçildiğinde, ▲ veya ▼ tuşuna basın.
Ekranda geçerli tarih ve saat gösterilecektir.

Ekran kontrastının ayarlanması

1. Display contrast (Ekran kontrastı) menüsüne girmek için aynı anda ▲ ve ▼ tuşlarına basın.
2. Ekranın kontrastını ayarlamak için ▲ veya ▼ tuşunu kullanın.
3 saniye sonra ölçüm cihazı otomatik olarak ölçüm ekranına döner.



Karıştırma ayarlarını değiştirme

Karıştırma hızı, kalibrasyon ve ölçüm esnasında değiştirilebilir.

1. Stirring (Karıştırma) menüsüne girmek için kalibrasyon veya ölçüm esnasında  tuşuna basın.
2. Karıştırma hızını % olarak değiştirmek için ▲ veya ▼ tuşunu kullanın.

Sıcaklık birimlerini değiştirme

Sıcaklık birimleri Celsius veya Fahrenheit olarak değiştirilebilir.

1. Ana ekrandan  tuşuna basın.
2. Celsius veya Fahrenheit arasında seçim yapmak için  tuşuna basın.

Bakım

⚠ DİKKAT



Birden fazla tehlike. Belgenin bu bölümünde açıklanan görevleri yalnızca yetkili personel gerçekleştirmelidir.

BİLGİ

Cihazı bakım için demonte etmeyin. Dahili bileşenlerin temizlenmesi ya da onarılması gerektiğinde üreticinize başvurun.

Cihazın temizlenmesi

BİLGİ

Cihazı, ekranını ve aksesuarlarını temizlemek için kesinlikle terebentin, aseton veya benzeri temizlik malzemelerini kullanmayın.

Cihazın dışını nemli bezle ve hafif sabunlu bir çözeltiyle temizleyin.

Probu temizleme

Gerekli olduğunda probu temizleyin. Temizleme hakkında daha fazla bilgi için bkz. [Sorun giderme](#) sayfa 216. Prob bakımı hakkında bilgi almak için prob ile verilen belgelere başvurun.

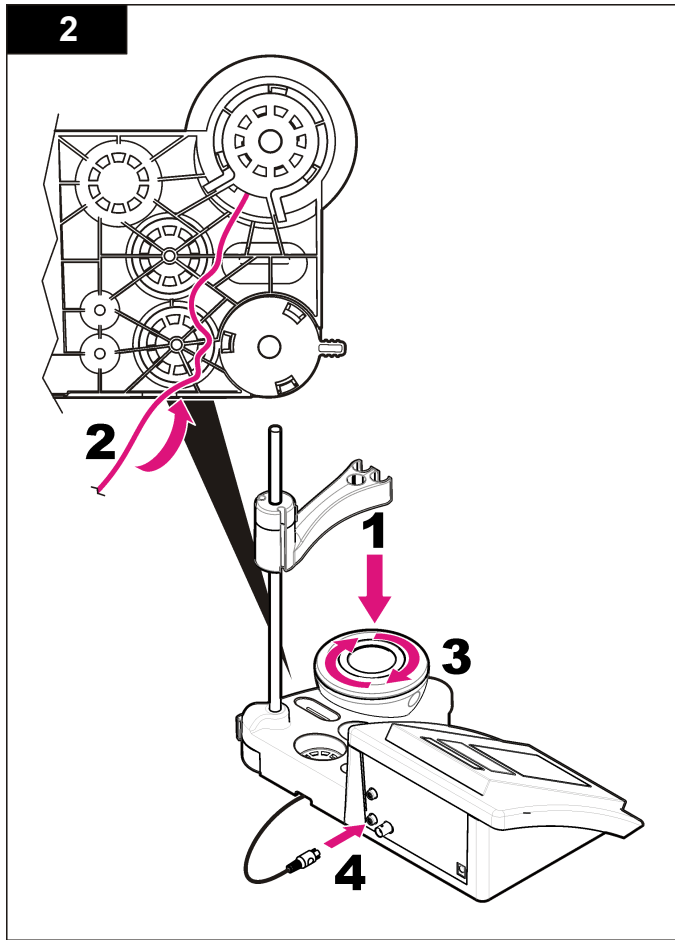
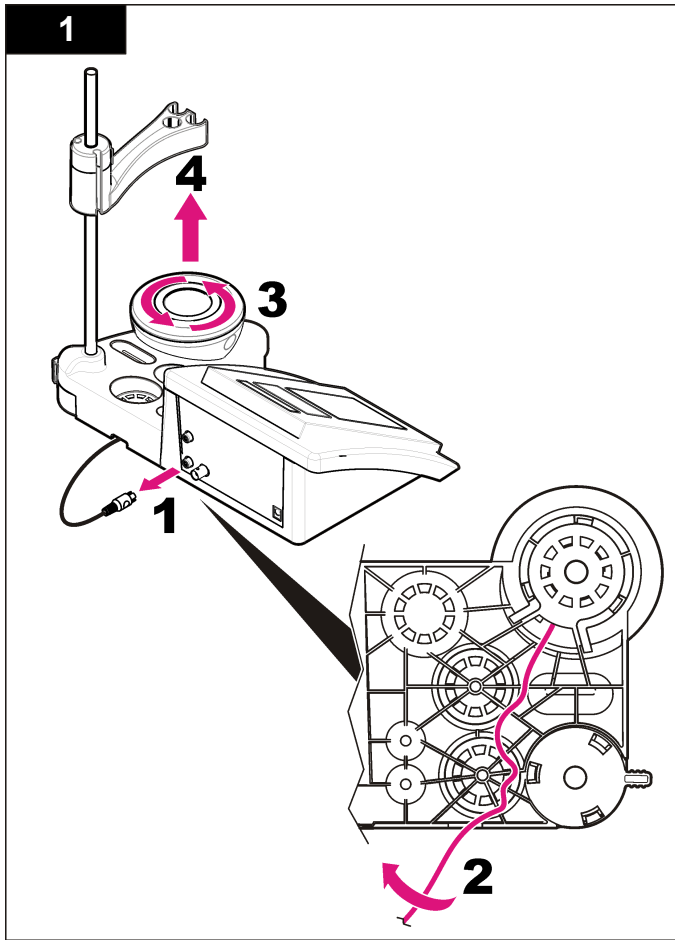
pH probunun kirlenmesini engellemek için [Tablo 1](#) ögesinde listelenen temizlik maddelerini kullanın.

Tablo 1 pH probu için temizlik maddeleri

| Kirillik | Temizlik maddeleri |
|--------------------------------|------------------------------|
| Proteinler | Pepsin temizleme çözeltisi |
| Gres, sıvı yağlar, katı yağlar | Elektrot temizleme çözeltisi |
| Kireç | 0,1 N HCl çözelti |

Manyetik karıştırıcıyı değiştirme

Manyetik karıştırıcı çalışmazsa karıştırıcıyı değiştirmek için adımları uygulayın.



Sorun giderme

Sık karşılaşılan sorun mesajları ya da belirtileri, olası nedenleri ve düzeltici işlemleri için aşağıdaki tabloya bakın.

Tablo 2 Kalibrasyon uyarıları ve hataları

| Hata/Uyarı | Çözüm |
|--|--|
| Asymmetry > 58 mV (Asimetri > 58 mV) | Eğim aralık dışında (kabul edilen değerler ± 58 mV). ↙ tuşuyla tekrarlayın. Yeni bir prob bağlayın. |
| Buffer or electrode in poor conditions (Tampon veya elektrot kötü durumda). | ↙ tuşuyla tekrarlayın. Probu inceleyin: Probu temizleyin (daha fazla bilgi için, bkz. Probu temizleme sayfa 214); membranda hava kabarcığı olmadığından emin olun. Probu termometreyi sallarsa gibi sallayın; Sorunun probda mı, yoksa ölçüm cihazında mı olduğunu anlamak için farklı bir prob bağlayın. |
| Sens. (a) (Hassasiyet (a)) < % 70 | Tampon çözeltiyi inceleyin: Kullanılan tamponun, yapılandırılmada belirtilen tamponla eşleştiğinden emin olun; yapılandırılmada yer alan sıcaklık spesifikasyonundan emin olun; yeni tampon çözeltisi kullanın. |
| BUFFER NOT RECOGNIZED (TAMPON TANINMADI) | ↙ tuşuyla tekrarlayın. |
| UNSTABLE READING (STABİL OLMAYAN OKUMA) Time > 100 s (Zaman > 100 s) | ↙ tuşuyla tekrarlayın. Probu inceleyin: Probu temizleyin (daha fazla bilgi için, bkz. Probu temizleme sayfa 214); membranda hava kabarcığı olmadığından emin olun. Probu termometreyi sallarsa gibi sallayın; sorunun probda mı, yoksa ölçüm cihazında mı olduğunu anlamak için farklı bir prob bağlayın. Membranın ve diyaframın, numuneye doğru şekilde batırıldığından emin olun. |

Tablo 2 Kalibrasyon uyarıları ve hataları (devamı)

| Hata/Uyarı | Çözüm |
|---|---|
| Electrode in poor conditions (Elektrot kötü durumda). | Probu inceleyin: Probu temizleyin (daha fazla bilgi için, bkz. Probu temizleme sayfa 214); membranda hava kabarcığı olmadığından emin olun. Probu termometreyi sallarsa gibi sallayın; sorunun probda mı, yoksa ölçüm cihazında mı olduğunu anlamak için farklı bir prob bağlayın. |
| Check the electrode (Elektrodu kontrol edin) | ↙ tuşuyla tekrarlayın. |
| SAME BUFFERS (AYNI TAMPONLAR) | ↙ tuşuyla tekrarlayın. Probu inceleyin: Probu temizleyin (daha fazla bilgi için, bkz. Probu temizleme sayfa 214); membranda hava kabarcığı olmadığından emin olun. Probu termometreyi sallarsa gibi sallayın; sorunun probda mı, yoksa ölçüm cihazında mı olduğunu anlamak için farklı bir prob bağlayın. Tampon çözeltiyi inceleyin: Yeni tampon çözeltisi kullanın. |

Tablo 3 Ölçüm uyarıları ve hataları

| Hata/Uyarı | Çözüm |
|---|--|
| pH 12,78 19°C | ↙ tuşuyla tekrarlayın. |
| pH out of range (pH aralığının dışında) | Probu inceleyin: Probu temizleyin (daha fazla bilgi için, bkz. Probu temizleme sayfa 214); membranda hava kabarcığı olmadığından emin olun. Probu termometreyi sallarsa gibi sallayın; sorunun probda mı, yoksa ölçüm cihazında mı olduğunu anlamak için farklı bir prob bağlayın. |

Tablo 3 Ölçüm uyarıları ve hataları (devamı)

| Hata/Uyarı | Çözüm |
|---|---|
| Temp out of range °C (Sıcaklık aralığın dışında) | Sıcaklık sensörünü inceleyin. Sorunun probda mı yoksa cihazda mı olduğunu anlamak için farklı bir probu takın. |
| Time > 150 s (Zaman > 150 s) | Membranın ve diyaframın, numuneye doğru şekilde batırıldığından emin olun. Sıcaklığı inceleyin. Probu inceleyin: Probu temizleyin (daha fazla bilgi için, bkz. Probu temizleme sayfa 214); membranda hava kabarcığı olmadığından emin olun. Probu termometreyi salları gibi sallayın; sorunun probda mı, yoksa ölçüm cihazında mı olduğunu anlamak için farklı bir prob bağlayın. |

Yedek Parçalar ve Aksesuarlar

Not: Bazı satış bölgelerinde Ürün ve Madde numaraları değişebilir. İrtibat bilgileri için uygun distribütörle bağlantı kurun veya şirketin web sitesine başvurun.

Yedek parçalar

| Açıklama | Öğe no. |
|---|-----------------|
| sensION+ PH3 Lab pH ölçüm cihazı, aksesuarlar dahil, prob hariç | LPV2000.98.0002 |
| sensION+ PH31 Lab pH-ölçüm cihazı, GLP, aksesuarlar dahil, prob hariç | LPV2100.98.0002 |
| sensION+ MM340 Lab pH ve İyon ölçüm cihazı, GLP, 2 kanallı, aksesuarlar dahil, prob hariç | LPV2200.98.0002 |
| sensION+ EC7 Lab iletkenlik ölçüm cihazı, aksesuarlar dahil, prob hariç | LPV3010.98.0002 |
| sensION+ EC71 Lab iletkenlik ölçüm cihazı, GLP, aksesuarlar dahil, prob hariç | LPV3110.98.0002 |
| sensION+ MM374, 2 kanallı Lab ölçüm cihazı, GLP, aksesuarlar dahil, prob hariç | LPV4110.98.0002 |

Sarf malzemeler

| Açıklama | Öğe no. |
|-------------------------------------|------------|
| pH tampon çözeltisi 4.01, 125 mL | LZW9460.99 |
| pH tampon çözeltisi 7.00, 125 mL | LZW9461.98 |
| pH tampon çözeltisi 10.01, 125 mL | LZW9470.99 |
| pH tampon çözeltisi 4.01, 250 mL | LZW9463.99 |
| pH tampon çözeltisi 7.00, 250 mL | LZW9464.98 |
| pH tampon çözeltisi 10.01, 250 mL | LZW9471.99 |
| pH tampon çözeltisi 4.01, 1000 mL | LZW9466.99 |
| pH tampon çözeltisi 7.00, 1000 mL | LZW9467.98 |
| pH tampon çözeltisi 10.01, 1000 mL | LZW9472.99 |
| Elektrolit çözelti (KCl 3M), 125 mL | LZW9510.99 |
| Elektrolit çözelti (KCl 3M), 250 mL | LZW9500.99 |
| Elektrolit çözelti (KCl 3M), 50 mL | LZW9509.99 |
| Elektrolit çözelti 0,1 M, 125 mL | LZW9901.99 |
| Enzim çözeltisi | 2964349 |
| Pepsin Temizleme Çözeltisi | 2964349 |
| Elektrot temizleme çözeltisi | 2965249 |
| 0,1 N HCl çözeltisi | 1481253 |

Aksesuarlar

| Açıklama | Öğe no. |
|---|------------|
| Sensör tutuculu manyetik karıştırıcı, sensION+ MM masaüstü için | LZW9319.99 |
| masaüstü pH kalibrasyonu için 3x50 mL basılı beher | LZW9110.98 |
| Prob tutucu (3 prob için), sensION+ masaüstü aletleri için | LZW9321.99 |

Aksesuarlar (devamı)

| Açıklama | Öge no. |
|--|------------|
| Üç prob için tutucu ve kelepçe | LZW9155.99 |
| Pyrex cam aparat, sürekli akış ölçümleri | LZW9118.99 |
| PP koruyucu, elektrot saklama | LZW9161.99 |

Standart çözeltiler

Teknik tampon çözeltiler (DIN 19267)

Spesifik tampon setlerinin çeşitli sıcaklıklardaki pH ve ORP (mV) değerleri için bkz. [Tablo 4](#).

Tablo 4 pH, ORP (mV) ve sıcaklık değerleri

| Sıcaklık | | pH | | | | | mV |
|-----------|-----------|-------------|-------------|-------------|-------------|--------------|------------|
| °C | °F | | | | | | |
| 0 | 32 | 2,01 | 4,01 | 7,12 | 9,52 | 10,30 | — |
| 10 | 50 | 2,01 | 4,00 | 7,06 | 9,38 | 10,17 | 245 |
| 20 | 68 | 2,00 | 4,00 | 7,02 | 9,26 | 10,06 | 228 |
| 25 | 77 | 2,00 | 4,01 | 7,00 | 9,21 | 10,01 | 220 |
| 30 | 86 | 2,00 | 4,01 | 6,99 | 9,16 | 9,96 | 212 |
| 40 | 104 | 2,00 | 4,03 | 6,97 | 9,06 | 9,88 | 195 |
| 50 | 122 | 2,00 | 4,06 | 6,97 | 8,99 | 9,82 | 178 |
| 60 | 140 | 2,00 | 4,10 | 6,98 | 8,93 | 9,76 | 160 |
| 70 | 158 | 2,01 | 4,16 | 7,00 | 8,88 | — | — |
| 80 | 176 | 2,01 | 4,22 | 7,04 | 8,83 | — | — |
| 90 | 194 | 2,01 | 4,30 | 7,09 | 8,79 | — | — |

Technické údaje

Technické údaje podliehajú zmenám bez upozornenia.

| Technický údaj | Podrobnosti |
|------------------------------------|--|
| Rozmery | 35 x 20 x 11 cm (13,78 x 7,87 x 4,33 palca) |
| Hmotnosť | 1 100 g (2,43 libry) |
| Kryt meracieho prístroja | IP42 |
| Požiadavky na napájanie (externé) | 100 – 240 V, 0,4 A, 47 – 63 Hz |
| Trieda ochrany meracieho prístroja | Trieda II |
| Teplota skladovania | -15 až +65 °C (5 až +149 °F) |
| Prevádzková teplota | 0 až 40 °C (41 až 104 °F) |
| Prevádzková vlhkosť | < 80 % (bez kondenzácie) |
| Rozlíšenie | pH: 0.01, ORP: 1 mV, teplota: 0,1 °C (0,18 °F) |
| Chyba merania (± 1 číslica) | pH: ≤ 0.01, ORP: ≤ 1 mV, teplota: ≤ 0,2 °C (≤ 0,36 °F) |
| Reprodukovateľnosť (± 1 číslica) | pH: ± 0.01, ORP: ± 1 mV, teplota: ± 0,1 °C (± 0,18 °F) |
| Zapojenia | kombinovaná sonda alebo sonda indikátora: konektor BNC (Imp. > 10 ¹² Ω); referenčná elektróda: banánový konektor; ATC typ Pt 1000: banánový alebo telefónny konektor; magnetické miešadlo: konektor RCA |
| Korekcia teploty | Manuálna, teplotná sonda Pt 1000 (ATC), sonda NTC 10 kΩ |
| Zámok meracieho displeja | Nepretržité meranie, podľa stability |
| Displej | Tekutý kryštál, zadné nasvietenie, 128 x 64 bodov |

| Technický údaj | Podrobnosti |
|----------------|-------------------------|
| Klávesnica | PET s ochrannou úpravou |
| Certifikáty | CE |

Všeobecné informácie

Revidované vydania sú k dispozícii na webových stránkach výrobcu.

Bezpečnostné informácie

POZNAMKA

Výrobca nie je zodpovedný za škody spôsobené nesprávnym alebo chybným používaním tohto zariadenia vrátane, okrem iného, priame, náhodné a následné škody, a odmieta zodpovednosť za takéto škody v plnom rozsahu povolenom príslušným zákonom. Používateľ je výhradne zodpovedný za určenie kritického rizika pri používaní a zavedenie náležitých opatrení na ochranu procesov počas prípadnej poruchy prístroja.

Pred vybalením, nastavením alebo prevádzkou tohto zariadenia si prečítajte prosím celý návod. Venujte pozornosť všetkým výstrahám a upozorneniam na nebezpečenstvo. Zanedbanie môže mať za následok vznik vážnych zranení obsluhy alebo poškodenie zariadenia.

Ak si chcete byť istí, že ochrana tohto zariadenia nebude porušená, nepoužívajte ani nemontujte toto zariadenie iným spôsobom, ako je uvedený v tomto návode.

Informácie o možnom nebezpečenstve

⚠ NEBEZPEČIE

Označuje potenciálne alebo bezprostredne nebezpečnú situáciu, ktorá, ak sa jej nezabráni, spôsobí smrť alebo vážne zranenie.

⚠ VAROVANIE

Označuje potenciálne alebo bezprostredne nebezpečnú situáciu, ktorá, ak sa jej nezabráni, by mohla spôsobiť smrť alebo vážne zranenie.

▲ UPOZORNENIE



Označuje potenciálne ohrozenie s možným ľahkým alebo stredne ťažkým poranením.

POZNAMKA

Označuje situáciu, ktorá, ak sa jej nezabráni, môže spôsobiť poškodenie prístroja. Informácie, ktoré vyžadujú zvýšenú pozornosť.

Výstražné štítky

Preštudujte si všetky štítky a značky, ktoré sa nachádzajú na zariadení. Pri ich nedodržaní hrozí poranenie osôb alebo poškodenie prístroja. Symbol na prístroji je vysvetlený v príručke s bezpečnostnými pokynmi.

| | |
|--|---|
|  | Tento symbol na prístroji upozorňuje na prevádzkovú alebo bezpečnostnú informáciu v príručke s pokynmi. |
|  | Elektrické zariadenie označené týmto symbolom sa v rámci Európy nesmie likvidovať v systémoch likvidácie domového alebo verejného odpadu. Staré zariadenie alebo zariadenie na konci životnosti vráťte výrobcovi na bezplatnú likvidáciu. |

Prehľad výrobku

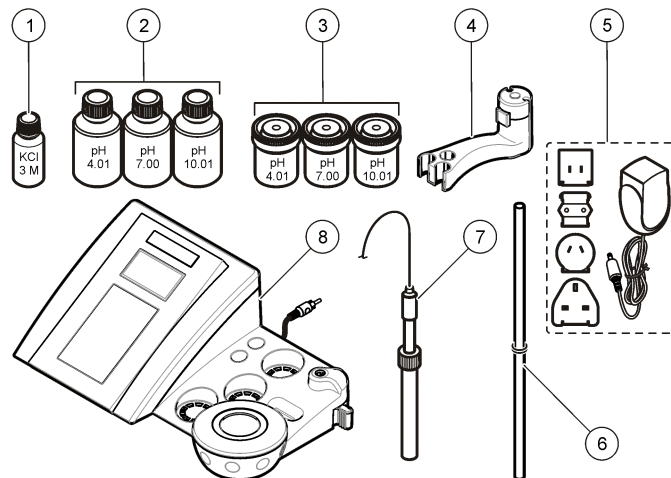
Meracie prístroje sensION™+ sa spolu so sondami používajú na meranie rôznych parametrov vody.

Merací prístroj sensION™+ PH3 meria pH, ORP (mV) alebo teplotu.

Komponenty výrobku

Pozrite si **Obrázok 1**, aby ste skontrolovali, či boli doručené všetky komponenty. Ak nejaká položka chýba alebo je poškodená, okamžite zavolajte výrobcu alebo predajcu.

Obrázok 1 Komponenty meracieho prístroja

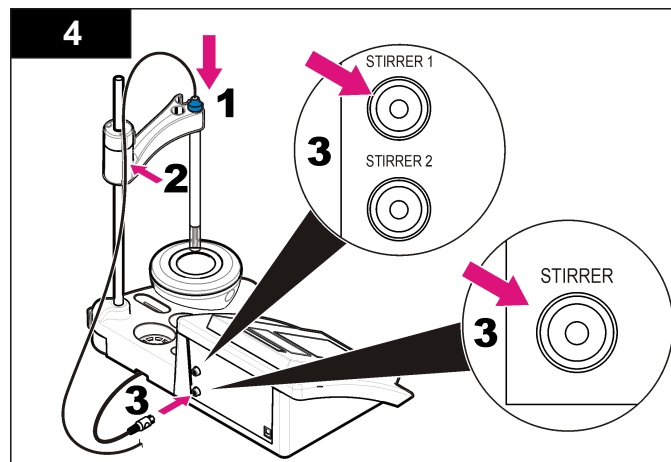
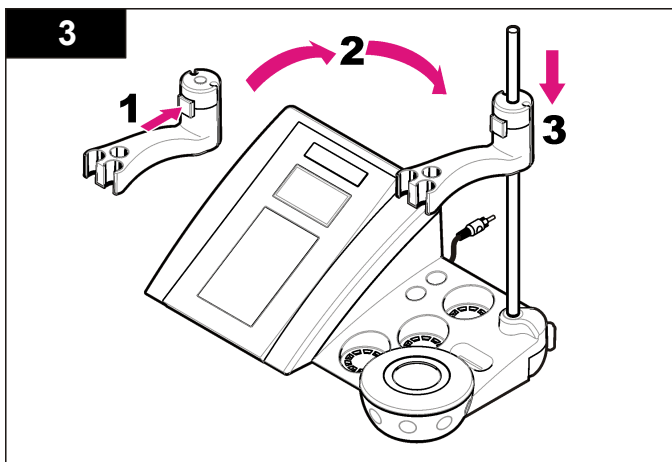
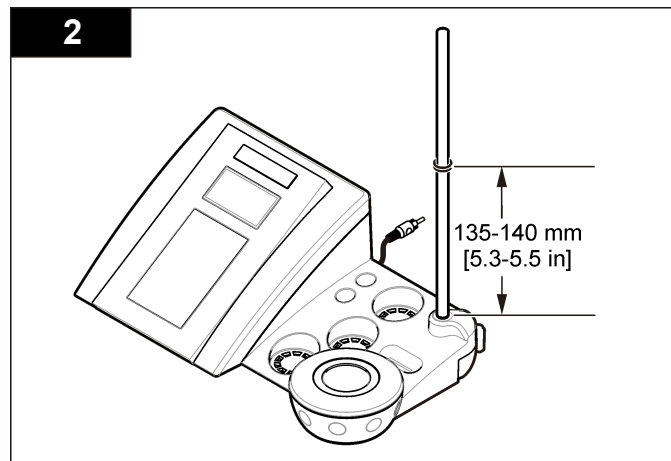
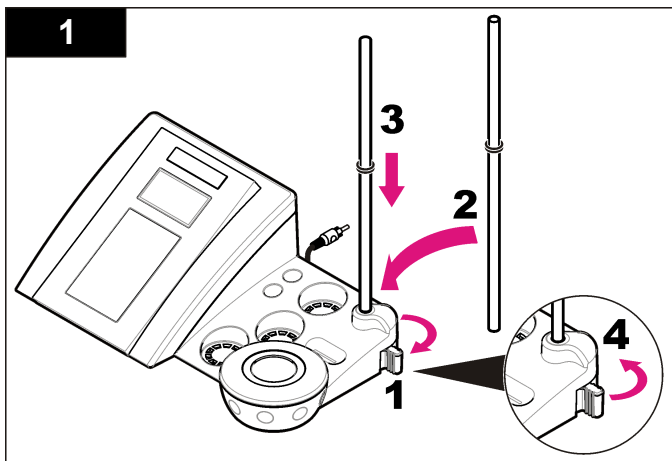


| | |
|--|-------------------------------|
| 1 Elektrolyt pre sondu | 5 Zdroj napájania |
| 2 Puľrovacie roztoky (pH 4,01, pH 7,00 a pH 10,01) | 6 Tyčinka s krúžkom v tvare O |
| 3 Kalibračné nádoby (s magnetickou tyčinkou vo vnútri) | 7 Sonda (len v rámci súprav) |
| 4 Držiak sondy | 8 Merací prístroj |

Montáž

Montáž držiaka sondy.

Pomocou nasledujúcich očíslovaných krokov zmontujte držiak sondy a pripojte magnetické miešadlo.



Zapojenie do elektrickej siete so striedavým prúdom

⚠ NEBEZPEČIE

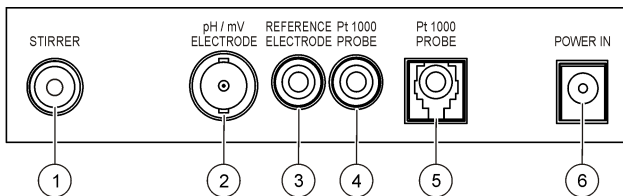


Nebezpečenstvo smrteľného úrazu elektrickým prúdom. Pri použití zariadenia vo vonkajších priestoroch alebo v priestoroch s možnosťou zvýšenej vlhkosti musí byť na pripojenie zariadenia k elektrickému rozvodu použitý prúdový chránič.

Merací prístroj sa môže napájať elektrinou pomocou univerzálneho adaptéra na napájanie z elektrickej siete.

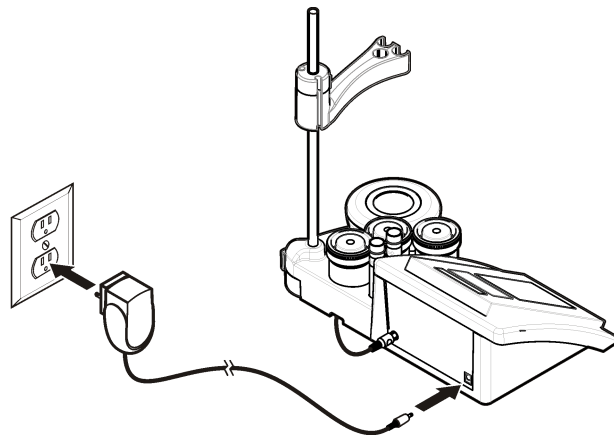
1. Zo súpravy adaptéra vyberte správnu zástrčku adaptéra pre výstup napájania.
2. Pripojte univerzálny napájací adaptér k meraciemu prístroju (Obrázok 2).
3. Zapojte univerzálny napájací adaptér do sieťovej zásuvky (Obrázok 3).
4. Zapnite merací prístroj.

Obrázok 2 Panel s konektormi



| | |
|--|--------------------------------------|
| 1 Konektor magnetického miešadla | 4 Konektor sondy teploty |
| 2 Konektor kombinovanej elektródy pH (alebo meracej) | 5 Konektor samostatnej sondy teploty |
| 3 Konektor referenčnej elektródy (samostatných elektród) | 6 Zdroj napájania |

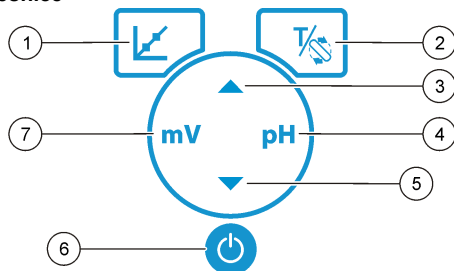
Obrázok 3 Zapojenie napájania z elektrickej siete so striedavým prúdom



Užívateľské rozhranie a navigácia

Používateľské rozhranie

Popis klávesnice

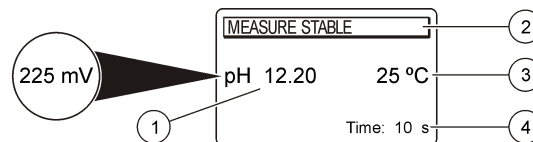


| | |
|--|--|
| 1 Tlačidlo KALIBRÁCIA: spustenie kalibrácie, prezeranie kalibračných údajov a zmena frekvencie kalibrácie. | 5 Tlačidlo DOLE: prechod na ďalšiu položku, zmena hodnoty. |
| 2 Tlačidlá TEPLOTA a MIEŠADLO: zmena jednotiek teploty (°C, °F) alebo rýchlosti miešania. | 6 ZAP/VYP: zapnutie a vypnutie meracieho prístroja. |
| 3 Tlačidlo HORE: prechod na ďalšiu položku, zmena hodnoty. | 7 Tlačidlo merania mV: začatie merania ORP (mV). |
| 4 Tlačidlo merania pH: spustenie merania pH. | |

Popis displeja

Na displeji meracieho prístroja sa zobrazuje koncentrácia, jednotky, teplota, stav kalibrácie, dátum a čas.

Obrázok 4 Jednoduchá obrazovka displeja



| | |
|---|--------------------------------|
| 1 Jednotka merania a hodnota (pH, ORP (mV)) | 3 Teplota vzorky (°C alebo °F) |
| 2 Režim merania alebo dátum a čas | 4 Vizualný časovač merania |

Navigácia

Tlačidlo slúži na kalibráciu sondy. Na odmeranie vzorky slúži tlačidlo parametra. Tlačidlá TEMPERATURE (Teplota) a STIRRER (Miešadlo) slúžia na zmenu jednotiek teploty (°C, °F) alebo rýchlosti miešania. Tlačidlá a slúžia na listovanie medzi položkami a na úpravu hodnôt. Počas úkonov sa pozorne dívajte na displej, pretože obrazovky sa rýchlo menia. Postupujte podľa konkrétnych pokynov pre príslušný úkon.

Spustenie do prevádzky

Zapnutie a vypnutie meracieho prístroja

POZNAMKA

Pred zapnutím meracieho prístroja sa presvedčte, či je k nemu pripojená sonda.

Ak si želáte vypnúť merací prístroj, stlačte tlačidlo . Ak sa merací prístroj nevypne, skontrolujte, či je striedavý napájací zdroj správne pripojený do sieťovej zásuvky.

Zmena jazyka



Jazyk displeja sa nastavuje pri prvom zapnutí meracieho prístroja.

Tlačidlom ▲ alebo ▼ vyberte jazyk zo zoznamu. Merací prístroj sa po 3 sekundách automaticky vráti na obrazovku merania.

Poznámka: ▲ Ak chcete zmeniť jazyk z hlavnej ponuky, stlačte tlačidlo.

Štandardná prevádzka




Kalibrácia


| ▲ NEBEZPEČIE | |
|--|---|
|  | Nebezpečenstvo vystavenia chemikáliám. Dodržiavajte laboratórne bezpečnostné postupy a používajte všetky osobné ochranné pomôcky zodpovedajúce chemikáliám, s ktorými pracujete. Bezpečnostné protokoly nájdete v aktuálnych kartách bezpečnostných údajov (KBÚ). |
|  | |

Postup kalibrácie

Toto je všeobecný postup pre tekuté kalibračné roztoky. Ďalšie informácie nájdete v dokumentoch, ktoré sú priložené ku každej sonde.


Poznámka: Roztoky sa počas kalibrácie majú miešať. Ďalšie informácie o nastaveniach miešania nájdete v časti [Zmena nastavení miešania](#) na strane 225.

1. Nalejte pufrovacie alebo kalibračné roztoky do označených kalibračných nádob.
2. V hlavnej ponuke stlačte tlačidlo  a vyberte kalibráciu pH alebo mV.
3. Opláchnite sondu deionizovanou vodou a vložte ju do prvej kalibračnej nádoby. Presvedčte sa, či na membráne nie sú vzduchové bubliny.
4. Stlačte tlačidlo  a odmerajte prvý kalibračný roztok. Zobrazí sa ďalší kalibračný roztok.
5. Opláchnite sondu deionizovanou vodou a vložte ju do druhej kalibračnej nádoby. Presvedčte sa, či na membráne nie sú vzduchové bubliny.
6. Stlačte tlačidlo  a odmerajte druhý kalibračný roztok. Zobrazí sa ďalší kalibračný roztok.

7. Opláchnite sondu deionizovanou vodou a vložte ju do tretej kalibračnej nádoby. Presvedčte sa, či na membráne nie sú vzduchové bubliny.
8. Stlačte tlačidlo  a odmerajte tretí kalibračný roztok. Ak je kalibrácia v poriadku, na displeji sa krátko zobrazí hlásenie 3rd Buffer OK (3. pufrovací roztok v poriadku) a potom sa opäť zobrazí hlavná ponuka.

Zobrazenie kalibračných údajov


Je možné zobraziť údaje z poslednej kalibrácie.

1. V hlavnom menu stlačte .
2. Na zobrazenie kalibračných údajov použite ▼. Merací prístroj sa po 3 sekundách automaticky vráti na obrazovku merania.

Nastavenie pripomienky kalibrácie

Pripomienku kalibrácie možno nastaviť na 0 až 23 hodín alebo 1 až 7 dní (predvolené: 1 deň). Na displeji sa zobrazí zostávajúci čas do novej kalibrácie.

Poznámka: Keď je zvolená možnosť 0, pripomienka kalibrácie je vypnutá.

1. V hlavnej ponuke stlačte tlačidlo  a potom tlačidlo ▼, kým sa na displeji nezobrazí položka Cal. frequency (Frekvencia kal.).
2. Zmeňte hodnotu pomocou tlačidla ▲ alebo ▼. Merací prístroj sa po 3 sekundách automaticky vráti na obrazovku merania.

Meranie vzoriek

Pre každú sondu existujú špecifické prípravné kroky a procedúry na meranie vzoriek. Podrobné pokyny nájdete v dokumentácii priloženej k sonde.

Poznámka: Roztoky treba počas merania miešať. Ďalšie informácie o nastaveniach miešania nájdete v časti [Zmena nastavení miešania](#) na strane 225.

Poznámka: Počas merania ORP (mV) sa teplota nezobrazuje, ak nie je pripojená teplotná sonda.

Na zmeranie vzorky stlačte pH alebo ORP (mV). Počas merania bude parameter blikať a časovač bude zobrazovať dobu stabilizácie. Na






zmenu parametra merania (ak sa dá) stlačte a podržte pH alebo ORP (mV).

Ak chcete vzorku merať kontinuálne, spustíte meranie stlačením pH alebo ORP (mV) a počas stabilizácie stlačte pH alebo ORP (mV) opäť. Parameter začne blikať, čím indikuje režim kontinuálneho merania.





Rozšírená prevádzka

Zmena dátumu a času

Dátum a čas sa dajú zmeniť v ponuke Date and Time (Dátum a čas).




1. Tlačidlom  otvorte ponuku Date and Time (Dátum a čas). Formát dátumu a času: dd-mm-rrrr 24h. Atribút, ktorý sa má zmeniť, sa automaticky zvýrazní a ak nestlačíte tlačidlo  ani , zvýrazní sa nasledujúci atribút.
2. Na zmenu atribútu stlačte tlačidlo  alebo , keď je zvolený zvýraznený atribút. Na displeji sa zobrazí aktuálny dátum a presný čas.

Nastavenie kontrastu displeja

1. Stlačte naraz tlačidlá  a  na vstup do ponuky Display contrast (Kontrast displeja).
2. Pomocou tlačidla  alebo  nastavte kontrast displeja. Merací prístroj sa po 3 sekundách automaticky vráti na obrazovku merania.



Zmena nastavení miešania

Rýchlosť miešania možno zmeniť počas kalibrácie i počas merania.

1. Ak chcete počas kalibrácie alebo merania otvoriť ponuku miešania, stlačte tlačidlo .
2. Pomocou tlačidla  alebo  zmeňte rýchlosť miešania v %.

Zmena jednotiek teploty

Jednotky teploty možno nastaviť na stupne Celzia alebo Fahrenheita.

1. Na hlavnej obrazovke stlačte tlačidlo .
2. Tlačidlom  vyberte možnosť Celsius alebo Fahrenheit.

Údržba

▲ UPOZORNENIE



Viacnásobné nebezpečenstvo. Úkony popísané v tejto časti návodu smú vykonávať iba kvalifikovaní pracovníci.

POZNAMKA

Nerозoberajte merací prístroj na účely údržby. Ak je potrebné opraviť alebo vyčistiť vnútorné komponenty, obráťte sa na výrobcu.

Čistenie prístroja

POZNAMKA

Na čistenie prístroja, vrátane displeja a príslušenstva, nikdy nepoužívajte terpentín, aceton ani podobné čistiace prostriedky.

Na čistenie vonkajších povrchov prístroja používajte vlhkú handru a slabý mydlový roztok.

Čistenie sondy

Vyčistite sondu podľa potreby. Ďalšie informácie o čistení nájdete v časti [Riešenie problémov](#) na strane 228. Informácie o údržbe sondy nájdete v dokumentácii k sonde.

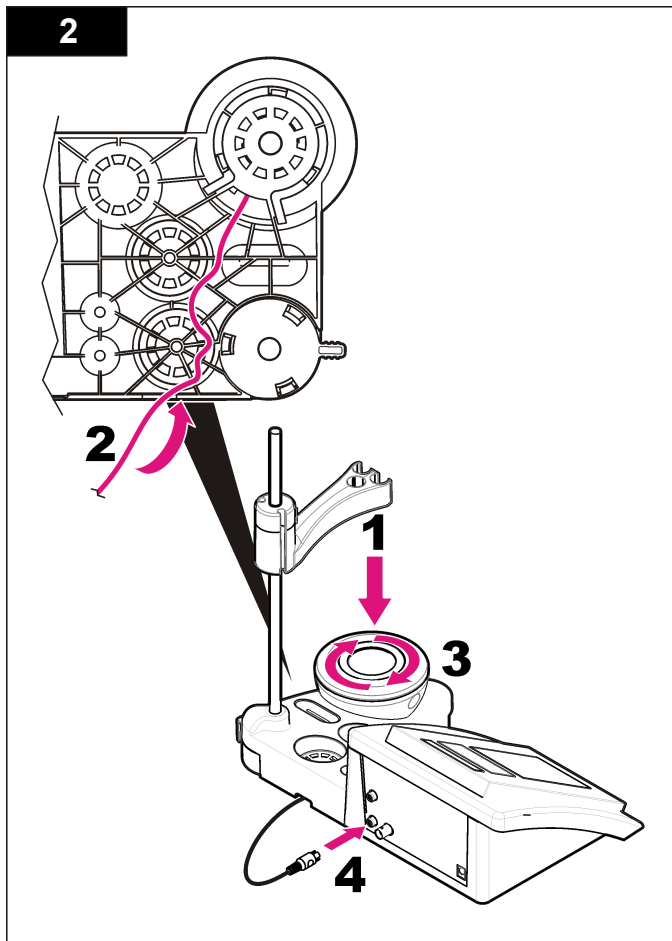
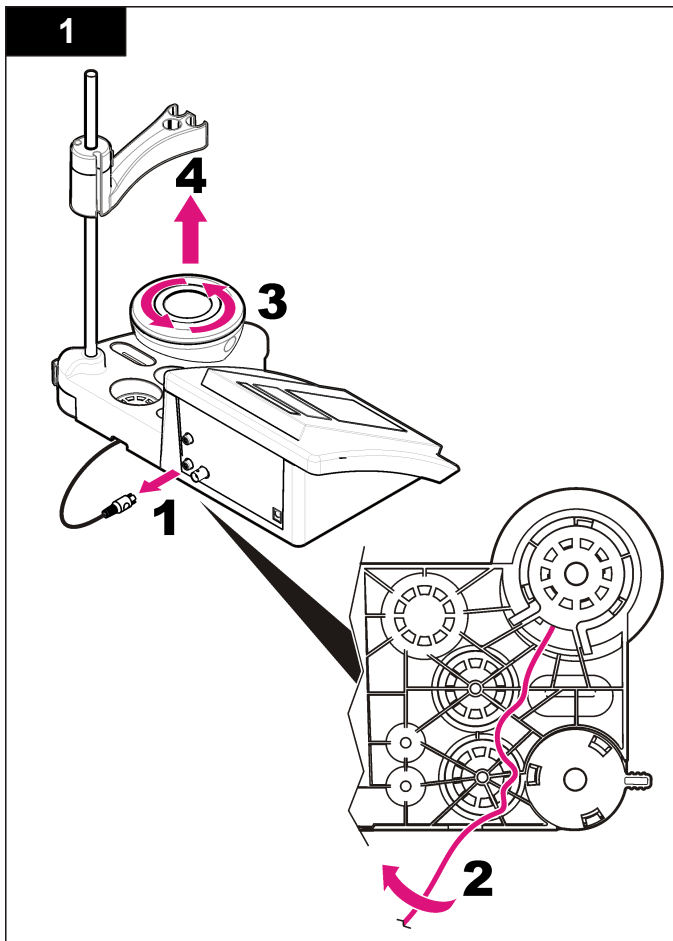
Na odstránenie kontaminácie zo sondy pH použite čistiace prostriedky uvedené v [Tabuľka 1](#).

Tabuľka 1 Čistiace prostriedky pre sondu pH

| Kontaminácia | Čistiaci prostriedok |
|------------------|-----------------------------|
| Proteíny | Pepsínový čistiaci roztok |
| Maz, oleje, tuky | Roztok na čistenie elektród |
| Vodný kameň | Roztok 0,1 N HCl |

Výmena magnetického miešadla




Ak sa magnetické miešadlo nespustí, vymeňte ho podľa uvedených očíslovaných krokov.




Riešenie problémov

Bežné správy o problémoch alebo symptómoch, možné príčiny a nápravné opatrenia nájdete v nasledujúcej tabuľke.


Tabuľka 2 Výstrahy a chyby kalibrácie

| Chyba/Výstraha | Riešenie |
|---|---|
| Asymmetry > 58 mV (Asymetria > 58 mV) | Sklon mimo rozsah (akceptované hodnoty ± 58 mV). Zopakujte pomocou tlačidla  . Pripojte novú sondu. |
| Buffer or electrode in poor conditions. (Pufrovací roztok alebo elektróda v zlom stave.) | Zopakujte pomocou tlačidla  . Skontrolujte sondu: Vyčistite sondu (viac informácií v časti Čistenie sondy na strane 225); presvedčte sa, či na membráne nie sú vzduchové bubliny. Zatraste sondou ako teplomerom; pripojte inú sondu, aby ste zistili, či je problém so sondou, alebo s meracím prístrojom. |
| Sens. (a) < 70% (Citl. (a) < 70 %) | Skontrolujte pufrovací roztok: Presvedčte sa, či použitý pufrovací roztok zodpovedá pufrovaciemu roztoku uvedenému v konfigurácii; skontrolujte špecifikáciu teploty v konfigurácii; použite nový pufrovací roztok. |
| BUFFER NOT RECOGNIZED (Pufrovací roztok nerozpoznaný) | |
| UNSTABLE READING (Nestabilné hodnoty) Time t > 100 s (Čas t > 100 s) | Zopakujte pomocou tlačidla  . Skontrolujte sondu: Vyčistite sondu (viac informácií v časti Čistenie sondy na strane 225); presvedčte sa, či na membráne nie sú vzduchové bubliny. Zatraste sondou ako teplomerom; pripojte inú sondu, aby ste zistili, či je problém so sondou, alebo s meracím prístrojom. Presvedčte sa, či sú membrána a diafragma správne ponorené vo vzorke. |

Tabuľka 2 Výstrahy a chyby kalibrácie (pokračovanie)

| Chyba/Výstraha | Riešenie |
|---|---|
| Electrode in poor conditions. (Elektróda v zlom stave.) | Skontrolujte sondu: Vyčistite sondu (viac informácií v časti Čistenie sondy na strane 225); presvedčte sa, či na membráne nie sú vzduchové bubliny. Zatraste sondou ako teplomerom; pripojte inú sondu, aby ste zistili, či je problém so sondou, alebo s meracím prístrojom. |
| Skontrolujte elektródu. | |
| SAME BUFFERS (Rovnaké pufrovacie roztoky) | Zopakujte pomocou tlačidla  . Skontrolujte sondu: Vyčistite sondu (viac informácií v časti Čistenie sondy na strane 225); presvedčte sa, či na membráne nie sú vzduchové bubliny. Zatraste sondou ako teplomerom; pripojte inú sondu, aby ste zistili, či je problém so sondou, alebo s meracím prístrojom. Skontrolujte pufrovací roztok: Použite nový pufrovací roztok. |

Tabuľka 3 Výstrahy a chyby merania

| Chyba/Výstraha | Riešenie |
|----------------------------------|--|
| pH 12.78 19°C | Zopakujte pomocou tlačidla  . |
| pH out of range (pH mimo rozsah) | Skontrolujte sondu: Vyčistite sondu (viac informácií v časti Čistenie sondy na strane 225); presvedčte sa, či na membráne nie sú vzduchové bubliny. Zatraste sondou ako teplomerom; pripojte inú sondu, aby ste zistili, či je problém so sondou, alebo s meracím prístrojom. |

Tabuľka 3 Výstrahy a chyby merania (pokračovanie)

| Chyba/Výstraha | Riešenie |
|--|--|
| Temp out of range °C (Teplota mimo rozsah °C) | Skontrolujte snímač teploty. Pripojte inú sondu, aby ste zistili, či je problém so sondou, alebo s meracím prístrojom. |
| Time > 150 s (Čas > 150 s) | Presvedčte sa, či sú membrána a diafragma správne ponorené vo vzorke. Skontrolujte teplotu. Skontrolujte sondu: Vyčistite sondu (viac informácií v časti Čistenie sondy na strane 225); presvedčte sa, či na membráne nie sú vzduchové bubliny. Zatraste sondou ako teplomerom; pripojte inú sondu, aby ste zistili, či je problém so sondou, alebo s meracím prístrojom. |

Náhradné diely a príslušenstvo

Poznámka: Čísla produktov a položiek sa môžu odlišovať v niektorých predajných oblastiach. Pre kontaktné informácie sa obráťte na príslušného distribútora alebo si pozrite webovú stránku spoločnosti.

Náhradné diely

| Popis | Č. položky |
|---|-----------------|
| Laboratórny prístroj na meranie pH sensION+ PH3 s príslušenstvom, bez sondy | LPV2000.98.0002 |
| Laboratórny prístroj na meranie pH sensION+ PH31, GLP, s príslušenstvom, bez sondy | LPV2100.98.0002 |
| Laboratórny prístroj na meranie pH a iónov sensION+ MM340, GLP, 2 kanály, s príslušenstvom, bez sondy | LPV2200.98.0002 |
| Laboratórny prístroj na meranie vodivosti sensION+ EC7 s príslušenstvom, bez sondy | LPV3010.98.0002 |
| Laboratórny prístroj na meranie vodivosti sensION+ EC71, GLP, s príslušenstvom, bez sondy | LPV3110.98.0002 |
| Laboratórny merací prístroj sensION+ MM374, 2 kanály, GLP, príslušenstvo, bez sond | LPV4110.98.0002 |

Spotrebný materiál

| Popis | Č. položky |
|---|------------|
| pH puľrovací roztok 4,01, 125 ml | LZW9460.99 |
| pH puľrovací roztok 7,00, 125 ml | LZW9461.98 |
| pH puľrovací roztok 10,01, 125 ml | LZW9470.99 |
| pH puľrovací roztok 4,01, 250 ml | LZW9463.99 |
| pH puľrovací roztok 7,00, 250 ml | LZW9464.98 |
| pH puľrovací roztok 10,01, 250 ml | LZW9471.99 |
| pH puľrovací roztok 4,01, 1000 ml | LZW9466.99 |
| pH puľrovací roztok 7,00, 1000 ml | LZW9467.98 |
| pH puľrovací roztok 10,01, 1000 ml | LZW9472.99 |
| Elektrolytický roztok (KCl 3 M), 125 ml | LZW9510.99 |
| Elektrolytický roztok (KCl 3 M), 250 ml | LZW9500.99 |
| Elektrolytický roztok (KCl 3 M), 50 ml | LZW9509.99 |
| Elektrolytický roztok 0,1 M, 125 ml | LZW9901.99 |
| Enzymový roztok | 2964349 |
| Pepsínový čistiaci roztok | 2964349 |
| Roztok na čistenie elektród | 2965249 |
| Roztok 0,1 N HCl | 1481253 |

Príslušenstvo

| Popis | Č. položky |
|---|------------|
| Magnetické miešadlo s držiakom snímača, pre stolový merací prístroj sensION+ MM | LZW9319.99 |
| Potlačené nádoby 3 x 50 ml na stolovú kalibráciu pH | LZW9110.98 |

Príslušenstvo (pokračovanie)

| Popis | Č. položky |
|--|------------|
| Držiak na tri snímače, pre nástroje stolového meracieho prístroja sensION+ | LZW9321.99 |
| Držiak a svorka na tri snímače | LZW9155.99 |
| Komora z pyrexového skla, meranie nepretržitého prietoku | LZW9118.99 |
| Ochranný obal z PP, skladovanie elektród | LZW9161.99 |

Štandardné roztoky

Technické pufovacie roztoky (DIN 19267)

Hodnoty pH a ORP (mV) špecifických pufovacích súprav pri rôznych teplotách nájdete v časti [Tabuľka 4](#).

Tabuľka 4 Hodnoty pH, ORP (mV) a teploty

| Teplota | | pH | | | | | mV |
|-----------|-----------|-------------|-------------|-------------|-------------|--------------|------------|
| °C | °F | | | | | | |
| 0 | 32 | 2,01 | 4,01 | 7,12 | 9,52 | 10,30 | — |
| 10 | 50 | 2,01 | 4,00 | 7,06 | 9,38 | 10,17 | 245 |
| 20 | 68 | 2,00 | 4,00 | 7,02 | 9,26 | 10,06 | 228 |
| 25 | 77 | 2,00 | 4,01 | 7,00 | 9,21 | 10,01 | 220 |
| 30 | 86 | 2,00 | 4,01 | 6,99 | 9,16 | 9,96 | 212 |
| 40 | 104 | 2,00 | 4,03 | 6,97 | 9,06 | 9,88 | 195 |
| 50 | 122 | 2,00 | 4,06 | 6,97 | 8,99 | 9,82 | 178 |
| 60 | 140 | 2,00 | 4,10 | 6,98 | 8,93 | 9,76 | 160 |
| 70 | 158 | 2,01 | 4,16 | 7,00 | 8,88 | — | — |
| 80 | 176 | 2,01 | 4,22 | 7,04 | 8,83 | — | — |
| 90 | 194 | 2,01 | 4,30 | 7,09 | 8,79 | — | — |

Specifikacije

Pridržana pravica do spremembe tehničnih podatkov brez predhodnega obvestila.

| Tehnični podatki | Podrobnosti |
|------------------------------------|---|
| Mere | 35 x 20 x 11 cm (13,78 x 7,87 x 4,33 palca) |
| Teža | 1100 g (2,43 palca) |
| Ohišje merilnika | IP 42 |
| Napajanje (zunanje) | 100–240 V, 0,4 A, 47–63 Hz |
| Zaščitni razred merilnika | Razred II |
| Temperatura shranjevanja | –15 do +65 °C (5 do +149 °F) |
| Temperatura delovanja | 0 do 40 °C (41 do 104 °F) |
| Vlažnost za delovanje | < 80 % (brez kondenzacije) |
| Rešitev | pH: 0.01; ORP: 1 mV; temperatura: 0,1 °C (0,18 °F) |
| Napaka pri merjenju (± 1 številka) | pH: ≤ 0,01; ORP: ≤ 1 mV; temperatura: ≤ 0,2 °C (≤ 0,36 °F) |
| Ponovljivost (± 1 številka) | pH: ± 0,01; ORP: ± 1 mV; temperatura: ± 0,1 °C (± 0,18 °F) |
| Povezave | Kombinirana ali indikatorska sonda: priključek BNC (Imp. >10 ¹² Ω); referenčna elektroda: priključek tipa "banana"; A.T.C. tipa Pt 1000: priključek banana ali telefonski priključek; magnetni mešalnik: priključek tipa RCA |
| Popravek temperature | Ročno, sonda temperature Pt 1000 (A.T.C.), sonda NTC 10 kΩ |
| Zaklep prikaza meritev | Neprekinjeno merjenje, po stabilnosti |
| Zaslon | Tekoči kristali, osvetlitev iz ozadja, 128 x 64 pik |

| Tehnični podatki | Podrobnosti |
|------------------|--------------------------|
| Tipkovnica | PET z zaščitnim premazom |
| Certifikacija | CE |

Splošni podatki

Prenovljene različice najdete na proizvajalčevi spletni strani.

Varnostni napotki

OPOMBA

Proizvajalec ne odgovarja za škodo, ki bi nastala kot posledica napačne aplikacije ali uporabe tega izdelka, kar med drugim zajema neposredno, naključno in posledično škodo, in zavrača odgovornost za vso škodo v največji meri, dovoljeni z zadevno zakonodajo. Uporabnik je v celoti odgovoren za prepoznavo tveganj, ki jih predstavljajo kritične aplikacije, in namestitve ustreznih mehanizmov za zaščito procesov med potencialno okvaro opreme.

Še pred razpakiranjem, zagonom ali delovanjem te naprave v celoti preberite priložena navodila. Še posebej upoštevajte vse napotke o nevarnostih in varnostne napotke. V nasprotnem primeru obstaja nevarnost hudih poškodb uporabnika oz. škode na opremi.

Zaščita te opreme mora biti brezhibna. Uporabljajte in nameščajte jo izključno tako, kot je navedeno v tem priročniku.

Uporaba varnostnih informacij

▲ NEVARNOST

Označuje morebitno ali neizbežno nevarno stanje, ki lahko povzroči smrt ali hude poškodbe.

▲ OPOZORILO

Označuje možno ali neposredno nevarno situacijo, ki lahko privede do hude poškodbe ali povzroči smrt, če se ji ne izognete.

⚠ PREVIDNO



Označuje morebitno nevarnost, ki lahko pripelje do majhnih ali srednje težkih poškodb.

OPOMBA

Označuje situacijo, ki lahko, če se ji ne izognete, povzroči poškodbe instrumenta. Podatki, ki jih je potrebno posebej upoštevati.

Opozorilne oznake

Upoštevajte vse oznake in tablice, ki so nameščene na napravo. Neupoštevanje tega lahko privede do telesnih poškodb ali škode na inštrumentu. Simbol na napravi se nanaša na opozorilo, ki je navedeno v navodilih.

| | |
|--|--|
|  | Če je na napravi ta simbol, preberite podrobnosti o njem v navodilih za uporabo in/ali v razdelku za informacije o varnosti. |
|  | Električne opreme, označene s tem simbolom, v EU ni dovoljeno odlagati v domačih ali javnih sistemih za odstranjevanje odpadkov. Staro ali izrabljeno opremo vrnite proizvajalcu, ki jo mora odstraniti brez stroškov za uporabnika. |

Pregled izdelka

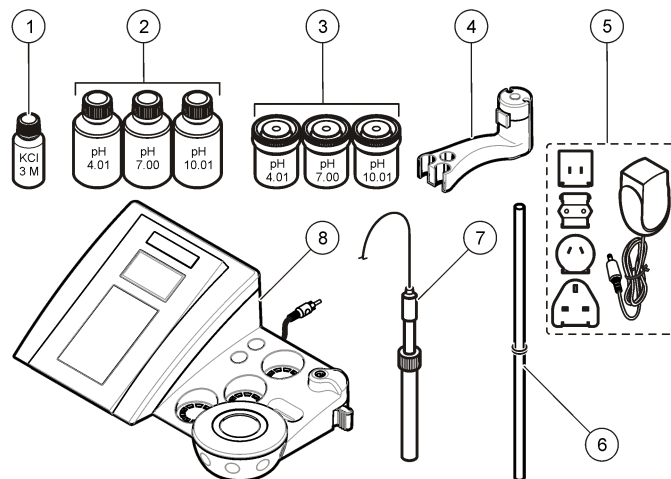
Merilnike sensION™+ se uporablja s sondami za merjenje različnih parametrov v vodi.

Merilnik sensION™+ PH3 je namenjen merjenju vrednosti pH, ORP (mV) ali temperature.

Sestavni deli izdelka

Glejte [Slika 1](#) in se prepričajte, da ste prejeli vse sestavne dele. Če katerikoli del manjka ali je poškodovan, se nemudoma obrnite na proizvajalca ali prodajnega zastopnika.

Slika 1 Sestavni deli merilnika

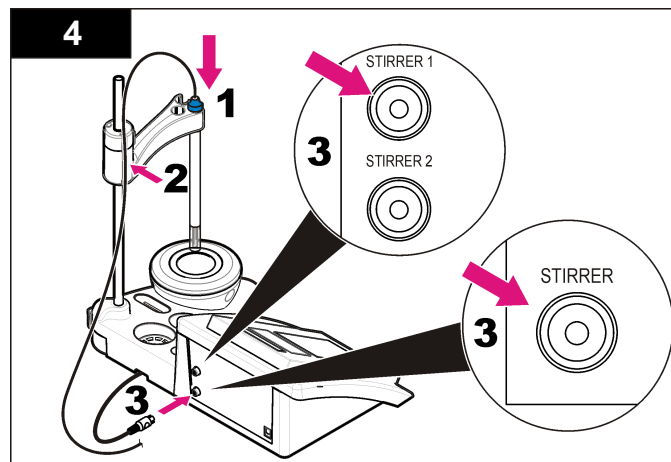
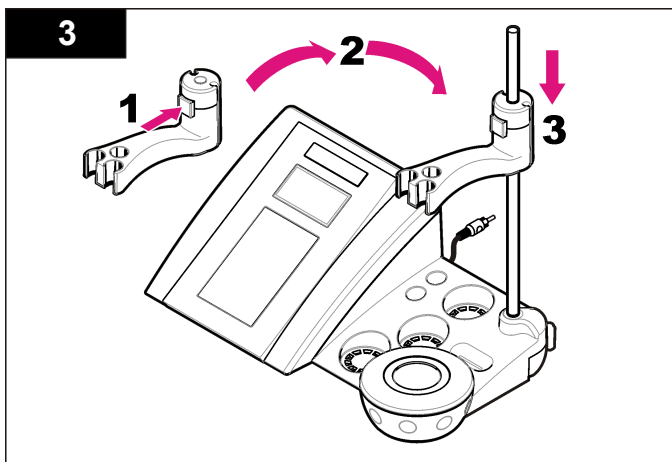
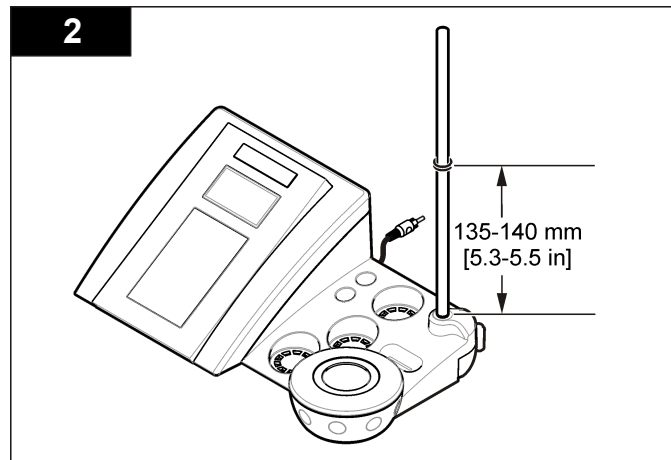
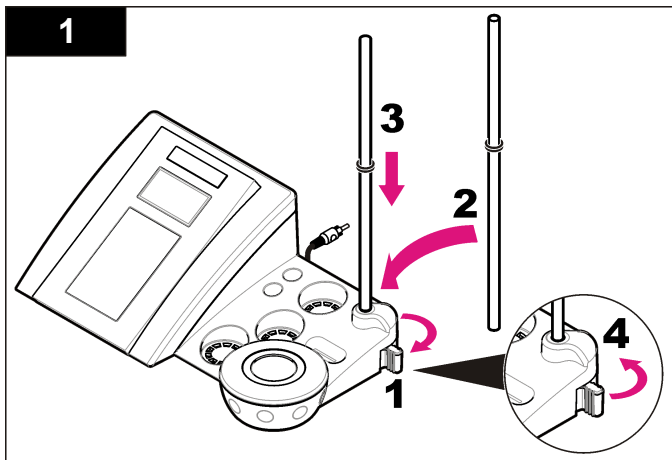


| | |
|---|------------------------------------|
| 1 Elektrolit za sondo | 5 Napajanje |
| 2 Puferske raztopine (pH 4,01; pH 7,00 in pH 10,01) | 6 Palica s tesnilnim obročkom |
| 3 Čaše za umerjanje (z magnetno palico) | 7 Sonda (priložena samo kompletom) |
| 4 Držalo za sonde | 8 Merilnik |

Namestitev

Sestavljanje držala za sonde

Po oštevilčenih korakih sestavite držalo za sonde in priključite magnetni mešalnik.



Priklop na napajanje z izmeničnim tokom

⚠ NEVARNOST

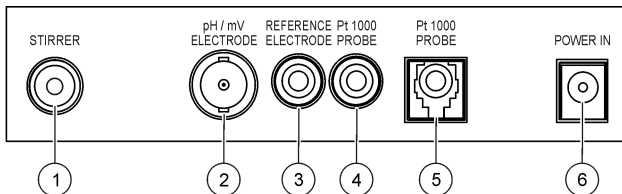


Nevarnost smrti zaradi električnega toka. Če opremo uporabljate zunaj ali na potencialno mokrem mestu, morate za priklop opreme na električno vtičnico uporabiti ozemljitveni prekinjevalnik krogotoka (GFCI/GFI).

Za napajanje merilnika z izmeničnim tokom lahko uporabite univerzalni napajalni adapter.

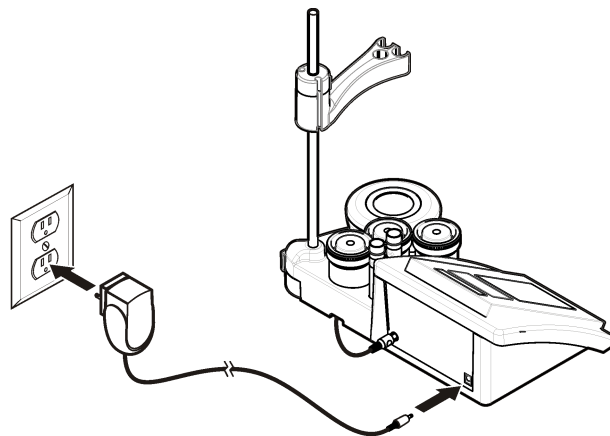
1. V kompletu z adapterjem izberite pravilni vtič adapterski vtič za vtičnico.
2. Univerzalni napajalni adapter priklopite na merilnik (Slika 2).
3. Povežite univerzalni napajalni adapter z vtičnico z izmeničnim tokom (Slika 3).
4. Vključite merilnik.

Slika 2 Priključna plošča



| | |
|--|--|
| 1 Priključek za magnetni mešalnik | 4 Priključek sonde za temperaturo |
| 2 Priključek za kombinirano pH-elektrodo (ali indikator) | 5 Priključek ločene sonde za temperaturo |
| 3 Priključek za referenčno elektrodo (ločene elektrode) | 6 Napajanje |

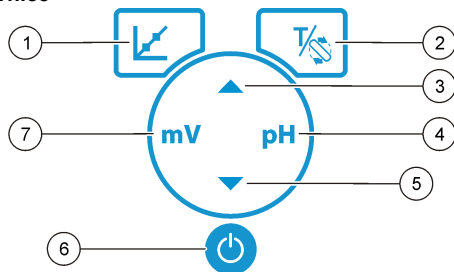
Slika 3 Priklop na napajanje z izmeničnim tokom



Uporabniški vmesnik in pomikanje

Uporabniški vmesnik

Opis tipkovnice

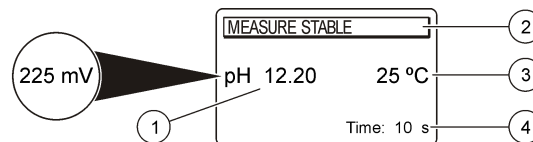


| | |
|---|--|
| 1 Tipka za UMERJANJE: začetek umerjanja, ogled podatkov o umerjanju in sprememba pogostosti umerjanja | 5 Tipka NAVZDOL: pomik do drugih možnosti, sprememba vrednosti |
| 2 Tipka za TEMPERATURO in MEŠALNIK: sprememba temperature (°C, °F) ali hitrosti mešanja | 6 VKLOP/IZKLOP: vklop ali izklop merilnika |
| 3 Tipka NAVZGOR: pomik do drugih možnosti, sprememba vrednosti | 7 Tipka za merjenje mV: začetek merjenja vrednosti ORP (mV) |
| 4 Tipka za merjenje pH: začetek merjenja pH-vrednosti | |

Opis zaslona

Na zaslonu merilnika so prikazani koncentracija, enote, temperature, stanje umerjanja, datum in čas.

Slika 4 Prikaz enojnega zaslona



| | |
|---|----------------------------------|
| 1 Merska enota in vrednost (pH, ORP (mV)) | 3 Temperatura vzorca (°C ali °F) |
| 2 Način merjenja ali datum in čas | 4 Prikaz časovnika merjenja |

Navigacija

Za umerjanje sonde pritisnite tipko za umerjanje . Za meritev vzorca pritisnite tipko parametra. S tipkama TEMPERATURE (temperatura) in STIRRER (mešalnik) lahko spreminjate temperaturo (°C, °F) ali hitrost mešanja. S puščičnima tipkama in se lahko pomikate med možnostmi ali spreminjate vrednosti. Med opravili pazorno spremljajte prikaz na zaslonu, saj se ta lahko hitro spreminja. Za natančnejša navodila glejte posamezno opravilo.

Zagon

Vklop in izklop merilnika

OPOMBA

Pred vklopom preverite, ali je sonda povezana z merilnikom.

Za vklop ali izklop merilnika pritisnite tipko . Če se merilnik ne vklopi, preverite, ali je napajalnik AC pravilno povezan z električno vtičnico.

Sprememba jezika


Jezik prikaza lahko izberete ob prvem vklopu merilnika.

S tipko ali izberite jezik s seznama. Merilnik se po 3 sekundah samodejno povrne na zaslon z meritvami.

Napotek: Za spremembo jezika v glavnem meniju pritisnite tipko .

Standardni postopki





Umerjanje

| ▲ NEVARNOST | |
|--|---|
|  | Nevarnost izpostavljenosti kemikalijam. Upoštevajte varnostne predpise v laboratoriju in nosite vsa osebno zaščitno opremo, primerno za delo s kemikalijami, ki jih trenutno uporabljate. Za varnostne protokole glejte veljaven varnostni list (MSDS/SDS). |

Postopek umerjanja



Postopek je primeren za splošno uporabo s tekočimi raztopinami za umerjanje. Za dodatne informacije glejte dokumente, ki so priloženi posamezni sondi.

Napotek: Raztopino je treba med umerjanjem mešati. Za dodatne informacije o nastavitvah za mešanje glejte [Spreminjanje nastavitvev mešanja](#) na strani 237.

1. V označene čaše za umerjanje vlijte pufre ali raztopine za umerjanje.
2. V glavnem meniju pritisnite tipko , da izberete umerjanje vrednosti pH ali mV.
3. Sondo sperite z deionizirano vodo in jo vstavite v prvo čašo za umerjanje. Preverite, da v membrani ni ujetih zračnih mehurčkov.
4. Pritisnite tipko , da izmerite prvo raztopino za umerjanje. Prikazana je naslednja raztopina za umerjanje.
5. Sondo sperite z deionizirano vodo in jo vstavite v drugo čašo za umerjanje. Preverite, da v membrani ni ujetih zračnih mehurčkov.
6. Pritisnite tipko , da izmerite drugo raztopino za umerjanje. Prikazana je naslednja raztopina za umerjanje.
7. Sondo sperite z deionizirano vodo in jo vstavite v tretjo čašo za umerjanje. Preverite, da v membrani ni ujetih zračnih mehurčkov.
8. Pritisnite tipko , da izmerite tretjo raztopino za umerjanje. Ko je umeritev primerna, se na zaslonu na kratko pojavi sporočilo 3rd Buffer OK (3. pufer v redu), nato pa se znova prikaže glavni meni.

Ogled podatkov o umerjanju





Prikazati je mogoče podatke o zadnjem umerjanju.

1. V glavnem meniju pritisnite  .
2. Za ogled podatkov o zadnjem umerjanju pritisnite  . Merilnik se po 3 sekundah samodejno povrne na zaslon z meritvami.

Nastavitev opomnika za umerjanje

Opomnik umerjanja lahko nastavite med 0 in 23 ur ali med 1 in 7 dni (privzeta vrednost je 1 dan). Na zaslonu je prikazan čas do naslednjega umerjanja.

Napotek: Če je izbrana vrednost 0 days (0 dni), je opomnik umerjanja izklopljen.

1. V glavnem meniju pritisnite tipko  in nato , dokler se na zaslonu ne pojavi Cal. frequency (pogostost umerjanja).
2. Če želite spremeniti vrednost, pritisnite tipko  ali  . Merilnik se po 3 sekundah samodejno povrne na zaslon z meritvami.

Meritve vzorcev

Vsaka sonda ima posebne postopke za pripravo na meritve vzorcev. Za navodila po korakih glejte dokumente, ki so priloženi sondi.

Napotek: Raztopino je treba med merjenjem mešati. Za dodatne informacije o nastavitvah za mešanje glejte [Spreminjanje nastavitvev mešanja](#) na strani 237.

Napotek: Temperatura med merjenjem ORP (mV) ni prikazana, če temperaturna sonda ni priključena.






Za merjenje vzorca pritisnite pH in ORP (mV). Med meritvami parameter utripa, na časovniku pa je prikazan čas stabilizacije. Če želite spremeniti merjeni parameter (če je primerno), pritisnite in pridržite pH ali ORP (mV).

Za neprekinjene meritve vzorca pritisnite pH ali ORP (mV) za začetek meritve. Znova pritisnite pH ali ORP (mV) med stabilizacijo. Ko je aktiven način neprekinjenega merjenja, parameter utripa.





Napredni postopki

Sprememba datuma in časa

Datum in čas lahko spremenite v meniju Date and Time (datum in čas).




1. S tipko  odprite meni Date and Time (datum in čas). Zapis datuma in časa: dd-mm-llll 24 h. Atribut, ki bo spremenjen, bo samodejno označen. Če ne pritisnete tipke  ali  se samodejno preklopi na naslednji atribut.
2. Če želite atribut spremeniti, pritisnite tipko  ali , ko je izbran označen atribut.
Na zaslonu bosta prikazana trenutni datum in čas.

Nastavitev kontrasta zaslona

1. Hkrati pritisnite tipki  in , da odprete meni Display contrast (kontrast zaslona).
2. S tipkama  in  nastavite kontrast zaslona. Merilnik se po 3 sekundah samodejno povrne na zaslon z meritvami.



Spreminjanje nastavitve mešanja

Hitrost mešanja lahko spreminjate med umerjanjem in med meritvijo.

1. Če želite odpreti meni za mešanje, med umerjanjem ali meritvijo pritisnite tipko .
2. Hitrost mešanja lahko spreminjate s tipko  ali  (v %).

Sprememba enote za temperaturo

Izbirate lahko med stopinjami Celzija ali Fahrenheita.

1. V glavnem meniju pritisnite tipko .
2. Pritisnite tipko , da izberete možnost Celsius ali Fahrenheit.

Vzdrževanje

▲ PREVIDNO



Različne nevarnosti Opravila, opisana v tem delu dokumenta, lahko izvaja samo usposobljeno osebje.

OPOMBA

Ne razstavljajte inštrumenta zaradi vzdrževanja. V kolikor je potrebno čiščenja ali zamenjava notranjih delov kontaktirajte proizvajalca.

Čiščenje instrumenta

OPOMBA

Instrumenta, zaslona in dodatne opreme nikoli ne čistite s sredstvi, kot so terpentini, aceton ali podobni izdelki.

Zunanost instrumenta očistite z vlažno krpo in blago milno raztopino.

Čiščenje sonde

Sondo čistite po potrebi. Za dodatne informacije o čiščenju glejte [Odpravljanje težav](#) na strani 239. Za informacije o vzdrževanju sonde glejte dokumentacijo sonde.

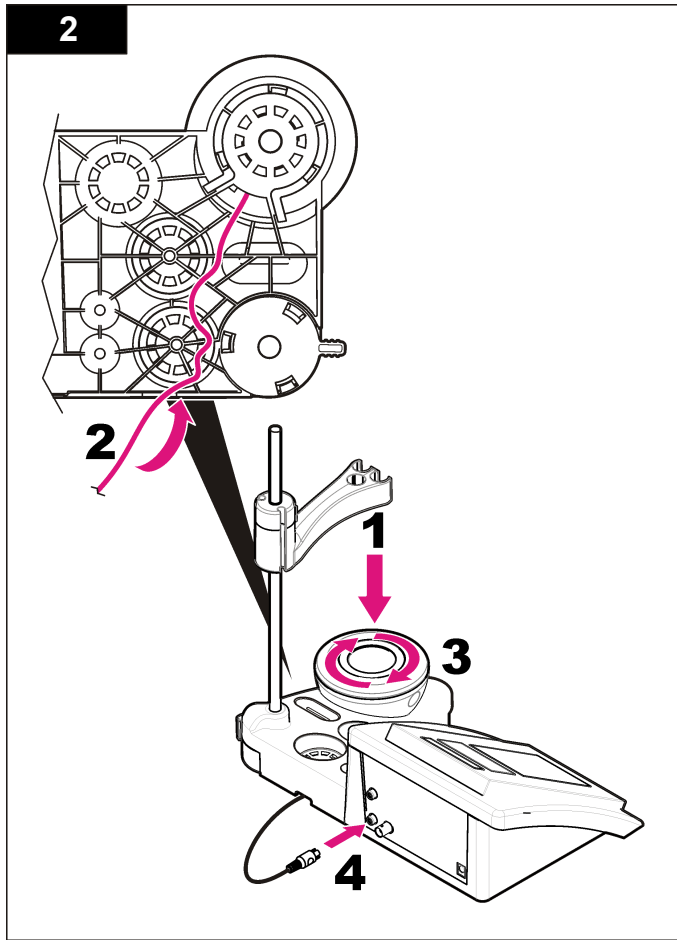
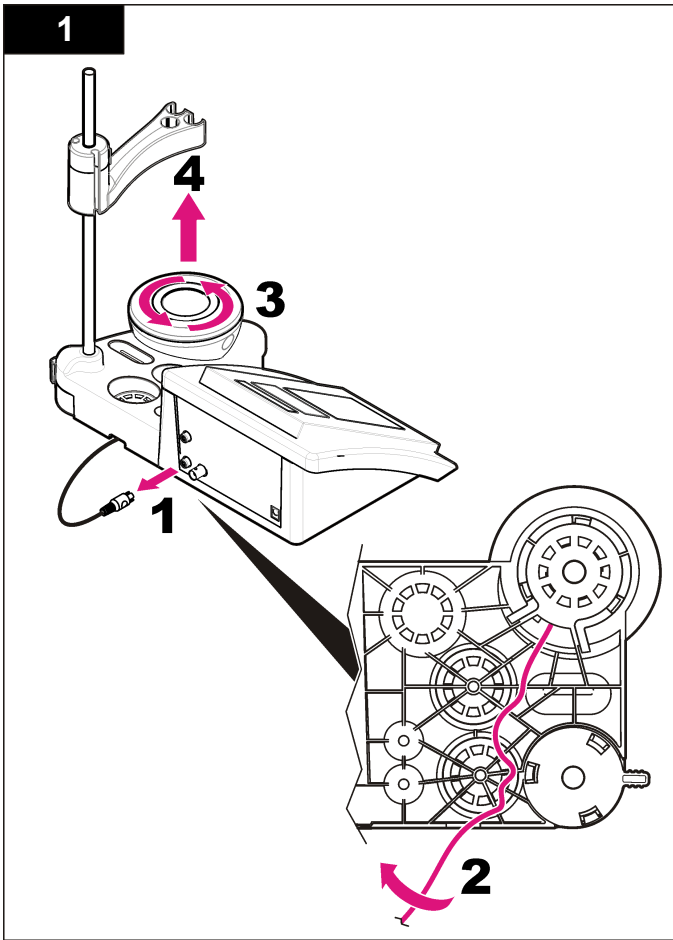
Za čiščenje pH-sonde uporabite čistilna sredstva, navedena v [Tabela 1](#).

Tabela 1 Čistilna sredstva za pH-sondo

| Onesnaženje | Čistilno sredstvo |
|---------------------|---------------------------------|
| Proteini | Čistilna raztopina s pepsinom |
| Mast, olja, maščobe | Čistilna raztopina za elektrode |
| Vodni kamen | Raztopina 0,1 N HCl |

Zamenjava magnetnega mešalnika

Če se magnetni mešalnik ne zažene, sledite oštevilčenim korakom za zamenjavo.



Odpravljanje težav

V naslednji tabeli so navedena najpogostejša sporočila o napakah ali simptomih, možni vzroki in ukrepi.

Tabela 2 Opozorila in napake pri umerjanju




| Napaka/opozorilo | Rešitev |
|--|---|
| Asymmetry > 58 mV (asimetrija > 58 mV) | Naklon je zunaj razpona (dopustne vrednosti so ± 58 mV). Ponovite z  Priključite novo sondo. |
| Buffer or electrode in poor conditions (slabo stanje pufru ali elektrode). | Ponovite z  Preglejte sondo. Očistite sondo (za dodatne informacije glejte Čiščenje sonde na strani 237); preverite, da v membrani ni zračnih mehurčkov. Stresite sondo kot termometer; priklopite drugo sondo, da preverite, ali težave povzročata sonda ali merilnik. |
| Sens. (a) < 70 % (senzor (a) < 70 %) | Preverite pufersko raztopino; preverite, ali uporabljeni pufer ustreza pufru, izbranem v konfiguraciji; preverite specifikacijo temperature v konfiguraciji; uporabite novo pufersko raztopino. |
| BUFFER NOT RECOGNIZED (pufer ni prepoznan) | |
| UNSTABLE READING (nestabilna meritev) Time t > 100 s (čas > 100 s) | Ponovite z  Preglejte sondo. Očistite sondo (za dodatne informacije glejte Čiščenje sonde na strani 237); preverite, da v membrani ni zračnih mehurčkov. Stresite sondo kot termometer; priklopite drugo sondo, da preverite, ali težave povzročata sonda ali merilnik. Preverite, ali sta membrana in diafragma pravilno potopljena v vzorec. |

Tabela 2 Opozorila in napake pri umerjanju (nadaljevanje)


| Napaka/opozorilo | Rešitev |
|--|---|
| Electrode in poor conditions (elektroda v slabem stanju) | Preglejte sondo. Očistite sondo (za dodatne informacije glejte Čiščenje sonde na strani 237); preverite, da v membrani ni zračnih mehurčkov. Stresite sondo kot termometer; priklopite drugo sondo, da preverite, ali težave povzročata sonda ali merilnik. |
| Check the electrode (Preverite elektrodo) | |
| SAME BUFFERS (enaka pufru) | Ponovite z  Preglejte sondo. Očistite sondo (za dodatne informacije glejte Čiščenje sonde na strani 237); preverite, da v membrani ni zračnih mehurčkov. Stresite sondo kot termometer; priklopite drugo sondo, da preverite, ali težave povzročata sonda ali merilnik. Preverite pufersko raztopino; uporabite novo pufersko raztopino. |

Tabela 3 Opozorila in napake pri merjenju


| Napaka/opozorilo | Rešitev |
|------------------------------------|---|
| pH 12,78 pri 19 °C | Ponovite z  |
| pH out of range (pH zunaj razpona) | Preglejte sondo. Očistite sondo (za dodatne informacije glejte Čiščenje sonde na strani 237); preverite, da v membrani ni zračnih mehurčkov. Stresite sondo kot termometer; priklopite drugo sondo, da preverite, ali težave povzročata sonda ali merilnik. |

Tabela 3 Opozorila in napake pri merjenju (nadaljevanje)

| Napaka/opozorilo | Rešitev |
|---|--|
| Temp out of range °C (temperatura zunaj razpona °C) | Preglejte senzor temperature. Priklopite drugo sondo, da preverite, ali težave povzroča sonda ali merilnik. |
| Time > 150 s (čas > 150 s) | Preverite, ali sta membrana in diafragma pravilno potopljene v vzorec. Preverite temperaturo. Preglejte sondo. Očistite sondo (za dodatne informacije glejte Čiščenje sonde na strani 237); preverite, da v membrani ni zračnih mehurčkov. Stresite sondo kot termometer; priklopite drugo sondo, da preverite, ali težave povzroča sonda ali merilnik. |

Nadomestni deli in dodatna oprema

Napotek: Za nekatere prodajne regije se lahko številka izdelka in artikla razlikuje. Za kontaktne informacije stopite v stik z ustreznim prodajalcem ali pa jih poiščite na spletni strani podjetja.

Nadomestni deli

| Opis | Št. elementa |
|--|-----------------|
| sensION+ PH3, laboratorijski pH-merilnik z dodatno opremo, brez sonde | LPV2000.98.0002 |
| sensION+ PH31, laboratorijski pH-merilnik, GLP, z dodatno opremo, brez sonde | LPV2100.98.0002 |
| sensION+ MM340, laboratorijski merilnik pH-vrednosti in ionske moči, GLP, 2 kanala, z dodatno opremo, brez sonde | LPV2200.98.0002 |
| sensION+ EC7, laboratorijski merilnik prevodnosti, z dodatno opremo, brez sonde | LPV3010.98.0002 |

Nadomestni deli (nadaljevanje)

| Opis | Št. elementa |
|---|-----------------|
| sensION+ EC71, laboratorijski merilnik prevodnosti, GLP, z dodatno opremo, brez sonde | LPV3110.98.0002 |
| sensION+ MM374, 2-kanalni laboratorijski merilnik, GLP, dodatna oprema, brez sond | LPV4110.98.0002 |

Potrošni material

| Opis | Št. elementa |
|--|--------------|
| Puferska raztopina pH 4,01; s certifikatom, 125 mL | LZW9460.99 |
| Puferska raztopina pH 7,00; s certifikatom, 125 mL | LZW9461.98 |
| Puferska raztopina pH 10,01; s certifikatom, 125 mL | LZW9470.99 |
| Puferska raztopina pH 4,01; s certifikatom, 250 mL | LZW9463.99 |
| Puferska raztopina pH 7,00; s certifikatom, 250 mL | LZW9464.98 |
| Puferska raztopina pH 10,01; s certifikatom, 250 mL | LZW9471.99 |
| Puferska raztopina pH 4,01; s certifikatom, 1000 mL | LZW9466.99 |
| Puferska raztopina pH 7,00; s certifikatom, 1000 mL | LZW9467.98 |
| Puferska raztopina pH 10,01; s certifikatom, 1000 mL | LZW9472.99 |
| Elektrolitska raztopina (KCl 3 M), 125 ml | LZW9510.99 |
| Elektrolitska raztopina (KCl 3 M), 250 ml | LZW9500.99 |
| Elektrolitska raztopina (KCl 3 M), 50 ml | LZW9509.99 |
| Elektrolitska raztopina 0,1 M, 125 ml | LZW9901.99 |
| Encimska raztopina | 2964349 |
| Čistilna raztopina s pepsinom | 2964349 |
| Čistilna raztopina za elektrode | 2965249 |
| Raztopina 0,1 N HCl | 1481253 |

Pribor

| Opis | Št. elementa |
|--|--------------|
| Magnetni mešalnik z držalom za senzor, za namizne instrumente sensION+ MM | LZW9319.99 |
| 3 50-mililitrske potiskane čaše za umerjanje pH-vrednosti za namizne instrumente | LZW9110.98 |
| Držalo za tri senzorje, za namizne instrumente sensION+ | LZW9321.99 |
| Držalo in sponka za tri senzorje | LZW9155.99 |
| Steklena komora (pyrex), neprekinjene meritve pretoka | LZW9118.99 |
| Zaščita (PP), shranjevanje elektrod | LZW9161.99 |

Standardne raztopine

Tehnične puferske raztopine (DIN 19267)

Za pH-vrednost in ORP (mV) določenih puferskih kompletov pri različnih temperaturah glejte [Tabela 4](#).

Tabela 4 Vrednosti pH, ORP (mV) in temperature

| Temperatura | | pH | | | | | mV |
|-------------|-----------|-------------|-------------|-------------|-------------|--------------|------------|
| °C | °F | | | | | | |
| 0 | 32 | 2,01 | 4,01 | 7,12 | 9,52 | 10,30 | — |
| 10 | 50 | 2,01 | 4,00 | 7,06 | 9,38 | 10,17 | 245 |
| 20 | 68 | 2,00 | 4,00 | 7,02 | 9,26 | 10,06 | 228 |
| 25 | 77 | 2,00 | 4,01 | 7,00 | 9,21 | 10,01 | 220 |
| 30 | 86 | 2,00 | 4,01 | 6,99 | 9,16 | 9,96 | 212 |
| 40 | 104 | 2,00 | 4,03 | 6,97 | 9,06 | 9,88 | 195 |
| 50 | 122 | 2,00 | 4,06 | 6,97 | 8,99 | 9,82 | 178 |
| 60 | 140 | 2,00 | 4,10 | 6,98 | 8,93 | 9,76 | 160 |
| 70 | 158 | 2,01 | 4,16 | 7,00 | 8,88 | — | — |

Tabela 4 Vrednosti pH, ORP (mV) in temperature (nadaljevanje)

| Temperatura | | pH | | | | | mV |
|-------------|-----|------|------|------|------|---|----|
| °C | °F | | | | | | |
| 80 | 176 | 2,01 | 4,22 | 7,04 | 8,83 | — | — |
| 90 | 194 | 2,01 | 4,30 | 7,09 | 8,79 | — | — |

Specifikacije

Specifikacije se mogu promijeniti bez prethodne najave.

| Specifikacije | Pojedinosti |
|---------------------------------------|---|
| Dimenzije | 35 x 20 x 11 cm (13,78 x 7,87 x 4,33 inča) |
| Težina | 1100 g (2,43 lb) |
| Kućište mjerača | IP42 |
| Zahtjevi napajanja (vanjski) | 100–240 V, 0,4 A, 47-63 Hz |
| Klasa zaštite mjerača | Klasa II |
| Temperatura za pohranu | –15 do +65 °C (5 do +149 °F) |
| Radna temperatura | 0 do 40°C (41 do 104°F) |
| Vlaga pri radu | < 80% (bez kondenzacije) |
| Rezolucija | pH: 0.01, ORP: 1 mV, temperatura: 0,1°C (0,18°F) |
| Pogreška kod mjerenja (± 1 znamenka) | pH: ≤ 0.01, ORP: ≤ 1 mV, temperatura: ≤ 0,2°C (≤ 0,36°F) |
| Mogućnost reprodukcije (± 1 znamenka) | pH: ± 0.01, ORP: ± 1 mV, temperatura: ± 0,1°C (± 0,18°F) |
| Spojevi | Kombinirana sonda ili sonda s indikatorom: BNC veza (Imp. >10 ¹² Ω); Referentna elektroda: banana priključak; A.T.C. vrste Pt 1000: banana ili telefonski priključak; magnetska miješalica: RCA priključak |
| Korekcija temperature | Ručno, temperaturna sonda Pt 1000 (A.T.C.), NTC 10 kΩ sonda |
| Blokada prikaza mjerenja | Trajno mjerenje, prema stabilnosti |
| Zaslon | Tekući kristali, pozadinsko osvjetljenje, 128 x 64 točaka |
| Tipkovnica | PET sa zaštitnim slojem |
| Certifikati | CE |

Opći podaci

Izmijenjena izdanja se nalaze na proizvođačevoj web stranici.

Sigurnosne informacije

OBAVIJEST

Proizvođač nije odgovoran za štetu zbog nepravilne primjene ili nepravilne uporabe ovog proizvoda uključujući, bez ograničenja, izravnu, slučajnu i posljedičnu štetu i odriče se odgovornosti za takvu štetu u punom opsegu dopuštenom prema primjenjivom zakonu. Korisnik ima isključivu odgovornost za utvrđivanje kritičnih rizika primjene i za postavljanje odgovarajućih mehanizama za zaštitu postupaka tijekom mogućeg kvara opreme.

Prije raspakiravanja, postavljanja ili korištenja opreme pročitajte cijeli ovaj korisnički priručnik. Poštujte sva upozorenja na opasnost i oprez. Nepoštivanje ove upute može dovesti do tjelesnih ozljeda operatera ili oštećenja na opremi.

Uvjerite se da zaštita koja se nalazi uz ovu opremu nije oštećena. Ne koristite i ne instalirajte ovu opremu na bilo koji način koji nije naveden u ovom priručniku.

Korištenje informacija opasnosti

▲ OPASNOST

Označava potencijalno ili neposredno opasnu situaciju koja će, ako se ne izbjegne, dovesti do smrti ili ozbiljnih ozljeda.

▲ UPOZORENJE

Označava potencijalno ili neposredno opasnu situaciju koja će, ako se ne izbjegne, dovesti do smrti ili ozbiljnih ozljeda.

▲ OPREZ



Označava potencijalno opasnu situaciju koja će dovesti do manjih ili umjerenih ozljeda.

OBAVIJEST

Označava situaciju koja, ako se ne izbjegne će dovesti do oštećenja instrumenta. Informacije koje je potrebno posebno istaknuti.

Naljepnice za upozorenje na oprez

Pročitajte sve naljepnice i oznake na instrumentu. Ako se ne poštuju može doći do tjelesnih ozljeda ili oštećenja instrumenta. Simbol na instrumentu odgovara simbolu u priručniku uz navod o mjerama predostrožnosti.

| | |
|---|---|
|  | Ovaj simbol, ako se nalazi na instrumentu, daje korisnički priručnik kao referencu za informacije o radu i/ili zaštiti. |
|  | Električna oprema označena ovim simbolom ne smije se odlagati u europskim domaćim ili javnim odlagalištima. Staru ili isteklu opremu vratite proizvođaču koji će je odložiti bez naknade. |

Prikaz proizvoda

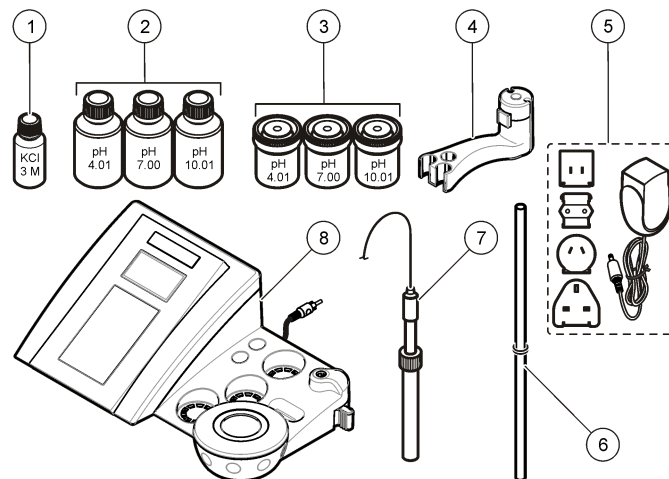
Mjerači sensION™+ koriste se uz sonde za mjerenje raznih parametara u vodi.

Mjerač sensION™+ PH3 mjeri pH, ORP (mV) ili temperaturu.

Komponente proizvoda

Pogledajte [Slika 1](#) kako biste provjerili jesu li vam dostavljene sve komponente. Ako neki od ovih elemenata nedostaje ili je oštećen, odmah se obratite proizvođaču ili prodajnom predstavniku.

Slika 1 Komponente mjerača

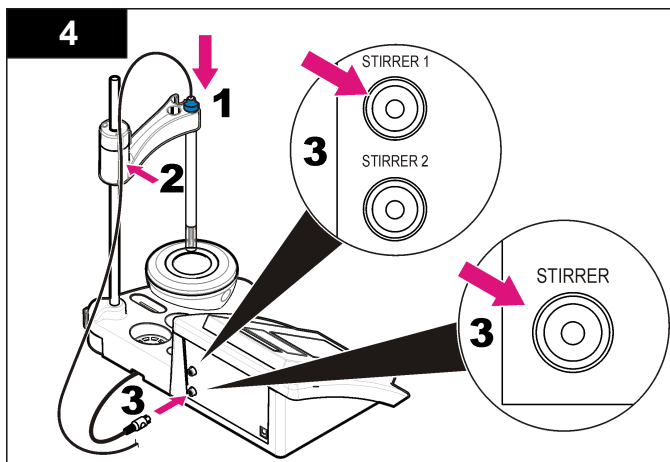
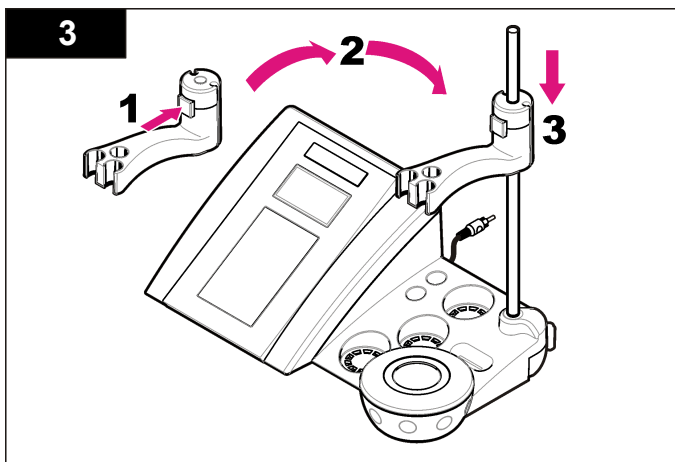
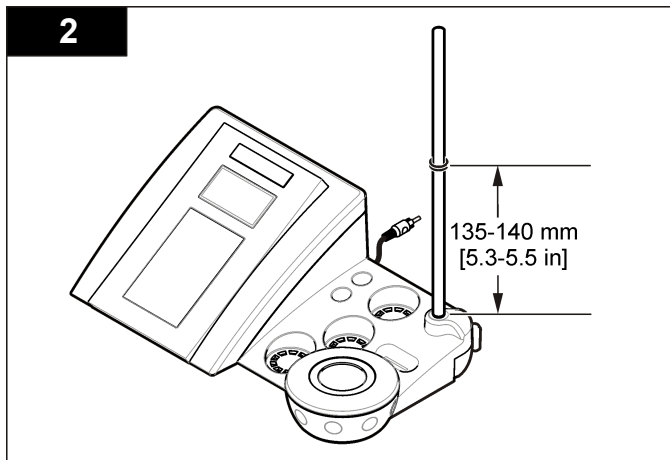
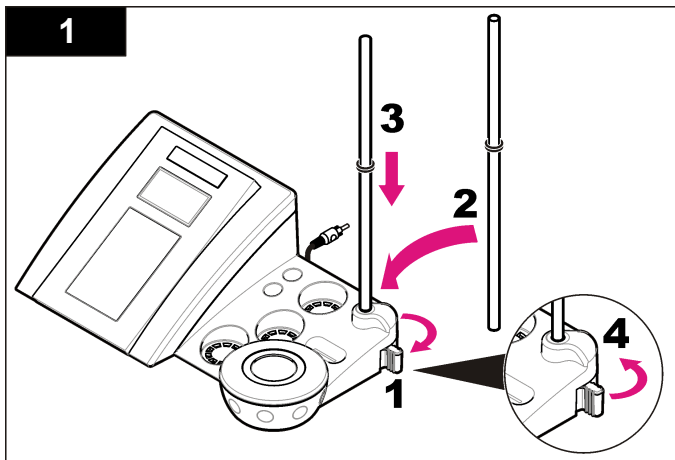


| | |
|--|---|
| 1 Elektrolit za sondu | 5 Napajanje |
| 2 Puferske otopine (pH 4,01, pH 7,00 i pH 10,01) | 6 Štap s prstenastom brtvom |
| 3 Posude za kalibraciju (s magnetskim štapićem) | 7 Sonda (isporučuje se samo s kompletima) |
| 4 Držač sonde | 8 Mjerač |

Instalacija

Sklapanje držača sonde

Pratite numerirane korake za sklapanje držača sonde i priključivanje magnetske miješalice.



Priključivanje izvora izmjeničnog napajanja

⚠ OPASNOST

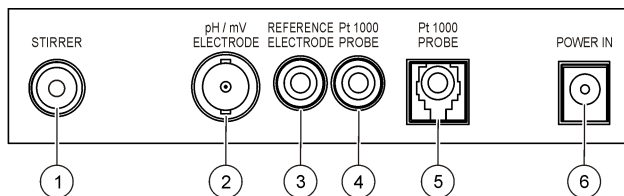


Opasnost od strujnog udara. Ako se ova oprema koristi na otvorenom ili na potencijalno mokrim lokacijama, za priključivanje uređaja na napajanje mora se koristiti zemljospojni prekidač.

Mjerač možete priključiti na izvor izmjeničnog napajanja preko univerzalnog adaptera.

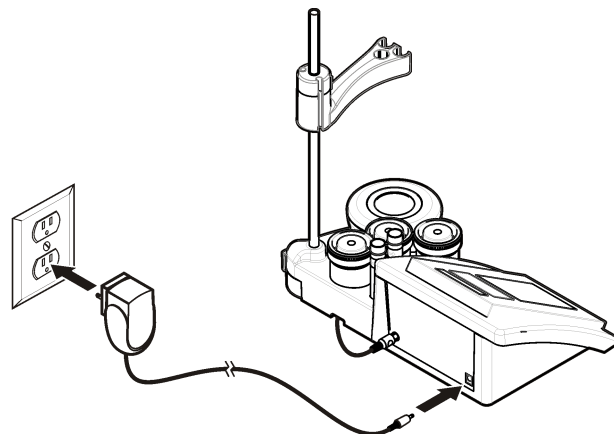
1. Iz kompleta adaptera odaberite odgovarajući priključak adaptera za strujni priključak.
2. Na mjerač priključite univerzalni adapter ([Slika 2](#)).
3. Univerzalni adapter uključite u utičnicu izmjenične struje ([Slika 3](#)).
4. Uključite mjerač.

Slika 2 Ploča s priključcima



| | |
|--|---|
| 1 Priključak magnetske miješalice | 4 Priključak temperaturne sonde |
| 2 Priključak kombinirane pH elektrode (ili indikatora) | 5 Priključak zasebne temperaturne sonde |
| 3 Priključak referentne elektrode (zasebne elektrode) | 6 Napajanje |

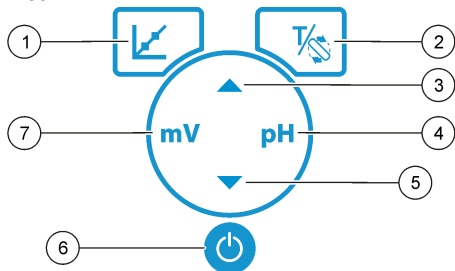
Slika 3 Priključak izmjeničnog napajanja



Korisničko sučelje i navigacija

Korisničko sučelje

Opis tipkovnice

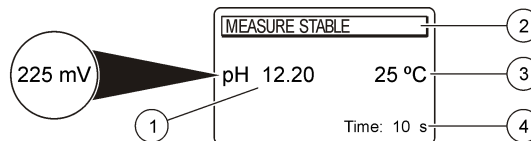


| | |
|--|---|
| 1 Tipka CALIBRATION: pokretanje kalibracije, pregled podataka kalibracije i promjena učestalosti kalibracije | 5 Tipka prema dolje: prelazak na druge opcije, promjena vrijednosti |
| 2 Tipke TEMPERATURE i STIRRER: promjena temperature (°C, °F) ili brzine miješanja | 6 Uključi/Isključi: uključivanje/isključivanje mjerača |
| 3 Tipka prema gore: prelazak na druge opcije, promjena vrijednosti | 7 Tipka za mjerenje mV: pokretanje ORP (mV) mjerenja |
| 4 Tipka za mjerenje pH: pokretanje mjerenja pH | |

Opis zaslona

Zaslon mjerača prikazuje koncentraciju, jedinice, temperaturu, status kalibracije, datum i vrijeme.

Slika 4 Zaslon s jednostrukim prikazom



| | |
|---|---------------------------------------|
| 1 Mjerna jedinica i vrijednost (pH, ORP (mV)) | 3 Temperatura uzorka (°C ili °F) |
| 2 Način mjerenja ili vrijeme i datum | 4 Vizualni mjerač vremena za mjerenje |

Navigacija

Sondu kalibrirajte pomoću tipke za kalibraciju . Pomoću tipke za parametar izvršite mjerenje uzorka. Pomoću tipki TEMPERATURE i STIRRER možete promijeniti temperaturu (°C, °F) ili brzinu miješanja. Pomoću tipki sa strelicama možete se kretati kroz druge opcije ili mijenjati vrijednosti. Tijekom zadatka svakako pratite zaslon jer se prikazi brzo mijenjaju. Potražite specifične upute za svaki zadatak.

Pokretanje

Uključite i isključite mjerač.

OBAVIJEST

Prije uključivanja mjerača provjerite je li sonda priključena na mjerač.

Za uključivanje ili isključivanje mjerača pritisnite . Ako se mjerač ne uključi, provjerite je li napajanje izmjenične struje ispravno priključeno u zidnu utičnicu.

Promjena jezika


Jezik zaslona odabran je kad se po prvi put uključi mjerač.

Pomoću tipke ▲ ili ▼ odaberite jezik s popisa. Mjerač će se nakon 3 sekunde automatski vratiti na zaslon mjerenja.

Napomena: ▲ Za promjenu jezika s glavnog izbornika pritisnite .

Standardni rad




Kalibracija


| ⚠ OPASNOST | |
|---|--|
|  | Opasnost od izlaganja kemikalijama. Poštujte laboratorijske sigurnosne propise i opremite se svom odgovarajućom osobnom zaštitnom opremom s obzirom na kemikalije kojima ćete rukovati. Sigurnosne protokole potražite na trenutno važećim sigurnosno tehničkim listovima materijala (MSDS/SDS). |

Postupak kalibracije

Ovo je postupak za opću upotrebu s tekućim kalibracijskim otopinama. Dodatne informacije potražite u dokumentima koji su priloženi uz svaku sondu.


Napomena: Tijekom kalibracije, otopine je potrebno miješati. Dodatne informacije o postavkama miješanja potražite pod [Promjena postavki miješanja](#) na stranici 248.

1. Puferske ili kalibracijske otopine izlijte u označene kalibracijske posude.
2. Na glavnom zaslonu pritisnite  za odabir pH ili mV kalibracije.
3. Ispirite sondu deioniziranom vodom i postavite je u prvu kalibracijsku posudu. U membrani ne smije biti mjehurića zraka.
4. Za mjerenje prve kalibracijske otopine pritisnite  . Prikazat će se sljedeća kalibracijska otopina.
5. Ispirite sondu deioniziranom vodom i postavite je u drugu kalibracijsku posudu. U membrani ne smije biti mjehurića zraka.
6. Za mjerenje druge kalibracijske otopine pritisnite  . Prikazat će se sljedeća kalibracijska otopina.
7. Ispirite sondu deioniziranom vodom i postavite je u treću kalibracijsku posudu. U membrani ne smije biti mjehurića zraka.

8. Za mjerenje treće kalibracijske otopine pritisnite  . Ako je kalibracija uspjela, na zaslonu će se nakratko prikazati 3rd Buffer OK (3. puferska otopina u redu), a zatim će se prikazati glavni zaslon.

Pregled podataka kalibracije


Možete prikazati podatke najnovije kalibracije.

1. Na glavnom izborniku pritisnite  .
2. Za pregled posljednjih podataka kalibracije koristite ▼ . Mjerač će se nakon 3 sekunde automatski vratiti na zaslon mjerenja.

Postavljanje podsjetnika za kalibraciju

Podsjetnik za kalibraciju možete postaviti na vrijednost između 0 i 23 sata ili 1-7 dana (zadana vrijednost je 1 dan). Zaslon će prikazati vrijeme preostalo do nove kalibracije.

Napomena: Odaberete li 0 dana, podsjetnik za kalibraciju će se isključiti.

1. Na glavnom izborniku pritisnite  , a zatim pritišćite ▼ sve dok se na zaslonu ne prikaže učestalost kalibracije.
2. Pomoću tipke ▲ ili ▼ promijenite vrijednost. Mjerač će se nakon 3 sekunde automatski vratiti na zaslon mjerenja.

Mjerenja uzorka

Svaka sonda ima specifične korake za pripremu i postupke za obavljanje mjerenja uzorka. Detaljne upute potražite u dokumentima koji su priloženi uz sondu.

Napomena: Otopine se trebaju miješati tijekom mjerenja. Dodatne informacije o postavkama miješanja potražite pod [Promjena postavki miješanja](#) na stranici 248.

Napomena: Ako temperatura sonda nije priključena, tijekom mjerenja ORP (mV) neće se prikazivati temperatura.

Za mjerenja uzorka pritisnite pH ili ORP (mV). Tijekom mjerenja, parametar će treperiti, a mjerač vremena prikazivat će vrijeme stabilizacije. Za promjenu parametara mjerenja (ako je primjenjivo), pritisnite i držite pritisnutim pH ili ORP (mV).

Za neprekidno mjerenje uzorka pritisnite pH ili ORP (mV) kako biste započeli mjerenje i zatim opet pritisnite pH ili ORP (mV) tijekom

stabilizacije. Parametar će zatreperti kako bi označio način rada trajnog mjerenja.

Napredni rad

Promjena datuma i vremena

Datum i vrijeme mogu se promijeniti u izborniku Date and Time (Datum i vrijeme).

1. Pomoću tipke ▼ prijdite na izbornik s datumom i vremenom. Format datuma i vremena: dd-mm-gggg 24h. Atribut za promjenu automatski će se označiti i prijeći će se na sljedeći atribut ako ne pritisnete ▲ ili ▼.
2. Za promjenu atributa pritisnite ▲ ili ▼ nakon odabira označenog atributa. Trenutačni datum i vrijeme prikazuju se na zaslonu.

Podešavanje kontrasta zaslona

1. Istovremeno pritisnite ▲ i ▼ za otvaranje izbornika Display contrast (Kontrast zaslona).
2. Pomoću tipke ▲ ili ▼ podesite kontrast zaslona. Mjerač će se nakon 3 sekunde automatski vratiti na zaslon mjerenja.

Promjena postavki miješanja

Brzinu miješanja možete promijeniti tijekom kalibracije i tijekom mjerenja.

1. Za otvaranje izbornika miješanja pritisnite $\frac{T}{S}$ tijekom kalibracije ili tijekom mjerenja.
2. Pomoću tipke ▲ ili ▼ promijenite brzinu miješanja u postocima.

Promjena jedinica za temperaturu

Jedinice za temperaturu možete promijeniti u Celsius ili Fahrenheit.

1. Na glavnom zaslonu pritisnite $\frac{T}{S}$.

2. Pritisnite $\frac{T}{S}$ kako biste odabrali Celsius ili Fahrenheit.

Održavanje

▲ OPREZ



Višestruka opasnost. Zadatke opisane u ovom odjeljku priručnika treba obavljati isključivo kvalificirano osoblje.

OBAVIJEST

Ne rastavljajte instrument radi održavanja. U slučaju potrebe za čišćenjem ili popravkom internih dijelova, obratite se proizvođaču.

Čišćenje instrumenta

OBAVIJEST

Za čišćenje instrumenta, što uključuje i zaslon te dodatnu opremu, nikad nemojte koristiti sredstva za čišćenje poput terpentina, acetona i sličnih proizvoda.

Vanjsku površinu instrumenta očistite pomoću vlažne krpe i blage otopine sapuna.

Čišćenje sonde

Prema potrebi očistite sondu. Dodatne informacije o čišćenju potražite pod [Rješavanje problema](#) na stranici 251. Informacije o održavanju sonde potražite u dokumentaciji sonde.

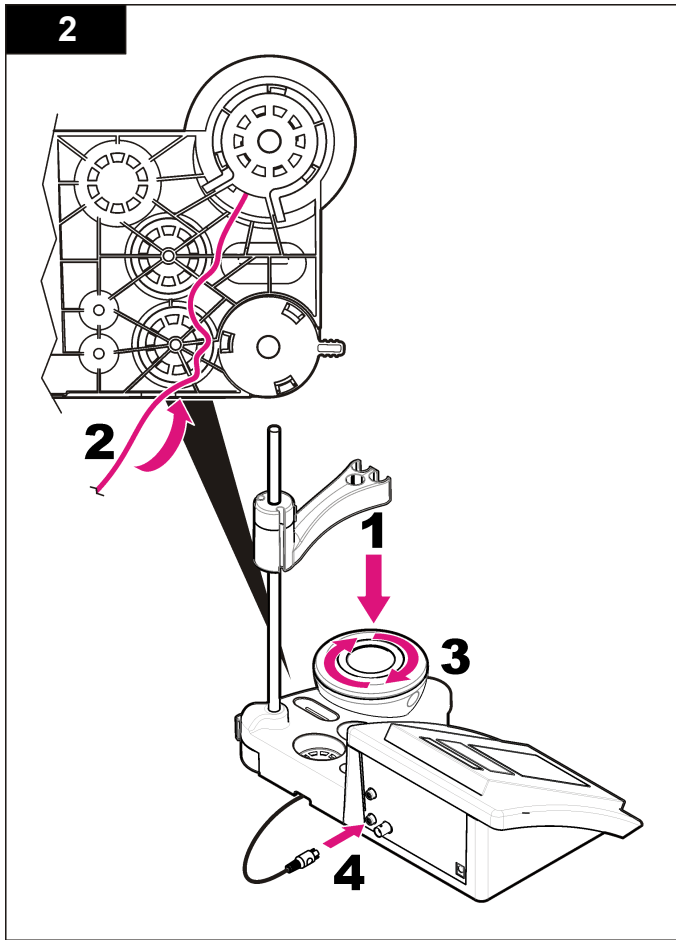
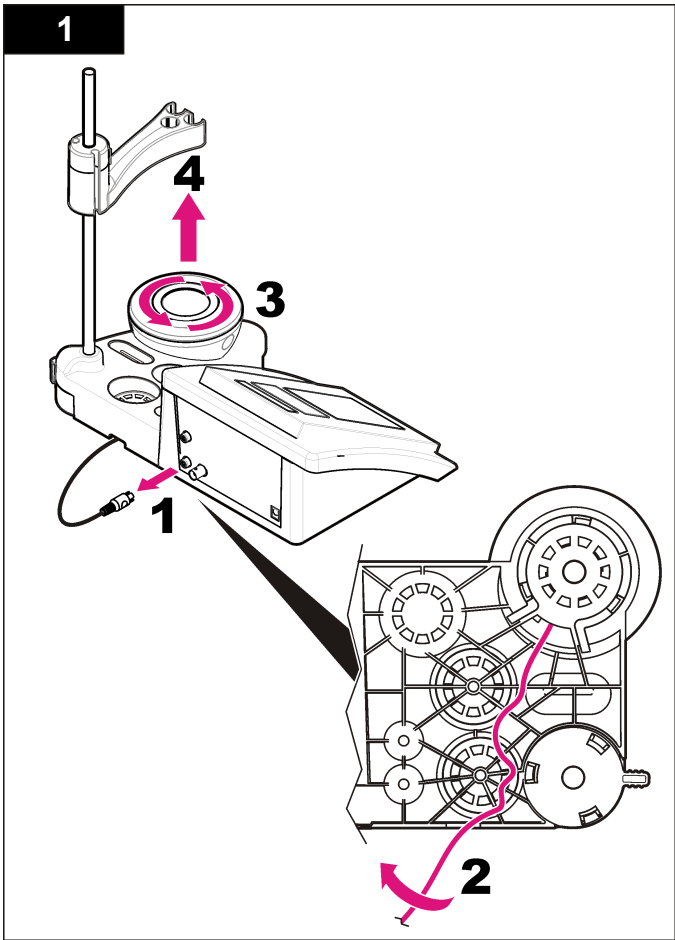
Nečistoće na pH sondi očistite pomoću sredstava za čišćenje koja su navedena pod [Tablica 1](#).

Tablica 1 Sredstva za čišćenje za pH sondu

| Onečišćenje | Sredstvo za čišćenje |
|-----------------------|---------------------------------|
| Proteini | Otopina za čišćenje s pepsinom |
| Maziva, ulja, masnoće | Otopina za čišćenje elektrode |
| Kamenac | 0.1 N otopina klorovodika (HCl) |

Zamjena magnetske miješalice




Ako se magnetska miješalica ne pokrene, slijedite numerirane korake kako biste je zamijenili.




Rješavanje problema

Pogledajte sljedeću tablicu za učestale poruke o problemu ili simptomu, moguće uzroke i radnje za korekciju.


Tablica 2 Upozorenja i pogreške za kalibraciju

| Pogreška/upozorenje | Rješenje |
|--|---|
| Asymmetry > 58 mV (Asimetrija > 58 mV) | Nagib izvan raspona (prihvaćene vrijednosti \pm 58 mV). Ponovite s  . Priključite novu sondu. |
| Buffer or electrode in poor conditions. (Puferska otopina ili elektroda u lošem stanju.) | Ponovite s  . Pregledajte sondu: Očistite sondu (dodatne informacije potražite pod Čišćenje sonde na stranici 248); u membrani ne smije biti mjehurića zraka. Protresite sondu poput termometra; Priključite drugu sondu kako biste provjerili je li problem u sondi ili mjerачu. |
| Sens. (a) < 70% | Provjerite pufersku otopinu: Provjerite odgovara li korištena puferska otopina onoj navedenoj u konfiguraciji; provjerite temperaturene specifikacije u konfiguraciji; koristite novu pufersku otopinu. |
| BUFFER NOT RECOGNIZED (PUFERSKA OTOPIINA NIJE PREPOZNATA) | |
| UNSTABLE READING (NESTABILNA OČITANJA) Time t > 100 s (Vrijeme t > 100 s) | Ponovite s  . Pregledajte sondu: Očistite sondu (dodatne informacije potražite pod Čišćenje sonde na stranici 248); u membrani ne smije biti mjehurića zraka. Protresite sondu poput termometra; priključite drugu sondu kako biste vidjeli je li problem u sondi ili mjerачu. Membrana i dijafragma moraju biti ispravno uronjene u vodu. |

Tablica 2 Upozorenja i pogreške za kalibraciju (nastavak)

| Pogreška/upozorenje | Rješenje |
|--|--|
| Electrode in poor conditions. (Elektroda u lošem stanju.) | Pregledajte sondu: Očistite sondu (dodatne informacije potražite pod Čišćenje sonde na stranici 248); u membrani ne smije biti mjehurića zraka. Protresite sondu poput termometra; priključite drugu sondu kako biste vidjeli je li problem u sondi ili mjerачu. |
| Check the electrode (Provjerite elektrodu) | |
| SAME BUFFERS (ISTE PUFERSKE OTOPIINE) | Ponovite s  . Pregledajte sondu: Očistite sondu (dodatne informacije potražite pod Čišćenje sonde na stranici 248); u membrani ne smije biti mjehurića zraka. Protresite sondu poput termometra; priključite drugu sondu kako biste vidjeli je li problem u sondi ili mjerачu. Provjerite pufersku otopinu: Upotrijebite novu pufersku otopinu. |

Tablica 3 Upozorenja i pogreške kod mjerenja

| Pogreška/upozorenje | Rješenje |
|------------------------------------|--|
| pH 12.78 19°C | Ponovite s  . |
| pH out of range (pH izvan raspona) | Pregledajte sondu: Očistite sondu (dodatne informacije potražite pod Čišćenje sonde na stranici 248); u membrani ne smije biti mjehurića zraka. Protresite sondu poput termometra; priključite drugu sondu kako biste vidjeli je li problem u sondi ili mjerачu. |

Tablica 3 Upozorenja i pogreške kod mjerenja (nastavak)

| Pogreška/upozorenje | Rješenje |
|--|---|
| Temp out of range °C (Temperatura izvan raspona °C) | Provjerite temperaturni senzor. Priključite drugu sondu kako biste utvrdili je li problem u sondi ili mjerачu. |
| Time > 150 s (Vrijeme > 150 s) | Membrana i dijafragma moraju biti ispravno uronjene u vodu. Provjerite temperaturu. Pregledajte sondu: Očistite sondu (dodatne informacije potražite pod Čišćenje sonde na stranici 248); u membrani ne smije biti mješurica zraka. Protresite sondu poput termometra; priključite drugu sondu kako biste vidjeli je li problem u sondi ili mjerачu. |

Zamjenski dijelovi i dodaci

Napomena: Brojevi proizvoda i artikla mogu varirati za neke regije prodaje. Obratite se odgovarajućem distributeru ili pogledajte web stranicu tvrtke za kontaktne podatke.

Zamjenski dijelovi

| Opis | Broj proizvoda |
|--|-----------------|
| sensION+ PH3 laboratorijski mjerач pH s dodacima, bez sonde | LPV2000.98.0002 |
| sensION+ PH31 laboratorijski mjerач pH, GLP, s dodacima, bez sonde | LPV2100.98.0002 |
| sensION+ MM340 laboratorijski mjerач pH & iona, GLP, 2 kanala, s dodacima, bez sonde | LPV2200.98.0002 |
| sensION+ EC7 laboratorijski mjerач vodljivosti, s dodacima, bez sonde | LPV3010.98.0002 |

Zamjenski dijelovi (nastavak)

| Opis | Broj proizvoda |
|---|-----------------|
| sensION+ EC71 laboratorijski mjerач vodljivosti, GLP, s dodacima, bez sonde | LPV3110.98.0002 |
| sensION+ MM374, 2-kanalni laboratorijski mjerач, GLP, dodaci, bez sonde | LPV4110.98.0002 |

Potrošni materijal

| Opis | Broj proizvoda |
|--------------------------------------|----------------|
| pH puferška otopina 4,01; 125 mL | LZW9460.99 |
| pH puferška otopina 7,00; 125 mL | LZW9461.98 |
| pH puferška otopina 10,01; 125 mL | LZW9470.99 |
| pH puferška otopina 4,01; 250 mL | LZW9463.99 |
| pH puferška otopina 7,00; 250 mL | LZW9464.98 |
| pH puferška otopina 10,01; 250 mL | LZW9471.99 |
| pH puferška otopina 4,01; 1000 mL | LZW9466.99 |
| pH puferška otopina 7,00; 1000 mL | LZW9467.98 |
| pH puferška otopina 10,01; 1000 mL | LZW9472.99 |
| Otopina elektrolita (KCl 3M), 125 mL | LZW9510.99 |
| Otopina elektrolita (KCl 3M), 250 mL | LZW9500.99 |
| Otopina elektrolita (KCl 3M), 50 mL | LZW9509.99 |
| Otopina elektrolita 0,1 M, 125 mL | LZW9901.99 |
| Enzimška otopina | 2964349 |
| Otopina za čišćenje s pepsinom | 2964349 |
| Otopina za čišćenje elektrode | 2965249 |
| 0,1 N otopina klorovodika (HCl) | 1481253 |

Dodaci

| Opis | Broj proizvoda |
|---|----------------|
| Magnetska miješalica s držačem senzora, za sustav sensiON+ MM | LZW9319.99 |
| 3x50 mL gravirane posude za stolnu pH kalibraciju | LZW9110.98 |
| Držač za tri senzora, za stolne instrumente sensiON+ | LZW9321.99 |
| Držač i hvataljka za tri senzora | LZW9155.99 |
| Pregrada od jenskog stakla, mjerenja trajnog protoka | LZW9118.99 |
| PP zaštita, pohrana elektrode | LZW9161.99 |

Tablica 4 pH, ORP (mV) i temperature vrijednosti (nastavak)

| Temperatura | | pH | | | | | mV |
|-------------|-----|------|------|------|------|---|----|
| °C | °F | | | | | | |
| 80 | 176 | 2.01 | 4.22 | 7.04 | 8.83 | — | — |
| 90 | 194 | 2.01 | 4.30 | 7.09 | 8.79 | — | — |

Standardne otopine

Tehničke puferne otopine (DIN 19267)

Pogledajte [Tablica 4](#) za pH i ORP (mV) vrijednosti skupova specifičnih pufernih otopina pri raznim temperaturama.

Tablica 4 pH, ORP (mV) i temperature vrijednosti

| Temperatura | | pH | | | | | mV |
|-------------|-----------|-------------|-------------|-------------|-------------|--------------|------------|
| °C | °F | | | | | | |
| 0 | 32 | 2.01 | 4.01 | 7.12 | 9.52 | 10.30 | — |
| 10 | 50 | 2.01 | 4.00 | 7.06 | 9.38 | 10.17 | 245 |
| 20 | 68 | 2.00 | 4.00 | 7.02 | 9.26 | 10.06 | 228 |
| 25 | 77 | 2.00 | 4.01 | 7.00 | 9.21 | 10.01 | 220 |
| 30 | 86 | 2.00 | 4.01 | 6.99 | 9.16 | 9.96 | 212 |
| 40 | 104 | 2.00 | 4.03 | 6.97 | 9.06 | 9.88 | 195 |
| 50 | 122 | 2.00 | 4.06 | 6.97 | 8.99 | 9.82 | 178 |
| 60 | 140 | 2.00 | 4.10 | 6.98 | 8.93 | 9.76 | 160 |
| 70 | 158 | 2.01 | 4.16 | 7.00 | 8.88 | — | — |

Προδιαγραφές

Οι προδιαγραφές ενδέχεται να αλλάξουν χωρίς προειδοποίηση.

| Προδιαγραφή | Λεπτομέρειες |
|------------------------------------|--|
| Διαστάσεις | 35 x 20 x 11 cm (13,78 x 7,87 x 4,33 in.) |
| Βάρος | 1100 g (2,43 lb) |
| Περιβλημα μετρητή | IP 42 |
| Απαιτήσεις τροφοδοσίας (εξωτερική) | 100–240 V, 0,4 A, 47–63 Hz |
| Κατηγορία προστασίας μετρητή | Κατηγορία II |
| Θερμοκρασία αποθήκευσης | –15 έως +65 °C (5 έως 149 ° F) |
| Θερμοκρασία λειτουργίας | 0 έως 40 °C (41 έως 104 °F) |
| Υγρασία λειτουργίας | < 80% (χωρίς συμπύκνωση) |
| Ανάλυση | pH: 0.01, ORP: 1 mV, θερμοκρασία: 0,1 °C (0,18 °F) |
| Σφάλμα μέτρησης (± 1 ψηφίο) | pH: ≤ 0.01, ORP: ≤ 1 mV, θερμοκρασία: ≤ 0,2 °C (≤ 0,36 °F) |
| Επαναληψιμότητα (± 1 ψηφίο) | pH: ± 0.01, ORP: ± 1 mV, θερμοκρασία: ± 0,1 °C (± 0,18 °F) |
| Συνδέσεις | Συνδουασμένο αισθητήριο ή αισθητήριο ενδείκτη: Σύνδεσμος BNC (Σύνθετη αντίσταση >10 ¹² Ω), Ηλεκτροδίο αναφοράς: Σύνδεσμος τύπου "μπανάνα", A.T.C. τύπου Pt 1000: Σύνδεσμος τύπου "μπανάνα" ή τηλεφώνου, μαγνητικός αναδευτήρας: Σύνδεσμος RCA |
| Διόρθωση θερμοκρασίας | Χειροκίνητη, αισθητήριο θερμοκρασίας Pt 1000 (A.T.C.), NTC 10 αισθητήριο kΩ |
| Κλειδωμα οθόνης μέτρησης | Συνεχής μέτρηση, βάσει σταθερότητας |
| Οθόνη | Υγρών κρυστάλλων, οπίσθιου φωτισμού, 128 x 64 dot |

| Προδιαγραφή | Λεπτομέρειες |
|--------------|----------------------------------|
| Πληκτρολόγιο | PET με προστατευτική επεξεργασία |
| Πιστοποίηση | CE |

Γενικές πληροφορίες

Αναθεωρημένες εκδόσεις διατίθενται από τον ιστοχώρο του κατασκευαστή.

Πληροφορίες σχετικά με την ασφάλεια

ΕΙΔΟΠΟΙΗΣΗ

Ο κατασκευαστής δεν φέρει ευθύνη για τυχόν ζημιές εξαιτίας της λανθασμένης εφαρμογής ή χρήσης του παρόντος προϊόντος, συμπεριλαμβανομένων, χωρίς περιορισμό, των άμεσων, συμπτωματικών και παρεπόμενων ζημιών, και αποποιείται τέτοιες ζημιές στη μέγιστη έκταση που επιτρέπει το εφαρμοστέο δίκαιο. Ο χρήστης είναι αποκλειστικά υπεύθυνος για την αναγνώριση των σημαντικών κινδύνων εφαρμογής και την εγκατάσταση των κατάλληλων μηχανισμών με στόχο την προστασία των διεργασιών κατά τη διάρκεια μιας πιθανής δυσλειτουργίας του εξοπλισμού.

Παρακαλούμε διαβάστε ολόκληρο αυτό το εγχειρίδιο προτού αποσυσκευάσετε, εγκαταστήσετε ή λειτουργήσετε αυτόν τον εξοπλισμό. Προσέξτε όλες τις υποδείξεις κινδύνου και προσοχής. Η παράλειψη μπορεί να οδηγήσει σε σοβαρούς τραυματισμούς του χειριστή ή σε ζημιές της συσκευής.

Διασφαλίστε ότι δεν θα προκληθεί καμία βλάβη στις διατάξεις προστασίας αυτού του εξοπλισμού. Μην χρησιμοποιείτε και μην εγκαθιστάτε τον συγκεκριμένο εξοπλισμό με κανέναν άλλον τρόπο, εκτός από αυτούς που προσδιορίζονται στο παρόν εγχειρίδιο.

Χρήση των πληροφοριών προειδοποίησης κινδύνου

⚠ ΚΙΝΔΥΝΟΣ

Υποδεικνύει κάποια ενδεχόμενη ή επικείμενη επικίνδυνη κατάσταση, η οποία, εάν δεν αποτραπεί, θα οδηγήσει σε θάνατο ή σοβαρό τραυματισμό.

▲ ΠΡΟΕΙΔΟΠΟΙΗΣΗ

Υποδεικνύει ενδεχόμενη ή επικείμενη επικίνδυνη κατάσταση, η οποία, αν δεν αποτραπεί, θα μπορούσε να προκαλέσει θάνατο ή σοβαρό τραυματισμό.

▲ ΠΡΟΣΟΧΗ



Υποδεικνύει κάποια ενδεχόμενη επικίνδυνη κατάσταση, η οποία μπορεί να καταλήξει σε ελαφρό ή μέτριο τραυματισμό.

ΕΙΔΟΠΟΙΗΣΗ

Υποδεικνύει κατάσταση που, εάν δεν αποτραπεί, μπορεί να προκληθεί βλάβη στο όργανο. Πληροφορίες που απαιτούν ειδική έμφαση.

Ετικέτες προειδοποίησης

Διαβάστε όλες τις ετικέτες και τις πινακίδες που είναι επικολλημένες στο όργανο. Εάν δεν τηρήσετε τις οδηγίες τους, ενδέχεται να προκληθεί τραυματισμός ή ζημιά στο όργανο. Το κάθε σύμβολο που θα δείτε στο όργανο, αναφέρεται στο εγχειρίδιο μαζί με την αντίστοιχη δήλωση προειδοποίησης.

| | |
|---|---|
|  | Το σύμβολο αυτό, εάν υπάρχει επάνω στο όργανο, παραπέμπει σε πληροφορίες σχετικά με την ασφάλεια ή/και το χειρισμό, στο εγχειρίδιο λειτουργίας. |
|  | Αν ο ηλεκτρικός εξοπλισμός φέρει το σύμβολο αυτό, δεν επιτρέπεται η απόρριψή του σε ευρωπαϊκά οικιακά και δημόσια συστήματα συλλογής απορριμμάτων. Μπορείτε να επιστρέψετε παλιό εξοπλισμό ή εξοπλισμό του οποίου η ωφέλιμη διάρκεια ζωής έχει παρέλθει στον κατασκευαστή για απόρριψη, χωρίς χρέωση για το χρήστη. |

Επισκόπηση προϊόντος

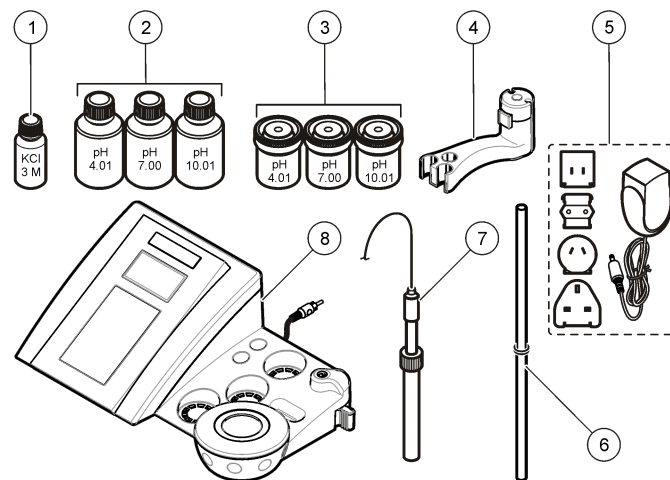
Οι μετρητές sensION™+ χρησιμοποιούνται με αισθητήρες για τη μέτρηση διαφόρων παραμέτρων στο νερό.

Ο μετρητής sensION™+ PH3 μετρά το pH, το ORP (mV) ή τη θερμοκρασία.

Εξαρτήματα προϊόντος

Ανατρέξτε στο [Εικόνα 1](#) για να βεβαιωθείτε ότι όλα τα εξαρτήματα έχουν παραληφθεί. Εάν κάποιο αντικείμενο λείπει ή είναι χαλασμένο, επικοινωνήστε αμέσως με τον κατασκευαστή ή με έναν αντιπρόσωπο πωλήσεων.

Εικόνα 1 Εξαρτήματα μετρητή

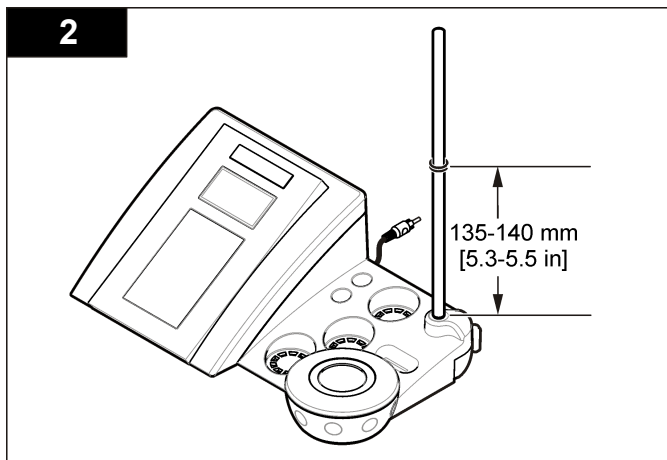
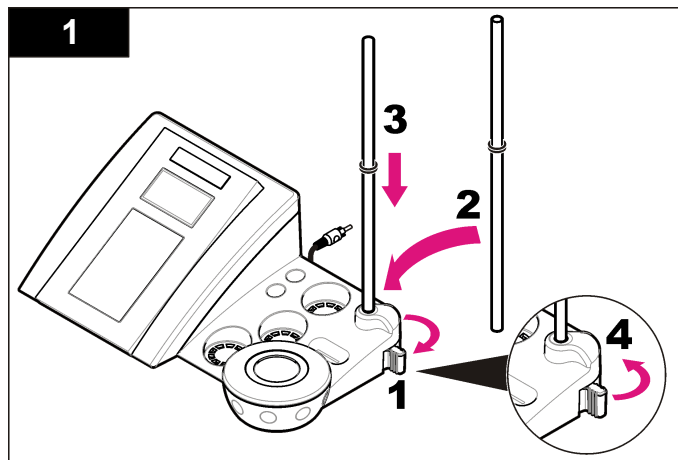


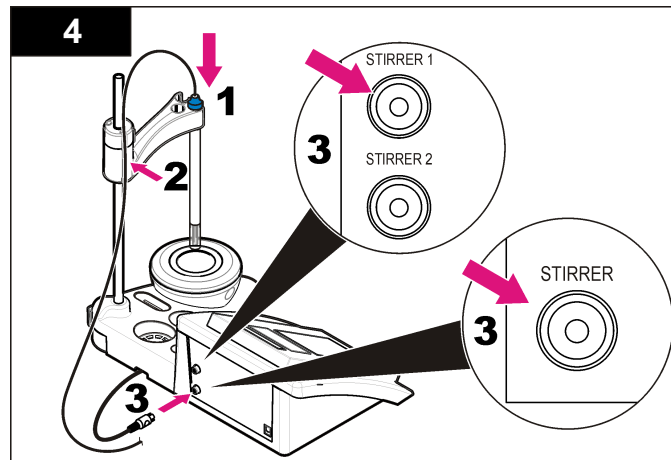
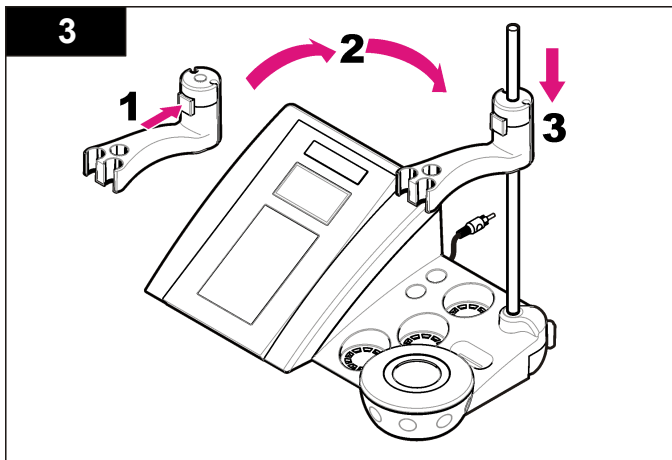
| | |
|--|--|
| 1 Ηλεκτρολύτης για το ηλεκτρόδιο | 5 Τροφοδοτικό |
| 2 Ρυθμιστικά διαλύματα (pH 4,01, pH 7,00 και pH 10,01) | 6 Ράβδος με δακτύλιο κυκλικής διατομής |
| 3 Ποτήρια ζέσεως βαθμονόμησης (με μαγνητική ράβδο στο εσωτερικό) | 7 Ηλεκτρόδιο (περιλαμβάνεται μόνο στα kit) |
| 4 Βάση ηλεκτροδίου | 8 Μετρητής |

Εγκατάσταση

Συναρμολόγηση της βάσης αισθητηρίου

Ακολουθήστε τα αριθμημένα βήματα για να συναρμολογήσετε τη βάση αισθητηρίου και να συνδέσετε το μαγνητικό αναδευτήρα.





Σύνδεση σε ρεύμα AC

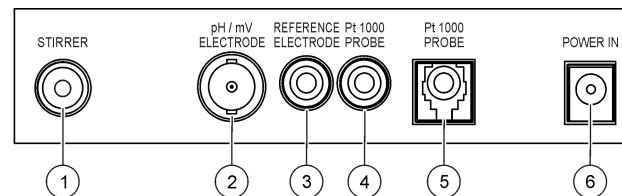
⚠ ΚΙΝΔΥΝΟΣ

Κίνδυνος ηλεκτροπληξίας. Εάν αυτός ο εξοπλισμός χρησιμοποιείται σε εξωτερικό χώρο ή δυναμικά υγρή τοποθεσία, πρέπει να χρησιμοποιηθεί μια συσκευή διακοπής κυκλώματος λόγω σφάλματος γείωσης (GFCI/GFI) για τη σύνδεση του εξοπλισμού στην κύρια πηγή τροφοδοσίας του.

Ο μετρητής μπορεί να τροφοδοτηθεί από ρεύμα AC με το γενικό προσαρμογέα ρεύματος.

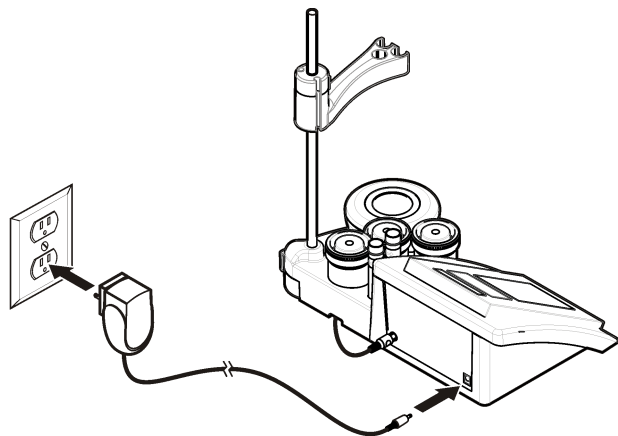
1. Επιλέξτε το σωστό βύσμα προσαρμογέα για την έξοδο τροφοδοσίας από το kit προσαρμογέα.
2. Συνδέστε το γενικό προσαρμογέα ρεύματος στο μετρητή (Εικόνα 2).
3. Συνδέστε το γενικό προσαρμογέα ρεύματος σε μια υποδοχή AC (Εικόνα 3).
4. Ενεργοποιήστε το μετρητή.

Εικόνα 2 Πίνακας συνδέσεων



| | | | |
|---|---|---|---|
| 1 | Σύνδεσμος μαγνητικού αναδευτήρα | 4 | Σύνδεσμος αισθητηρίου θερμοκρασίας |
| 2 | Σύνδεσμος συνδυασμένου ηλεκτροδίου pH (ή ενδείκτη) | 5 | Σύνδεσμος ξεχωριστού αισθητηρίου θερμοκρασίας |
| 3 | Σύνδεσμος ηλεκτροδίου αναφοράς (ξεχωριστά ηλεκτρόδια) | 6 | Τροφοδοτικό |

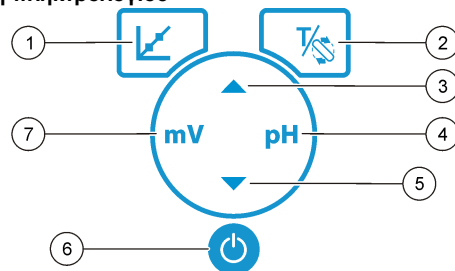
Εικόνα 3 Σύνδεση ρεύματος AC



Διεπαφή και πλοήγηση χρήστη

Διεπαφή χειριστή

Περιγραφή πληκτρολογίου

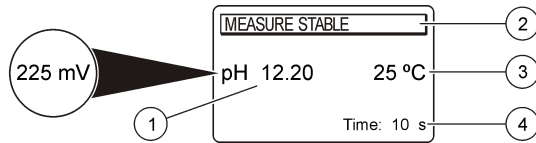


| | |
|---|--|
| <p>1 Πλήκτρο ΒΑΘΜΟΝΟΜΗΣΗΣ: Έναρξη βαθμονόμησης, προβολή δεδομένων βαθμονόμησης, και αλλαγή της συχνότητας βαθμονόμησης</p> | <p>5 Πλήκτρο ΚΑΤΩ: Κύλιση σε άλλες επιλογές, αλλαγή τιμής</p> |
| <p>2 Πλήκτρα TEMPERATURE (ΘΕΡΜΟΚΡΑΣΙΑ) και STIRRER (ΑΝΑΔΕΥΤΗΡΑΣ): Αλλαγή της θερμοκρασίας (°C, °F) ή της ταχύτητας ανάδευσης</p> | <p>6 ON/OFF: Ενεργοποίηση/απενεργοποίηση του μετρητή</p> |
| <p>3 Πλήκτρο ΕΠΙΑΝΩ: Κύλιση σε άλλες επιλογές, αλλαγή τιμής</p> | <p>7 Πλήκτρο μέτρησης mV: Έναρξη μέτρησης ORP (mV)</p> |
| <p>4 Πλήκτρο μέτρησης pH: Έναρξη μέτρησης pH</p> | |

Περιγραφή οθόνης

Η οθόνη μετρητή εμφανίζει τη συγκέντρωση, τις μονάδες, τη θερμοκρασία, την κατάσταση βαθμονόμησης, την ημερομηνία και την ώρα.

Εικόνα 4 Εμφάνιση μίας οθόνης



| | |
|---|-----------------------------------|
| 1 Μονάδα μέτρησης και τιμή (pH, ORP (mV)) | 3 Θερμοκρασία δείγματος (°C ή °F) |
| 2 Κατάσταση μέτρησης ή ημερομηνία και ώρα | 4 Οπτικός χρονοδιακόπτης μέτρησης |

Πλοήγηση

Χρησιμοποιήστε το πλήκτρο βαθμονόμησης για να βαθμονομήσετε το αισθητήριο. Χρησιμοποιήστε το πλήκτρο παραμέτρου για να πραγματοποιήσετε μέτρηση δείγματος. Χρησιμοποιήστε τα πλήκτρα TEMPERATURE (ΘΕΡΜΟΚΡΑΣΙΑ) και STIRRER (ΑΝΑΔΕΥΤΗΡΑΣ) για να αλλάξετε τη θερμοκρασία (°C, °F) ή την ταχύτητα ανάδευσης.

Χρησιμοποιήστε τα πλήκτρα με τα βέλη για να πραγματοποιήσετε κύλιση σε άλλες επιλογές ή για να αλλάξετε μια τιμή. Βεβαιωθείτε ότι κοιτάζετε την οθόνη κατά τη διάρκεια των εργασιών καθώς οι προβολές αλλάζουν γρήγορα. Ανατρέχετε σε κάθε εργασία για συγκεκριμένες οδηγίες.

Εκκίνηση

Ενεργοποίηση και απενεργοποίηση του μετρητή

ΕΙΔΟΠΟΙΗΣΗ

Βεβαιωθείτε ότι το ηλεκτρόδιο είναι συνδεδεμένο στο μετρητή προτού ενεργοποιήσετε το μετρητή.

Πίστετε το για να ενεργοποιήσετε ή να απενεργοποιήσετε το μετρητή. Εάν δεν είναι δυνατή η ενεργοποίηση του μετρητή, βεβαιωθείτε ότι το τροφοδοτικό AC είναι σωστά συνδεδεμένο σε ηλεκτρική πρίζα.

Αλλαγή γλώσσας

Η γλώσσα οθόνης επιλέγεται όταν ο μετρητής ενεργοποιείται για πρώτη φορά.

Χρησιμοποιήστε το πλήκτρο ή για να επιλέξετε γλώσσα από μια λίστα. Ο μετρητής επιστρέφει αυτομάτως στην οθόνη μέτρησης μετά από 3 δευτερόλεπτα.

Σημείωση: Για να αλλάξετε τη γλώσσα από το κύριο μενού, πατήστε το πλήκτρο .

Τυπική λειτουργία

Βαθμονόμηση

▲ ΚΙΝΔΥΝΟΣ



Κίνδυνος έκθεσης σε χημικά. Τηρείτε τις εργαστηριακές διαδικασίες ασφάλειας και φοράτε όλα τα μέσα ατομικής προστασίας που είναι κατάλληλα για τα χημικά που χειρίζεστε. Ανατρέξτε στα υπάρχοντα φύλλα δεδομένων ασφάλειας υλικού (MSDS/SDS) για τα πρωτόκολλα ασφάλειας.



Διαδικασία βαθμονόμησης

Αυτή η διαδικασία προορίζεται για γενική χρήση με υγρά διαλύματα βαθμονόμησης. Για πρόσθετες πληροφορίες ανατρέξτε στα έγγραφα που συνοδεύουν κάθε αισθητήριο.

Σημείωση: Τα διαλύματα πρέπει να αναδεύονται κατά τη διάρκεια της βαθμονόμησης. Για περισσότερες πληροφορίες σχετικά με τις ρυθμίσεις ανάδευσης, ανατρέξτε στην ενότητα [Αλλαγή των ρυθμίσεων ανάδευσης](#) στη σελίδα 261.


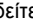
1. Προσθέστε τα ρυθμιστικά διαλύματα ή τα διαλύματα βαθμονόμησης στα ποτήρια ζέσεως βαθμονόμησης που φέρουν επικέτες.
2. Από το κύριο μενού, πατήστε το πλήκτρο για να επιλέξετε βαθμονόμηση pH ή mV.
3. Ξεπλύνετε το αισθητήριο με αποιονισμένο νερό και τοποθετήστε το μέσα στο πρώτο ποτήρι ζέσεως βαθμονόμησης. Βεβαιωθείτε ότι δεν υπάρχουν φυσαλίδες αέρα στη μεμβράνη.
4. Πατήστε το πλήκτρο για να πραγματοποιήσετε μέτρηση στο πρώτο διάλυμα βαθμονόμησης.

Εμφανίζεται το επόμενο διάλυμα βαθμονόμησης.

- Ξεπλύνετε το αισθητήριο με απιονισμένο νερό και τοποθετήστε το μέσα στο δεύτερο ποτήρι ζέσεως βαθμονόμησης. Βεβαιωθείτε ότι δεν υπάρχουν φυσαλίδες αέρα στη μεμβράνη.
- Πατήστε το πλήκτρο  για να πραγματοποιήσετε μέτρηση στο δεύτερο διάλυμα βαθμονόμησης. Εμφανίζεται το επόμενο διάλυμα βαθμονόμησης.
- Ξεπλύνετε το αισθητήριο με απιονισμένο νερό και τοποθετήστε το μέσα στο τρίτο ποτήρι ζέσεως βαθμονόμησης. Βεβαιωθείτε ότι δεν υπάρχουν φυσαλίδες αέρα στη μεμβράνη.
- Πατήστε το πλήκτρο  για να πραγματοποιήσετε μέτρηση στο τρίτο διάλυμα βαθμονόμησης. Όταν η βαθμονόμηση είναι ικανοποιητική, στην οθόνη εμφανίζεται σύντομα το μήνυμα 3rd Buffer OK (3ο ρυθμιστικό διάλυμα OK) και κατόπιν μεταβαίνει στο κύριο μενού.

Προβολή των δεδομένων βαθμονόμησης




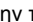
Μπορούν να προβληθούν δεδομένα από την πιο πρόσφατη βαθμονόμηση.

- Από το κύριο μενού πατήστε το  .
- Χρησιμοποιήστε το  , για να δείτε τα δεδομένα της τελευταίας βαθμονόμησης. Ο μετρητής επιστρέφει αυτομάτως στην οθόνη μέτρησης μετά από 3 δευτερόλεπτα.

Ρύθμιση της υπενθύμισης βαθμονόμησης

Η υπενθύμιση βαθμονόμησης μπορεί να οριστεί μεταξύ 0 και 23 ωρών ή 1-7 ημερών (προεπιλογή: 1 ημέρα). Η οθόνη εμφανίζει το χρόνο που απομένει μέχρι τη νέα βαθμονόμηση.

Σημείωση: Όταν επιλεγούν 0 ημέρες, η υπενθύμιση βαθμονόμησης απενεργοποιείται.

- Από το κύριο μενού πατήστε το πλήκτρο  και κατόπιν το πλήκτρο  μέχρι στην οθόνη να εμφανιστεί το μήνυμα Cal. frequency (Συχνότητα βαθμονόμησης).
- Χρησιμοποιήστε τα πλήκτρα  ή  για να αλλάξετε την τιμή. Ο μετρητής επιστρέφει αυτομάτως στην οθόνη μέτρησης μετά από 3 δευτερόλεπτα.

Μετρήσεις δειγμάτων

Κάθε αισθητήριο έχει συγκεκριμένα βήματα και διαδικασίες προετοιμασίας για τη λήψη μετρήσεων δειγμάτων. Για οδηγίες βήμα-βήμα, ανατρέξτε στα έγγραφα που συνοδεύουν κάθε αισθητήριο.

Σημείωση: Τα διαλύματα πρέπει να αναδεύονται κατά τη διάρκεια της μέτρησης. Για περισσότερες πληροφορίες σχετικά με τις ρυθμίσεις ανάδευσης, ανατρέξτε στην ενότητα **Αλλαγή των ρυθμίσεων ανάδευσης** στη σελίδα 261.

Σημείωση: Η θερμοκρασία δεν εμφανίζεται κατά τη διάρκεια μιας μέτρησης ORP (mV), όταν δεν είναι συνδεδεμένος ο αισθητήρας θερμοκρασίας.



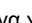


Πατήστε το pH ή το ORP (mV), για να λάβετε μια μέτρηση δείγματος. Κατά τη διάρκεια των μετρήσεων, η παράμετρος αναβοσβήνει και το χρονόμετρο εμφανίζει το χρόνο σταθεροποίησης. Για να αλλάξετε την παράμετρο μέτρησης (εφόσον είναι δυνατόν), πατήστε παρατεταμένα το pH ή το ORP (mV).

Για συνεχόμενη μέτρηση του δείγματος, πατήστε το pH ή το ORP (mV), για να ξεκινήσει μια μέτρηση, και πατήστε ξανά το pH ή το ORP (mV), κατά τη σταθεροποίηση. Η παράμετρος αναβοσβήνει για να υποδείξει την κατάσταση συνεχούς μέτρησης.

Προηγμένη λειτουργία

Αλλαγή ημερομηνίας και ώρας

Μπορείτε να αλλάξετε την ημερομηνία και την ώρα από το μενού Date and Time (Ημερομηνία και ώρα).


- Χρησιμοποιήστε το πλήκτρο  για να μεταβείτε στο μενού Date and Time (Ημερομηνία και ώρα). Μορφή ημερομηνίας και ώρας: ηη-μμ-εεεε 24ωρο. Το χαρακτηριστικό προς αλλαγή θα επισημανθεί αυτομάτως και θα προχωρήσει στο επόμενο χαρακτηριστικό, εάν δεν πατήσετε το πλήκτρο  ή  .
- Για να αλλάξετε ένα χαρακτηριστικό, πατήστε το πλήκτρο  ή  μόλις επιλεγεί το επισημασμένο χαρακτηριστικό. Η τρέχουσα ημερομηνία και ώρα θα εμφανιστούν στην οθόνη.

Προσαρμογή της αντίθεσης οθόνης

1. Πατήστε ταυτόχρονα τα πλήκτρα ▲ και ▼ για να μεταβείτε στο μενού Display contrast (Αντίθεση οθόνης).
2. Χρησιμοποιήστε τα πλήκτρα ▲ και ▼ για να προσαρμόσετε την αντίθεση της οθόνης. Ο μετρητής επιστρέφει αυτομάτως στην οθόνη μέτρησης μετά από 3 δευτερόλεπτα.



Αλλαγή των ρυθμίσεων ανάδευσης

Μπορείτε να αλλάξετε την ταχύτητα ανάδευσης κατά τη διάρκεια της βαθμονόμησης και της μέτρησης.

1. Πατήστε το πλήκτρο  κατά τη διάρκεια της βαθμονόμησης ή της μέτρησης για να μεταβείτε στο μενού ανάδευσης.
2. Χρησιμοποιήστε τα πλήκτρα ▲ ή ▼ για να αλλάξετε την ταχύτητα ανάδευσης σε %.

Αλλαγή των μονάδων θερμοκρασίας

Μπορείτε να αλλάξετε τις μονάδες θερμοκρασίας σε Celsius (Κελσίου) ή Fahrenheit (Φαρενάιτ).

1. Από την κύρια οθόνη, πατήστε το πλήκτρο .
2. Πατήστε το πλήκτρο  για να επιλέξετε Celsius (Κελσίου) ή Fahrenheit (Φαρενάιτ).

Συντήρηση

⚠ ΠΡΟΣΟΧΗ



Πολλαπλοί κίνδυνοι. Μόνο ειδικευμένο προσωπικό πρέπει να εκτελεί τις εργασίες που περιγράφονται σε αυτήν την ενότητα του εγχειριδίου.

ΕΙΔΟΠΟΙΗΣΗ

Μην αποσυναρμολογείτε τη συσκευή για συντήρηση. Εάν πρέπει να καθαριστούν ή να επισκευαστούν τα εσωτερικά εξαρτήματα, επικοινωνήστε με τον κατασκευαστή.

Καθαρισμός του οργάνου

ΕΙΔΟΠΟΙΗΣΗ

Ποτέ μην χρησιμοποιείτε καθαριστικά, όπως νέφτι, ακετόνη ή παρόμοια προϊόντα, για τον καθαρισμό του οργάνου, συμπεριλαμβανομένης της οθόνης και των εξαρτημάτων.

Καθαρίζετε το εξωτερικό μέρος του οργάνου με ένα υγρό πανί και ήπιο διάλυμα σαπουνιού.

Καθαρισμός του αισθητηρίου

Καθαρίστε το αισθητήριο όπως απαιτείται. Ανατρέξτε στην ενότητα [Αντιμετώπιση προβλημάτων](#) στη σελίδα 263 για περισσότερες πληροφορίες σχετικά με τον καθαρισμό. Ανατρέξτε στο υλικό τεκμηρίωσης του αισθητηρίου για πληροφορίες σχετικά με τη συντήρηση του αισθητηρίου.

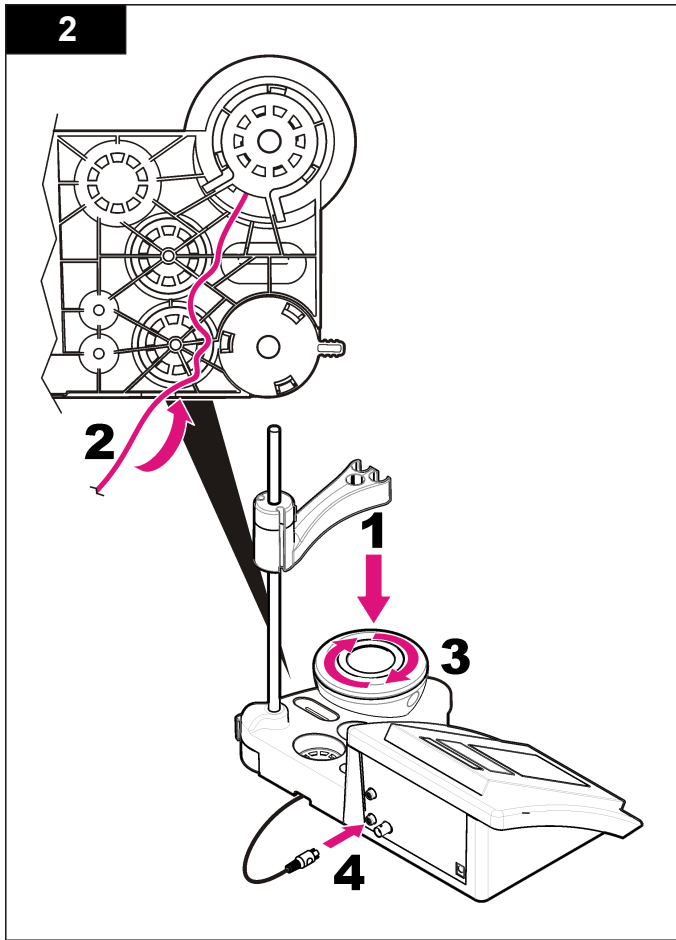
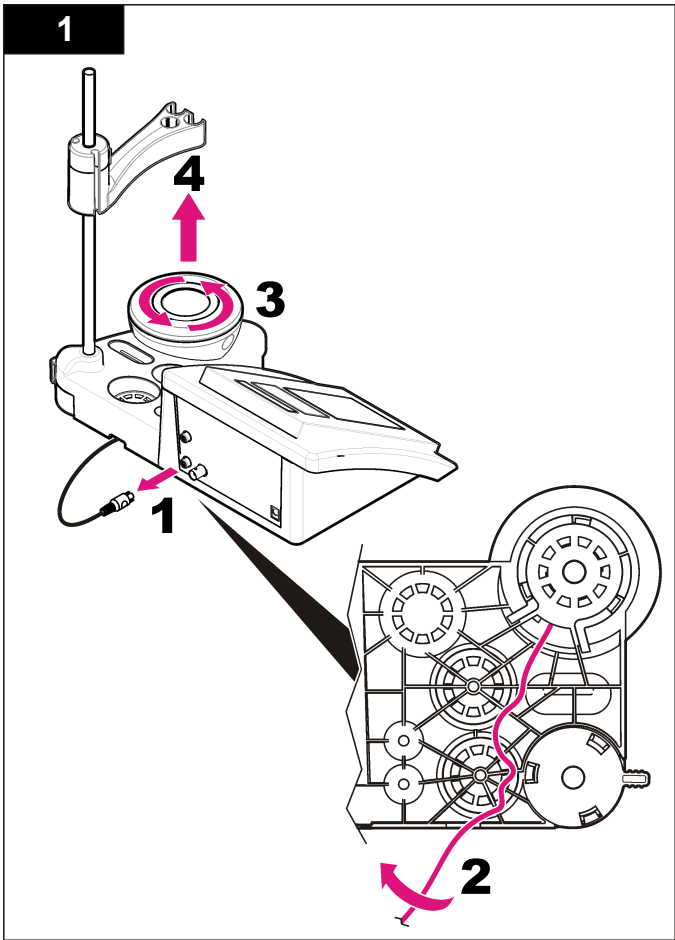
Χρησιμοποιήστε τους καθαριστικούς παράγοντες που παρατίθενται στον [Πίνακα 1](#) για τον καθαρισμό μολύνσεων στο αισθητήριο pH.

Πίνακας 1 Καθαριστικοί παράγοντες για το αισθητήριο pH

| Μόλυση | Καθαριστικός παράγοντας |
|-----------------|--------------------------------|
| Πρωτεΐνες | Διάλυμα καθαρισμού πεψίνης |
| Λίπη και έλαια | Διάλυμα καθαρισμού ηλεκτρόδιων |
| Άλατα ασβεστίου | Διάλυμα 0,1 N HCl |

Αντικατάσταση του μαγνητικού αναδευτήρα



Εάν ο μαγνητικός αναδευτήρας δεν εκκινήσει, ακολουθήστε τα αριθμημένα βήματα για να τον αντικαταστήσετε.




Αντιμετώπιση προβλημάτων

Ανατρέξτε στον ακόλουθο πίνακα για μηνύματα συνηθισμένων προβλημάτων ή συμπτωμάτων, πιθανών αιτιών και διορθωτικών ενεργειών.


Πίνακας 2 Προειδοποιήσεις και σφάλματα βαθμονόμησης

| Σφάλμα/Προειδοποίηση | Λύση |
|--|--|
| Asymmetry > 58 mV (Ασυμμετρία > 58 mV) | Κλίση εκτός εύρους (αποδεκτές τιμές \pm 58 mV). Επανάληψη με  . Συνδέστε ένα καινούριο αισθητήριο. |
| Buffer or electrode in poor conditions. (Ρυθμιστικό διάλυμα ή ηλεκτρόδιο σε μη ικανοποιητικές συνθήκες.) | Επανάληψη με  . Εξετάστε το αισθητήριο: Καθαρίστε το αισθητήριο (ανατρέξτε στην ενότητα Καθαρισμός του αισθητηρίου στη σελίδα 261 για περισσότερες πληροφορίες). Βεβαιωθείτε ότι δεν υπάρχουν φυσαλίδες αέρα στη μεμβράνη. Ανακινήστε το αισθητήριο όπως ένα θερμόμετρο. Συνδέστε ένα διαφορετικό αισθητήριο για να επαληθεύσετε εάν το πρόβλημα οφείλεται στο αισθητήριο ή το μετρητή. |
| Sens. (a) < 70% (Αισθητήριο (a) < 70%) | Εξετάστε το ρυθμιστικό διάλυμα: Βεβαιωθείτε ότι το ρυθμιστικό διάλυμα που χρησιμοποιείται αντιστοιχεί στο ρυθμιστικό διάλυμα που έχει καθοριστεί στη διαμόρφωση. Επαληθεύστε την προδιαγραφη θερμοκρασίας στη διαμόρφωση. Χρησιμοποιήστε καινούριο ρυθμιστικό διάλυμα. |
| BUFFER NOT RECOGNIZED (ΤΟ ΡΥΘΜΙΣΤΙΚΟ ΔΙΑΛΥΜΑ ΔΕΝ ΑΝΑΓΝΩΡΙΖΕΤΑΙ) | Εξετάστε το ρυθμιστικό διάλυμα: Βεβαιωθείτε ότι το ρυθμιστικό διάλυμα που χρησιμοποιείται αντιστοιχεί στο ρυθμιστικό διάλυμα που έχει καθοριστεί στη διαμόρφωση. Επαληθεύστε την προδιαγραφη θερμοκρασίας στη διαμόρφωση. Χρησιμοποιήστε καινούριο ρυθμιστικό διάλυμα. |


Πίνακας 2 Προειδοποιήσεις και σφάλματα βαθμονόμησης (συνέχεια)

| Σφάλμα/Προειδοποίηση | Λύση |
|---|--|
| UNSTABLE READING (ΑΣΤΑΘΗΣ ΕΝΔΕΙΞΗ) Time > 100 s (Ωρα > 100 s) | Επανάληψη με  . Εξετάστε το αισθητήριο: Καθαρίστε το αισθητήριο (ανατρέξτε στην ενότητα Καθαρισμός του αισθητηρίου στη σελίδα 261 για περισσότερες πληροφορίες). Βεβαιωθείτε ότι δεν υπάρχουν φυσαλίδες αέρα στη μεμβράνη. Ανακινήστε τον αισθητήριο όπως ένα θερμόμετρο. Συνδέστε ένα διαφορετικό αισθητήριο για να επαληθεύσετε εάν το πρόβλημα οφείλεται στο αισθητήριο ή το μετρητή. Βεβαιωθείτε ότι η μεμβράνη και το διάφραγμα είναι σωστά εμβυθισμένα στο δείγμα. |

Πίνακας 2 Προειδοποιήσεις και σφάλματα βαθμονόμησης (συνέχεια)

| Σφάλμα/Προειδοποίηση | Λύση |
|---|---|
| Electrode in poor conditions. (Ηλεκτρόδιο σε μη ικανοποιητικές συνθήκες.) | Εξετάστε το αισθητήριο: Καθαρίστε το αισθητήριο (ανατρέξτε στην ενότητα Καθαρισμός του αισθητηρίου στη σελίδα 261 για περισσότερες πληροφορίες). Βεβαιωθείτε ότι δεν υπάρχουν φυσαλίδες αέρα στη μεμβράνη. Ανακινήστε το αισθητήριο όπως ένα θερμόμετρο. Συνδέστε ένα διαφορετικό αισθητήριο για να επαληθεύσετε εάν το πρόβλημα οφείλεται στο αισθητήριο ή το μετρητή. |
| Check the electrode (Ελέγξτε το ηλεκτρόδιο) | |
| SAME BUFFERS (ΙΔΙΑ ΡΥΘΜΙΣΤΙΚΑ ΔΙΑΛΥΜΑΤΑ) | Επανάληψη με  . Εξετάστε το αισθητήριο: Καθαρίστε τον αισθητήριο (ανατρέξτε στην ενότητα Καθαρισμός του αισθητηρίου στη σελίδα 261 για περισσότερες πληροφορίες). Βεβαιωθείτε ότι δεν υπάρχουν φυσαλίδες αέρα στη μεμβράνη. Ανακινήστε το αισθητήριο όπως ένα θερμόμετρο. Συνδέστε ένα διαφορετικό αισθητήριο για να επαληθεύσετε εάν το πρόβλημα οφείλεται στο αισθητήριο ή το μετρητή. Εξετάστε το ρυθμιστικό διάλυμα: Χρησιμοποιήστε καινούριο ρυθμιστικό διάλυμα. |

Πίνακας 3 Προειδοποιήσεις και σφάλματα μέτρησης

| Σφάλμα/Προειδοποίηση | Λύση |
|--|---|
| pH 12,78 19°C | Επανάληψη με  . |
| pH out of range (pH εκτός εύρους) | Εξετάστε το αισθητήριο: Καθαρίστε το αισθητήριο (ανατρέξτε στην ενότητα Καθαρισμός του αισθητηρίου στη σελίδα 261 για περισσότερες πληροφορίες). Βεβαιωθείτε ότι δεν υπάρχουν φυσαλίδες αέρα στη μεμβράνη. Ανακινήστε το αισθητήριο όπως ένα θερμόμετρο. Συνδέστε ένα διαφορετικό αισθητήριο για να επαληθεύσετε εάν το πρόβλημα οφείλεται στο αισθητήριο ή το μετρητή. |
| Temp out of range °C (Θερμοκρασία εκτός εύρους °C) | Εξετάστε το αισθητήριο θερμοκρασίας. Συνδέστε ένα διαφορετικό αισθητήριο για να επαληθεύσετε εάν το πρόβλημα οφείλεται στο αισθητήριο ή το μετρητή. |
| Time > 150 s (Ωρα > 150 s) | Βεβαιωθείτε ότι η μεμβράνη και το διάφραγμα είναι σωστά εμβυθισμένα στο δείγμα. Εξετάστε τη θερμοκρασία. Εξετάστε το αισθητήριο: Καθαρίστε το αισθητήριο (ανατρέξτε στην ενότητα Καθαρισμός του αισθητηρίου στη σελίδα 261 για περισσότερες πληροφορίες). Βεβαιωθείτε ότι δεν υπάρχουν φυσαλίδες αέρα στη μεμβράνη. Ανακινήστε το αισθητήριο όπως ένα θερμόμετρο. Συνδέστε ένα διαφορετικό αισθητήριο για να επαληθεύσετε εάν το πρόβλημα οφείλεται στο αισθητήριο ή το μετρητή. |

Ανταλλακτικά και εξαρτήματα

Σημείωση: Οι κωδικοί προϊόντος και οι αριθμοί καταλόγου μπορεί να διαφέρουν σε ορισμένες περιοχές πώλησης. Επικοινωνήστε με τον κατάλληλο διανομέα ή ανατρέξτε στη δικτυακή τοποθεσία της εταιρείας για τα στοιχεία επικοινωνίας.

Αναλλακτικά

| Περιγραφή | Αρ. προϊόντος |
|--|-----------------|
| Εργαστηριακός μετρητής sensION+ PH3 για τη μέτρηση του pH με εξαρτήματα, χωρίς ηλεκτρόδιο | LPV2000.98.0002 |
| Εργαστηριακός μετρητής sensION+ PH31 για τη μέτρηση του pH, GLP, με εξαρτήματα, χωρίς ηλεκτρόδιο | LPV2100.98.0002 |
| Ιοντόμετρο sensION+ MM340, GLP, 2 κανάλια, με εξαρτήματα, χωρίς ηλεκτρόδιο | LPV2200.98.0002 |
| Εργαστηριακός μετρητής sensION+ EC7 για τη μέτρηση της αγωγιμότητας, με εξαρτήματα, χωρίς ηλεκτρόδιο | LPV3010.98.0002 |
| Εργαστηριακός μετρητής sensION+ EC71 για τη μέτρηση της αγωγιμότητας, του GLP, με εξαρτήματα, χωρίς ηλεκτρόδιο | LPV3110.98.0002 |
| Εργαστηριακός μετρητής sensION+ MM374, 2 κανάλια, GLP, εξαρτήματα, χωρίς ηλεκτρόδια | LPV4110.98.0002 |

Αναλώσιμα

| Περιγραφή | Αρ. προϊόντος |
|--|---------------|
| Ρυθμιστικό διάλυμα pH 4,01, 125 mL | LZW9460.99 |
| Ρυθμιστικό διάλυμα pH 7,00, 125 mL | LZW9461.98 |
| Ρυθμιστικό διάλυμα pH 10,01, 125 mL | LZW9470.99 |
| Ρυθμιστικό διάλυμα pH 4,01, 250 mL | LZW9463.99 |
| Ρυθμιστικό διάλυμα pH 7,00, 250 mL | LZW9464.98 |
| Ρυθμιστικό διάλυμα pH 10,01, 250 mL | LZW9471.99 |
| Ρυθμιστικό διάλυμα pH 4,01, 1000 mL | LZW9466.99 |
| Ρυθμιστικό διάλυμα pH 7,00, 1000 mL | LZW9467.98 |
| Ρυθμιστικό διάλυμα pH 10,01, 1000 mL | LZW9472.99 |
| Ηλεκτρολυτικό διάλυμα (KCl 3M), 125 mL | LZW9510.99 |

Αναλώσιμα (συνέχεια)

| Περιγραφή | Αρ. προϊόντος |
|--|---------------|
| Ηλεκτρολυτικό διάλυμα (KCl 3M), 250 mL | LZW9500.99 |
| Ηλεκτρολυτικό διάλυμα (KCl 3M), 50 mL | LZW9509.99 |
| Ηλεκτρολυτικό διάλυμα 0,1 M, 125 mL | LZW9901.99 |
| Ενζυμικό διάλυμα | 2964349 |
| Διάλυμα καθαρισμού πειψίνης | 2964349 |
| Διάλυμα καθαρισμού ηλεκτροδίων | 2965249 |
| Διάλυμα 0,1 N HCl | 1481253 |

Παρελκόμενα

| Περιγραφή | Αρ. προϊόντος |
|--|---------------|
| Μαγνητικός αναδευτήρας με βάση ηλεκτροδίου, για πάγκο εργασίας sensION+ MM | LZW9319.99 |
| Τυπωμένα ποτήρια ζέσεως 3x50 mL για βαθμονόμηση pH σε πάγκο εργασίας | LZW9110.98 |
| Βάση τριών ηλεκτροδίων, για όργανα πάγκου εργασίας sensION+ | LZW9321.99 |
| Βάση και σφιγκτήρας για τρία ηλεκτρόδια | LZW9155.99 |
| Θάλαμος από γυαλί rygex, μετρήσεις συνεχούς ροής | LZW9118.99 |
| Προστατευτικό PP, χώρος φύλαξης ηλεκτροδίου | LZW9161.99 |

Πρότυπα διαλύματα

Τεχνικά ρυθμιστικά διαλύματα (DIN 19267)

Ανατρέξτε στον [Πίνακα 4](#) για τις τιμές pH και ORP (mV) των συγκεκριμένων ομάδων ρυθμιστικών διαλυμάτων σε ποικίλες θερμοκρασίες.

Πίνακας 4 Τιμές pH, ORP (mV) και θερμοκρασίας

| Θερμοκρασία | | pH | | | | | mV |
|-------------|-----------|-------------|-------------|-------------|-------------|--------------|------------|
| °C | °F | | | | | | |
| 0 | 32 | 2,01 | 4,01 | 7,12 | 9,52 | 10,30 | — |
| 10 | 50 | 2,01 | 4,00 | 7,06 | 9,38 | 10,17 | 245 |
| 20 | 68 | 2,00 | 4,00 | 7,02 | 9,26 | 10,06 | 228 |
| 25 | 77 | 2,00 | 4,01 | 7,00 | 9,21 | 10,01 | 220 |
| 30 | 86 | 2,00 | 4,01 | 6,99 | 9,16 | 9,96 | 212 |
| 40 | 104 | 2,00 | 4,03 | 6,97 | 9,06 | 9,88 | 195 |
| 50 | 122 | 2,00 | 4,06 | 6,97 | 8,99 | 9,82 | 178 |
| 60 | 140 | 2,00 | 4,10 | 6,98 | 8,93 | 9,76 | 160 |
| 70 | 158 | 2,01 | 4,16 | 7,00 | 8,88 | — | — |
| 80 | 176 | 2,01 | 4,22 | 7,04 | 8,83 | — | — |
| 90 | 194 | 2,01 | 4,30 | 7,09 | 8,79 | — | — |

Tehnilised andmed

Tehnilisi andmeid võidakse ette teatamata muuta.

| Tehniline näitaja | Üksikasjad |
|---------------------------------|---|
| Mõõtmed | 35 x 20 x 11 cm (13,78 x 7,87 x 4,33 tolli) |
| Kaal | 1100 g (2,43 naela) |
| Mõõturi ümbris | IP42 |
| Energiatarve (väline) | 100–240 V, 0,4 A, 47-63 Hz |
| Mõõturi kaitseklass | 2. klass |
| Säilitustemperatuur | –15 kuni +65 °C (–5 kuni +149 °F) |
| Töötemperatuur | 0 kuni 40 °C (41 kuni 104 °F) |
| Tööniiskus | < 80% (mittekondenseeruv) |
| Eraldusvõime | pH: 0,01, ORP: 1 mV, temperatuur: 0,1 °C (0,18 °F) |
| Mõõteviga (± 1 number) | pH: ≤ 0,01, ORP: ≤ 1 mV, temperatuur: ≤ 0,2 °C (≤ 0,36 °F) |
| Reprodutseeritavus (± 1 number) | pH: ± 0,01, ORP: ± 1 mV, temperatuur: ± 0,1 °C (± 0,18 °F) |
| Ühendused | Kombineeritud või indikaatoriga mõõtepea: BNC pistik (Imp. >10 ¹² Ω); Võrdluselektrood: banaapistik; A.T.C. tüüp Pt 1000: banaapistik või telefonipistik; magnetsegaja: RCA pistik |
| Temperatuuri korrigeerimine | Käsitsi, Pt 1000 temperatuuri mõõtepea (A.T.C.) NTC 10 kΩ mõõtepea |
| Mõõtekuva lukustus | Pidev mõõtmine, stabiilsuse järgi |
| Näidikupaneel | Vedelkristall, taustvalgustusega, 128 x 64 punkti |
| Klaviatuur | Kaitsetöötusega PET |
| Sertifikaadid | CE |

Üldteave

Uuendatud väljaanded on kättesaadavad tootja veebilehel.

Ohutusteave

TEADE

Tootja ei vastuta mis tahes kahjude eest, mida põhjustab toote vale kasutamine, sealhulgas kuid mitte ainult otsesed, juhuslikud ja tegevuse tulemusest johtuvad kahjud, ning ütleb sellistest kahjunõuetest lahti kohaldatava seadusega lubatud täielikul määral. Kasutaja vastutab ainuisikuliselt oluliste kasutusohutude tuvastamise ja sobivate kaitsemeetodite rakendamise eest protsesside kaitsemiseks seadme võimaliku rikke puhul.

Palun lugege enne lahtipakkimist, häälestamist või kasutamist läbi kogu käesolev juhend. Järgige kõiki ohutus- ja ettevaatusjuhiseid. Vastasel juhul võib kasutaja saada raskeid kehavigastusi või võib seade vigasta saada.

Tagage, et seadmega tarnitud ohutusseadised ei ole vigastatud. Ärge kasutage või paigaldage seadet mingil muul viisil kui käesolevas kasutusjuhendis kirjeldatud.

Ohutusteabe kasutamine

⚠ OHT

Näitab potentsiaalselt või otseselt ohtlikku olukorda, mis selle mittevältimisel põhjustab surma või raskeid vigastusi.

⚠ HOIATUS

Näitab potentsiaalselt või otseselt ohtlikku olukorda, mis selle mittevältimisel võib põhjustada surma või raskeid vigastusi.

⚠ ETTEVAATUST



Näitab potentsiaalselt või otseselt ohtlikku olukorda, mis selle mittevältimisel võib põhjustada surma või raskeid vigastusi.

TEADE

Tähistab olukorda, mis selle mittevältimisel võib seadet kahjustada. Eriti tähtis teave.

Hoiatussildid

Lugege läbi kõik seadmele kinnitatud sildid ja märgised. Juhiste eiramise korral võite saada kehavigastusi või võib seade kahjustada saada. Mõõteriistal olevad sümbolid viitavad kasutusjuhendis esitatud ettevaatusabinõudele.

| | |
|--|---|
|  | See mõõteriistal olev sümbol viitab kasutusjuhendile ja/või ohutusekirjadele. |
|  | Selle sümboliga tähistatud elektriseadmeid ei tohi käidelda Euroopa kodustes või avalikes jäätmekäitlussüsteemides. Tagastage vanad ja kasutuskõlbmatud seadmed tasuta utiliseerimiseks tootjale. |

Tootekirjeldus

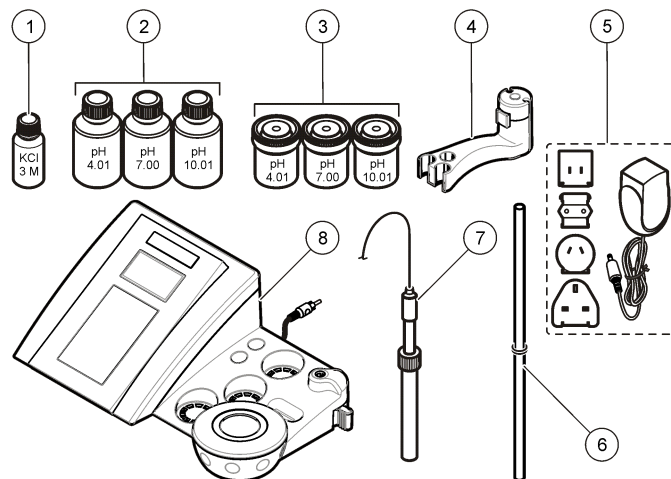
sensiON™+ mõõtureid kasutatakse koos mõõtepeadega, et mõõta vee erinevaid parameetreid.

sensiON™+ PH3 mõõtur mõõdab pH-d, ORP-i (mV) või temperatuuri.

Toote osad

Vaadake [Joonis 1](#) veendumaks, et kõik osad on kätte saadud. Kui mõned esemed puuduvad või on kahjustatud, siis pöörduge kohe tootja või müügiesindaja poole.

Joonis 1 Mõõтури osad

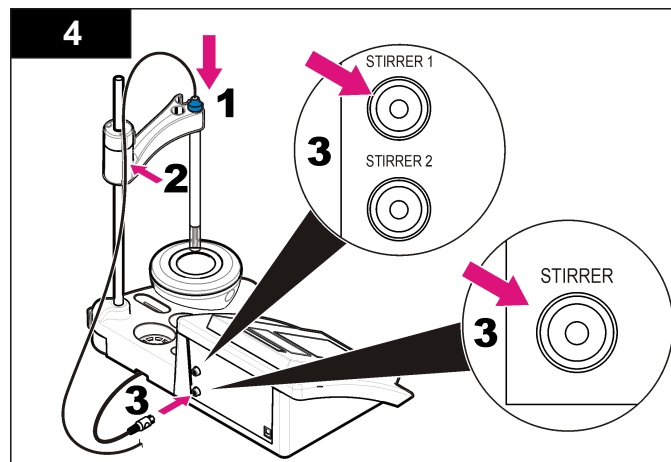
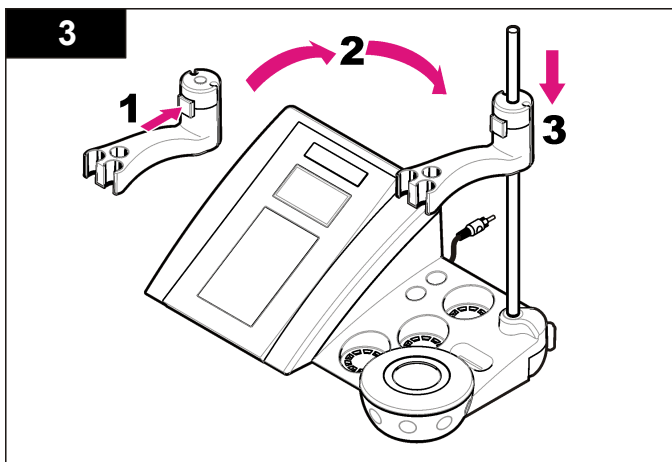
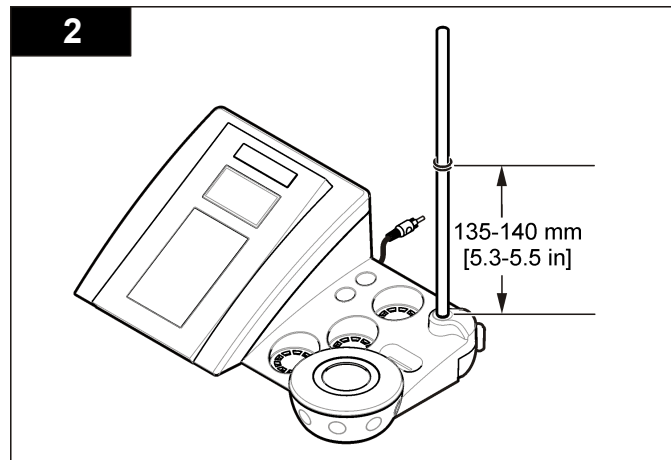
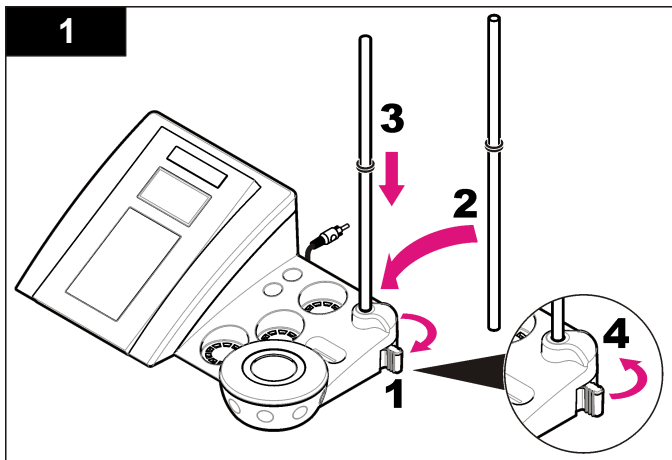


| | |
|--|--|
| 1 Mõõtepea elektrolüüdilahus | 5 Toide |
| 2 Puhverlahused (pH 4,01, pH 7,00 ja pH 10,01) | 6 Statiiv |
| 3 Kalibreerimise keeduklaasid (sisaldavad magnetpulka) | 7 Mõõtepea (kaasas ainult komplektidega) |
| 4 Mõõtepea hoidik | 8 Mõõtur |

Paigaldamine

Pange mõõtepea hoidiku kokku

Mõõtepea hoidiku kokku panemisel ja magnetsegaja ühendamisel järgige nummerdatud etappe.



Vahelduvvoolutoite ühendamine

⚠ OHT

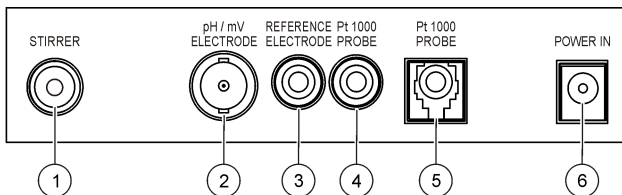


Elektrilöögi oht. Kui seadet kasutatakse välistingimustes või kohas, kus võib olla märg, tuleb seadme toiteallikaga ühendamisel kasutada maandusahela rikke kaitselülitiit (GFCI/GFI).

Mõõtur kasutab universaalse toiteadapteri abil vahelduvvoolutoidet.

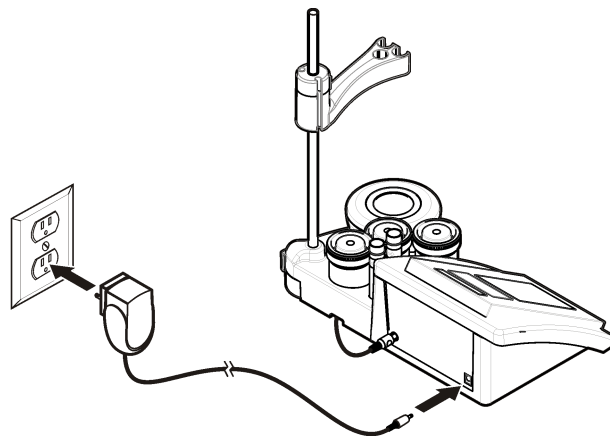
1. Valige adapterikomplektist pistikupesaga sobiv adapteri pistik.
2. Ühendage universaalne toiteadapter mõõturiga (Joonis 2).
3. Ühendage universaalne toiteadapter pistikupesa kaudu vooluvõrku (Joonis 3).
4. Lülitage mõõtur sisse.

Joonis 2 Ühenduspaneel



| | |
|--|--|
| 1 Magnetsegaja pistik | 4 Temperatuuri mõõtepea pistik |
| 2 Kombineeritud pH elektroodi (või indikaatori) pistik | 5 Eraldatud temperatuuri mõõtepea pistik |
| 3 Võrdluselektroodi (eraldatud elektroodid) pistik | 6 Toide |

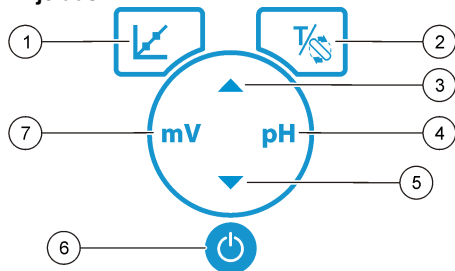
Joonis 3 Vahelduvvoolutoite ühendamine



Kasutajaliides ja navigeerimine

Kasutajaliides

Klahvistiku kirjeldus

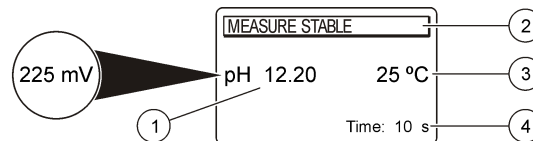


| | |
|---|--|
| 1 Klahv CALIBRATION (Kalibreerimine): kalibreerimise alustamine, kalibreerimisandmete vaatamine ja kalibreerimise sageduse muutmine | 5 klahv DOWN (alla): teiste valikute juurde kerimine, väärtuste muutmine |
| 2 Klahvid TEMPERATURE (Temperatuur) ja STIRRER (segaja): temperatuuri (°C, °F) või segamiskiiruse muutmine | 6 ON/OFF (sisse/välja): lülitab mõõtuuri sisse või välja |
| 3 Klahv UP (üles): teiste valikute juurde kerimine, väärtuste muutmine | 7 Klahv mV measurement (mV mõõtmine): ORP (mV) mõõtmise alustamine |
| 4 Klahv pH measurement (pH mõõtmine): pH mõõtmise alustamine | |

Ekraani kirjeldus

Mõõtuuri ekraanil kuvatakse kontsentratsioon, ühikud, temperatuur, kalibreerimisolek, kuupäev ja kellaaeg.

Joonis 4 Ühe ekraani kuva



| | |
|---------------------------------------|----------------------------------|
| 1 Mõõteühik ja väärtus (pH, ORP (mV)) | 3 Proovi temperatuur (°C või °F) |
| 2 Mõõterežiim või kuupäev ja kellaaeg | 4 Visuaalse mõõtmise taimer |

Navigeerimine

Kasutage kalibreerimisklahvi , et mõõtepea kalibreerida. Kasutage parameetriklahvi, et läbi viia proovimõõtmine. Kasutage klahve TEMPERATURE (temperatuur) ja STIRRER (segaja) , et muuta temperatuuri (°C, °F) või segamiskiirust. Kasutage nooleklahve , et kerida teiste valikute vahel või muuta väärtusi. Protseduuride läbi viimisel tuleb kindlasti jälgida ekraani, sest kuvad muutuvad kiiresti. Iga protseduuri läbi viimiseks tutvuge vastava juhendmaterjaliga.

Käivitamine

Lülitage mõõtur sisse ja välja

| |
|--|
| TEADE |
| Veenduge enne mõõtuuri sisse lülitamist, et mõõtepea on ühendatud. |

Vajutage , et mõõtuuri sisse või välja lülitada. Kui mõõtur ei lülitu sisse, veenduge, et vahelduvvooluadapter on korralikult pistikupessa ühendatud.

Keele muutmine



Näidikupaneeli keel valitakse pärast mõõtuuri esmakordset sisselülitamist.

Keele valimiseks nimekirjast vajutage ▲ või ▼ . Kolem sekundi möödumisel taastub mõõturi mõõtekuva.

Märkus. ▲ Keele muutmiseks peamenüüst vajutage .

Tavatoimingud




Kalibreerimine


| OHT | |
|--|--|
|  | Kemikaalidega kokkupuute oht. Järgige labori ohutusprotseduure ja kasutage käideldavatele kemikaalidele vastavat kaitsevarustust. Ohutuseeskirjad leiata käesolevatelt ohutuskartidelt (MSDS/SDS). |
|  | |

Kalibreerimine

Seda töökäiku kasutatakse üldiselt vedelate kalibreerimislahustega. Lisainfot leiata iga mõõtepeaga kaasas olevatelt dokumentidelt.


Märkus. Kalibreerimise ajal peaks lahuseid segama. Lisainfo segamise sätete kohta leiata [Segamissätete muutmine](#) leheküljel 273.

1. Valage puhverlahused või kalibreerimislahused sildistatud kalibreerimise keeduklaasidesse.
2. Vajutage peamenüüs olles  , et valida pH või mV kalibreerimine.
3. Loputage mõõtepead deioniseeritud veega ja asetage mõõtepea esimesse kalibreerimise keeduklaasi. Veenduge, et membraani pole jäänud õhumulle.
4. Vajutage  , et mõõta esimest kalibreerimislahust. Kuvatakse järgmine kalibreerimislahus.
5. Loputage mõõtepead deioniseeritud veega ja asetage mõõtepea teise kalibreerimise keeduklaasi. Veenduge, et membraani pole jäänud õhumulle.
6. Vajutage  , et mõõta teist kalibreerimislahust. Kuvatakse järgmine kalibreerimislahus.

7. Loputage mõõtepead deioniseeritud veega ja asetage mõõtepea kolmandasse kalibreerimise keeduklaasi. Veenduge, et membraani pole jäänud õhumulle.
8. Vajutage  , et mõõta kolmandat kalibreerimislahust. Kui kalibreerimine õnnestus, kuvatakse hetkeks 3rd Buffer OK (Kolmas puhverlahus korras) ja seejärel kuvatakse taas peamenüü.

Kalibreerimise andmete vaatamine


Vaadata saab viimase kalibreerimise andmed.

1. Vajutage peamenüüs  .
2. Viimaste kalibreerimisandmete vaatamiseks kasutage ▼ . Kolme sekundi möödumisel taastub mõõturil automaatselt mõõtekuva.

Kalibreerimise meespea määramine

Kalibreerimise meespeaks saab määrata 0 kuni 23 tundi või 1 kuni 7 päeva (vaikimisi 1 päev). Näidikupaneelil kuvatakse uue kalibreerimiseni jäänud aega.

Märkus. Kui valitud on 0 päeva, on kalibreerimise meespea välja lülitatud.

1. Peamenüüs olles vajutage  ja seejärel vajutage ▼ kuni näidikupaneelil kuvatakse Cal. frequency (Kalibreerimise sagedus).
2. Kasutage väärtuse muutmiseks ▲ või ▼ . Kolme sekundi möödumisel taastub mõõturil automaatselt mõõtekuva.

Proovide mõõtmine

Igal mõõtepeal on spetsiifilised ettevalmistavad sammud ja proovi võtmise toimingud. Sammhaaval juhiste saamiseks lugege mõõtepeadega kaasas olevaid dokumente.

Märkus. Mõõtmise ajal peaks lahuseid segama. Lisainfo segamise sätete kohta leiata [Segamissätete muutmine](#) leheküljel 273.

Märkus. Temperatuuri ei näidata ORP (mV) mõõtmise ajal, kui temperatuuri mõõtepea ei ole ühendatud.

Proovi võtmiseks vajutage pH-d või ORP-d (mV). Mõõtmiste ajal vilgub mõõdetav parameeter ja taimer näitab stabiliseerumisaega. Mõõtmise






parameetri muutmiseks (kui see on asjakohane), vajutage ja hoidke all pH-d või ORP-d (mV).

Et proovi pidevalt mõõta, vajutage pH-d või ORP-d (mV) mõõtmise alustamiseks ja seejärel vajutage pH-d või ORP-d (mV) stabiliseerumise ajal uuesti. Parameeter vilgub, andes märku pidevast mõõterežiimist.





Keerukamad toimingud

Kuupäeva ja kellaaja muutmine

Kuupäeva ja kellaega saab muuta menüüst Date and Time (Kuupäev ja kellaeg).




1. Kasutage klahvi , et siseneda menüüsse Date and Time (kuupäev ja kellaeg). Kuupäeva ja kellaaja formaat: pp-kk-aaaa 24h. Muudetav väärtus tõstetakse automaatselt esile ja kui  või  ei vajutata, liigutakse edasi järgmise väärtuse juurde.
2. Väärtuse muutmiseks vajutage  või  ajal, kui valitud on esile tõstetud väärtus. Sisestatud kuupäev ja kellaeg kuvatakse ekraanil.

Näidikupaneeli kontrastsuse reguleerimine.

1. Vajutage korraka alla  ja , et siseneda menüüsse Display contrast (Näidikupaneeli kontrastsus).
2. Kasutage klahve  või , et reguleerida näidikupaneeli kontrastsust. Kolme sekundi möödumisel taastub mõõturil automaatselt mõõtekuva.

Segamissätete muutmine

Segamiskiirust saab muuta kalibreerimise ja mõõtmise ajal.


1. Vajutage  kalibreerimise või mõõtmise ajal, et siseneda segamise menüüsse.
2. Kasutage klahvi  või , et muuta segamiskiirust (%).

Temperatuuriühikute muutmine

Temperatuuriühikutest saab valida Celsiuse ja Fahrenheiti vahel.

1. Peakaval olles vajutage .
2. Vajutage , et valida kas Celsius või Fahrenheit.

Hooldus

| | |
|---|---|
| ⚠ ETTEVAATUST | |
|  | Erinevad ohud. Selles dokumendi osas kirjeldatud toiminguid tohivad teha vaid pädevad töötajad. |

| | |
|---|--|
| TEADE | |
| Ärge võtke seadet hoolduseks lahti. Kui seadme sees olevad osad vajavad puhastamist või remonti, võtke ühendust tootjaga. | |

Möödiku puhastamine

| | |
|--|--|
| TEADE | |
| Möödiku, sh ekraani ja tarvikute, puhastamiseks ei tohi kunagi kasutada puhastusvahendeid nagu tärpentiini, atsetooni või sarnaseid vahendeid. | |

Kasutage seadme välispinna puhastamiseks niisket lappi ja õrna seebilahust.

Möötepea puhastamine

Puhastage möötepea vastavalt vajadusele. Vaadake [Veotsing](#) leheküljel 276, et leida lisainformatsiooni puhastamise kohta. Möötepea hoolduse kohta leiate informatsiooni möötepea dokumentatsioonist.

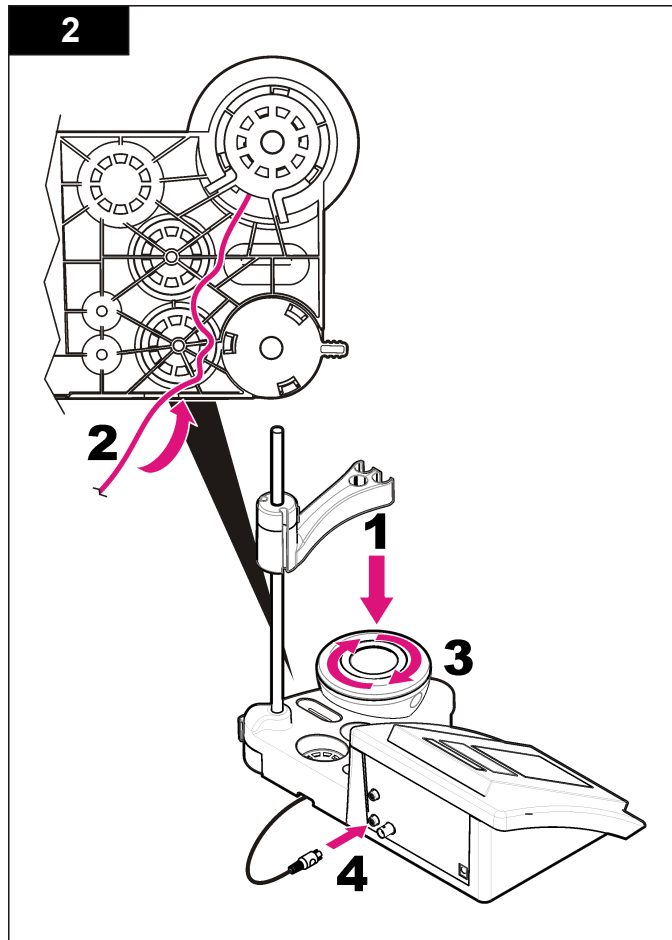
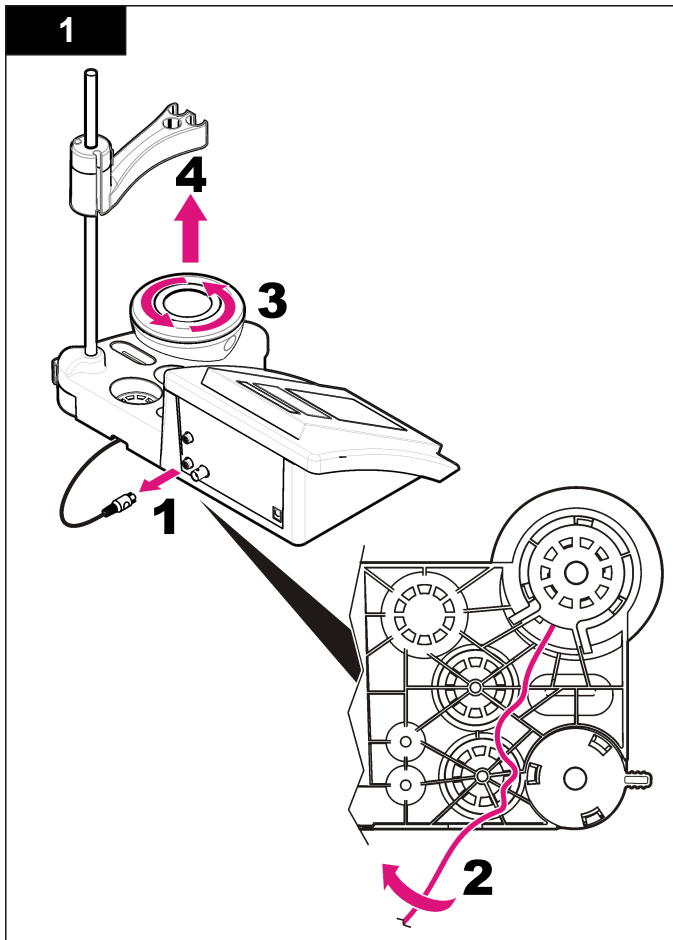
Kasutage pH möötepealt mustuse eemaldamiseks [Tabel 1](#) loetletud puhastusvahendeid.

Tabel 1 pH mõõdepea puhastusvahendid

| Saasteaine | Puhastusvahend |
|------------------------|-----------------------------|
| Valgud | Pepsiiniga puhastusvahend |
| Määrded, õliid, rasvad | Elektroodide puhastusvahend |
| Lubjakivi | 0,1 N HCl lahus |

Magnetsegaja asendamine




Kui magnetsegaja ei hakka tööle, läbige magnetsegaja välja vahetamisel nummerdatud etapid.




Veotsing

Sellest tabelist leiate tavapärased veateated või sümptomid, võimalikud põhjused ja korrigeerivad tegevused.


Tabel 2 Kalibreerimishoiatused ja -vead

| Viga/hoiatus | Lahendus |
|--|---|
| Asymmetry > 58 mV (Asümmeetria > 58 mV) | Tõus on piiridest väljas (aktsepteeritud vahemik ± 58 mV). Korrake vajutades  . Ühendage uus mõõtepea. |
| Buffer or electrode in poor conditions (Puhverlahuse või elektroodi seisund on kehv). | Korrake vajutades  . Kontrollige mõõtepead: Puhastage mõõtepea (lisainformatsiooni leiate Mõõtepea puhastamine leheküljel 273). Veenduge, et membraanis ei oleks õhumulle. Raputage mõõtepead nagu kraadiklaasi. Ühendage mõni teine mõõtepea, et selgitada välja, kas viga on mõõtepeas või mõõturis. |
| Sens. (a) < 70% (Tundlikkuss (a) < 70%) | Kontrollige puhverlahust: Veenduge, et kasutatav puhverlahus vastab konfiguratsioonis määratud puhverlahusele. Veenduge, et konfiguratsioonis on määratud õige temperatuur. Kasutage uut puhverlahust. |
| BUFFER NOT RECOGNIZED (Puhverlahust ei suudetud tuvastada) | Kontrollige puhverlahust: Veenduge, et kasutatav puhverlahus vastab konfiguratsioonis määratud puhverlahusele. Veenduge, et konfiguratsioonis on määratud õige temperatuur. Kasutage uut puhverlahust. |
| UNSTABLE READING (Ebastabiilne näit) Time > 100 s (Aeg > 100 s) | Korrake vajutades  . Kontrollige mõõtepead: Puhastage mõõtepea (Lisateavet leiate Mõõtepea puhastamine leheküljel 273). Veenduge, et membraanis ei oleks õhumulle. Raputage mõõtepead nagu kraadiklaasi. Ühendage mõni teine mõõtepea, et selgitada välja, kas probleem on seotud mõõtepea või mõõturiga. Veenduge, et membraan ja diafragma on korralikult proovi sukeldatud. |

Tabel 2 Kalibreerimishoiatused ja -vead (järgneb)

| Viga/hoiatus | Lahendus |
|--|--|
| Electrode in poor conditions (Elektroodi seisund on kehv). | Kontrollige mõõtepead: Puhastage mõõtepea (Lisateavet leiate Mõõtepea puhastamine leheküljel 273). Veenduge, et membraanis ei oleks õhumulle. Raputage mõõtepead nagu kraadiklaasi. |
| Check the electrode (Kontrollige elektroodi) | Ühendage mõni teine mõõtepea et selgitada välja, kas probleem on seotud mõõtepea või mõõturiga. |
| SAME BUFFERS (Samad puhverlahused) | Korrake vajutades  . Kontrollige mõõtepead: Puhastage mõõtepea (Lisateavet leiate Mõõtepea puhastamine leheküljel 273). Veenduge, et membraanis ei oleks õhumulle. Raputage mõõtepead nagu kraadiklaasi. Ühendage mõni teine mõõtepea et selgitada välja, kas probleem on seotud mõõtepea või mõõturiga. Kontrollige puhverlahust: kasutage uut puhverlahust. |

Tabel 3 Mõõtehoiatused ja -vead

| Viga/hoiatus | Lahendus |
|---|---|
| pH 12,78 19°C | Korrake vajutades  . |
| pH out of range (pH väärtus ei mahu piiridesse) | Kontrollige mõõtepead: Puhastage mõõtepea (Lisateavet leiate Mõõtepea puhastamine leheküljel 273). Veenduge et membraanis ei oleks õhumulle. Raputage mõõtepead nagu kraadiklaasi. Ühendage mõni muu mõõtepea, et selgitada välja, kas probleem on seotud mõõtepea või mõõturiga. |

Tabel 3 Mõõtehoiatused ja -vead (järgneb)

| Viga/hoiatus | Lahendus |
|---|--|
| Temp out of range °C (Temperatuuri väärtus ei mahu piiridesse) | Kontrollige temperatuuriandurit. Ühendage mõni teine mõõtepea, et selgitada välja, kas viga on mõõtepeas või mõõturis. |
| Time > 150 s (Aeg > 150 s) | Veenduge, et membraan ja diafragma on korralikult proovi sukeldatud. Kontrollige temperatuuri. Kontrollige mõõtepead: Puhastage mõõtepea (Lisateavet leiate Mõõtepea puhastamine leheküljel 273). Veenduge et membraanis ei oleks õhumulle. Raputage mõõtepead nagu kraadiklaasi. Ühendage mõni muu mõõtepea, et selgitada välja, kas probleem on seotud mõõtepea või mõõturiga. |

Varuosad ja tarvikud

Märkus. Toote- ja artiklinumbrid võivad müügipiirkondades erineda. Lisainfot saate edasimüüjatelt või firma veebilehelt.

Varuosad

| Kirjeldus | Osa nr. |
|---|-----------------|
| sensION+ PH3 labori pH-meeter koos tarvikutega ja ilma mõõtepeata | LPV2000.98.0002 |
| sensION+ PH31 labori pH-meeter, hea laboritava (GLP), koos tarvikutega ja ilma mõõtepeata | LPV2100.98.0002 |
| sensION+ MM340 labori pH ja ioon-meeter, hea laboritava (GLP), 2 kanalit, koos tarvikutega ja ilma mõõtepeata | LPV2200.98.0002 |
| sensION+ EC7 labori elektrijuhtivuse mõõtur, koos tarvikutega ja ilma mõõtepeata | LPV3010.98.0002 |
| sensION+ EC71 labori elektrijuhtivuse mõõtur, hea laboritava (GLP), koos tarvikutega ja ilma mõõtepeata | LPV3110.98.0002 |
| sensION+ MM374, 2 kanaliga labori mõõtur, hea laboritava (GLP), koos tarvikutega ja ilma mõõtepeata | LPV4110.98.0002 |

Kulumaterjalid

| Kirjeldus | Osa nr. |
|-------------------------------------|------------|
| 4,01 pH puhverlahus, 125 ml | LZW9460.99 |
| 7,00 pH puhverlahus, 125 ml | LZW9461.98 |
| 10,01 pH puhverlahus, 125 ml | LZW9470.99 |
| 4,01 pH puhverlahus, 250 ml | LZW9463.99 |
| 7,00 pH puhverlahus, 250 ml | LZW9464.98 |
| 10,01 pH puhverlahus, 250 ml | LZW9471.99 |
| 4,01 pH puhverlahus, 1000 ml | LZW9466.99 |
| 7,00 pH puhverlahus, 1000 ml | LZW9467.98 |
| 10,01 pH puhverlahus, 1000 ml | LZW9472.99 |
| Elektrolüüdilahus (KCl 3 M), 125 ml | LZW9510.99 |
| Elektrolüüdilahus (KCl 3 M), 250 ml | LZW9500.99 |
| Elektrolüüdilahus (KCl 3 M), 50 ml | LZW9509.99 |
| Elektrolüüdilahus 0,1 M, 125 ml | LZW9901.99 |
| Ensüümilahus | 2964349 |
| Pepsiiniga puhastusvahend | 2964349 |
| Elektroodide puhastusvahend | 2965249 |
| 0,1 N HCl lahus | 1481253 |

Tarvikud

| Kirjeldus | Osa nr. |
|---|------------|
| Magnetsegaja anduri hoidikuga, labori töölaua sensION+ MM jaoks | LZW9319.99 |
| 3x50 ml pealetrükkiga keeduklaasid pH kalibreerimiseks laboris | LZW9110.98 |

Tarvikud (järgneb)

| Kirjeldus | Osa nr. |
|--|------------|
| Kolme anduri hoidik, sensION+-i labori töölauda aparatuurile | LZW9321.99 |
| Anduri hoidik ja klamber | LZW9155.99 |
| Pyrex kellaklaas, pidevvoe mõõtmised | LZW9118.99 |
| PP kate, elektroodi hoistamine | LZW9161.99 |

Standardlahused

Tehnilised puhverlahused (DIN 19267)

Vaadake [Tabel 4](#), et leida kindlate puhvrikombinatsioonidele pH ja ORP-i (mV) väärtusi erinevatel temperatuuridel.

Tabel 4 pH, ORP-i (mV) ja temperatuuri väärtused

| Temperatuur | | pH | | | | | mV |
|-------------|-----------|-------------|-------------|-------------|-------------|--------------|------------|
| °C | °F | | | | | | |
| 0 | 32 | 2,01 | 4,01 | 7,12 | 9,52 | 10,30 | — |
| 10 | 50 | 2,01 | 4,00 | 7,06 | 9,38 | 10,17 | 245 |
| 20 | 68 | 2,00 | 4,00 | 7,02 | 9,26 | 10,06 | 228 |
| 25 | 77 | 2,00 | 4,01 | 7,00 | 9,21 | 10,01 | 220 |
| 30 | 86 | 2,00 | 4,01 | 6,99 | 9,16 | 9,96 | 212 |
| 40 | 104 | 2,00 | 4,03 | 6,97 | 9,06 | 9,88 | 195 |
| 50 | 122 | 2,00 | 4,06 | 6,97 | 8,99 | 9,82 | 178 |
| 60 | 140 | 2,00 | 4,10 | 6,98 | 8,93 | 9,76 | 160 |
| 70 | 158 | 2,01 | 4,16 | 7,00 | 8,88 | — | — |
| 80 | 176 | 2,01 | 4,22 | 7,04 | 8,83 | — | — |
| 90 | 194 | 2,01 | 4,30 | 7,09 | 8,79 | — | — |

HACH COMPANY World Headquarters

P.O. Box 389, Loveland, CO 80539-0389 U.S.A.

Tel. (970) 669-3050

(800) 227-4224 (U.S.A. only)

Fax (970) 669-2932

orders@hach.com

www.hach.com

HACH LANGE GMBH

Willstätterstraße 11

D-40549 Düsseldorf, Germany

Tel. +49 (0) 2 11 52 88-320

Fax +49 (0) 2 11 52 88-210

info-de@hach.com

www.de.hach.com

HACH LANGE Sàrl

6, route de Compois

1222 Vérenaz

SWITZERLAND

Tel. +41 22 594 6400

Fax +41 22 594 6499

