

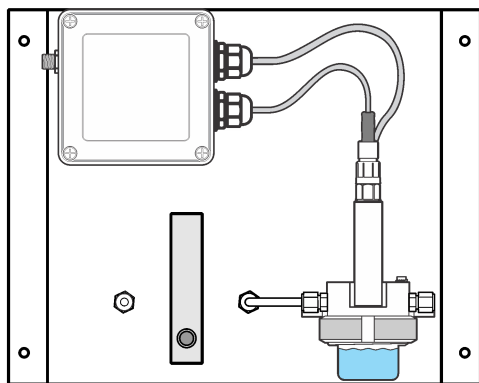


LANGE 

DOC023.98.90082

8362 sc High Purity Water Panel

01/2017, Edition 9



User Manual
Bedienungsanleitung
Manuel d'utilisation
Manual del usuario
Manuale d'uso
Gebruikershandleiding
Brugervejledning
Felhasználói kézikönyv
Kullanıcı Kılavuzu
دليل المستخدم

English	3
Deutsch	14
Français	25
Español	36
Italiano	47
Nederlands	58
Dansk	69
Magyar	80
Türkçe	91
العربية	102

Table of contents

[Specifications](#) on page 3

[General information](#) on page 3

[Installation](#) on page 5

[Calibrate the electrode](#) on page 7

[Maintenance](#) on page 10

[Troubleshooting](#) on page 12

[Replacement parts and accessories](#) on page 12

Specifications

Specifications are subject to change without notice.

Specification	Details
Dimensions (W x D x H)	30.5 x 38.4 x 16.6 cm (12 x 15.1 x 6.5 in.)
Weight	3.6 kg (8 lb)
Flow rate	100 to 300 mL/min
Maximum pressure	6 bar at 25 °C (87 psi)
Temperature probe	Pt100
Temperature range	0 to 80 °C (32 to 176 °F)
Operating temperature	0 to 60 °C (32 to 140 °F)
Operating humidity	0 to 100% non-condensing
Measurement range (pH)	2 to 12 pH at 0 to 80 °C (32 to 176 °F)
Measurement range (ORP)	-1500 to +1500 mV at 0 to 50 °C (32 to 122 °F)
Accuracy	< 0.1 pH or ± 5 mV for ultra pure water
Repeatability	0.01 pH/24 hours
Cable length	7.7 m (25 ft) supplied
Certifications	CE
Warranty	1 year; 2 years EU

General information

In no event will the manufacturer be liable for direct, indirect, special, incidental or consequential damages resulting from any defect or omission in this manual. The manufacturer reserves the right to make changes in this manual and the products it describes at any time, without notice or obligation. Revised editions are found on the manufacturer's website.

Safety information

NOTICE

The manufacturer is not responsible for any damages due to misapplication or misuse of this product including, without limitation, direct, incidental and consequential damages, and disclaims such damages to the full extent permitted under applicable law. The user is solely responsible to identify critical application risks and install appropriate mechanisms to protect processes during a possible equipment malfunction.

Please read this entire manual before unpacking, setting up or operating this equipment. Pay attention to all danger and caution statements. Failure to do so could result in serious injury to the operator or damage to the equipment.





Make sure that the protection provided by this equipment is not impaired. Do not use or install this equipment in any manner other than that specified in this manual.

Use of hazard information

▲ DANGER
Indicates a potentially or imminently hazardous situation which, if not avoided, will result in death or serious injury.
▲ WARNING
Indicates a potentially or imminently hazardous situation which, if not avoided, could result in death or serious injury.
▲ CAUTION
Indicates a potentially hazardous situation that may result in minor or moderate injury.
NOTICE
Indicates a situation which, if not avoided, may cause damage to the instrument. Information that requires special emphasis.

Precautionary labels

Read all labels and tags attached to the instrument. Personal injury or damage to the instrument could occur if not observed. A symbol, if noted on the instrument, will be included with a danger or caution statement in the manual.

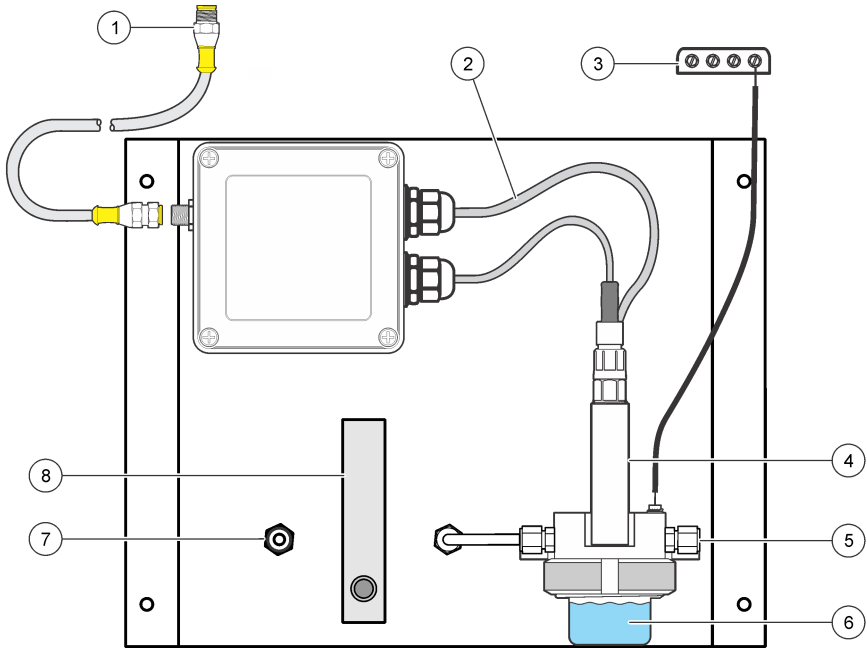
	This symbol, if noted on the instrument, references the instruction manual for operation and/or safety information.
	Electrical equipment marked with this symbol may not be disposed of in European domestic or public disposal systems. Return old or end-of-life equipment to the manufacturer for disposal at no charge to the user.
	This symbol indicates that the marked item can be hot and should not be touched without care.
	This symbol indicates that the marked item requires a protective earth connection. If the instrument is not supplied with a ground plug on a cord, make the protective earth connection to the protective conductor terminal.

Product overview

▲ DANGER	
	Explosion hazard. The instrument is not approved for installation in hazardous locations.
▲ WARNING	
	Burn hazard. Obey safe handling protocols during contact with hot sample components.

The 8362 sc High Purity Water Panel continuously measures pH or ORP in pure water applications. The system is completely sealed to prevent contamination from atmospheric carbon dioxide. Several design features are used to supply online pH/ORP measurements with a high degree of accuracy. The panel connects to an external digital controller for operation. Refer to [Figure 1](#).

Figure 1 Product overview



1 Controller connector	5 Sample inlet
2 Temperature sensor	6 Flow chamber
3 Protective earth ground	7 Drain connector
4 pH or ORP electrode	8 Flow meter

Product components

The panel is assembled at the factory with all the components attached and plumbed.

Installation

⚠ CAUTION



Multiple hazards. Only qualified personnel must conduct the tasks described in this section of the document.

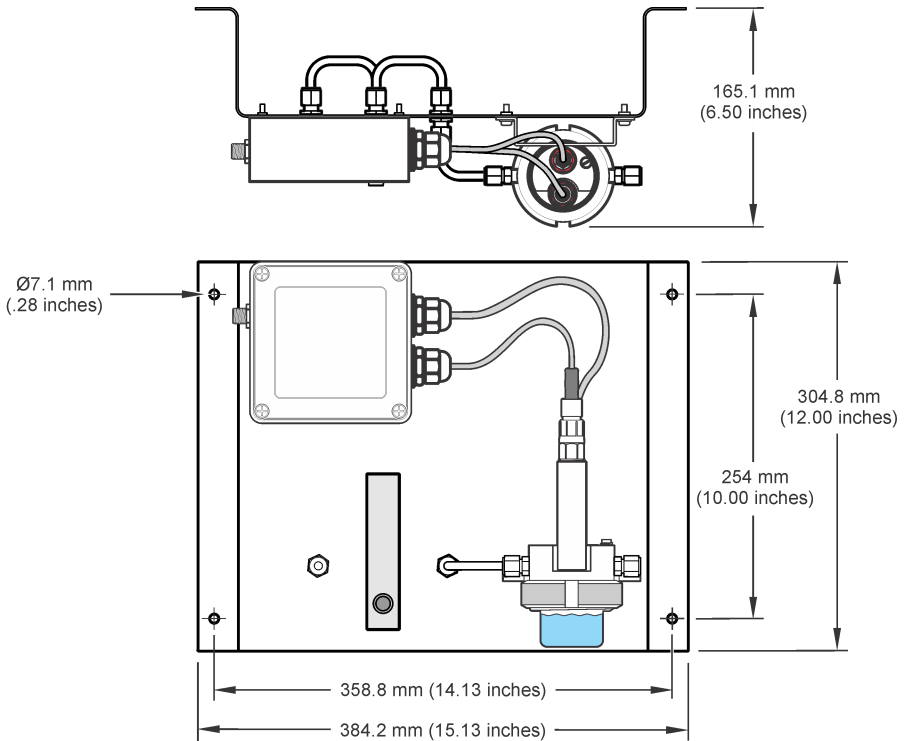
Attach the panel to a wall

Attach the panel vertically to a wall or structure that is able to hold at minimum 15 kg (32 lb) of downward force. Use a location where the flow meter and junction box are accessible. Refer to [Figure 2](#).

User-supplied hardware:

- Four bolts, 10 × 40 mm (7/16 × 1.5 in.)

Figure 2 Installation dimensions



Plumb the sample and drain lines

After the panel is attached to a wall, connect the sample and drain lines to the fittings on the front of the panel.

1. Connect the sample line to the inlet 1/4-in. OD tube fitting.
2. Connect a drain line to the drain 1/4-in. OD tube fitting. Keep the drain line as short as possible to prevent back-pressure.

Do not install the drain line back into the main sample stream.

Connect to the controller

The panel connects to an external controller for operation. Connect the cable from the controller to the quick-connect fitting on the junction box.

Connect the protective earth ground

Connect the ground wire on the flow chamber to a protective earth ground to keep electrical noise to a minimum. The controller and the panel must use the same source for the protective earth ground.

Prepare the electrode

The electrode must be soaked in the process water for a minimum of 10 hours before use. Make sure to calibrate the electrode after preparation.

1. Remove the flow chamber. Refer to [Figure 3](#) on page 8.
2. Remove the protective cap from the electrode. Save the protective cap for use during long-term storage. Refer to [Storage](#) on page 11.
3. Rinse the electrode bulb with deionized water, pH buffer (for pH electrodes) or ORP standard solution (for ORP electrodes).
4. Install the flow chamber.

Set the flow rate

Keep the flow rate between 100–300 mL/min at a maximum pressure of 4 bar (58 psi). Do not let the flow chamber become empty.

1. Open the valve on the sample line to let sample flow through the panel.
2. Turn the knob on the flow meter to set the flow rate to between 100–300 mL/min.
3. Look for bubbles in the flow chamber. Adjust the flow to remove the bubbles.

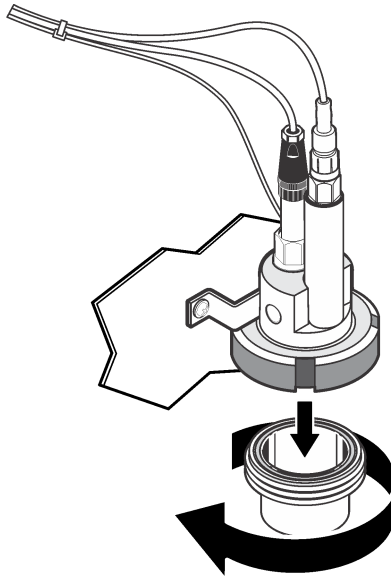
Calibrate the electrode

Prerequisite: Soak the electrode in the process water for a minimum of 10 hours.

Use the 2-point calibration method with a pH 7 and a pH 4 buffer solution for best results.

1. Stop the sample flow.
2. Remove the flow chamber. Refer to [Figure 3](#).
3. Rinse the flow chamber and electrode with deionized water.
4. Fill the flow chamber with pH 7 buffer.
5. Install the flow chamber with the pH 7 buffer.
6. Use the controller to calibrate the electrode. Refer to [pH calibration procedure](#) on page 8.
7. When the calibration is complete, remove and rinse the flow chamber with deionized water. Install the flow chamber.
8. Open the valve on the sample line and adjust the flow rate. Refer to [Set the flow rate](#) on page 7.
9. Let the sample flow through the panel for a minimum of 1 hour before comparison to another instrument.

Figure 3 Remove the flow chamber



pH calibration procedure

Sensors can be calibrated with 1 or 2 reference solutions (1-point or 2-point calibration). Standard buffers are automatically recognized. Make sure that the correct buffer set is used (refer to [Change calibration options](#) on page 10).

1. Put the sensor in the first reference solution.
2. Wait for the sensor and solution temperature to equalize. This can take 30 minutes or more if the temperature difference between the process and reference solution is significant.
3. Push the **MENU** key and select Sensor Setup, [Select Sensor], Calibrate.
4. Select the type of calibration:

Option	Description
2 point buffer	Use 2 buffers for calibration, for example pH 7 and pH 4 (recommended method). The buffers must be from the buffer set that is specified in the Cal Options menu (refer to Change calibration options on page 10).
1 point buffer	Use 1 buffer for calibration, for example pH 7. The buffer must be from the buffer set that is specified in the Cal Options menu.
2 point sample	Use 2 samples or buffers of known pH value for calibration. Determine the pH value of samples with a different instrument.
1 point sample	Use 1 sample or buffer for calibration. Determine the pH value of samples with a different instrument.

5. If the passcode is enabled in the security menu for the controller, enter the passcode.
6. Select the option for the output signal during calibration:

Option	Description
Active	The instrument sends the current measured output value during the calibration procedure.

Option	Description
Hold	The sensor output value is held at the current measured value during the calibration procedure.
Transfer	A preset output value is sent during calibration. Refer to the controller user manual to change the preset value.

7. With the sensor in the first reference solution, push **ENTER**.
The measured value is shown.
8. Wait for the value to stabilize and push **ENTER**.
Note: The screen may advance to the next step automatically.
9. If the reference solution is a sample, measure the pH value with a secondary verification instrument. Use the arrow keys to enter the measured value and push **ENTER**.
Note: If a pH buffer not listed the Cal Options menu is used, refer to the buffer bottle to find the pH value that corresponds to the temperature of the buffer.
10. For a 2-point calibration, measure the second reference solution (or sample):
 - a. Remove the sensor from the first solution and rinse with clean water.
 - b. Put the sensor in the next reference solution and push **ENTER**.
 - c. Wait for the value to stabilize. Push **ENTER**.
Note: The screen may advance to the next step automatically.
 - d. If the reference solution is a sample, measure the pH value with a secondary verification instrument. Use the arrow keys to enter the measured value and push **ENTER**.
11. Review the calibration result:
 - Passed—the sensor is calibrated and ready to measure samples. The slope and/or offset values are shown.
 - Failed—the calibration slope or offset is outside of accepted limits. Repeat the calibration with fresh reference solutions.
12. If the calibration passed, push **ENTER** to continue.
13. If the option for operator ID is set to Yes in the Calibration Options menu, enter an operator ID. Refer to [Change calibration options](#) on page 10.
14. On the New Sensor screen, select whether the sensor is new:

Option	Description
Yes	The sensor was not calibrated previously with this controller. The days of operation and previous calibration curves for the sensor are reset.
No	The sensor was calibrated previously with this controller.

15. Return the sensor to the process and push **ENTER**.
The output signal returns to the active state and the measured sample value is shown on the measure screen.
Note: If the output mode is set to hold or transfer, select the delay time when the outputs return to the active state.

Change calibration options

The user can set a reminder or include an operator ID with calibration data from the CAL OPTIONS menu.

1. Push the **MENU** key and select Sensor Setup, [Select Sensor], Calibrate, Cal Options.
2. Use the arrow keys to select an option and push **ENTER**.

Option	Description
SELECT BUFFER	For pH sensors only—changes the set of buffer solutions that are recognized for calibration to pH 4.00, 7.00, 10.00 (default set) or DIN 19267 (pH 1.09, 4.65, 6.79, 9.23, 12.75) <i>Note: Other buffers can be used if the 1 point sample or 2 point sample option is selected during calibration.</i>
CAL REMINDER	Sets a reminder for the next calibration in days, months or years—Off (default), 1 day, 7, 30, 60, or 90 days, 6 or 9 months, 1 or 2 years
OP ID on CAL	Includes an operator ID with calibration data—Yes or No (default). The ID is entered during the calibration.

Maintenance

⚠ CAUTION



Multiple hazards. Only qualified personnel must conduct the tasks described in this section of the document.

Clean the instrument

Clean the exterior of the instrument with a moist cloth and a mild soap solution and then wipe the instrument dry as necessary.

Clean the electrode

Carefully clean the electrode each month with a soft, non-abrasive cloth.

Replace a probe

To replace an electrode or temperature sensor, refer to [Figure 4](#) and [Table 1](#).

Figure 4 Junction box wiring

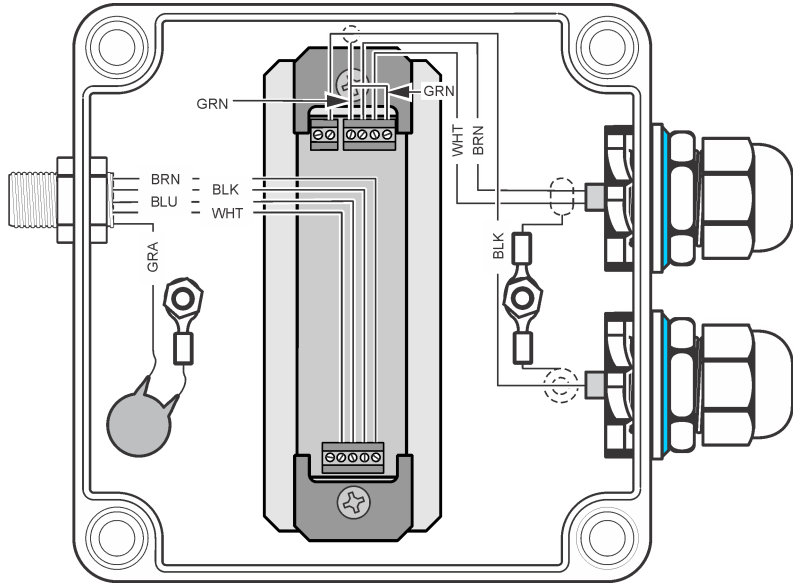


Table 1 Wire descriptions

Probe	Wire	Description
pH/ORP electrode	Black—rigid (center) wire	Measures pH or ORP
pH/ORP electrode	Green—copper internal shield	Reference
pH/ORP electrode	Green—copper external shield	Protective earth ground
Temperature sensor	Brown and white	Pt100 sensor

Storage

If the system is to be removed from operation for a period of time, keep the electrode in a storage solution.

1. Fill the protective cap with 3 M KCl.
2. Install the protective cap over the electrode bulb.

Troubleshooting

Problem	Possible cause	Solution
The calibration is not accepted.	The measuring or reference electrode is defective.	Replace the defective electrode.
	There is a problem with the wiring to the controller.	Examine the wiring from the electrode to the controller. Make sure that there is a good connection to the metal wires.
	The controller is defective.	Replace the controller.
The readings are irregular.	An air bubble is caught at the end of the electrode.	Adjust the electrode position so that air bubbles do not get caught below the electrode.
	The electrode does not have a good ground connection.	Refer to Connect the protective earth ground on page 6.
	The glass bulb is defective.	Replace the electrode.
	There is interference from a streaming potential.	Connect a protective earth ground to the solution near the electrode. A solution ground is most important in high purity water.
The response is slow.	The sample is cold and/or of low ionic strength.	Increase the temperature of the sample.
The pH reading changes continuously.	The electrode was not prepared sufficiently.	Soak a new or dry electrode for a minimum of 10 hours in the process sample, then calibrate the electrode.

Replacement parts and accessories

▲ WARNING



Personal injury hazard. Use of non-approved parts may cause personal injury, damage to the instrument or equipment malfunction. The replacement parts in this section are approved by the manufacturer.

Note: Product and Article numbers may vary for some selling regions. Contact the appropriate distributor or refer to the company website for contact information.

Calibration solutions

Description	Quantity	Item no.
4 pH solution, NIST	500 mL	2283449
7 pH solution, NIST	500 mL	2283549
10 pH solution, NIST	500 mL	2283649
ORP reference solution, 200 mV	500 mL	25M2A1001-115
ORP reference solution, 600 mV	500 mL	25M2A1002-115

Replacement parts

Description	Item no.
Fitting, ¼ OD, 1/8 NPT, male connector	6178800
Fitting, ¼ OD, ¼ NPT, bulkhead union	6178600
Flowmeter	4598700

Replacement parts (continued)

Description	Item no.
ORP electrode	08362=A=2111
pH electrode	08362=A=2000
pH/ORP electrode cable, 3 m	359016,10110
Pt100 cable, 3 m	08362=A=3001
Pt100 temperature sensor	08362=A=1001
Tube, back	6178700
Tube, front	6178900
Tube connectors, 1/8-in NPT, 2 each	08362=A=4000

Accessories

Description	Item no.
Controller extension cable, 1 m (3.2 ft)	6122400
Controller extension cable, 7.6 m (25 ft)	57960-00
Controller extension cable, 15.2 m (50 ft)	5796100
Controller extension cable, 30.5 m (100 ft)	57962-00

Inhaltsverzeichnis

[Technische Daten](#) auf Seite 14

[Wartung](#) auf Seite 21

[Allgemeine Informationen](#) auf Seite 14

[Fehlerbehebung](#) auf Seite 23

[Installation](#) auf Seite 16

[Ersatzteile und Zubehör](#) auf Seite 23

[Kalibrieren der Elektrode](#) auf Seite 18

Technische Daten

Änderungen vorbehalten.

Technische Daten	Details
Abmessungen (B x T x H)	30,5 x 38,4 x 16,6 cm (12 x 15,1 x 6,5 Zoll)
Gewicht	3,6 kg (8 lb)
Durchflussrate	100 bis 300 ml/min
Maximaler Druck	6 bar bei 25 °C (87 psi)
Temperatursonde	PT100
Temperaturbereich	0 bis 80 °C (32 bis 176 °F)
Betriebstemperatur	0 bis 60 °C (32 bis 140 °F)
Luftfeuchtigkeit bei Betrieb	0 bis 100 % nicht kondensierend
Messbereich (pH)	2 bis 12 pH bei 0 bis 80 °C (32 bis 176 °F)
Messbereich (Redox)	-1500 bis +1500 mV bei 0 bis 50 °C (32 bis 122 °F)
Genauigkeit	<0,1 pH oder ±5 mV für Reinstwasser
Wiederholgenauigkeit	0,01 pH/24 Stunden
Kabellänge	7,7 m (25 ft) mitgeliefert
Zertifizierungen	CE
Garantie	1 Jahr; EU 2 Jahre

Allgemeine Informationen

Der Hersteller ist nicht verantwortlich für direkte, indirekte, versehentliche oder Folgeschäden, die aus Fehlern oder Unterlassungen in diesem Handbuch entstanden. Der Hersteller behält sich jederzeit und ohne vorherige Ankündigung oder Verpflichtung das Recht auf Verbesserungen an diesem Handbuch und den hierin beschriebenen Produkten vor. Überarbeitete Ausgaben der Bedienungsanleitung sind auf der Hersteller-Webseite erhältlich.

Sicherheitshinweise

HINWEIS

Der Hersteller ist nicht für Schäden verantwortlich, die durch Fehlanwendung oder Missbrauch dieses Produkts entstehen, einschließlich, aber ohne Beschränkung auf direkte, zufällige oder Folgeschäden, und lehnt jegliche Haftung im gesetzlich zulässigen Umfang ab. Der Benutzer ist selbst dafür verantwortlich, schwerwiegende Anwendungsrisiken zu erkennen und erforderliche Maßnahmen durchzuführen, um die Prozesse im Fall von möglichen Gerätefehlern zu schützen.

Bitte lesen Sie dieses Handbuch komplett durch, bevor Sie dieses Gerät auspacken, aufstellen oder bedienen. Beachten Sie alle Gefahren- und Warnhinweise. Nichtbeachtung kann zu schweren Verletzungen des Bedieners oder Schäden am Gerät führen.





Stellen Sie sicher, dass die durch dieses Messgerät bereitgestellte Sicherheit nicht beeinträchtigt wird. Verwenden bzw. installieren Sie das Messsystem nur wie in diesem Handbuch beschrieben.

Bedeutung von Gefahrenhinweisen



▲ GEFAHR	
	Kennzeichnet eine mögliche oder drohende Gefahrensituation, die, wenn sie nicht vermieden wird, zum Tod oder zu schweren Verletzungen führt.
▲ WARNUNG	
	Kennzeichnet eine mögliche oder drohende Gefahrensituation, die, wenn sie nicht vermieden wird, zum Tod oder zu schweren Verletzungen führen kann.
▲ VORSICHT	
	Kennzeichnet eine mögliche Gefahrensituation, die zu geringeren oder moderaten Verletzungen führen kann.
HINWEIS	
	Kennzeichnet eine Situation, die, wenn sie nicht vermieden wird, das Gerät beschädigen kann. Informationen, die besonders beachtet werden müssen.

Warnhinweise

Lesen Sie alle am Gerät angebrachten Aufkleber und Hinweise. Nichtbeachtung kann Verletzungen oder Beschädigungen des Geräts zur Folge haben. Auf ein am Gerät angebrachtes Symbol wird im Handbuch durch einen Hinweis GEFAHR oder ACHTUNG verwiesen.

	Dieses Symbol am Gerät weist auf Betriebs- und/oder Sicherheitsinformationen im Handbuch hin.
	Elektrogeräte, die mit diesem Symbol gekennzeichnet sind, dürfen nicht im normalen öffentlichen Abfallsystem entsorgt werden. Senden Sie Altgeräte an den Hersteller zurück. Dieser entsorgt die Geräte ohne Kosten für den Benutzer.
	Dieses Symbol gibt an, dass die bezeichnete Stelle heiß werden kann und deswegen ohne entsprechende Schutzvorkehrungen nicht berührt werden sollte.
	Dieses Symbol weist darauf hin, dass das gekennzeichnete Teil an einen Erdungsschutzleiter angeschlossen werden muss. Wenn das Instrument nicht über einen Netzstecker an einem Kabel verfügt, verbinden Sie die Schutzterde mit der Schutzleiterklemme.

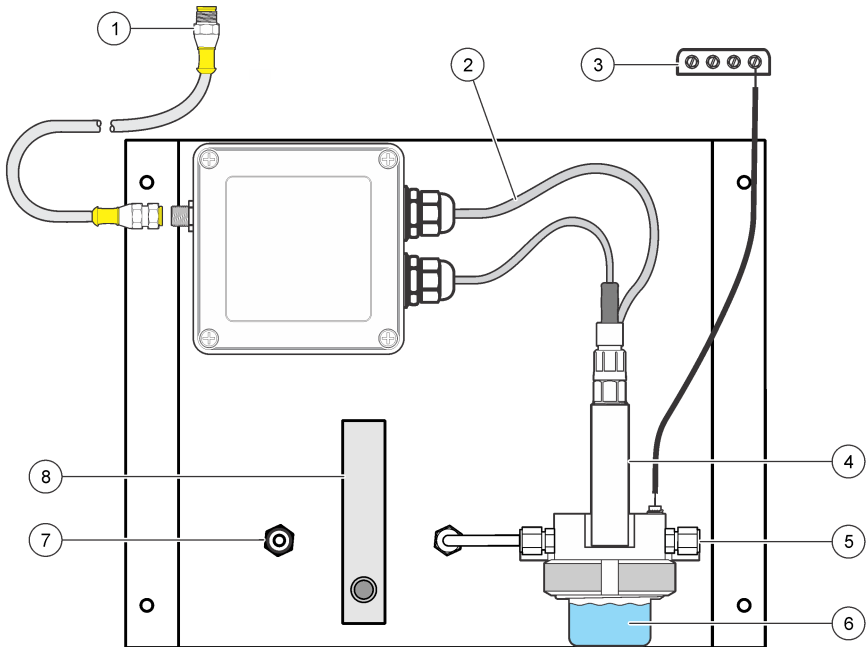
Produktübersicht

▲ GEFAHR	
	Explosionsgefahr. Das Gerät ist nicht für den Einsatz in explosionsgefährdeten Bereichen zugelassen.
▲ WARNUNG	
	Verbrennungsgefahr. Befolgen Sie die Sicherheitsanweisung bei Kontakt mit heißen Bauteilen des Probennehmers.

Das 8362 sc Panel für hochreines Wasser misst kontinuierlich den pH-Wert und das Redoxpotential bei Reinstwasseranwendungen. Das System ist vollständig versiegelt, um eine Kontamination durch Kohlendioxid aus der Luft zu verhindern. Mehrere Konstruktionsmerkmale sorgen für eine

hochgradig genaue Online-Messung von pH-Wert und Redoxpotential. Für den Betrieb wird das Panel mit einem externen Digitalcontroller verbunden. Siehe [Abbildung 1](#).

Abbildung 1 Produktübersicht



1 Controller-Anschluss	5 Probenzulauf
2 Temperatursensor	6 Durchflusskammer
3 Schutzleiter	7 Probenablauf
4 pH- oder Redox-Elektrode	8 Durchflussmesser

Produktkomponenten

Das Panel ist werkseitig vormontiert. Alle Komponenten sind angebracht und angeschlossen.

Installation

▲ VORSICHT



Mehrere Gefahren. Nur qualifiziertes Personal sollte die in diesem Kapitel des Dokuments beschriebenen Aufgaben durchführen.

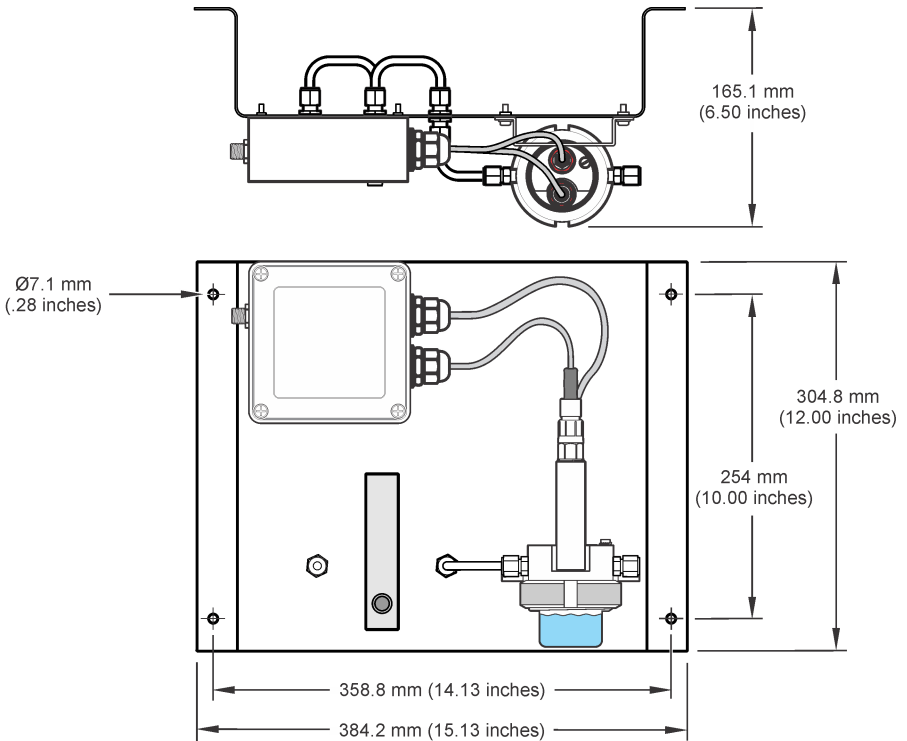
Anbringen des Panels an der Wand

Bringen Sie das Panel vertikal an einer Wand oder einer sonstigen Struktur an, die eine abwärts gerichtete Kraft von mindestens 15 kg (32 lb) trägt. Wählen Sie eine Stelle, die Zugang zum Durchflussmesser und zum Verteilerkasten bietet. Siehe [Abbildung 2](#).

Vom Benutzer bereitzustellendes Material:

- Vier Schrauben, 10 × 40 mm (7/16 × 1,5 in.)

Abbildung 2 Montagemaße



Verlegen der Proben- und Ablaufleitungen

Wenn das Panel an der Wand angebracht ist, verbinden Sie die Proben- und Ablaufleitungen mit den Anschlussstücken vorn am Panel.

1. Verbinden Sie die Probenleitung mit dem Anschlussstück für den Zulaufschlauch (1/4 Zoll Außendurchmesser).
2. Verbinden Sie eine Ablaufleitung mit dem Anschlussstück für den Ablaufschlauch (1/4 Zoll Außendurchmesser). Sorgen Sie dafür, dass die Ablaufleitung so kurz wie möglich ist, so dass kein Gegendruck entstehen kann.

Schließen Sie die Ablaufleitung nicht wieder an den Hauptprobenstrom an.

Anschließen an den Controller

Das Panel wird für den Betrieb mit einem externen Controller verbunden. Verbinden Sie das vom Controller ausgehende Kabel mit dem Verbindungsstück für den Schnellanschluss am Verteilerkasten.

Anschließen des Schutzleiters

Verbinden Sie das Erdungskabel an der Durchflusskammer mit einem Schutzleiter, um das Elektrorauschen minimal zu halten. Der Controller und das Panel mit der Durchflusskammer müssen an einem Punkt geerdet werden.

Vorbereiten der Elektrode

Die Elektrode muss vor Gebrauch mindestens 10 Stunden lang im Prozesswasser aufbewahrt werden. Nach der Vorbereitung muss die Elektrode kalibriert werden.

1. Entfernen Sie die Durchflussskammer. Siehe [Abbildung 3](#) auf Seite 19.
2. Nehmen Sie die Schutzkappe von der Elektrode. Bewahren Sie die Schutzkappe auf, um sie bei längerer Lagerung wieder zu verwenden. Siehe [Lagerung](#) auf Seite 22.
3. Spülen Sie die Elektrodenkugel mit deionisiertem Wasser bzw. bei pH-Elektroden mit pH-Puffer und bei Redox-Elektroden mit Redox-Standardlösung.
4. Setzen Sie die Durchflussskammer ein.

Einstellen der Durchflussrate

Halten Sie die Durchflussrate auf Werten von 100 - 300 ml/min, bei einem Druck von maximal 4 bar (58 psi). Lassen Sie die Durchflussskammer nicht leer werden.

1. Öffnen Sie das Ventil an der Probenleitung, damit Probe durch das Panel fließen kann.
2. Stellen Sie die Durchflussrate durch Drehen des Knopfes am Durchflussmesser auf 100 - 300 ml/min ein.
3. Achten Sie auf Blasen in der Durchflussskammer. Stellen Sie den Durchfluss so ein, dass keine Blasen mehr vorhanden sind.

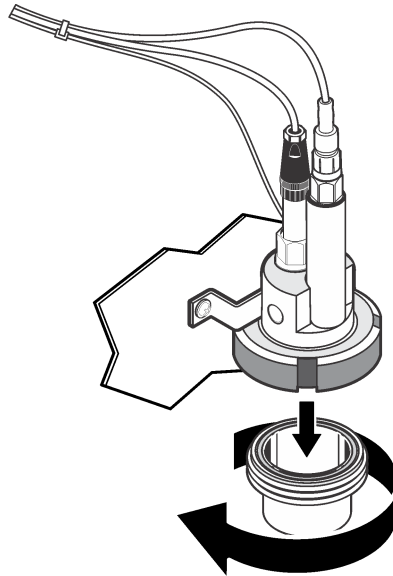
Kalibrieren der Elektrode

Voraussetzung: Die Elektrode muss mindestens 10 Stunden lang im Prozesswasser aufbewahrt worden sein.

Gehen Sie nach der 2-Punkt-Kalibrierungsmethode vor, und verwenden Sie eine pH 7 und eine pH 4 Pufferlösung, um bestmögliche Ergebnisse zu erzielen.

1. Unterbrechen Sie den Probenstrom.
2. Entfernen Sie die Durchflussskammer. Siehe [Abbildung 3](#).
3. Spülen Sie die Durchflussskammer und die Elektrode mit deionisiertem Wasser.
4. Füllen Sie die Durchflussskammer mit pH 7 Puffer.
5. Setzen Sie die Durchflussskammer mit dem pH 7 Puffer ein.
6. Verwenden Sie den Controller, um die Elektrode zu kalibrieren. Siehe [pH-Kalibrationsverfahren](#) auf Seite 19.
7. Wenn die Kalibrierung abgeschlossen ist, entfernen Sie die Durchflussskammer, und spülen Sie sie mit deionisiertem Wasser. Setzen Sie die Durchflussskammer ein.
8. Öffnen Sie das Ventil an der Probenleitung, und stellen Sie die Durchflussrate ein. Siehe [Einstellen der Durchflussrate](#) auf Seite 18.
9. Lassen Sie die Probe vor dem Vergleich mit einem anderen Gerät mindestens 1 Stunde lang durch das Panel fließen.

Abbildung 3 Entfernen der Durchflusskammer



pH-Kalibrationsverfahren

Sensoren können mit einer oder mit zwei Referenzlösungen kalibriert werden (1-Punkt- oder 2-Punkt Kalibrierung). Standardpuffer werden automatisch erkannt. Stellen Sie sicher, dass der korrekte Puffersatz verwendet wird (siehe [Ändern der Kalibrieroptionen](#) auf Seite 21).

1. Setzen Sie den Sensor in die erste Referenzlösung ein.
2. Warten Sie, bis sich die Sensortemperatur der Lösung angeglichen hat. Bei größeren Unterschieden zwischen Prozessmedium und Referenzlösung kann dies 30 Minuten und mehr in Anspruch nehmen.
3. Drücken Sie **MENÜ**, und wählen Sie „Sensor-Setup“, [Sensor wählen], „Kalibrieren“.
4. Wählen Sie die Kalibrierungsart:

Optionen	Beschreibung
2-Punkt-Puffer	Verwenden Sie 2 Puffer zur Kalibrierung, zum Beispiel pH 7 und pH 4 (empfohlene Methode). Die Puffer müssen in dem im Menü „Kal.-Optionen“ gewählten Puffersatz enthalten sein (siehe Ändern der Kalibrieroptionen auf Seite 21).
1 Punkt-Puffer	Verwenden Sie einen 1 Puffer zur Kalibrierung, zum Beispiel pH 7. Der Puffer muss in dem im Menü „Kal.-Optionen“ gewählten Puffersatz enthalten sein.
2-Punktprobe	Verwenden Sie 2 Proben oder Puffer mit bekanntem pH-Wert zur Kalibrierung. Bestimmen Sie den pH-Wert der Proben mit einem anderen Gerät.
1 Punktprobe	Verwenden Sie eine Probe oder einen Puffer zur Kalibrierung. Bestimmen Sie den pH-Wert der Proben mit einem anderen Gerät.

5. Wenn im Sicherheitsmenü des Controllers ein Passwort aktiviert ist, geben Sie das Passwort ein.
6. Wählen Sie eine Option für das Ausgangssignal während der Kalibrierung:

Optionen	Beschreibung
Aktiv	Das Gerät übermittelt während der Kalibrierung den aktuellen Messwert.

Optionen	Beschreibung
Halten	Das Gerät hält den aktuellen Messwert während der Kalibrierung.
Ersatzwert	Das Gerät gibt während der Kalibrierung einen vorher eingestellten Ausgangswert aus. Informationen zur Einstellung des Ersatzwertes entnehmen Sie bitte der Bedienungsanleitung des Controllers.

7. Halten Sie den Sensor in die erste Referenzlösung und drücken Sie **ENTER**. Der Messwert wird angezeigt.
8. Warten Sie, bis der Wert stabil ist und drücken Sie **ENTER**.
Hinweis: Der nächste Schritt wird ggf. automatisch angezeigt.
9. Wenn eine Probe als Referenzlösung verwendet wird, verifiziert Sie den pH-Wert mit einem zweiten Gerät. Geben Sie den Messwert mithilfe der Pfeiltasten ein, und drücken Sie **ENTER** (Eingabe).
Hinweis: Wenn ein pH-Puffer verwendet wird, der nicht im Menü „Kal.-Optionen“ aufgeführt ist, lesen Sie den pH-Wert bei der Temperatur des Puffers auf der Pufferflasche nach.
10. Messen Sie bei einer 2-Punktkalibrierung die zweite Referenzlösung (oder Probe):
 - a. Entnehmen Sie den Sensor aus der ersten Lösung und spülen Sie ihn mit sauberem Wasser ab.
 - b. Setzen Sie den Sensor in die nächste Referenzlösung ein und drücken Sie **ENTER**.
 - c. Warten Sie, bis der Wert stabil ist, und drücken Sie **ENTER**.
Hinweis: Der nächste Schritt wird ggf. automatisch angezeigt.
 - d. Wenn eine Probe als Referenzlösung verwendet wird, verifiziert Sie den pH-Wert mit einem zweiten Gerät. Geben Sie den Messwert mithilfe der Pfeiltasten ein, und drücken Sie **ENTER** (Eingabe).
11. Kontrollieren Sie das kalibrierte Ergebnis:
 - OK— Der Sensor ist kalibriert und zum Messen von Proben bereit. Die Steilheits- und/oder Offsetwerte werden angezeigt.
 - FEHLER— Die Kalibrierwerte für Steilheit oder Offset liegen außerhalb der zulässigen Grenzwerte. Wiederholen Sie die Kalibrierung mit frischen Referenzlösungen.
12. Wenn die Kalibrierung OK ist, drücken Sie **ENTER**, um fortzufahren.
13. Wenn für die Option zur Eingabe der Bediener-ID im Menü der Kalibrieroptionen „Ja“ gewählt wurde, geben Sie eine Bediener-ID ein. Siehe [Ändern der Kalibrieroptionen](#) auf Seite 21.
14. Wählen Sie in der Anzeige „Neuer Sensor ?“, ob der Sensor neu ist:

Optionen	Beschreibung
Ja	Der Sensor wurde vorher nicht an diesem Controller kalibriert. Die Betriebsdauer in Tagen und die vorherigen Kalibrierungskurven für den Sensor werden zurückgesetzt.
Nein	Der Sensor wurde vorher an diesem Controller kalibriert.

15. Setzen Sie den Sensor wieder in das Prozessmedium ein und drücken Sie **ENTER**. Das Ausgangssignal kehrt wieder in den aktiven Zustand zurück und der Messwert der Probe wird in der Messungsanzeige angezeigt.
Hinweis: Wenn der Ausgangsmodus auf Halten oder Ersatzwert eingestellt war, wählen Sie die Zeitverzögerung, nach dem die Ausgänge wieder in den aktiven Zustand zurückkehren sollen.

Ändern der Kalibrieroptionen

Über das Menü KAL.-OPTIONEN kann der Benutzer eine Erinnerung festlegen oder eine Bediener-ID zu den Kalibrierungsdaten hinzunehmen.

1. Drücken Sie **MENÜ** und wählen Sie „Sensor-Setup“, [Sensor wählen], „Kalibrieren“, „Kal.-Optionen“.
2. Verwenden Sie die Pfeiltasten, um eine Option zu wählen und drücken Sie **ENTER**.

Optionen	Beschreibung
PUFFER WÄHLEN	Nur für pH-Sensoren — Ändert den bei der Kalibrierung erkannten Puffersatz auf pH 4,00, 7,00, 10,00 (Standardsatz) oder DIN 19267 (pH 1,09, 4,65, 6,79, 9,23, 12,75) Hinweis: Mit den Optionen 1-Punkt-Probe und 2-Punkt-Probe lassen sich auch andere Puffer verwenden.
KAL.-ERINNERUNG	Legt eine Erinnerung für die nächste Kalibrierung in Tagen, Monaten oder Jahren fest — Aus (Grundeinstellung), 1 Tag, 7, 30, 60 oder 90 Tage, 6 oder 9 Monate, 1 oder 2 Jahre
BED.-ID BEI KAL	Speichert eine Bediener-ID mit den Kalibrierungsdaten — JA oder NEIN (Standard). Die ID wird während der Kalibrierung eingegeben.

Wartung

VORSICHT



Mehrere Gefahren. Nur qualifiziertes Personal sollte die in diesem Kapitel des Dokuments beschriebenen Aufgaben durchführen.

Reinigung des Geräts

Reinigen Sie das Gerät außen mit einem feuchten Tuch und wischen Sie das Gerät anschließend nach Bedarf trocken.

Reinigen der Elektrode

Reinigen Sie die Elektrode jeden Monat vorsichtig mit einem weichen, nicht scheuernden Tuch.

Ersetzen einer Sonde

Zum Ersetzen einer Elektrode oder eines Temperatursensors siehe [Abbildung 4](#) und [Tabelle 1](#).

Abbildung 4 Verkabelung der Anschlussdose

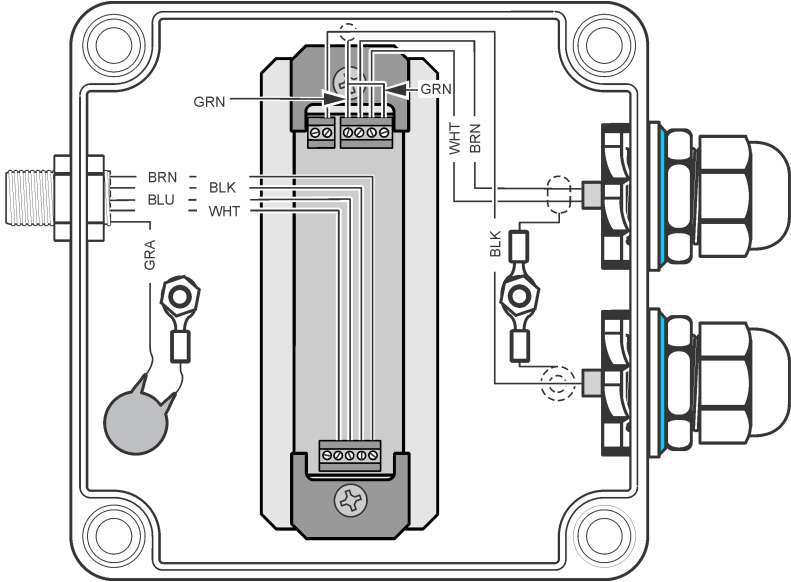


Tabelle 1 Beschreibung des Drahts

Sonde	Draht	Beschreibung
pH-/Redox-Elektrode	Schwarz (BLK) – starrer (Innen)draht	Misst pH oder Redox
pH-/Redox-Elektrode	Grün (GRN) – innere Abschirmung aus Kupfer	Referenz
pH-/Redox-Elektrode	Grün (GRN) – äußere Abschirmung aus Kupfer	Schutzleiter
Temperatursensor	Braun (BRN) und weiß (WHT)	PT100 Sensor

Lagerung

Wenn das System eine Zeit lang nicht in Betrieb ist, muss die Elektrode in einer Aufbewahrungslösung gelagert werden.

1. Füllen Sie die Schutzkappe mit 3 M KCl.
2. Setzen Sie die Schutzkappe auf die Elektrodenkugel.

Fehlerbehebung

Problem	Mögliche Ursache	Lösung
Die Kalibrierung wird nicht akzeptiert.	Die Mess- oder Referenzelektrode ist defekt.	Ersetzen Sie die defekte Elektrode.
	Es gibt ein Problem mit der Verkabelung des Controllers.	Untersuchen Sie die Verkabelung von der Elektrode zum Controller. Stellen Sie sicher, dass eine gute Verbindung zu den Metalldrähten besteht.
	Der Controller ist defekt.	Ersetzen Sie den Controller.
Die Ergebnisse sind nicht in Ordnung.	Eine Luftblase sitzt am Ende der Elektrode fest.	Ändern Sie die Position der Elektrode, sodass sich darunter keine Luftblasen festsetzen können.
	Die Elektrode hat keinen guten Erdanschluss.	Siehe Anschließen des Schutzleiters auf Seite 17.
	Die Glaskugel ist defekt.	Ersetzen Sie die Elektrode.
	Es gibt Störeinflüsse durch ein Strömungspotential.	Verbinden Sie einen Schutzleiter mit der Lösung in der Nähe der Elektrode. Die Erdung der Lösung ist bei hochreinem Wasser höchst wichtig.
Die Reaktion ist langsam.	Die Probe ist kalt und/oder hat eine niedrige Ionenstärke.	Erhöhen Sie die Temperatur der Probe.
Das Ergebnis der pH-Messung ändert sich ständig.	Die Elektrode wurde nicht ausreichend vorbereitet.	Bewahren Sie eine neue oder trockene Elektrode mindestens 10 Stunden lang in der Prozessprobe auf, und kalibrieren Sie die Elektrode anschließend.

Ersatzteile und Zubehör

⚠️ WARNUNG



Verletzungsgefahr. Die Verwendung nicht zugelassener Teile kann zur Verletzung von Personen, zu Schäden am Messgerät oder zu Fehlfunktionen der Ausrüstung führen. Die Ersatzteile in diesem Abschnitt sind vom Hersteller zugelassen.

Hinweis: Produkt- und Artikelnummern können bei einigen Verkaufsgebieten abweichen. Wenden Sie sich an die zuständige Vertriebsgesellschaft oder schlagen Sie die Kontaktinformationen auf der Webseite des Unternehmens nach.

Kalibrierlösungen

Beschreibung	Menge	Bestellnr.
Lösung, pH 4, NIST	500 ml	2283449
Lösung, pH 7, NIST	500 ml	2283549
Lösung, pH 10, NIST	500 ml	2283649
Redox-Referenzlösung, 200 mV	500 ml	25M2A1001-115
Redox-Referenzlösung, 600 mV	500 ml	25M2A1002-115

Ersatzteile

Beschreibung	Bestellnr.
Anschlussstück, ¼ Außendurchmesser, 1/8 NPT, Stecker	6178800
Verbindungsstück, ¼ Außendurchmesser, ¼ NPT, geschlossene Verbindung	6178600
Durchflussmesser	4598700
ORP Elektrode	08362=A=2111
pH Elektrode	08362=A=2000
pH/ORP Elektrodenkabel, 3 m	359016,10110
Pt100 Kabel, 3 m	08362=A=3001
Pt100 Temperatursensor	08362=A=1001
Edelstahlrohr, hinten	6178700
Edelstahlrohr, vorn	6178900
Edelstahlanschlussstücke, 1/8-in NPT, je 2	08362=A=4000

Zubehör

Beschreibung	Bestellnr.
Controller Verlängerungskabel, 1 m (3.2 ft)	6122400
Controller Verlängerungskabel, 7,6 m (25 ft)	57960-00
Controller Verlängerungskabel, 15,2 m (50 ft)	5796100
Controller Verlängerungskabel, 30,5 m (100 ft)	57962-00

Table des matières

Caractéristiques à la page 25

Maintenance à la page 32

Généralités à la page 25

Dépannage à la page 33

Installation à la page 27

Pièces de rechange et accessoires à la page 34

Etalonnage de l'électrode à la page 29

Caractéristiques

Les caractéristiques techniques peuvent être modifiées sans préavis.

Caractéristique	Détails
Dimensions (l x P x H)	30.5 x 38.4 x 16.6 cm (12 x 15.1 x 6.5 pouces)
Poids	3.6 kg (8 lb)
Débit	100 à 300 ml/min.
Pression maximale	6 bars à 25 °C (87 psi)
Sonde de température	Pt100
Plage de température	0 à 80 °C (32 à 176 °F)
Température de fonctionnement	0 à 60 °C (32 à 140 °F)
Humidité de fonctionnement	0 à 100% sans condensation
Plage de mesure (pH)	pH 2 à 12 de 0 à 80 °C (32 à 176 °F)
Plage de mesure (ORP)	-1500 à +1500 mV de 0 à 50 °C (32 à 122 °F)
Précision	< 0.1 pH ou ± 5 mV pour une eau ultra pure
Répétabilité	0.01 pH/24 heures
Longueur du câble	7,7 m (25 ft) fourni
Certifications	CE
Garantie	1 an ; 2 ans UE

Généralités

En aucun cas le constructeur ne saurait être responsable des dommages directs, indirects, spéciaux, accessoires ou consécutifs résultant d'un défaut ou d'une omission dans ce manuel. Le constructeur se réserve le droit d'apporter des modifications à ce manuel et aux produits décrits à tout moment, sans avertissement ni obligation. Les éditions révisées se trouvent sur le site Internet du fabricant.

Consignes de sécurité

AVIS

Le fabricant décline toute responsabilité quant aux dégâts liés à une application ou un usage inappropriés de ce produit, y compris, sans toutefois s'y limiter, des dommages directs ou indirects, ainsi que des dommages consécutifs, et rejette toute responsabilité quant à ces dommages dans la mesure où la loi applicable le permet. L'utilisateur est seul responsable de la vérification des risques d'application critiques et de la mise en place de mécanismes de protection des processus en cas de défaillance de l'équipement.

Veuillez lire l'ensemble du manuel avant le déballage, la configuration ou la mise en fonctionnement de cet appareil. Respectez toutes les déclarations de prudence et d'attention. Le non-respect de cette procédure peut conduire à des blessures graves de l'opérateur ou à des dégâts sur le matériel.

Assurez-vous que la protection fournie avec cet appareil n'est pas défectueuse. N'utilisez ni n'installez cet appareil d'une façon différente de celle décrite dans ce manuel.

Interprétation des indications de risques

▲ DANGER

Indique une situation de danger potentiel ou imminent qui, si elle n'est pas évitée, entraîne des blessures graves, voire mortelles.

▲ AVERTISSEMENT

Indique une situation de danger potentiel ou imminent qui, si elle n'est pas évitée, peut entraîner des blessures graves, voire mortelles.

▲ ATTENTION





Indique une situation de danger potentiel qui peut entraîner des blessures mineures ou légères.

AVIS

Indique une situation qui, si elle n'est pas évitée, peut occasionner l'endommagement du matériel. Informations nécessitant une attention particulière.

Étiquettes de mise en garde

Lire toutes les étiquettes et tous les repères apposés sur l'instrument. Des personnes peuvent se blesser et le matériel peut être endommagé si ces instructions ne sont pas respectées. Les symboles apposés sur l'appareil sont complétés par un paragraphe Danger ou Attention dans le manuel.

	Si l'appareil comporte ce symbole, reportez-vous au manuel d'utilisation pour consulter les informations de fonctionnement et de sécurité.
	Le matériel électrique portant ce symbole ne doit pas être mis au rebut dans les réseaux domestiques ou publics européens. Retournez le matériel usé ou en fin de vie au fabricant pour une mise au rebut sans frais pour l'utilisateur.
	Ce symbole indique que l'élément signalé peut être chaud et que des précautions doivent être prises avant de le toucher.
	Ce symbole indique que l'élément marqué nécessite une connexion de protection à la terre. Si l'appareil n'est pas fourni avec une mise à la terre sur un cordon, effectuez la mise à la terre de protection sur la borne de conducteur de protection.

Présentation du produit

▲ DANGER



Risque d'explosion L'instrument n'est pas homologué pour une installation dans des zones dangereuses.

▲ AVERTISSEMENT

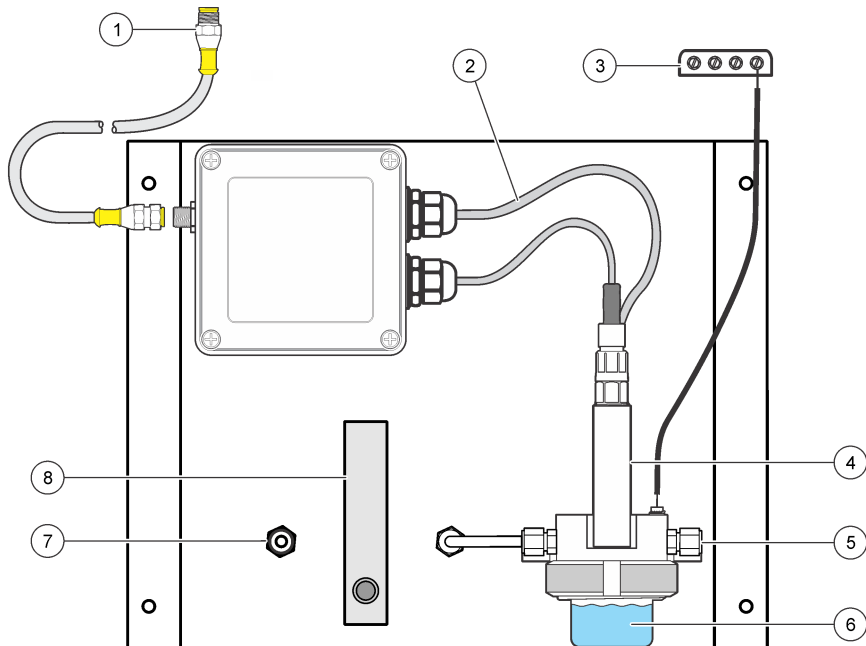


Risque de brûlure. Respectez les protocoles de sécurité lorsque vous manipulez des composants d'échantillon chauds.

Le Panneau 8362 sc pour Eau Ultra Pure mesure en continu le pH ou le potentiel d'oxydoréduction (ORP) dans les applications d'eau pure. Le système est entièrement scellé afin d'éviter toute contamination causée par le dioxyde de carbone présent dans l'atmosphère. Plusieurs

fonctionnalités permettent de fournir des mesures pH/ORP en ligne avec une grande précision. Le panneau se connecte à un contrôleur numérique externe pour le fonctionnement. Voir [Figure 1](#).

Figure 1 Présentation du produit



1 Connecteur du contrôleur	5 Arrivée de l'échantillon
2 Capteur de température	6 Cuve à circulation
3 Mise à la terre de protection	7 Connecteur de vidange
4 Electrode de pH ou ORP	8 Débitmètre

Composants du produit

Le panneau est assemblé en usine, où tous les composants sont fixés à la verticale.

Installation

⚠ ATTENTION



Dangers multiples. Seul le personnel qualifié doit effectuer les tâches détaillées dans cette section du document.

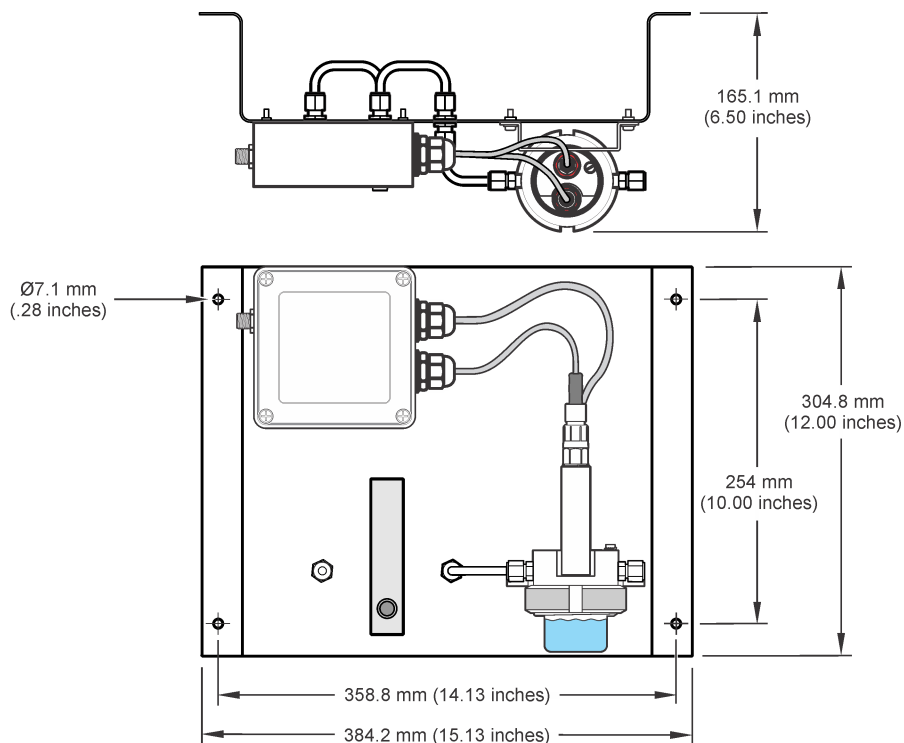
Fixation du panneau sur une paroi

Fixer le panneau verticalement à une paroi ou à une structure capable de soutenir un poids de 15 kg (32 lb) au minimum. Choisir un emplacement depuis lequel le débitmètre et la boîte de jonction sont accessibles. Voir [Figure 2](#).

Matériel fourni par l'utilisateur :

- Quatre vis, 10 × 40 mm (7/16 × 1,5 po)

Figure 2 Dimensions de l'installation



Raccordement des conduites d'échantillon et de vidange

Une fois le panneau fixé à la paroi, raccorder les conduites d'échantillon et de vidange aux raccords situés à l'avant du panneau.

1. Raccorder la conduite d'échantillon au raccord du tube d'arrivée d'1/4 pouce de diamètre extérieur.
2. Raccorder la conduite de vidange au raccord du tube de vidange d'1/4 pouce de diamètre extérieur. Maintenir une conduite de vidange aussi courte que possible pour éviter les retours de pression.

Ne pas réinstaller la conduite de vidange dans le flux d'échantillon principal.

Connexion au contrôleur

Le panneau doit être branché à un contrôleur externe pour fonctionner. Brancher le câble du contrôleur au système de raccordement rapide de la boîte de jonction.

Branchement de la connexion de mise à la terre

Brancher le câble de terre de la cuve de circulation à une connexion de mise à la terre afin de réduire le bruit électrique au minimum. Le contrôleur et le panneau doivent utiliser la même source pour la connexion de mise à la terre.

Préparation de l'électrode

L'électrode doit tremper dans l'eau de traitement pendant au moins 10 heures avant l'utilisation. Bien étalonner l'électrode après la préparation.

1. Retirer la cuve à circulation. Voir [Figure 3](#) à la page 30.
2. Retirer le bouchon de protection de l'électrode. Conserver le bouchon de protection pour l'utiliser lors d'un stockage prolongé. Voir [Stockage](#) à la page 33.
3. Rincer le bulbe de l'électrode avec de l'eau déminéralisée, un tampon de pH (pour les électrodes de pH) ou une solution ORP standard (pour les électrodes ORP).
4. Installer la cuve à circulation.

Réglage du débit

Maintenir le débit entre 100 et 300 mL/min à une pression maximale de 4 bars (58 psi). Ne pas laisser la cuve à circulation se vider.

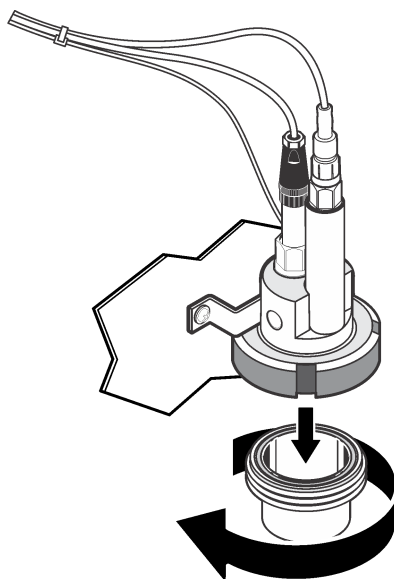
1. Ouvrir la vanne de la conduite d'échantillon pour laisser le flux d'échantillon s'écouler à travers le panneau.
2. Tourner le bouton du débitmètre pour régler le débit entre 100 et 300 mL/min.
3. Inspecter la cuve à circulation afin de détecter les éventuelles bulles. Régler le débit pour supprimer les bulles.

Étalonnage de l'électrode

Condition préalable : faire tremper l'électrode dans l'eau de traitement pendant au moins 10 heures. Utiliser la méthode d'étalonnage en 2 points avec une solution tampon de pH 7 et de pH 4 pour des résultats optimaux.

1. Arrêter l'écoulement d'échantillon.
2. Retirer la cuve à circulation. Voir [Figure 3](#).
3. Rincer la cuve à circulation et l'électrode avec de l'eau déminéralisée.
4. Remplir la cuve à circulation avec une solution tampon de pH7.
5. Installer la cuve à circulation avec la solution tampon de pH7.
6. Utiliser le contrôleur pour étalonner l'électrode. Voir [Procédure d'étalonnage de pH](#) à la page 30.
7. Lorsque l'étalonnage est terminé, retirer et rincer la cuve à circulation avec l'eau déminéralisée. Installer la cuve à circulation.
8. Ouvrir la vanne de la conduite d'échantillon et régler le débit. Voir [Réglage du débit](#) à la page 29.
9. Laisser l'échantillon s'écouler à travers le panneau pendant au moins 1 heure avant d'effectuer la comparaison avec un autre instrument.

Figure 3 Retrait de la cuve à circulation



Procédure d'étalonnage de pH

Les capteurs peuvent être étalonnés avec 1 ou 2 solutions de référence (étalonnage en 1 point ou en 2 points). Les tampons standard sont reconnus automatiquement. Assurez-vous d'utiliser le jeu de tampons correct (consulter [Modification des options d'étalonnage](#) à la page 32).

1. Placer le capteur dans la première solution de référence.
2. Attendez l'égalisation des températures du capteur et de la solution. Ceci peut prendre 30 minutes ou plus si la différence de température entre la solution de processus et celle de référence est importante.
3. Appuyer sur la touche **MENU** et sélectionner Progr capteur, [Sélectionner le capteur], Étalonner.
4. Sélectionnez le type d'étalonnage.

Option	Description
Tampon 2 points	Utilisez 2 tampons pour l'étalonnage, par exemple pH 7 et pH 4 (méthode recommandée). Les tampons doivent provenir d'un jeu de tampons indiqué dans le menu Options étal (voir Modification des options d'étalonnage à la page 32).
Tampon 1 point	Utilisez 1 tampon pour l'étalonnage, par exemple pH 7. Le tampon doit provenir d'un jeu de tampons indiqué dans le menu Options étal.
Échantillon 2 points	Utiliser 2 échantillons ou tampons de valeur de pH connue pour l'étalonnage. Déterminez la valeur de pH des échantillons avec un autre instrument.
Échantillon 1 point	Utiliser 1 échantillon ou tampon pour l'étalonnage. Déterminez la valeur de pH des échantillons avec un autre instrument.

5. Si le mot de passe est activé dans le menu de sécurité du transmetteur, entrez le mot de passe.
6. Sélectionnez l'option de sortie du signal pendant l'étalonnage :

Option	Description
Actif	L'instrument envoie la valeur de sortie mesurée pendant la procédure d'étalonnage.

Option	Description
Hold (suspendu)	La valeur de sortie du capteur est maintenue à la dernière valeur mesurée pendant la procédure d'étalonnage.
Transfer (Transfert)	Une valeur de sortie prédéfinie est envoyée pendant l'étalonnage. Consultez le manuel d'utilisation du transmetteur pour changer la valeur prédéfinie.

7. Avec le capteur dans la première solution de référence, appuyer sur **ENTER**.
La valeur mesurée apparaît.
8. Attendez que la valeur se stabilise et appuyez sur **ENTRÉE**.
Remarque : L'écran peut passer automatiquement à l'étape suivante.
9. Si la solution de référence est un échantillon, mesurer la valeur de pH avec un deuxième instrument de vérification. Utilisez les touches fléchées pour entrer la valeur mesurée et appuyez sur **ENTER**.
Remarque : En cas d'utilisation d'un tampon de pH non indiqué dans le menu Options étal, consulter le flacon du tampon pour connaître la valeur de pH correspondant à la température du tampon.
10. Pour un étalonnage en 2 points, mesurer la deuxième solution de référence (ou échantillon) :
 - a. Sortir le capteur de la première solution et le rincer à l'eau propre.
 - b. Placer le capteur dans la solution de référence suivante et appuyer sur **ENTER**.
 - c. Attendez la stabilisation de la valeur. Appuyez sur **ENTER**.
Remarque : L'écran peut passer automatiquement à l'étape suivante.
 - d. Si la solution de référence est un échantillon, mesurer la valeur de pH avec un deuxième instrument de vérification. Utilisez les touches fléchées pour entrer la valeur mesurée et appuyez sur **ENTER**.
11. Consultez le résultat d'étalonnage :
 - Réussi — le capteur est étalonné et prêt à mesurer des échantillons. Les valeurs de pente et/ou de décalage sont indiquées.
 - Echec — la pente ou le décalage d'étalonnage est en dehors des limites acceptées. Répéter l'étalonnage avec des solutions de référence neuves.
12. En cas de réussite de l'étalonnage, appuyez sur **ENTER** pour continuer.
13. Si l'option de l'ID opérateur est définie sur Yes (Oui) dans le menu Options Étal, entrez un ID d'opérateur. Voir [Modification des options d'étalonnage](#) à la page 32.
14. Sur l'écran Nouveau capteur, indiquez si le capteur est neuf :

Option	Description
Oui	Le capteur n'a pas été étalonné précédemment avec ce contrôleur. Le nombre de jours de fonctionnement et les courbes d'étalonnage précédentes pour le capteur sont remis à zéro.
Non	Le capteur a été étalonné précédemment avec ce contrôleur.

15. Ramenez le capteur dans le fluide de processus et appuyez sur **ENTER**.
Le signal de sortie revient dans l'état actif et la valeur d'échantillon mesurée apparaît sur l'écran de mesure.
Remarque : Si le mode de sortie est sur maintien ou transfert, sélectionnez la temporisation lors du retour des sorties à l'état actif.

Modification des options d'étalonnage

L'utilisateur peut définir un rappel ou inclure un ID d'opérateur avec les données d'étalonnage depuis le menu OPTIONS ETA.

1. Appuyer sur la touche **MENU** et sélectionner Prog capteur, [Sélectionner le capteur], Etalonner, Options éta.
2. Utiliser les touches fléchées pour sélectionner une option et appuyer sur **ENTER** (Entrée).

Option	Description
SELECT BUFFER (Sélection du tampon)	Pour les capteurs de pH seulement — modifier le jeu de solutions tampon reconnues pour l'étalonnage à pH 4,00, 7,00, 10,00 (jeu par défaut) ou DIN 19267 (pH 1,09, 4,65, 6,79, 9,23, 12,75) <i>Remarque : Il est possible d'utiliser d'autres tampons si l'option d'échantillon à 1 point ou d'échantillon à 2 points est sélectionnée pendant l'étalonnage.</i>
RAPPEL ETAL	Définit un rappel pour le prochain étalonnage en jours mois ou années — Aucun (par défaut), 1 jour, 7, 30, 60, ou 90 jours, 6 ou 9 mois, 1 ou 2 ans
ID OP sur ETA	Inclut un ID d'opérateur avec les données d'étalonnage — Oui ou Non (par défaut). L'identifiant est saisi pendant l'étalonnage.

Maintenance

▲ ATTENTION



Dangers multiples. Seul le personnel qualifié doit effectuer les tâches détaillées dans cette section du document.

Nettoyage de l'instrument

Nettoyez l'extérieur de l'instrument avec un chiffon humide, puis essuyez l'instrument en ne laissant aucune trace d'humidité.

Nettoyage de l'électrode

Nettoyer attentivement l'électrode une fois par mois avec un chiffon doux non abrasif.

Remplacement d'une sonde

Pour le remplacement d'une électrode ou d'une sonde de température, voir [Figure 4](#) et [Tableau 1](#).

Figure 4 Câblage de la boîte de jonction

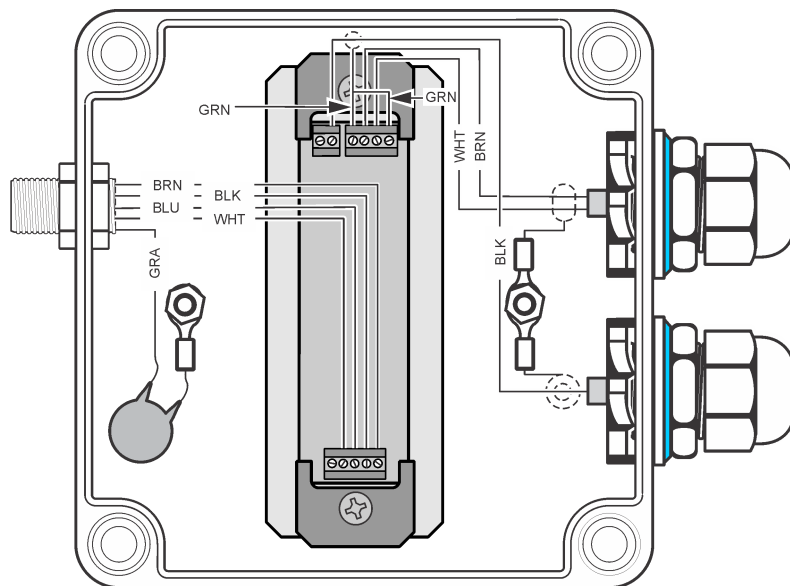


Tableau 1 Description des câbles

Capteur	Câble	Description
Electrode pH/ORP	Câble noir rigide (centre)	Permet de mesurer le pH ou le potentiel d'oxydoréduction (ORP)
Electrode pH/ORP	Blindage interne en cuivre vert	Référence
Electrode pH/ORP	Blindage externe en cuivre vert	Mise à la terre de protection
Capteur de température	Marron et blanc	Capteur Pt100

Stockage

Si le fonctionnement du système doit être interrompu momentanément, l'électrode doit être stockée.

1. Remplir le bouchon de protection de 3 M KCl.
2. Installer le bouchon de protection sur le bulbe de l'électrode.

Dépannage

Problème	Cause possible	Solution
L'étalonnage n'est pas accepté.	L'électrode de mesure ou de référence n'est pas défectueuse.	Remplacer l'électrode défectueuse.
	Le câblage vers le contrôleur pose problème.	Inspecter le câblage de l'électrode vers le contrôleur. Vérifier la connexion entre les câbles métalliques.
	Le contrôleur est défectueux.	Remplacer le contrôleur.

Problème	Cause possible	Solution
Les relevés sont irréguliers.	Une bulle d'air est coincée à l'extrémité de l'électrode.	Positionner l'électrode de façon à ce que les bulles d'air ne se coincent pas sous l'électrode.
	L'électrode ne dispose pas d'un raccordement correct à la terre.	Voir Branchement de la connexion de mise à la terre à la page 28.
	L'ampoule est défectueuse.	Remplacer l'électrode.
	Une interférence est causée par un potentiel de flux.	Raccorder la mise à la terre de protection à la solution qui se trouve à proximité de l'électrode. Une mise à la terre de la solution est très importante pour une eau ultra pure.
La réponse est lente.	L'échantillon est froid et/ou de faible force ionique.	Augmenter la température de l'échantillon.
Le relevé de pH est en constante évolution.	L'électrode n'a pas été suffisamment préparée.	Faire tremper une électrode neuve ou sèche pendant au moins 10 heures dans l'échantillon de traitement, puis étalonner l'électrode.

Pièces de rechange et accessoires

▲ AVERTISSEMENT



Risque de blessures corporelles. L'utilisation de pièces non approuvées comporte un risque de blessure, d'endommagement de l'appareil ou de panne d'équipement. Les pièces de rechange de cette section sont approuvées par le fabricant.

Remarque : Les numéros de référence de produit et d'article peuvent dépendre des régions de commercialisation. Prenez contact avec le distributeur approprié ou consultez le site web de la société pour connaître les personnes à contacter.

Solutions d'étalonnage

Description	Quantité	Article n°
Solution de pH 4, NIST	500 ml	2283449
Solution de pH 7, NIST	500 ml	2283549
Solution de pH 10, NIST	500 ml	2283649
Solution de référence ORP, 200 mV	500 ml	25M2A1001-115
Solution de référence ORP, 600 mV	500 ml	25M2A1002-115

Pièces de rechange

Description	Article n°
Filetage, ¼ Diam. ext., 1/8 NPT, connecteur mâle	6178800
Filetage, ¼ diam. ext., ¼ NPT, raccord	6178600
Débitmètre	4598700
Electrode ORP	08362=A=2111
Electrode pH	08362=A=2000
Câble de l'électrode pH/ORP, 3 m	359016,10110
Câble Pt100, 3m	08362=A=3001

Pièces de rechange (suite)

Description	Article n°
Capteur de température Pt100	08362=A=1001
Tube, dos	6178700
Tube, face	6178900
Connecteurs de tube, 1/8-in NPT, 2 chaque	08362=A=4000

Accessoires

Description	Article n°
Rallonge du Contrôleur, 1 m (3.2 ft)	6122400
Rallonge du Contrôleur, 7,6 m (25 ft)	57960-00
Rallonge du Contrôleur, 15,2 m (50 ft)	5796100
Rallonge du Contrôleur, 30,5 m (100 ft)	57962-00

Tabla de contenidos

Especificaciones en la página 36

Información general en la página 36

Instalación en la página 38

Calibración del electrodo en la página 40

Mantenimiento en la página 43

Solución de problemas en la página 45

Piezas de repuesto y accesorios en la página 45

Especificaciones

Las especificaciones están sujetas a cambios sin previo aviso.

Especificación	Detalles
Dimensiones (An x Pr x Al)	30,5 x 38,4 x 16,6 cm (12 x 15,1 x 6,5 pulg.)
Peso	3,6 kg (8 lb)
Caudal	100 a 300 ml/min
Presión máxima	6 bares a 25 °C (87 psi)
Sonda de temperatura	Pt100
Rango de temperatura	0 a 80 °C (32 a 176 °F)
Temperatura de funcionamiento	0 a 60 °C (32 a 140 °F)
Humedad de funcionamiento	0 a 100% sin condensación
Rango de medición (pH)	pH de 2 a 12 a una temperatura de 0 a 80 °C (32 a 176 °F)
Intervalo de medición (ORP)	-1500 a +1500 mV a una temperatura de 0 a 50 °C (32 a 122 °F)
Precisión	< 0.1 pH or ± 5 mV para agua ultra pura
Repetibilidad	pH/24 horas 0.01
Longitud del cable	7,7 m (25 ft) incluido
Certificaciones	CE
Garantía	1 año, 2 años UE

Información general

En ningún caso el fabricante será responsable de ningún daño directo, indirecto, especial, accidental o resultante de un defecto u omisión en este manual. El fabricante se reserva el derecho a modificar este manual y los productos que describen en cualquier momento, sin aviso ni obligación. Las ediciones revisadas se encuentran en la página web del fabricante.

Información de seguridad

AVISO

El fabricante no es responsable de ningún daño debido a un mal uso de este producto incluyendo, sin limitación, daños directos, fortuitos o circunstanciales y reclamaciones sobre los daños que no estén recogidos en la legislación vigente. El usuario es el responsable de la identificación de los riesgos críticos y de tener los mecanismos adecuados de protección de los procesos en caso de un posible mal funcionamiento del equipo.

Lea todo el manual antes de desembalar, instalar o trabajar con este equipo. Ponga atención a todas las advertencias y avisos de peligro. El no hacerlo puede provocar heridas graves al usuario o daños al equipo.





Asegúrese de que la protección proporcionada por el equipo no está dañada. No utilice ni instale este equipo de manera distinta a lo especificado en este manual.

Uso de la información sobre riesgos



▲ PELIGRO	
	Indica una situación potencial o de riesgo inminente que, de no evitarse, provocará la muerte o lesiones graves.
▲ ADVERTENCIA	
	Indica una situación potencial o inminentemente peligrosa que, de no evitarse, podría provocar la muerte o lesiones graves.
▲ PRECAUCIÓN	
	Indica una situación potencialmente peligrosa que podría provocar una lesión menor o moderada.
AVISO	
	Indica una situación que, si no se evita, puede provocar daños en el instrumento. Información que requiere especial énfasis.

Etiquetas de precaución

Lea todas las etiquetas y rótulos adheridos al instrumento. En caso contrario, podrían producirse heridas personales o daños en el instrumento. Se incluye un símbolo, en caso de estar rotulado en el equipo, con una indicación de peligro o de advertencia en el manual.

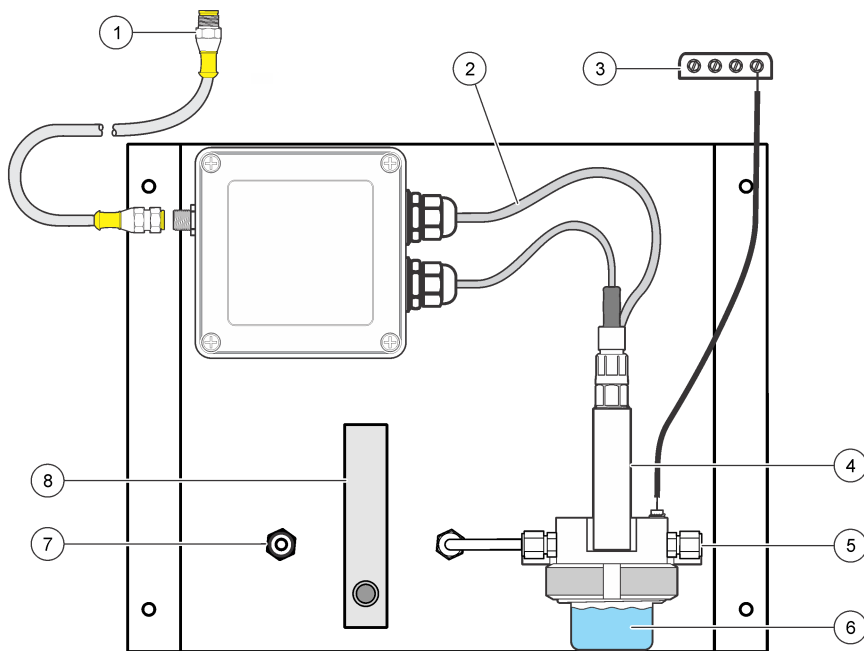
	Este símbolo (en caso de estar colocado en el equipo) hace referencia a las instrucciones de uso o a la información de seguridad del manual.
	En Europa, el equipo eléctrico marcado con este símbolo no se debe desechar mediante el servicio de recogida de basura doméstica o pública. Devuelva los equipos viejos o que hayan alcanzado el término de su vida útil al fabricante para su eliminación sin cargo para el usuario.
	Este símbolo indica que la pieza marcada podría estar caliente y que debe tocarse con precaución.
	Este símbolo indica que el objeto marcado requiere una toma a tierra de seguridad. Si el instrumento no se suministra con un cable con enchufe de toma a tierra, realice la conexión a tierra de protección al terminal conductor de seguridad.

Descripción general del producto

▲ PELIGRO	
	Peligro de explosión. El instrumento no está aprobado para su instalación en lugares peligrosos.
▲ ADVERTENCIA	
	Peligro de quemadura. Obedezca los protocolos de manipulación mientras esté en contacto con los componentes de la muestra.

El panel de medición de agua ultrapura 8362 sc mide de forma continua el pH u ORP en las aplicaciones de purificación de aguas. El sistema está totalmente sellado para impedir la contaminación procedente del dióxido de carbono atmosférico. Varias de sus funciones se emplean para proporcionar mediciones del pH/ORP de un alto grado de precisión. El panel se conecta a un controlador digital externo para su funcionamiento. Consulte la sección [Figura 1](#).

Figura 1 Descripción general del producto



1 Conector del controlador	5 Entrada de muestra
2 Sensor de temperatura	6 Cámara de flujo
3 Toma a tierra de protección	7 Conector de drenaje
4 Electrodo de pH u ORP	8 Medidor de flujo

Componentes del producto

El panel se monta en fábrica con todos sus componentes fijados y con los tubos correspondientes.

Instalación

⚠ PRECAUCIÓN



Peligros diversos. Sólo el personal cualificado debe realizar las tareas descritas en esta sección del documento.

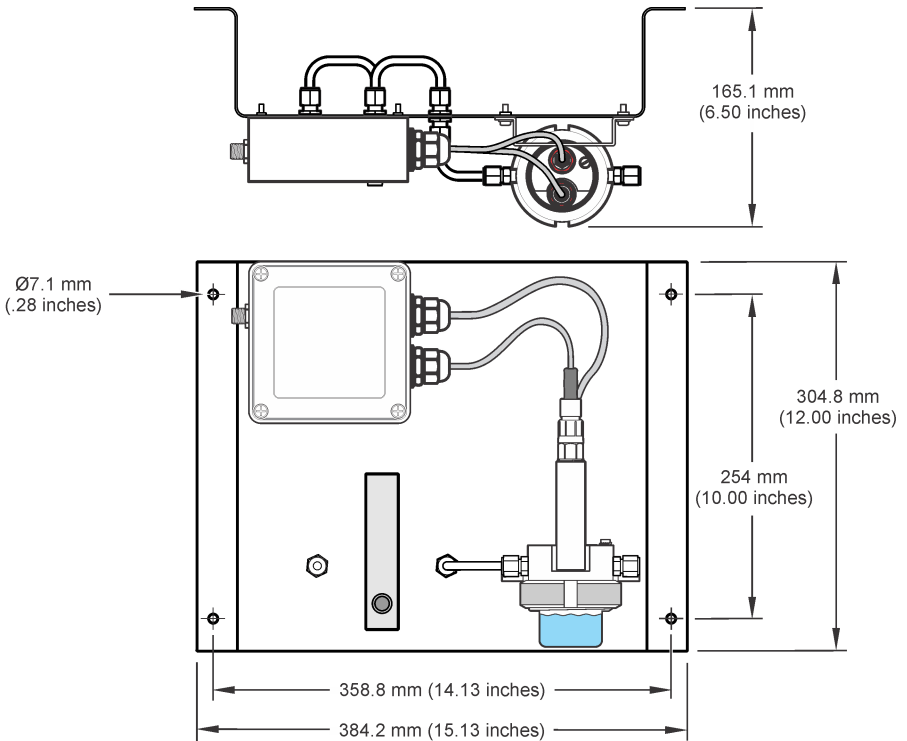
Fijación del panel a la pared

Fije el panel verticalmente a una pared o estructura capaz de soportar 15 kg (32 lb) de fuerza descendente como mínimo. Elija una ubicación desde la que se pueda acceder al medidor de flujo y la caja de empalme. Consulte la sección [Figura 2](#).

Tornillería suministrada por el usuario:

- 4 tornillos de 10 × 40 mm (7/16 × 1,5 pulg.)

Figura 2 Dimensiones de instalación



Conexión de los tubos de drenaje y de muestra

Tras la fijación del panel a la pared, conecte los tubos de drenaje y de muestra a las tomas situadas en la parte delantera del panel.

1. Conecte el tubo de muestra a la toma de entrada para tubos de ¼ pulg. de diámetro externo.
2. Conecte el tubo de drenaje a la toma de drenaje de ¼ pulg. de diámetro externo. Mantenga el tubo del drenaje lo más corto posible para evitar contrapresiones.

No instale el tubo de drenaje en la corriente de muestra principal.

Conexión al controlador

El panel se conecta a un controlador externo para su funcionamiento. Conecte el cable del controlador al accesorio de conexión rápida de la caja de empalme.

Conexión de la toma a tierra de protección

Conecte el cable de tierra de la cámara de flujo a una toma a tierra para reducir al mínimo el ruido eléctrico. El controlador y el panel deben utilizar la misma toma a tierra.

Preparación del electrodo

Se debe sumergir el electrodo en el agua de procesamiento durante al menos 10 horas antes de su uso. No olvide calibrar el electrodo tras su preparación.

1. Retire la cámara de flujo. Consulte la sección [Figura 3](#) en la página 41.
2. Retire la tapa de protección del electrodo. Guarde la tapa de protección para cuando vaya a almacenar el electrodo durante un largo periodo de tiempo. Consulte la sección [Almacenamiento](#) en la página 44.
3. Enjuague la ampolla del electrodo con agua desionizada, tampón pH (para electrodos de pH)
4. Instale la cámara de flujo.

Configuración del caudal

Mantenga el caudal entre 100–300 ml/min con una presión máxima de 4 bares (58 psi). No permita que la cámara del flujo se vacíe.

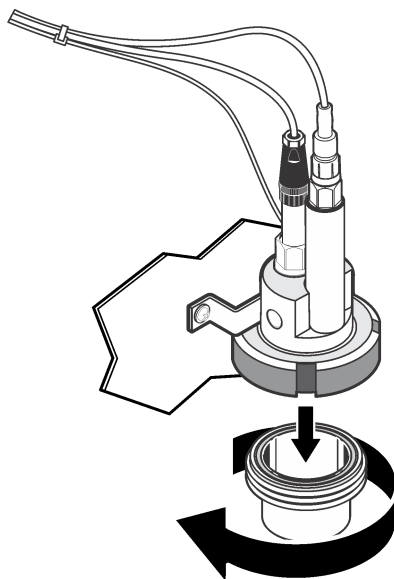
1. Abra la válvula del tubo de muestra para que el flujo de muestra pase por el panel.
2. Gire el mando del medidor de flujo para establecer el caudal entre 100–300 ml/min.
3. Compruebe si hay burbujas en la cámara de flujo. Ajuste el caudal para eliminar las burbujas.

Calibración del electrodo

Requisito previo: sumergir el electrodo en el agua de procesamiento durante al menos 10 horas. Utilice el método de calibración de 2 puntos con una solución buffer de pH 7 y pH 4 para obtener mejores resultados.

1. Detenga el flujo de muestra.
2. Retire la cámara de flujo. Consulte la sección [Figura 3](#).
3. Enjuague la cámara de flujo y el electrodo con agua desionizada.
4. Llene la cámara de flujo con buffer de pH 7.
5. Instale la cámara de flujo con buffer de pH 7.
6. Calibre el electrodo con el controlador. Consulte la sección [Procedimiento de calibración de pH](#) en la página 41.
7. Una vez finalizada la calibración, retire la cámara de flujo y enjuáguela con agua desionizada. Instale la cámara de flujo.
8. Abra la válvula del tubo de muestra y ajuste el caudal. Consulte la sección [Configuración del caudal](#) en la página 40.
9. Deje pasar el flujo de muestra por el panel durante al menos 1 hora antes de la comparación con otro instrumento

Figura 3 Extracción de la cámara de flujo



Procedimiento de calibración de pH

Los sensores se pueden calibrar con 1 o 2 soluciones de referencia (calibración de 1 punto o de 2 puntos). Las soluciones buffer estándar se reconocen automáticamente. Asegúrese de que se emplea el conjunto de tampón correcto (consulte la [Cambio de las opciones de calibración](#) en la página 43).

1. Coloque el sensor en la primer solución de referencia.
2. Espere a que la temperatura del sensor y de la solución sean uniformes. Esto puede demorar 30 minutos o más si la diferencia de temperatura entre la solución del proceso y la solución de referencia es significativa.
3. Pulse la tecla **MENU** (Menú) y seleccione Sensor Setup (Configuración del sensor), [seleccione el sensor], Calibrate (Calibrar).
4. Seleccione el tipo de calibración:

Opción	Descripción
Buffer de 2 puntos	Utilice 2 buffer para la calibración, por ej., pH 7 y pH 4 (método recomendado). Los buffer deben provenir del conjunto de buffer especificado en el menú Opciones de calibración (consulte Cambio de las opciones de calibración en la página 43).
Buffer de 1 punto	Utilice 1 buffer para la calibración, por ej., pH 7. Los buffer deben provenir del conjunto de buffer especificado en el menú Opciones de calibración.
Muestra de 2 puntos	Utilice 2 muestras o buffer con valor pH conocido para la calibración. Determine el pH de las muestras con otro instrumento.
Muestra de 1 punto	Utilice 1 muestra o buffer para la calibración. Determine el pH de las muestras con otro instrumento.

5. En caso de que la contraseña esté habilitada en el menú de seguridad del controlador, introdúzcala.

6. Seleccione la opción de la señal de salida durante la calibración:

Opción	Descripción
Active (Activo)	Durante el proceso de calibración el instrumento envía el valor de medición actual de salida.
Hold (Retenido)	Durante el proceso de calibración el valor de salida del sensor se mantiene en el valor de medición actual.
Transfer (Transferencia)	Durante la calibración se envía un valor de salida predeterminado. Consulte el manual del usuario del controlador para cambiar el valor predeterminado.

7. Con el sensor en la primer solución de referencia, pulse **ENTER**.

Aparecerá el valor de la medición.

8. Espere hasta que el valor se estabilice y pulse **ENTER** (Intro).

Nota: Posiblemente la pantalla avance automáticamente al siguiente paso.

9. Si la solución de referencia es una muestra, mida el pH con un instrumento de verificación auxiliar. Utilice las teclas de desplazamiento del cursor para introducir el valor medido y pulse **ENTER** (Intro).

Nota: En caso de utilizar un buffer de pH que no se encuentra en la lista del menú Opciones de calibración, consulte la botella del buffer para averiguar el valor de pH que corresponde a su temperatura.

10. Para una calibración de 2 puntos, mida la segunda solución de referencia (o muestra):

a. Saque el sensor de la primer solución y enjuague con agua limpia.

b. Coloque el sensor en la siguiente solución de referencia y pulse **ENTER**.

c. Espere hasta que el valor se estabilice. Pulse **ENTER** (Intro).

Nota: Posiblemente la pantalla avance automáticamente al siguiente paso.

d. Si la solución de referencia es una muestra, mida el pH con un instrumento de verificación auxiliar. Utilice las teclas de desplazamiento del cursor para introducir el valor medido y pulse **ENTER** (Intro).

11. Revise el resultado de la calibración:

• Aprobado: el sensor está calibrado y listo para medir muestras. Aparecen los resultados de la pendiente y/o el offset.

• No aprobado: la pendiente o el offset se encuentran fuera de los límites aceptados. Vuelva a realizar la calibración con soluciones de referencia nuevas.

12. Si la calibración fue aprobada, pulse **ENTER** para continuar.

13. En caso que la opción para la identificación del operador esté configurada en Sí en el menú Opciones de calibración, ingrese un identificador. Consulte [Cambio de las opciones de calibración](#) en la página 43.

14. En la pantalla Sensor nuevo, seleccione si el sensor es nuevo o no:

Opción	Descripción
Sí	El sensor no fue calibrado anteriormente con este controlador. Los días de funcionamiento y las curvas de calibraciones anteriores del sensor están restablecidas.
No	El sensor fue calibrado anteriormente con este controlador.

15. Vuelva el sensor al proceso y pulse **ENTER**.

Se vuelve a activar la señal de salida y en la pantalla de medición aparece el valor de medición de la muestra.

Nota: En caso que la modalidad de salida esté configurada en Retenido o Transferencia, seleccione el tiempo de demora cuando las salidas se vuelven a activar.

Cambio de las opciones de calibración

El usuario puede configurar un recordatorio o incluir un identificador de operador con los datos de la calibración en el menú OPCIONES DE CAL.

1. Pulse la tecla **MENU** y seleccione Configuración del sensor, [seleccione el sensor], Calibrar, Opciones de cal.
2. Utilice las teclas de desplazamiento del cursor para seleccionar una opción y pulse **ENTER**.

Opción	Descripción
SELECCIONE BUFFER	Para sensores de pH solamente: cambia la configuración de las soluciones buffer reconocidas para calibración de pH 4, 7, 10 (configuración predeterminada) o DIN 19267 (pH 1,09, 4,65, 6,79, 9,23, 12,75) Nota: <i>Se pueden utilizar otros buffer si durante la calibración se selecciona la opción de muestra de 1 punto o de 2 puntos.</i>
RECORDAT CAL	Establece un recordatorio para la próxima calibración en días, meses o años: apagado (configuración predeterminada), 1 día, 7, 30, 60 o 90 días, 6 o 9 meses, 1 o 2 años
ID DE OP de CAL	Incluye una identificación del operador con los datos de calibración: Sí o No (configuración predeterminada). La identificación se ingresa durante la calibración.

Mantenimiento

▲ PRECAUCIÓN



Peligros diversos. Sólo el personal cualificado debe realizar las tareas descritas en esta sección del documento.

Limpeza del instrumento

Limpie el exterior del instrumento con un paño húmedo y una solución jabonosa suave y, a continuación, seque el instrumento según sea necesario.

Limpeza del electrodo

Limpie con cuidado el electrodo todos los meses con un trapo suave no abrasivo.

Sustitución de la sonda

Para sustituir un sensor de temperatura o un electrodo, consulte [Figura 4](#) y [Tabla 1](#).

Figura 4 Cableado de la caja de empalme

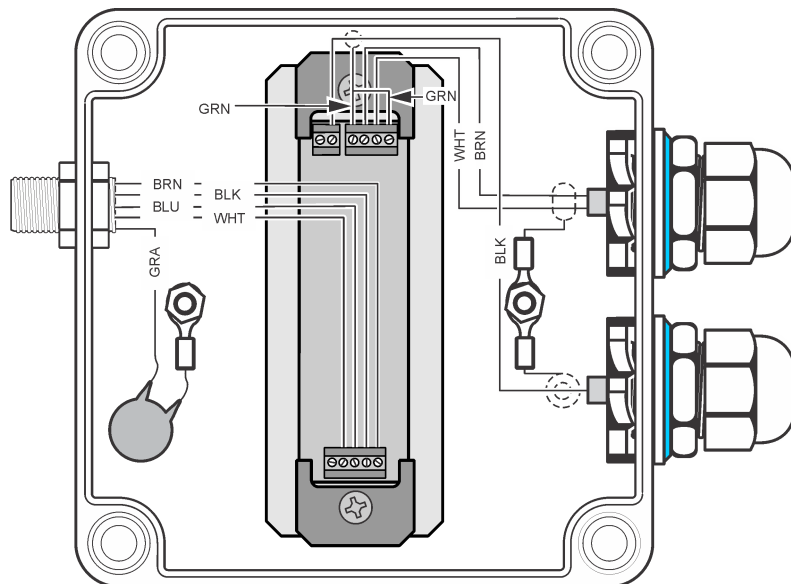


Tabla 1 Descripción del cableado

Sonda	Cable	Descripción
Electrodo de pH/ORP	Cable rígido negro (central)	Mide el pH u ORP
Electrodo de pH/ORP	Cobre verdoso, con blindaje interno	Referencia
Electrodo de pH/ORP	Cobre verdoso, con blindaje externo	Toma a tierra de protección
Sensor de temperatura	Marrón y blanco	Sensor Pt100

Almacenamiento

Si se va a retirar del funcionamiento el dispositivo durante un determinado periodo de tiempo, conserve el electrodo en una solución de almacenamiento.

1. Llene la tapa de protección con 3 M KC1.
2. Coloque la tapa de protección en el bulbo del electrodo.

Solución de problemas

Problema	Posible causa	Solución
No se acepta la calibración.	La medición o el electrodo de referencia están defectuosos.	Reemplace el electrodo defectuoso.
	Existe un problema con el cableado del controlador.	Examine el cableado del electrodo al controlador. Asegúrese de que existe una buena conexión de la parte metálica del cable.
	El controlador está defectuoso.	Sustituya el controlador.
Las lecturas son irregulares.	Hay una burbuja de aire atrapada en el extremo del electrodo.	Ajuste la posición del electrodo para que las burbujas de aire no queden atrapadas debajo del electrodo.
	La conexión a tierra del electrodo no es correcta.	Consulte la sección Conexión de la toma a tierra de protección en la página 39.
	El bulbo de vidrio está defectuoso.	Sustituya el electrodo.
	Existen interferencias del potencial de flujo.	Conecte una toma de tierra a la solución cerca del electrodo. Una toma de tierra es más importante para el agua ultrapura.
La respuesta es lenta.	La muestra está fría y/o con poca fuerza iónica.	Aumente la temperatura de la muestra.
La lectura del pH cambia continuamente.	La preparación del electrodo fue insuficiente.	Sumerja un electrodo nuevo o uno seco durante al menos 10 horas en la muestra de procesamiento y, a continuación, proceda a su calibración.

Piezas de repuesto y accesorios

⚠ ADVERTENCIA



Peligro de lesión personal. El uso de piezas no aprobadas puede causar lesiones personales, daños al instrumento o un mal funcionamiento del equipo. Las piezas de repuesto que aparecen en esta sección están aprobadas por el fabricante.

Nota: Las referencias de los productos pueden variar para algunas regiones de venta. Póngase en contacto con el distribuidor correspondiente o visite la página web de la empresa para obtener la información de contacto.

Soluciones de calibración

Descripción	Cantidad	Referencia
Solución de pH 4, NIST	500 ml	2283449
Solución de pH 7, NIST	500 ml	2283549
Solución de pH 10, NIST	500 ml	2283649
Solución de referencia para ORP, 200 mV	500 ml	25M2A1001-115
Solución de referencia para ORP, 600 mV	500 ml	25M2A1002-115

Piezas de repuesto

Descripción	Referencia
Adaptador macho, ¼ de diámetro externo, rosca 1/8 NPT.	6178800
Adaptador entre tuberías ¼ (Diam. Ext.), rosca ¼ NPT.	6178600

Piezas de repuesto (continúa)

Descripción	Referencia
Caudalímetro	4598700
Electrodo de ORP (REDOX)	08362=A=2111
Electrodo para pH	08362=A=2000
Cable para electrodo de pH/ORP, 3 m	359016,10110
Cable Pt100, 3m	08362=A=3001
Sensor de temperatura Pt100	08362=A=1001
Tubería, trasera	6178700
Tubería frontal	6178900
2 conectores para tubería cada uno, rosca 1/8 pulg. NPT	08362=A=4000

Accesorios

Descripción	Referencia
Cable de extensión para controlador, 1 m (3.2 ft)	6122400
Cable de extensión para controlador, 7,6 m (762,00 cm)	57960-00
Cable de extensión para controlador, 15,2 m (1.524,00 cm)	5796100
Cable de extensión para controlador, 30,5 m (3.048,00 cm))	57962-00

Sommario

Dati tecnici a pagina 47

Informazioni generali a pagina 47

Installazione a pagina 49

Calibrazione dell'elettrodo a pagina 51

Manutenzione a pagina 54

Risoluzione dei problemi a pagina 56

Parti di ricambio e accessori a pagina 56

Dati tecnici

I dati tecnici sono soggetti a modifica senza preavviso.

Dato tecnico	Dettagli
Dimensioni (L x P x A)	30.5 x 38.4 x 16.6 cm (12 x 15.1 x 6.5 poll.)
Peso	3.6 kg (8 lb)
Portata	100 - 300 mL/min
Pressione massima	6 bar a 25 °C (87 psi)
Sonda di temperatura	Pt100
Intervallo di temperatura	da 0 a 80°C (da 32 a 176° F)
Temperatura di esercizio	Da 0 a 60 °C (da 32 a 140 °F)
Umidità di esercizio	Dal 0% al 100%, non condensante
Intervallo misurazioni (pH)	pH da 2 a 12 pH da 0 a 80 °C (da 32 a 176°F)
Intervallo di misurazione (ORP)	da -1500 to +1500 mV da 0 a 50 °C (da 32 a 122°F)
Accuratezza	< 0.1 pH o ± 5 mV per acqua ultra pura
Ripetibilità	0.01 pH/24 ore
Lunghezza cavo	7.7 m (25 ft) forniti
Certificazioni	CE
Garanzia	1 anno; 2 anni UE

Informazioni generali

In nessun caso, il produttore potrà essere ritenuto responsabile per danni diretti, indiretti o accidentali per qualsiasi difetto o omissione relativa al presente manuale. Il produttore si riserva il diritto di apportare eventuali modifiche al presente manuale e ai prodotti ivi descritti in qualsiasi momento senza alcuna notifica o obbligo preventivi. Le edizioni riviste sono presenti nel sito Web del produttore.

Informazioni sulla sicurezza

AVVISO

Il produttore non sarà da ritenersi responsabile in caso di danni causati dall'applicazione errata o dall'uso errato di questo prodotto inclusi, a puro titolo esemplificativo e non limitativo, i danni incidentali e consequenziali; inoltre declina qualsiasi responsabilità per tali danni entro i limiti previsti dalle leggi vigenti. La responsabilità relativa all'identificazione dei rischi critici dell'applicazione e all'installazione di meccanismi appropriati per proteggere le attività in caso di eventuale malfunzionamento dell'apparecchiatura compete unicamente all'utilizzatore.

Prima di disimballare, installare o utilizzare l'apparecchio, si prega di leggere l'intero manuale. Si raccomanda di leggere con attenzione e rispettare le istruzioni riguardanti note di pericolosità. La non osservanza di tali indicazioni potrebbe comportare lesioni gravi all'operatore o danni all'apparecchio.





Assicurarsi che i dispositivi di sicurezza insiti nell'apparecchio siano efficaci all'atto della messa in servizio e durante l'utilizzo dello stesso. Non utilizzare o installare questa apparecchiatura in modo diverso da quanto specificato nel presente manuale.

Indicazioni e significato dei segnali di pericolo



▲ PERICOLO	
	Indica una situazione di pericolo potenziale o imminente che, se non evitata, causa lesioni gravi anche mortali.
▲ AVVERTENZA	
	Indica una situazione di pericolo potenziale o imminente che, se non evitata, potrebbe comportare lesioni gravi, anche mortali.
▲ ATTENZIONE	
	Indica una situazione di pericolo potenziale che potrebbe comportare lesioni lievi o moderate.
AVVISO	
	Indica una situazione che, se non evitata, può danneggiare lo strumento. Informazioni che richiedono particolare attenzione da parte dell'utente.

Etichette precauzionali

Leggere tutte le etichette presenti sullo strumento. La mancata osservanza delle stesse può causare lesioni personali o danni allo strumento. A ogni simbolo riportato sullo strumento corrisponde un'indicazione di pericolo o di avvertenza nel manuale.

	Tale simbolo, se apposto sullo strumento, fa riferimento al manuale delle istruzioni per il funzionamento e/o informazioni sulla sicurezza.
	Le apparecchiature elettriche contrassegnate con questo simbolo non possono essere smaltite attraverso sistemi domestici o pubblici europei. Restituire le vecchie apparecchiature al produttore il quale si occuperà gratuitamente del loro smaltimento.
	Questo simbolo indica che l'elemento contrassegnato può essere caldo e deve essere toccato con le dovute precauzioni.
	Questo simbolo indica che l'elemento contrassegnato richiede una connessione a terra di protezione. Se lo strumento non dispone di spina di messa a terra, effettuare un collegamento di terra sul terminale del conduttore di protezione.

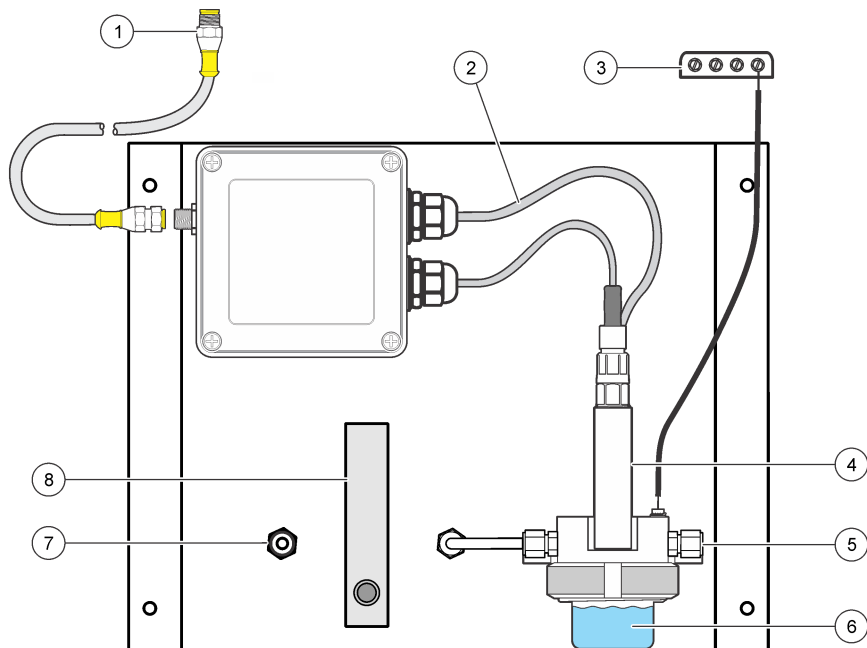
Descrizione del prodotto

▲ PERICOLO	
	Pericolo di esplosione. Lo strumento non è approvato per essere utilizzato in luoghi pericolosi.
▲ AVVERTENZA	
	Pericolo di ustioni. Rispettare i protocolli per una manipolazione sicura durante il contatto con i componenti di campionamento caldi.

Il pannello 8362 sc High Purity Water misura in modo continuo il pH o ORP nelle applicazioni per acque pure. Il sistema è completamente sigillato per evitare la contaminazione da biossido di carbonio atmosferico. Sono disponibili diverse caratteristiche che permettono misure online di

pH/ORP con elevato grado di precisione. Il pannello è collegato a un controller digitale esterno. Fare riferimento a [Figura 1](#).

Figura 1 Descrizione del prodotto



1 Connettore del controller	5 Ingresso per flussi di campione
2 Sensore di temperatura	6 Camera di flusso
3 Morsa a terra di protezione	7 Connettore di scarico
4 Elettrodo per pH o ORP	8 Flussometro

Componenti del prodotto

Il pannello è assemblato in fabbrica con tutti i componenti collegati e sigillati.

Installazione

⚠ ATTENZIONE



Pericoli multipli. Gli interventi descritti in questa sezione del documento devono essere eseguiti solo da personale qualificato.

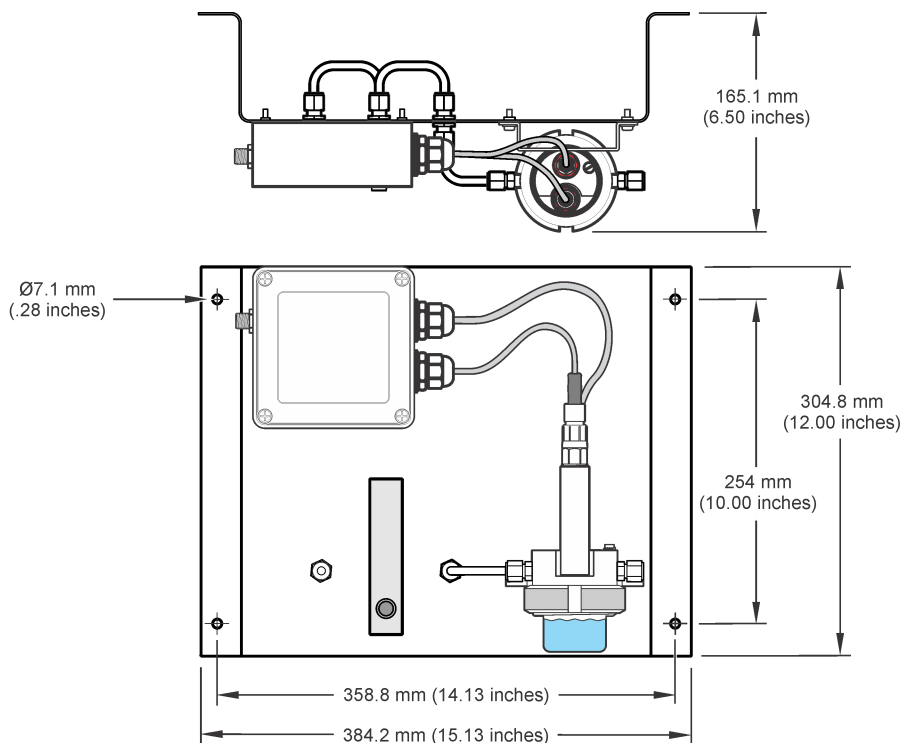
Fissaggio dello strumento a una parete

Installare il pannello verticalmente su una parete o su una struttura in grado di sostenere un minimo di 15 kg (32 lb) di spinta verso il basso. Posizionarlo in un punto in cui sia possibile accedere al flussometro e alla morsetteria. Fare riferimento a [Figura 2](#).

Hardware in dotazione:

- Quattro bulloni, 10 × 40 mm (7/16 × 1,5 in.)

Figura 2 Dimensioni di installazione



Collegamento delle tubazioni dei campioni e di scarico

Dopo aver fissato il pannello alla parete, collegare le tubazioni di campione e scarico ai raccordi nella parte anteriore del pannello.

1. Collegare la tubazione del campione al raccordo di ingresso del tubo con diametro esterno da 1/4 di pollice.
2. Collegare una tubazione di scarico al raccordo del tubo di scarico con diametro esterno da 1/4 di pollice. Mantenere più corta possibile la tubazione di scarico per evitare la retropressione.

Non installare nuovamente la tubazione di scarico nel flusso campione principale.

Collegamento al controller

Il pannello è collegato a un controller esterno. Collegare il cavo dal controller al raccordo a collegamento rapido nella morsettiera

Collegare la messa a terra di protezione

Collegare il filo di messa a terra della camera di flusso a una messa a terra di protezione per ridurre al minimo il rumore elettrico. Il controller e il pannello devono utilizzare la stessa sorgente per la messa a terra di protezione.

Preparazione dell'elettrodo

L'elettrodo deve essere immerso nell'acqua di processo per almeno 10 ore prima dell'uso. Accertarsi di aver calibrato l'elettrodo dopo la preparazione.

1. Rimuovere la camera di flusso. Fare riferimento a [Figura 3](#) a pagina 52.
2. Rimuovere il tappo di protezione dall'elettrodo. Mettere da parte il tappo di protezione per l'utilizzo in caso di stoccaggio prolungato. Fare riferimento a [Stoccaggio](#) a pagina 55.
3. Sciacquare il bulbo dell'elettrodo con acqua deionizzata, soluzione tampone pH (per elettrodi per pH) o soluzione standard ORP (per elettrodi ORP).
4. Installare la camera di flusso.

Impostazione della portata di

Mantenere la portata tra 100–300 mL/min a una pressione massima di 4 bar (58 psi). Non consentire il completo svuotamento della camera di flusso.

1. Aprire la valvola della tubazione del campione per consentire al campione di scorrere attraverso il pannello.
2. Ruotare la manopola sul flussometro per impostare la portata tra 100–300 mL/min.
3. Controllare la presenza di bolle nella camera di flusso. Regolare il flusso per eliminare le bolle.

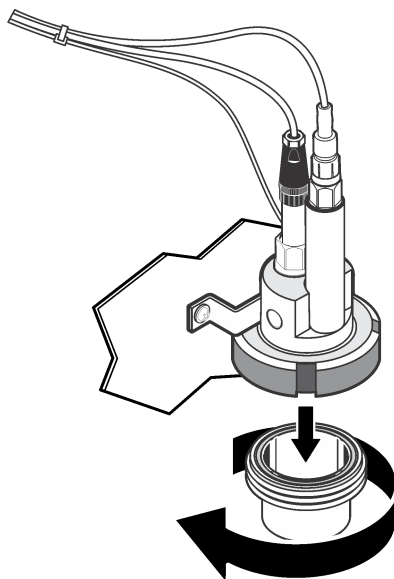
Calibrazione dell'elettrodo

Prerequisito: immergere l'elettrodo in acqua di processo per almeno 10 ore.

Utilizzare un metodo di calibrazione su 2 punti con una soluzione tampone a pH 7 e pH 4 per ottenere i risultati migliori.

1. Arrestare il flusso del campione.
2. Rimuovere la camera di flusso. Fare riferimento a [Figura 3](#).
3. Sciacquare la camera di flusso e l'elettrodo con acqua deionizzata.
4. Riempire la camera di flusso con una soluzione tampone a pH 7.
5. Installare la camera di flusso con la soluzione tampone a pH 7.
6. Utilizzare il controller per calibrare l'elettrodo. Fare riferimento a [Procedura di calibrazione del pH](#) a pagina 52.
7. Al termine della calibrazione, rimuovere e sciacquare la camera di flusso con acqua deionizzata. Installare la camera di flusso.
8. Aprire la valvola sulla tubazione del campione e regolare la portata. Fare riferimento a [Impostazione della portata di](#) a pagina 51.
9. Lasciare affluire il campione attraverso il pannello per almeno 1 ora prima del confronto con un altro strumento.

Figura 3 Rimuovere la camera di flusso



Procedura di calibrazione del pH

I sensori possono essere calibrati con 1 o 2 soluzioni di riferimento (calibrazione a 1 o 2 punti). Le soluzioni tampone standard sono riconosciute automaticamente. Assicurarsi di utilizzare il tampone corretto (fare riferimento a [Cambiare le opzioni di calibrazione](#) a pagina 54).

1. Posizionare il sensore nella prima soluzione di riferimento.
2. Attendere che il sensore e la temperatura della soluzione si equalizzino. Possono essere necessari 30 minuti o un tempo maggiore se la differenza di temperatura tra il processo e la soluzione di riferimento è significativa.
3. Premere il tasto **MENU** e selezionare Sensor Setup (Impostazione sensore), [Select Sensor] [Seleziona sensore], Calibrate (Calibrazione).
4. Selezionare il tipo di calibrazione:

Opzione	Descrizione
2 point buffer (tampone a 2 punti)	Utilizzare 2 soluzioni tampone per la calibrazione, ad esempio a pH 7 e pH 4 (metodo raccomandato). Le soluzioni tampone devono rientrare nell'insieme specificato nel menu Cal Options (Opzioni cal.) (fare riferimento a Cambiare le opzioni di calibrazione a pagina 54).
1 point buffer (tampone a 1 punto)	Utilizzare 1 soluzione tampone per la calibrazione, ad esempio a pH 7. La soluzione tampone deve rientrare nell'insieme specificato nel menu Cal Options (Opzioni cal.).
2 point sample (campione a 2 punti)	Utilizzare 2 campioni o soluzioni tampone di valore pH noto per la calibrazione. Determinare il valore del pH dei campioni con uno strumento diverso.
1 point sample (campione a 1 punto)	Utilizzare 1 campione o soluzione tampone per la calibrazione. Determinare il valore del pH dei campioni con uno strumento diverso.

5. Se il codice di accesso è abilitato nel menu sicurezza del controller, inserire il codice di accesso.

6. Selezionare l'opzione per il segnale di output durante la calibrazione:

Opzione	Descrizione
Active (Attivo)	Lo strumento invia il valore di output misurato corrente durante la procedura di calibrazione.
Hold (Memorizza)	Il valore di output del sensore viene tenuto al valore misurato corrente durante la procedura di calibrazione.
Transfer (Trasmetti)	Un valore di output predefinito viene inviato durante la calibrazione. Per modificare il valore predefinito, fare riferimento al manuale dell'utente del controller.

7. Con il sensore nella prima soluzione di riferimento, premere **ENTER** (INVIO). Viene visualizzato il valore misurato.

8. Attendere che il valore si stabilizzi e premere **ENTER** (INVIO)..

Nota: La schermata potrebbe passare automaticamente al passaggio successivo.

9. Se la soluzione di riferimento è un campione, il valore del pH deve essere determinato con uno strumento di verifica secondario. Utilizzare i tasti a freccia per inserire il valore misurato e premere **ENTER** (INVIO).

Nota: Se una soluzione tampone pH non è elencata nel menu Cal Options (Opzioni cal.), fare riferimento al flacone della soluzione tampone per trovare il valore del pH corrispondente alla temperatura del tampone.

10. Per una calibrazione a 2 punti, misurare la seconda soluzione di riferimento (o campione):

a. Rimuovere il sensore dalla prima soluzione e sciacquare con acqua pulita.

b. Posizionare il sensore nella soluzione di riferimento successiva e premere **ENTER** (INVIO).

c. Attendere la stabilizzazione del valore. Premere **ENTER** (INVIO).

Nota: La schermata potrebbe passare automaticamente al passaggio successivo.

d. Se la soluzione di riferimento è un campione, il valore del pH deve essere determinato con uno strumento di verifica secondario. Utilizzare i tasti a freccia per inserire il valore misurato e premere **ENTER** (INVIO).

11. Risultato della calibrazione:

• Passed: il sensore è calibrato e pronto a misurare campioni. Sono mostrati i valori di pendenza e/o offset.

• Failed: la pendenza o l'offset della calibrazione non rientrano nei limiti accettabili. Ripetere la calibrazione con nuove soluzioni di riferimento.

12. Se la calibrazione riesce, premere **ENTER** (INVIO) per continuare.

13. Se l'opzione per ID operatore è impostata su Yes (Sì) nel menu Calibration Options (Opzioni calibrazione), inserire un ID operatore. Fare riferimento alla [Cambiare le opzioni di calibrazione](#) a pagina 54.

14. Sulla schermata New Sensor (Nuovo sensore), selezionare se il sensore è nuovo:

Opzione	Descrizione
Yes (Sì)	Il sensore non è stato calibrato precedentemente con questo controller. I giorni di funzionamento e le curve di calibrazione precedenti per il sensore sono ripristinati.
No	Il sensore è stato calibrato precedentemente con questo controller.

15. Riportare il sensore nel processo e premere **ENTER** (INVIO).

Il segnale di output torna allo stato attivo e il valore del campione misurato viene mostrato sulla schermata di misurazione.

Nota: Se la modalità di output è impostata su Hold o Transfer, selezionare il tempo di ritardo quando gli output tornano allo stato attivo.

Cambiare le opzioni di calibrazione

L'utente può impostare un promemoria o includere un ID operatore con i dati di calibrazione dal menu CAL OPTIONS (OPZIONI TAR.).

1. Premere il tasto **MENU** e selezionare Sensor Setup (Impostazione sensore), [Select Sensor] [Seleziona sensore], Calibrate (Calibrazione), Cal Options (Opzioni cal.).
2. Utilizzare i tasti a freccia per selezionare un'opzione e premere **ENTER** (INVIO).

Opzione	Descrizione
SELEZIONE TAMPONE	Solo per sensori pH: modifica l'insieme di soluzioni tampone riconosciute per la calibrazione a pH 4.00, 7.00, 10.00 (insieme predefinito) o DIN 19267 (pH 1.09, 4.65, 6.79, 9.23, 12.75) <i>Nota: Altri tamponi possono essere utilizzati se, durante la calibrazione, è selezionata l'opzione con campione a 1 o 2 punti.</i>
PROMEM. CAL	Imposta un promemoria per la calibrazione successiva in giorni, mesi o anni - Off (predefinito), 1 giorno, 7, 30, 60 o 90 giorni, 6 o 9 mesi, 1 o 2 anni
ID OPERAT. SU CAL.	Include un ID operatore con i dati di calibrazione - Yes (SI) o No (predefinito). L'ID viene inserito durante la calibrazione.

Manutenzione

⚠ ATTENZIONE



Pericoli multipli. Gli interventi descritti in questa sezione del documento devono essere eseguiti solo da personale qualificato.

Pulizia dello strumento

Pulire le superfici esterne dello strumento con un panno inumidito con una soluzione contenente sapone delicato; quindi asciugare lo strumento secondo necessità.

Pulire l'elettrodo

Pulire accuratamente l'elettrodo ogni mese con un panno morbido non abrasivo.

Sostituzione di una sonda

Per sostituire un elettrodo o il sensore di temperatura, fare riferimento alla [Figura 4](#) e alla [Tabella 1](#).

Figura 4 Cablaggio della morsetteria

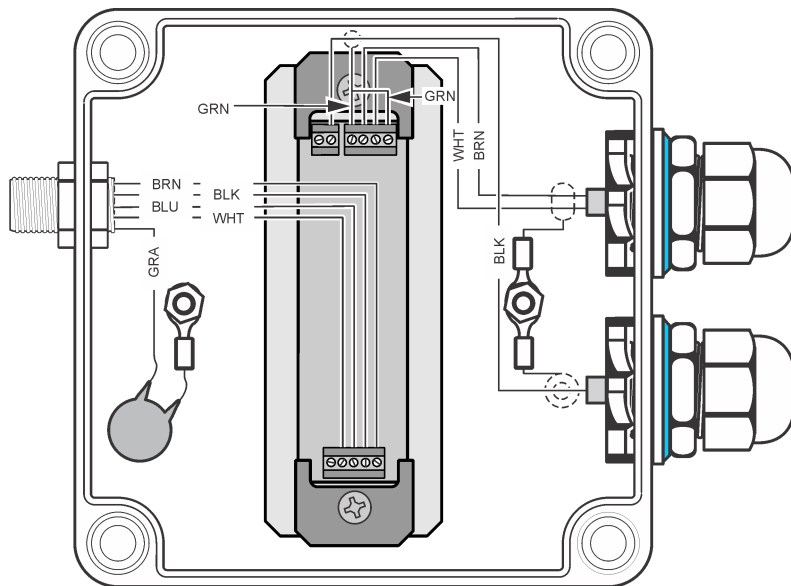


Tabella 1 Descrizioni dei fili

Sonda	Filo	Descrizione
Elettrodo per pH/ORP	Filo rigido nero (centrale)	Misura pH o ORP
Elettrodo per pH/ORP	Schermatura interna rigida in rame verde	Riferimento
Elettrodo per pH/ORP	Schermatura esterna rigida in rame verde	Messa a terra di protezione
Sensore di temperatura	Marrone e bianco	Sensore Pt100

Stoccaggio

Se il sistema deve essere messo fuori servizio per un determinato periodo di tempo, conservare l'elettrodo in una soluzione di stoccaggio.

1. Riempire il tappo di protezione con una soluzione 3 M KCl.
2. Installare il tappo di protezione sul bulbo dell'elettrodo.

Risoluzione dei problemi

Problema	Possibile causa	Soluzione
La calibrazione non è consentita.	L'elettrodo di misurazione o di riferimento è difettoso.	Sostituire l'elettrodo difettoso.
	Problema al cablaggio del controller.	Esaminare il cablaggio dall'elettrodo al controller. Verificare il corretto collegamento dei fili metallici.
	Il controller è difettoso.	Sostituire il controller.
Le letture sono irregolari.	È presente una bolla d'aria nella parte terminale dell'elettrodo.	Regolare la posizione dell'elettrodo in modo che le bolle d'aria non restino intrappolate sotto l'elettrodo.
	L'elettrodo non ha un collegamento a terra adeguato.	Fare riferimento a Collegare la messa a terra di protezione a pagina 50.
	Il bulbo di vetro è difettoso.	Sostituire l'elettrodo.
	È presente un'interferenza da un potenziale elettrico.	Collegare una messa a terra di protezione nella soluzione vicino all'elettrodo. La messa a terra della soluzione è fondamentale in acque a elevato grado di purezza.
	La risposta è lenta.	Il campione è freddo e/o dispone di bassa forza ionica.
La lettura del pH varia in continuazione.	L'elettrodo non è stato preparato a sufficienza.	Immergere l'elettrodo nuovo o asciutto per almeno 10 ore nel campione, quindi calibrare l'elettrodo.

Parti di ricambio e accessori

⚠ AVVERTENZA



Pericolo di lesioni personali. L'uso di parti non approvate può causare lesioni personali, danni alla strumentazione o malfunzionamenti dell'apparecchiatura. La parti di ricambio riportate in questa sezione sono approvate dal produttore.

Nota: numeri di prodotti e articoli possono variare per alcune regioni di vendita. Contattare il distributore appropriato o fare riferimento al sito Web dell'azienda per dati di contatto.

Soluzioni di calibrazione

Descrizione	Quantità	Prodotto n.
Soluzione pH 4, NIST	500 mL	2283449
Soluzione pH 7, NIST	500 mL	2283549
Soluzione pH 10, NIST	500 mL	2283649
Soluzione di riferimento ORP, 200 mV	500 mL	25M2A1001-115
Soluzione di riferimento ORP, 600 mV	500 mL	25M2A1002-115

Parti di ricambio

Descrizione	Articolo n.
Fitting, ¼ diametro esterno, 1/8 NPT, connettore maschio	6178800
Fitting, ¼ diametro esterno, ¼ NPT, passaparete	6178600

Parti di ricambio (continua)

Descrizione	Articolo n.
Flussometro	4598700
Elettrodo ORP	08362=A=2111
Elettrodo pH	08362=A=2000
Cavo elettrodo pH/ORP, 3 m	359016,10110
Cavo Pt100, 3 m	08362=A=3001
Sensore temperatura Pt100	08362=A=1001
Tubo, parte posteriore	6178700
Tubo, parte anteriore	6178900
Connettori per tubi, 1/8-in NPT, 2 ciascuno	08362=A=4000

Accessori

Descrizione	Articolo n.
Cavo di estensione controller, 1 m (3.2 ft)	6122400
Cavo di estensione controller, 7.6 m (25 ft)	57960-00
Cavo di estensione controller, 15.2 m (50 ft)	5796100
Cavo di estensione controller, 30.5 m (100 ft)	57962-00

Inhoudsopgave

[Specificaties](#) op pagina 58

[Algemene informatie](#) op pagina 58

[Installatie](#) op pagina 60

[Sensor kalibreren](#) op pagina 62

[Onderhoud](#) op pagina 65

[Problemen oplossen](#) op pagina 66

[Reserveonderdelen en accessoires](#) op pagina 67

Specificaties

Specificaties kunnen zonder kennisgeving vooraf worden gewijzigd.

Specificatie	Details
Afmetingen (B x D x H)	30,5 x 38,4 x 16,6 cm (12 x 15,1 x 6,5 inch)
Gewicht	3,6 kg (8 lb)
Debiet	100 tot 300 mL/min
Maximale druk	6 bar bij 25 °C (87 psi)
Temperatuursonde	Pt100
Temperatuurbereik	0 tot 80 °C (32 tot 176 °F)
Bedrijfstemperatuur	0 tot 60 °C (32 tot 140 °F)
Bedrijfsvochtigheid	0 tot 100% niet-condenserend
Meetbereik (pH)	2 tot 12 pH bij 0 tot 80 °C (32 tot 176 °F)
Meetbereik (redox)	-1500 tot +1500 mV bij 0 tot 50 °C (32 tot 122 °F)
Nauwkeurigheid	< 0,1 pH of ± 5 mV voor ultrazuiver water
Herhaalbaarheid	0,01 pH/24 uur
Kabellengte	7,7 m (25 ft) geleverd
Certificeringen	CE
Garantie	1 jaar, 2 jaar EU

Algemene informatie

De fabrikant kan onder geen enkele omstandigheid aansprakelijk worden gesteld voor directe, indirecte, speciale, incidentele of continue schade die als gevolg van enig defect of onvolledigheid in deze handleiding is ontstaan. De fabrikant behoudt het recht om op elk moment, zonder verdere melding of verplichtingen, in deze handleiding en de producten die daarin worden beschreven, wijzigingen door te voeren. Gewijzigde versies zijn beschikbaar op de website van de fabrikant.

Veiligheidsinformatie

LET OP

De fabrikant is niet verantwoordelijk voor enige schade door onjuist toepassen of onjuist gebruik van dit product met inbegrip van, zonder beperking, directe, incidentele en gevolgschade, en vrijwaart zich volledig voor dergelijke schade voor zover dit wettelijk is toegestaan. Uitsluitend de gebruiker is verantwoordelijk voor het identificeren van kritische toepassingsrisico's en het installeren van de juiste mechanismen om processen te beschermen bij een mogelijk onjuist functioneren van apparatuur.

Lees deze handleiding voor het uitpakken, installeren of gebruiken van het instrument. Let op alle waarschuwingen. Wanneer u dit niet doet, kan dit leiden tot ernstig persoonlijk letsel of schade aan het instrument.

Controleer voor gebruik of het instrument niet beschadigd is. Het instrument mag op geen andere wijze gebruikt worden dan als in deze handleiding beschreven.

Gebruik van gevareninformatie

▲ GEVAAR

Geeft een potentieel gevaarlijke of dreigende situatie aan die, als deze niet kan worden voorkomen, kan resulteren in dodelijk of ernstig letsel.

▲ WAARSCHUWING

Geeft een potentieel of op handen zijnde gevaarlijke situatie aan, die als deze niet wordt vermeden, kan leiden tot dood of ernstig letsel.

▲ VOORZICHTIG





Geeft een mogelijk gevaarlijke situatie aan die kan resulteren in minder ernstig letsel of lichte verwondingen.

LET OP

Duidt een situatie aan die (indien niet wordt voorkomen) kan resulteren in beschadiging van het apparaat. Informatie die speciaal moet worden benadrukt.

Waarschuwinglabels

Lees alle labels en etiketten die op het instrument zijn bevestigd. Het niet naleven van deze waarschuwingen kan leiden tot letsel of beschadiging van het instrument. Voor elk symbool, is aanvullende informatie te vinden in de handleiding.

	Dit symbool, indien op het instrument aangegeven, verwijst naar de handleiding voor bediening en/of veiligheidsinformatie.
	Elektrische apparatuur met dit symbool mag niet afgevoerd worden in Europese huishoudelijke of openbare afvalsystemen. Stuur oude en/of afgedankte apparaten terug naar de leverancier voor kostenloze afvoer.
	Het onderdeel waarop dit pictogram aangebracht is kan mogelijk heet zijn en dient niet aangeraakt te worden.
	Dit symbool geeft aan dat het instrument op een geaard stopcontact dient te worden aangesloten. Als het instrument zonder aardingsstekker met snoer wordt geleverd, moet het instrument worden geaard op de aansluiting voor de veiligheidsaarddraad.

Productoverzicht

▲ GEVAAR



Explosiegevaar. Het instrument is niet goedgekeurd voor installatie in gevaarlijke locaties.

▲ WAARSCHUWING

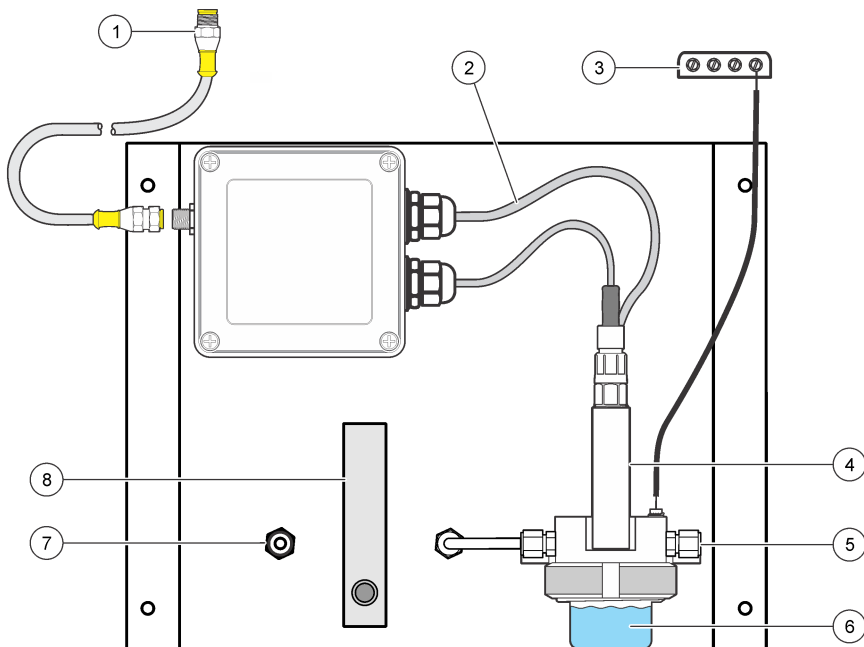


Verbrandingsgevaar. Houd u aan veilige werkprotocollen bij contact met hete monsternamemponenten.

Het 8362 sc paneel voor zeer zuiver water meet continu pH of redox in toepassingen met zeer zuiver water. Het systeem is volledig afgedicht om vervuiling met koolstofdioxide uit de lucht te voorkomen. Sommige ontwerpkenmerken worden gebruikt om te voorzien in online pH/redox-metingen met een

hoge nauwkeurigheid. Het paneel wordt voor bediening op een externe digitale controller aangesloten. Raadpleeg [Afbelding 1](#).

Afbelding 1 Productoverzicht



1 Controllerconnector	5 Invoer monster
2 Temperatuursensor	6 Doorstroomcel
3 Beschermende aarding	7 Afvoerconnector
4 pH- of redox-sensor	8 Debietmeter

Productonderdelen

Het paneel wordt in de fabriek geassembleerd met alle onderdelen bevestigd en alle leidingen aangesloten.

Installatie

⚠ VOORZICHTIG



Diverse gevaren. Alleen bevoegd personeel mag de in dit deel van het document beschreven taken uitvoeren.

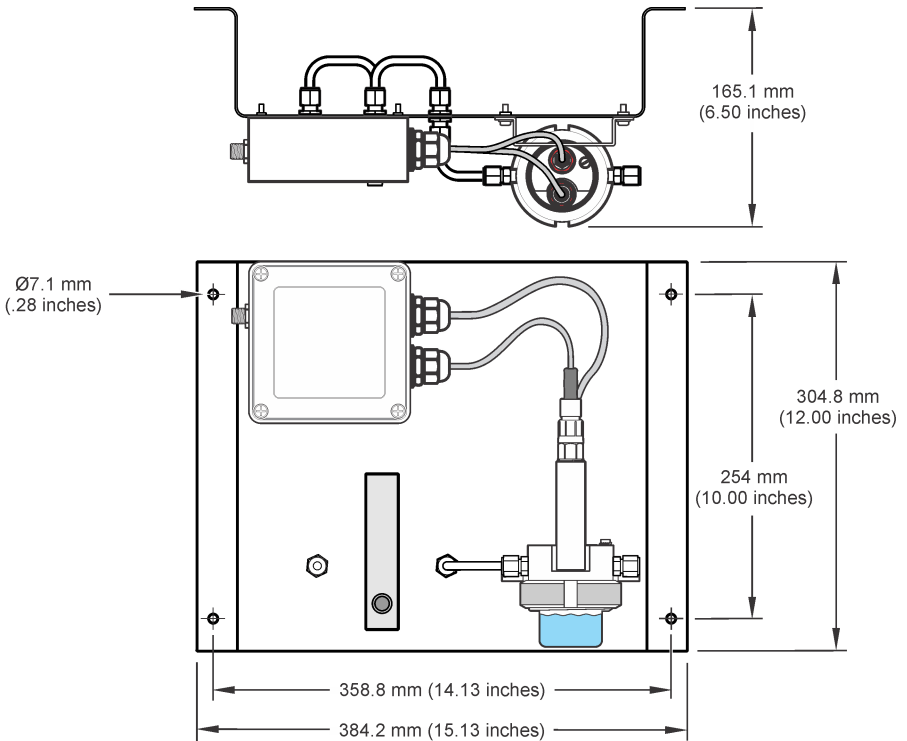
Paneel aan een wand bevestigen

Bevestig het paneel verticaal aan een wand of een oppervlak dat een neerwaartse kracht van minimaal 15 kg (32 lb) kan weerstaan. Kies een locatie van waar de debietmeter en verdeeldoos toegankelijk zijn. Raadpleeg [Afbelding 2](#).

Meegeleverde hardware:

- Vier bouten, 10 × 40 mm (7/16 × 1,5 in.)

Afbeelding 2 Installatieafmetingen



Monster- en afvoerleidingen aansluiten

Als het paneel op een wand is bevestigd, sluit u de monster- en afvoerleidingen aan op de fittingen aan de voorzijde van het paneel.

1. Sluit de monsterleiding aan op de fitting van de OD-leiding van 1/4 inch.
2. Sluit een afvoerleiding aan op de fitting van de OD-leiding van 1/4 inch. Houd de afvoerleiding zo kort mogelijk om tegendruk te voorkomen.

Installeer de afvoerleiding niet opnieuw op de hoofdmonsterstroom.

Aansluiten op de controller

Het paneel wordt voor bediening op een externe controller aangesloten. Sluit de kabel van de controller aan op de snelkoppeling van de verdeeldoos.

Beschermende aarding aansluiten

Sluit de aardingskabel van de doorstroomkamer aan op een beschermende aarding om elektrische risicó tot een minimum te beperken. De bron van de beschermende aarding moet hetzelfde zijn voor de controller en het paneel.

Sensor voorbereiden

De sensor moet voor gebruik minimaal 10 uur in het proceswater worden geweekt. Na de voorbereiding moet de sensor worden gekalibreerd.

1. Verwijder de doorstroomcel. Raadpleeg [Afbeelding 3](#) op pagina 63.
2. Verwijder de beschermkap van de sensor. Bewaar de beschermkap voor gebruik tijdens langdurige opslag. Raadpleeg [Opslag](#) op pagina 66.
3. Spoel de sensor met demi-water, een pH-buffer (voor pH-sensors) of een redox-standaardoplossing (voor redox-sensors).
4. Plaats de doorstroomcel.

Debiet instellen

Houd het debiet op 100-300 mL/min bij een maximale druk van 4 bar (58 psi). Laat de doorstroomcel niet leegraken.

1. Open het ventiel van de monsterleiding om het monster door het paneel te laten stromen.
2. Draai aan de knop op de debietmeter om het debiet in te stellen tussen 100-300 mL/min.
3. Controleer op bellen in de doorstroomcel. Pas de stroom aan om de bellen te verwijderen.

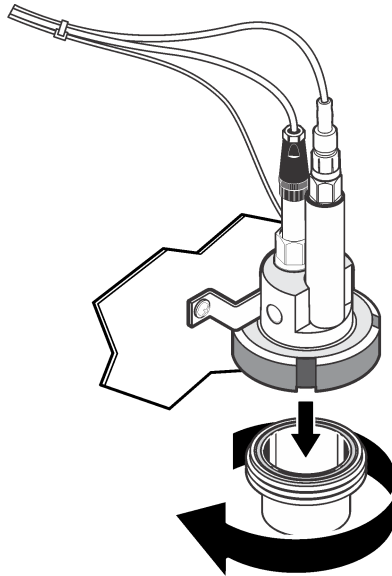
Sensor kalibreren

Voorwaarde: laat de sensor minimaal 10 uur in het proceswater weken.

Gebruik de 2-punskalibratie met een bufferoplossing van pH 7 en een van pH 4 voor de beste resultaten.

1. Onderbreek de monsterstroom.
2. Verwijder de doorstroomcel. Raadpleeg [Afbeelding 3](#).
3. Spoel de doorstroomcel en sensor met demi-water.
4. Vul de doorstroomcel met een buffer met pH 7.
5. Plaats de doorstroomcel met de buffer met pH 7.
6. Gebruik de controller om de sensor te kalibreren. Raadpleeg [pH-kalibratieprocedure](#) op pagina 63.
7. Wanneer de kalibratie is voltooid, verwijdert u de doorstroomcel en reinigt u deze met demi-water. Plaats de doorstroomcel.
8. Open het ventiel van de monsterleiding en pas het debiet aan. Raadpleeg [Debiet instellen](#) op pagina 62.
9. Laat het monster minimaal 1 uur door het paneel stromen voordat u een vergelijking maakt met een ander instrument.

Afbeelding 3 Doorstroomcel verwijderen



pH-kalibratieprocedure

Sensoren kunnen worden gekalibreerd met 1 of 2 buffers (1-punts of 2-punts kalibratie). Standaard buffers worden automatisch herkend. Zorg dat de juiste bufferinstelling wordt gebruikt (zie [Het wijzigen van de kalibratie-opties](#) op pagina 65).

1. Plaats de sensor in de eerste buffer.
2. Wacht tot de temperatuur van de sensor en de oplossing aan elkaar gelijk zijn. Dit kan wel 30 minuten duren als het temperatuurverschil tussen het proces en de buffer groot is.
3. Druk op de toets **MENU** en selecteer Sensor Setup (Sensorsetup), [sensor selecteren], Calibrate (Kalibreren).
4. Selecteer het kalibratietype:

Optie	Omschrijving
2 punt buffer	Gebruik 2 buffers voor kalibratie, bijvoorbeeld pH 7 en pH 4 (deze methode wordt aanbevolen). De buffers moeten afkomstig zijn van de bufferset genoemd in het Cal Options menu (zie Het wijzigen van de kalibratie-opties op pagina 65).
1 punt buffer	Gebruik een 1-punts buffer voor kalibratie, bijv. pH 7. De buffer moet afkomstig zijn van de bufferverzameling die in het menu Cal Options gespecificeerd is.
2 punt monster	Gebruik twee monsters of buffers van bekende pH-waarde voor kalibratie. Bepaal de pH-waarde van monsters met een ander instrument.
1 punt monster	Gebruik 1 monster of buffer voor kalibratie. Bepaal de pH-waarde van monsters met een ander instrument.

5. Wanneer er in het menu Security een wachtwoord voor de controller is geactiveerd, dient u het wachtwoord in te voeren.

6. Selecteer de optie voor het uitgangssignaal tijdens de kalibratie:

Optie	Omschrijving
Actief	Het instrument verzendt de actuele uitgangsmetwaarde tijdens de kalibratieprocedure.
Hold	De sensoruitgangswaarde wordt vastgezet op de actuele meetwaarde tijdens de kalibratieprocedure.
Overzenden	Een voorinstelde uitgangswaarde wordt tijdens de kalibratie verzonden. Raadpleeg de gebruikershandleiding van de controller om de vooraf ingestelde waarde te wijzigen.

7. Druk met de sensor in de eerste buffer op **ENTER**.

De gemeten waarde wordt weergegeven.

8. Wacht totdat de waarde stabiel is en druk dan op **ENTER**.

Opmerking: Het scherm kan automatisch naar de volgende stap vooruitgaan.

9. Meet de pH-waarde met een tweede verificatie-instrument als de buffer een monster is. Voer de gemeten waarde in met behulp van de pijltoetsen en druk op **ENTER**.

Opmerking: Bij gebruik van een niet het Cal Options menu genoemde buffer neemt u de buffer in de fles voor de bepaling van de pH-waarde die overeenkomt met de temperatuur van de buffer.

10. Meet voor een 2-punts-kalibratie de tweede buffer (of monster):

a. Haal de sensor uit de eerste vloeistof en spoel de sensor af met schoon water.

b. Plaats de sensor in de volgende buffer en druk op **ENTER**.

c. Wacht totdat de waarde stabiel is. Druk op **ENTER**.

Opmerking: Het scherm kan automatisch naar de volgende stap vooruitgaan.

d. Meet de pH-waarde met een tweede verificatie-instrument als de buffer een monster is. Gebruik de pijltjes-toets voor het invoeren van de gemeten waarde en druk op **ENTER**.

11. Bekijk het kalibratieresultaat:

- Geslaagd—de sensor is gekalibreerd en gereed voor het meten van monsters. De helling en/of offsetwaarden worden weergegeven.
- Mislukt—de kalibratiehelling of -offset bevindt zich buiten de toegestane limieten. Herhaal de kalibratie met verse buffer.

12. Als de kalibratie voltooid is, drukt u op **ENTER** om verder te gaan.

13. Wanneer de optie Operator ID in het menu Calibration Options op Ja is ingesteld, dient u een gebruikers-ID in te voeren. Raadpleeg [Het wijzigen van de kalibratie-opties](#) op pagina 65.

14. Selecteer of de sensor nieuw is:

Optie	Omschrijving
Ja	De sensor is niet eerder met deze controller gekalibreerd. De bedrijfsdagen en eerder gemaakte kalibratiegrafieken voor de sensor worden gereset.
Nee	De sensor is eerder met deze controller gekalibreerd.

15. Laat de sensor het proces weer voorzetten en druk op **ENTER**.

Het uitgangssignaal keert terug naar de actieve toestand en meetwaarde van het monster wordt weergegeven op het meetscherm.

Opmerking: Als de uitgangsmodus op hold of verzenden is ingesteld, selecteer dan de vertragingstijd wanneer de uitgangssignalen weer actief worden.

Het wijzigen van de kalibratie-opties

De gebruiker kan een herinnering instellen of een gebruikers-id opnemen met kalibratiegegevens vanuit het CAL OPTIONS (KAL OPTIES)-menu.

1. Druk op de toets **MENU** en selecteer Sensor Setup (Sensorsetup), [sensor selecteren], Calibrate (Kalibreren), Kal Opties.
2. Gebruik de pijltoetsen om een optie te selecteren en druk op **ENTER**.

Optie	Omschrijving
BUFFER SELECTEREN	Alleen voor pH-sensoren—wijzigt de verzameling van buffers die herkend zijn voor kalibratie tot pH 4.00, 7.00, 10.00 (standaardinstelling) of DIN 19267 (pH 1.09, 4.65, 6.79, 9.23, 12.75) Opmerking: <i>Andere buffers kunnen worden gebruikt als de 1 punts of 2 punts monsteroptie tijdens de calibratie wordt geselecteerd.</i>
KALIBRATIE- REMINDER	Dit stelt een herinnering in voor de volgende kalibratie in dagen, maanden of jaren—Uit (standaard), 1 dag, 7, 30, 60, of 90 dagen, 6 of 9 maanden, 1 of 2 jaar
OP ID op KAL	Omvat tevens een operator-ID met kalibratie-gegevens - Yes (Ja) of No (Nee, nee is als standaard ingesteld). De ID wordt standaard tijdens de kalibratie ingevoerd.

Onderhoud

VOORZICHTIG



Diverse gevaren. Alleen bevoegd personeel mag de in dit deel van het document beschreven taken uitvoeren.

Reiniging van het apparaat

Reinig de buitenzijde van het instrument met een vochtige doek en een milde zeepoplossing en veeg het instrument vervolgens, indien nodig, droog.

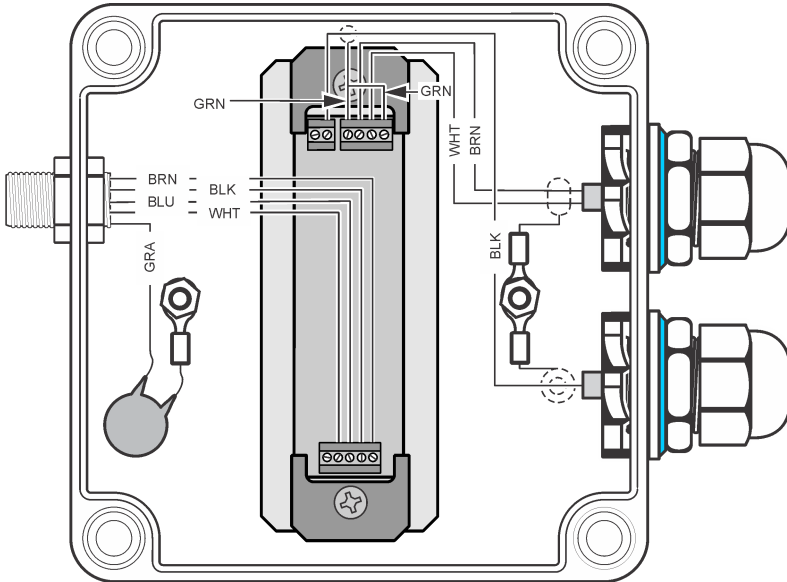
Sensor reinigen

Reinig de sensor elke maand voorzichtig met een zachte, niet-schurende doek.

Een sensor vervangen

Raadpleeg [Afbeelding 4](#) en [Tabel 1](#) voor het vervangen van een sensor of temperatuursensor.

Afbeelding 4 Bedrading verdeeldoos



Tabel 1 Beschrijving draden

Sonde	Draad	Beschrijving
pH/redox-sensor) draad	Meet pH of redox
pH/redox-sensor	Groen-koperen interne afscherming	Referentie
pH/redox-sensor	Groen-koperen externe afscherming	Beschermende aarding
Temperatuursensor	Bruin en wit	Pt100-sensor

Opslag

Als het systeem gedurende een lange periode niet wordt gebruikt, moet de sensor in een bewaarvloeistof worden bewaard.

1. Vul de beschermkap met 3 M KCl.
2. Plaats de beschermkap over de sensor.

Problemen oplossen

Probleem	Mogelijke oorzaak	Oplossing
De kalibratie is niet geaccepteerd.	De meet- of referentiesensor is defect.	Vervang de defecte sensor.
	Er is een probleem met de bedrading naar de controller.	Controleer de bedrading tussen de sensor en de controller. Zorg dat er een goede verbinding is tussen de metalen draden.
	De controller is defect.	Vervang de controller.

Probleem	Mogelijke oorzaak	Oplossing
De meetwaarden zijn onregelmatig.	Er zit een luchtbel vast aan het einde van de sensor.	Pas de positie van de sensor aan zodat luchtballen niet vast komen te zitten onder de sensor.
	De sensor beschikt niet over een goede aardingsverbinding.	Raadpleeg Beschermdende aarding aansluiten op pagina 61.
	De glazen bol van de elektrode is defect.	Vervang de sensor.
	Er is sprake van een storing in het stromingspotentiaal.	Sluit de oplossing in de buurt van de sensor aan op een beschermende aarding. Een aarding voor de oplossing is uitermate belangrijk bij zeer zuiver water.
De respons is langzaam.	Het monster is koud en/of heeft een lage ionsterkte.	Verhoog de temperatuur van het monster.
De pH-metwaarde verandert voortdurend.	De sensor was niet voldoende voorbereid.	Laat een nieuwe of droge sensor minimaal 10 uur in het procesmonster weken en kalibreer de sensor opnieuw.

Reserveonderdelen en accessoires

▲ WAARSCHUWING



Gevaar voor letsel. Het gebruik van niet-goedgekeurde onderdelen kan leiden tot letsel, beschadiging van het instrument of onjuiste werking van apparatuur. De reserveonderdelen in dit hoofdstuk zijn goedgekeurd door de fabrikant.

Opmerking: Product- en artikelnummers kunnen verschillen per regio. Neem contact op met de desbetreffende distributeur of bezoek de website voor contactgegevens.

Kalibratieoplossingen

Beschrijving	Hoeveelheid	Artikelnr.
pH buffer pH 4, NIST	500 mL	2283449
pH buffer pH 7, NIST	500 mL	2283549
pH buffer pH 10, NIST	500 mL	2283649
Redox-referentieoplossing, 200 mV	500 ml	25M2A1001-115
Redox-referentieoplossing, 600 mV	500 ml	25M2A1002-115

Reservedelen

Beschrijving	Artikelnr.
Fitting, ¼ OD, 1/8 NPT, male connector	6178800
Fitting, ¼ OD, ¼ NPT, bulkhead union	6178600
Debietmeter	4598700
Redox sensor	08362=A=2111
pH-sensor	08362=A=2000
Kabel pH-/redox-sensor, 3 m	359016,10110
Pt100-kabel, 3 m	08362=A=3001
Pt100-temperatuursensor	08362=A=1001

Reservedelen (vervolg)

Beschrijving	Artikelnr.
Slang, terug	6178700
Slang, voor	6178900
Slangconnectors, 1/8 inch NPT, 2 elk	08362=A=4000

Accessoires

Beschrijving	Artikelnr.
Verlengkabel controller, 1 m (3,2 ft)	6122400
Verlengkabel controller, 7,6 m (25 ft)	57960-00
Verlengkabel controller, 15,2 m (50 ft)	5796100
Verlengkabel controller, 30,5 m (100 ft)	57962-00

Indholdsfortegnelse

Specifikationer på side 69

Generelle oplysninger på side 69

Installation på side 71

Kalibrere elektroden på side 73

Vedligeholdelse på side 76

Fejlsøgning på side 77

Reserve dele og tilbehør på side 78

Specifikationer

Specifikationerne kan ændres uden varsel.

Specifikation	Detaljer
Dimensioner (B x D x H)	30.5 x 38.4 x 16.6 cm (12 x 15.1 x 6.5")
Vægt	3.6 kg (8 lb)
Flow-hastighed	100 til 300 ml/min
Maksimalt tryk	6 bar ved 25 °C (87 psi)
Temperaturprobe	Pt100
Temperaturområde	0 til 80 °C (32 til 176 °F)
Driftstemperatur	0 til 60 °C (32 til 140 °F)
Luftfugtighed, drift	0 til 100% ikke-kondensering
Måleområde (pH)	2 til 12 pH ved 0 til 80 °C (32 til 176 °F)
Måleområde (redox)	-1500 til +1500 mV ved 0 til 50 °C (32 til 122 °F)
Nøjagtighed	< 0.1 pH eller ± 5 mV for ultra rent vand
Repeterbarhed	0,01 pH/24 timer
Kabellængde	7,7 m (25 fod) medfølger
Certificeringer	CE
Garanti	1 år; 2 år EU

Generelle oplysninger

Producenten kan under ingen omstændigheder holdes ansvarlig for direkte, indirekte, specielle, hændelige eller følgeskader der opstår på baggrund af en defekt eller udeladelse i denne vejledning. Producenten forbeholder sig ret til når som helst at foretage ændringer i denne manual og de beskrevne produkter uden varsel eller forpligtelser. Reviderede udgaver kan findes på producentens webside.

Oplysninger vedr. sikkerhed

BEMÆRKNING

Producenten er ikke ansvarlig for eventuelle skader på grund af forkert anvendelse eller misbrug af dette produkt, herunder uden begrænsning direkte skader, hændelige skader eller følgeskader, og fraskriver sig ansvaret for sådanne skader i det fulde omfang, som tillades ifølge gældende lov. Kun brugeren er ansvarlig for at identificere alvorlige risici ved anvendelsen og installere relevante mekanismer til beskyttelse af processerne i forbindelse med en eventuel fejl på udstyret.

Læs hele manualen, inden udpakning, installation eller betjening af dette udstyr. Overhold alle farehensvisninger og advarsler. Undladelse heraf kan medføre, at brugeren kommer alvorligt til skade eller beskadigelse af apparatet.

Kontroller, at den beskyttelse, som dette udstyr giver, ikke forringes. Du må ikke bruge eller installere dette udstyr på nogen anden måde end den, der er angivet i denne manual.

Brug af sikkerhedsoplysninger

▲ FARE

Angiver en eventuel eller overhængende farlig situation, der vil medføre dødsfald eller alvorlige kvæstelser, hvis den ikke undgås.

▲ ADVARSEL

Angiver en potentiel eller umiddelbart farlig situation, som kan resultere i død eller alvorlig tilskadekomst, hvis den ikke undgås.

▲ FORSIGTIG





Indikerer en potentiel farlig situation, der kan resultere i mindre eller moderat tilskadekomst.

BEMÆRKNING

Angiver en situation, der kan medføre skade på instrumentet, hvis ikke den undgås. Oplysninger, der er særligt vigtige.

Sikkerhedsmærkater

Læs alle skilte og mærkater, som er placeret på apparatet. Der kan opstå person- eller instrumentskade, hvis forholdsreglerne ikke respekteres. Hvis der er placeret et symbol på apparatet, kan det findes i brugermanualen sammen med fare- eller forsigtighedsanvisningerne.

	Hvis dette symbol findes på instrumentet, henviser det til instruktionsmanualen vedrørende drifts- og/eller sikkerhedsoplysninger.
	Elektrisk udstyr, der er mærket med dette symbol, må ikke bortskaffes i husholdnings eller offentlige europæiske affaldssystemer. Send gammelt eller udtjent udstyr til producenten for bortskaffelse på producentens regning.
	Dette symbol angiver, at den afmærkede del kan være varm og skal berøres med forsigtighed.
	Dette symbol angiver, at der kræves en beskyttende jordforbindelse til det markerede element. Hvis instrumentet ikke er udstyret med et jordstik på en ledning, skal der laves en beskyttende jordforbindelse til beskyttelseslederterminalen

Produktoversigt

▲ FARE



Eksplosionsfare. Instrumentet er ikke godkendt til installation på farlige lokaliteter.

▲ ADVARSEL

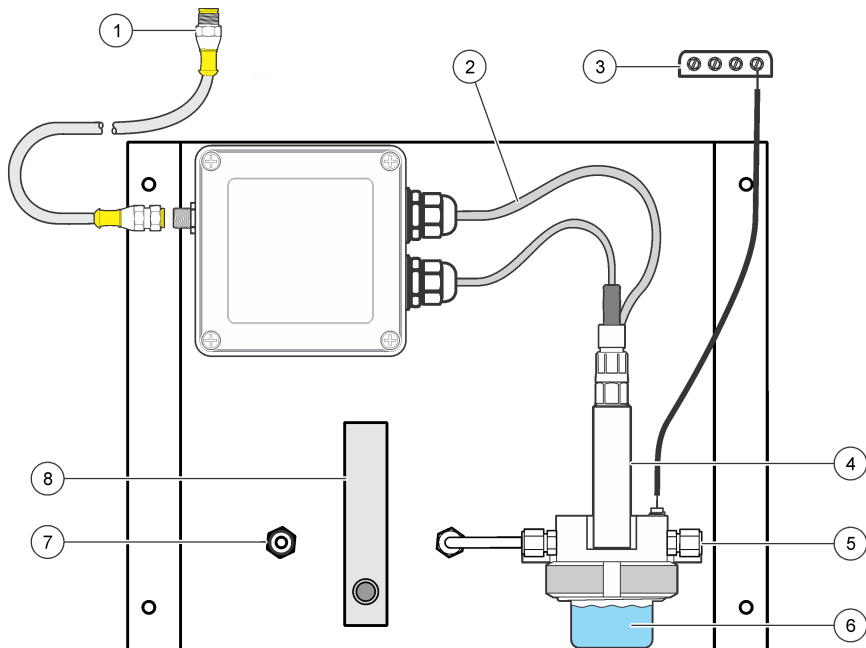


Brandsårsfare. Overhold forskrifterne for sikker håndtering ved kontakt med varme prøvekomponenter.

8362 sc panel til vand af høj renhed måler kontinuerligt pH eller redox i anvendelser med rent vand. Systemet er fuldstændig forsejlet for at forhindre kontaminering fra atmosfærisk karbondioxid. Flere

designfunktioner bruges til at levere online pH/redox målinger med en høj grad af nøjagtighed. Panelet tilsluttes til en ekstern digital controller til drift. Se [Figur 1](#).

Figur 1 Produktoversigt



1 Controller forbindelsesstykke	5 Prøve indløb
2 Temperatursensor	6 Flowkammer
3 Beskyttende jordstik	7 Dræn forbindelsesstykke
4 pH eller redox-elektrode	8 Flowmåler

Produktkomponenter

Panel er samlet på fabrikken med alle komponenterne fastgjort og loddet.

Installation

▲ FORSIGTIG



Flere risici. Kun kvalificeret personale må udføre de opgaver, som er beskrevet i dette afsnit i dokumentet.

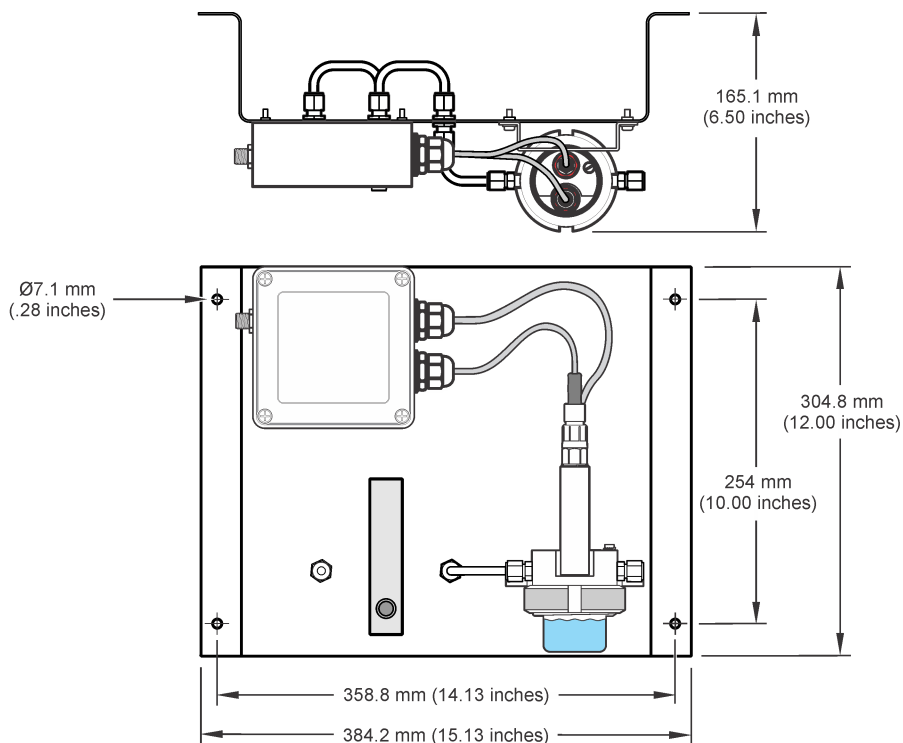
Fastgør panelet på en væg

Fastgør panelet lodret på en væg eller en struktur, som kan bære en nedadrettet kraft på mindst 15 kg. Vælg en placering, hvor flow måleren og tilslutningsdåsen er tilgængelige. Se [Figur 2](#).

Hardware, som skaffes af brugeren:

- Fire bolte, 10 × 40 mm (7/16 × 1,5")

Figur 2 Installationsdimensioner



Rørføring af prøve- og drænledningerne

Når panelet er fastgjort til en væg, skal du tilslutte prøve- og drænledningerne til beslagene på panelets forside.

1. Tilslut prøveledningen indløbet 1/4". Ydre diameter rørbeslag.
2. Tilslut en drænledning til drænet 1/4". Ydre diameter beslag. Hold drænledningen så kort som muligt for at forhindre modtryk.

Installer ikke drænledningen tilbage i hovedprøvestrømmen.

Tilslutning til controlleren

Panelet tilsluttes til en ekstern controller for drift. Tilslut kablet fra controlleren til beslaget til hurtig tilslutning på tilslutningsdåsen.

Tilslut jordforbindelsen

Tilslut jordlederen på flowkammeret til et beskyttende jordstik for at holde elektrisk støj på et minimum. Controlleren og panelet skal bruge den samme kilde til det beskyttende jordstik.

Klargøre elektroden

Elektroden skal lægges i blød i procesvand i mindst 10 timer før brug. Sørg for at kalibrere elektroden efter klargøring.

1. Fjern flowkammeret. Se [Figur 3](#) på side 74.
2. Fjern beskyttelseshætten fra elektroden. Gem beskyttelseshætten til brug under langvarig opbevaring. Se [Opbevaring](#) på side 77.
3. Skyl elektrodepæren med deioniseret vand, pH-buffer (til pH-elektroder) eller redox-standardopløsning (til redox-elektroder).
4. Installer flowkammeret.

Indstil gennemløbshastighed

Hold gennemløbshastigheden mellem 100–300 mL/min ved et maksimalt tryk på 4 bar (58 psi). Lad ikke flowkammeret blive tomt.

1. Åbn ventilerne på prøveledningen for at lade prøven løbe igennem panelet.
2. Drej knappen på flowmåleren for at indstille gennemløbshastigheden til mellem 100–300 mL/min.
3. Hold øje med bobler i flowkammeret. Juster gennemløbet for at fjerne boblerne.

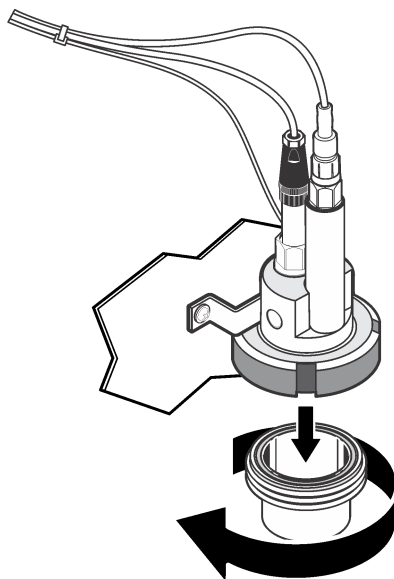
Kalibrere elektroden

Forudsætning : Læg elektroden i blød i procesvandet i mindst 10 timer.

Brug 2-punkts kalibreringsmetoden med en bufferopløsning på pH 7 og pH 4 for at få de bedste resultater.

1. Stop prøveflowet.
2. Fjern flowkammeret Se [Figur 3](#).
3. Skyl flowkammeret og elektroden med deioniseret vand.
4. Fyld flowkammeret med pH 7 buffer.
5. Installer flowkammeret med pH 7 buffer.
6. Brug controlleren til at kalibrere elektroden. Se [pH-kalibreringsprocedure](#) på side 74.
7. Når kalibreringen er fuldført, skal du fjerne og skylle flowkammeret med deioniseret vand. Installer flowkammeret.
8. Åbn ventilen på prøveslangen, og juster gennemløbshastigheden. Se [Indstil gennemløbshastighed](#) på side 73.
9. Lad prøven flyde igennem panelet i mindst 1 time før sammenligning med et andet instrument.

Figur 3 Fjern flowkammeret



pH-kalibreringsprocedure

Sensorer kan kalibreres med 1 eller 2 referenceopløsninger (1-punkts- eller 2-punkts-kalibrering). Standardbufferne genkendes automatisk. Kontrollér, at det korrekte buffersæt bruges (se [Ændre kalibreringsfunktioner](#) på side 76).

1. Kom sensoren ned i den første referenceopløsning.
2. Vent på, at sensorens og opløsningens temperatur udlignes. Dette kan tage 30 minutter eller mere, hvis temperaturforskellen mellem processen og referenceopløsningen er væsentlig.
3. Tryk på tasten **MENU** og vælg Sensor Setup (Opsætning af sensor), [Select Sensor] [Vælg sensor], Calibrate (Kalibrér).
4. Vælg kalibreringstype

Funktion	Beskrivelse
2-punktsbuffer	Brug 2 buffere til kalibrering, f.eks. pH 7 og pH 4 (anbefalet metode). Bufferne skal være fra det buffersæt, der specificeres i menuen Cal Options (Kal.-funktioner) (se Ændre kalibreringsfunktioner på side 76).
1-punktsbuffer	Brug 1 buffer til kalibrering, f.eks. pH 7. Bufferen skal være fra det buffersæt, der er specificeret i menuen Cal Options (Kal.-funktioner).
2-punktsprøve	Brug 2 prøver eller buffere af kendt pH-værdi til kalibrering. Bestem pH-værdien af prøver med et andet instrument.
1-punktsprøve	Brug 1 prøve eller buffer til kalibrering. Bestem pH-værdien af prøver med et andet instrument.

5. Indtast adgangskoden, hvis den er aktiveret i controllerens sikkerhedsmenu.
6. Vælg indstillingen for udgangssignal under kalibrering:

Funktion	Beskrivelse
Aktiv	Instrumentet sender den aktuelt målte udgangsværdi under kalibreringsprocessen.

Funktion	Beskrivelse
----------	-------------

Hold	Sensorens udgangsværdi fastholdes på den aktuelt målte værdi i løbet af kalibreringsprocessen.
-------------	--

Overfør	Der sendes en forudindstillet værdi under kalibrering. Se brugerhåndbogen til kontrolenheden for at ændre den forudindstillede værdi.
----------------	---

7. Tryk på **ENTER** med sensoren i den første referenceopløsning.
Den målte værdi vises.

8. Vent på, at værdien stabiliseres, og tryk på **ENTER** .

BEMÆRK: *Skærbilledet fortsætter måske automatisk til det næste trin.*

9. Hvis referenceopløsningen er en prøve, skal pH-værdien måles med et sekundært verifikationsinstrument. Brug piletasterne til at indtaste den målte værdi, og tryk på **ENTER**.

BEMÆRK: *Hvis der bruges en pH-buffer, der ikke er anført i menuen Cal Options (Kal.-funktioner), skal man se bufferflasken for at finde den pH-værdi, der stemmer overens med bufferens temperatur.*

10. For en 2-punktskalibrering skal man måle den anden referenceopløsning (eller prøve):

a. Fjern sensoren fra den første opløsning og skyl med rent vand.

b. Kom sensoren ned i den næste referenceopløsning og tryk på **ENTER**.

c. Vent på, at værdien stabiliseres. Tryk på **ENTER**.

BEMÆRK: *Skærbilledet fortsætter måske automatisk til det næste trin.*

d. Hvis referenceopløsningen er en prøve, skal pH-værdien måles med et sekundært verifikationsinstrument. Brug piletasterne til at indtaste den målte værdi, og tryk på **ENTER**.

11. Gemme kalibreringsresultatet:

- Udført—sensoren er kalibreret og klar til at måle prøver. Hældnings- og/eller offset-værdier vises.

- Mislykket—kalibreringshældningen eller -offsetet ligger uden for de godkendte grænser. Nulstil kalibreringen med friske referenceopløsninger.

12. Tryk på **ENTER** for at fortsætte, hvis kalibreringen blev udført.

13. Hvis funktionen for bruger-id er indstillet til Yes (Ja) i menuen Calibration Options (Kalibreringsfunktioner), skal der indtastes et bruger-id. Se [Ændre kalibreringsfunktioner](#) på side 76.

14. På skærbilledet New Sensor (Ny sensor) skal man vælge, om sensoren er ny:

Funktion	Beskrivelse
----------	-------------

Ja	Sensoren har ikke tidligere været kalibreret med denne controller. Driftsdage og tidligere kalibreringskurver for sensoren nulstilles.
-----------	--

Nej	Sensoren har tidligere været kalibreret med denne controller.
------------	---

15. Returnér sensoren til processen og tryk på **ENTER**.

Udgangssignalet vender tilbage til aktiv tilstand, og den målte prøveværdi vises på måleskærbilledet.

BEMÆRK: *Hvis udgangsmodusen er indstillet på pause eller til at overføre, skal man vælge forsinkelsestiden, når udgangene vender tilbage til den aktive tilstand.*

Ændre kalibreringsfunktioner

Brugeren kan indstille en påmindelse eller inkludere med et operatør-id med kalibreringsdata fra menuen CAL OPTIONS (Kalibreringsfunktioner).

1. Tryk på tasten **MENU** og vælg Sensor Setup (Opsætning af sensor), [Select Sensor] [Vælg sensor], Calibrate (Kalibrér), Cal Options (Kalibreringsfunktioner).
2. Brug piletasterne til at vælge en funktion og tryk på **ENTER**.

Funktion	Beskrivelse
SELECT BUFFER (VÆLG BUFFER)	Kun for pH-sensorer—ændrer sættet af bufferopløsninger, som identificeres til kalibrering til pH 4,00, 7,00, 10,00 (standardsæt) eller DIN 19267 (pH 1,09, 4,65, 6,79, 9,23, 12,75) BEMÆRK: Andre buffere kan bruges, hvis 1-punktsprøve- eller 2-punktsprøvefunktion vælges under kalibrering.
KAL PÅMINDELSE	Indstiller en påmindelse for den næste kalibrering i dage, måneder eller år—Off (Slukket) (standard), 1 dag, 7, 30, 60 eller 90 dage, 6 eller 9 måneder, 1 eller 2 år
OP-ID på KAL	Indkluderer et operatør-id med kalibreringsdata—Ja eller Nej (standard). Id'et indtastes under kalibreringen.

Vedligeholdelse

▲ FORSIGTIG



Flere risici. Kun kvalificeret personale må udføre de opgaver, som er beskrevet i dette afsnit i dokumentet.

Rengør instrumentet

Rengør instrumentet udvendigt med en fugtig klud og en mild sæbeopløsning, og tør derefter instrumentet efter behov.

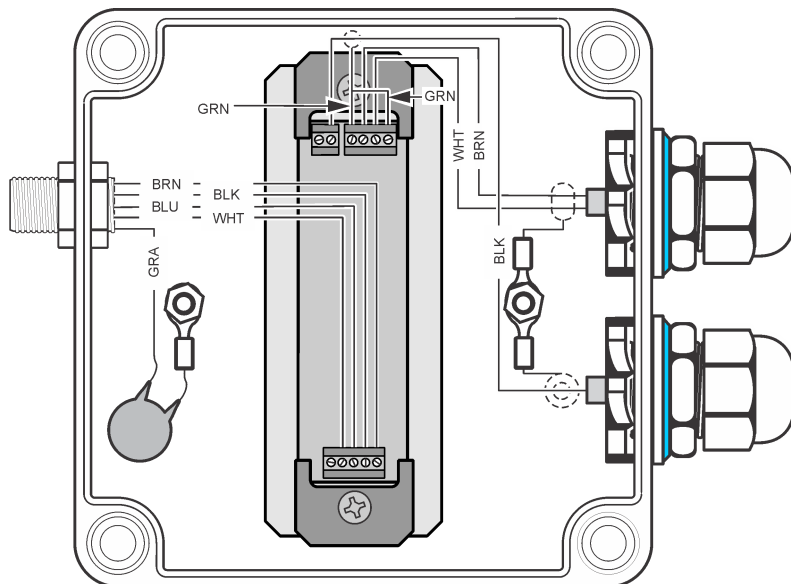
Rengør elektroden

Rengør elektroden omhyggeligt en gang om måneden med en blød klud, som ikke ridser.

Udskifte en probe

Hvis du skal udskifte en elektrode, eller temperatursensor, henvises til [Figur 4](#) og [Tabel 1](#).

Figur 4 Ledningsføring til tilslutningsdåse



Tabel 1 Ledningsbeskrivelse

Probe	Ledning	Beskrivelse
pH/redox elektrode	Sort stiv ledning (center)	Måler pH eller redox
pH/redox elektrode	Intern afskærmning i grøn kobber	Reference
pH/redox elektrode	Ekstern afskærmning i grøn kobber	Beskyttende jordstik
Temperatursensor	Brun og hvid	Pt100 sensor

Opbevaring

Hvis systemet skal tages ud af drift i en periode, skal elektroden opbevares i en lageropløsning.

1. Fyld beskyttelseshætten med 3 M KCl.
2. Installer beskyttelseshætten over elektrodepæren.

Fejlsøgning

Problem	Mulig årsag	Løsning
Kalibreringen er ikke accepteret.	Måle- eller referenceelektroden er defekt.	Udskift den defekte elektrode.
	Der er et problem med ledningsføringen fra elektroden til controlleren.	Undersøg ledningsføringen fra elektroden til controlleren. Sørg for, at der er god forbindelse til metalledningerne.
	Controlleren defekt.	Udskift controlleren.

Problem	Mulig årsag	Løsning
Aflæsningerne er uensartede.	Der er fanget en luftboble i enden af elektroden.	Juster elektrodens position, så luftboblerne ikke bliver fanget under elektroden.
	Elektroden har ikke god jordforbindelse.	Se Tilslut jordforbindelsen på side 72.
	Glaspæren er defekt.	Udskift elektroden.
	Der er interferens fra et streamingpotentiale.	Tilslut et beskyttende jordstik til opløsningen i nærheden af elektroden. En opløsningsjordforbindelse er meget vigtig i vand af høj renhed.
Responsen er langsom.	Prøven er kold og/eller har lav ionisk styrke.	Øg prøvens temperatur.
pH-aflæsningen skifter kontinuerligt.	Elektroden var ikke tilstrækkeligt klargjort.	Læg en ny eller tør elektrode i blød i mindst 10 timer i procesprøven, og kalibrer derefter elektroden.

Reserve dele og tilbehør

▲ ADVARSEL



Fare for personskade. Anvendelse af ikke-godkendte dele kan medføre personskade, beskadigelse af instrumentet eller fejlfunktion af udstyret. Reservedelene i dette afsnit er godkendt af producenten.

BEMÆRK: Produkt- og varenumre kan variere i visse salgsregioner. Kontakt den relevante distributør, eller se virksomhedens webside for kontaktinformation.

Kalibreringsløsninger

Beskrivelse	Mængde	Varenr.
4 pH opløsning, NIST	500 mL	2283449
7 pH opløsning, NIST	500 mL	2283549
10 pH opløsning, NIST	500 mL	2283649
Redox referenceopløsning, 200 mV	500 mL	25M2A1001-115
Redox referenceopløsning, 600 mV	500 mL	25M2A1002-115

Reserve dele

Beskrivelse	Varenr.
Forbindelsesstykke, ¼ ydre diameter, 1/8 NPT, hanstik	6178800
Forbindelsesstykke, ¼ ydre diameter, ¼ NPT, isoleringsskodsamling	6178600
Flowmåler	4598700
Redox-elektrode	08362=A=2111
pH elektrode	08362=A=2000
pH/redox elektrokabel, 3 m	359016,10110
Pt100 kabel, 3 m	08362=A=3001
Pt100 temperatursensor	08362=A=1001
Rør, back	6178700

Reserve dele (fortsat)

Beskrivelse	Varenr.
Rør, front	6178900
Rørforbindelsesstykker, 1/8" NPT, 2 hver	08362=A=4000

Tilbehør

Beskrivelse	Varenr.
Controller forlænger kabel, 1 m (3,2 fod)	6122400
Controller forlænger kabel, 7,6 m (25 fod)	57960-00
Controller forlænger kabel, 15,2 m (50 fod)	5796100
Controller forlænger kabel, 30,5 m (100 fod)	57962-00

Tartalomjegyzék

Műszaki adatok oldalon 80

Karbantartás oldalon 87

Általános tudnivaló oldalon 80

Hibaelhárítás oldalon 89

Összeszerelés oldalon 82

Cserealkatrészek és tartozékok oldalon 89

Az elektróda kalibrálása oldalon 84

Műszaki adatok

A műszaki adatok előzetes bejelentés nélkül változhatnak.

Műszaki adatok	Részletes adatok
Méretek (Sz x Mé x Ma)	30.5×38.4×16.6 cm (12×15.1×6.5 hüvelyk)
Tömeg	3.6 kg (8 font)
Áramlási sebesség	100 - 300 ml/perc
Maximális nyomás	6 bar 25 °C hőmérsékleten (87 font per négyzethüvelyk)
Hőmérséklet-szonda	Pt 100
Hőmérséklet tartomány	0–80 °C (32–176 °F)
Üzemi hőmérséklet	0–60 °C (32–140 °F)
Üzemi páratartalom	0 - 100% kondenzáció nélkül
Mérési tartomány (pH)	2 - 12 pH 0 - 80 °C (32 - 176 °F) hőmérsékleten
Mérési tartomány (ORP)	-1500 - +1500 mV 0 - 50 °C (32 - 122 °F) hőmérsékleten
Pontosság	< 0,1 pH vagy ± 5 mV ultra tiszta víz esetén
Megismételhetőség	0,01 pH/24 óra
Kábelhossz	7,7 m (25 láb) tartozék
Tanúsítványok	CE
Jótállás	1 év; 2 év EU

Általános tudnivaló

A gyártó semmilyen körülmények között sem felelős a jelen kézikönyv hibájából, vagy hiányosságaiból eredő közvetlen, közvetett, véletlenszerű, vagy következményként bekövetkezett kárért. A gyártó fenntartja a kézikönyv és az abban leírt termékek megváltoztatásának jogát minden értesítés vagy kötelezettség nélkül. Az átdolgozott kiadások a gyártó weboldalán találhatóak.

Biztonsági tudnivaló

MEGJEGYZÉS

A gyártó nem vállal felelősséget a termék nem rendeltetésszerű alkalmazásából vagy használatából eredő semmilyen kárért, beleértve de nem kizárólag a közvetlen, véletlen vagy közvetett károkat, és az érvényes jogszabályok alapján teljes mértékben elhárítja az ilyen kárigényeket. Kizárólag a felhasználó felelőssége, hogy felismerje a komoly alkalmazási kockázatokat, és megfelelő mechanizmusokat szereljen fel a folyamatok védelme érdekében a berendezés lehetséges meghibásodása esetén.

Kérjük, olvassa végig ezt a kézikönyvet a készülék kicsomagolása, beállítása vagy működtetése előtt. Szenteljen figyelmet az összes veszélyjelző és óvatosságra intó mondatra. Ennek elmulasztása a kezelő súlyos sérüléséhez vagy a berendezés megrongálódásához vezethet.





A berendezés nyújtotta védelmi funkciók működését nem szabad befolyásolni. Csak az útmutatóban előírt módon használja és telepítse a berendezést.

A veszéllyel kapcsolatos tudnivalók alkalmazása



▲ VESZÉLY	
	Lehetséges vagy közvetlenül veszélyes helyzetet jelez, amely halálhoz vagy súlyos sérüléshez vezet.
▲ FIGYELMEZTETÉS	
	Lehetséges vagy közvetlenül veszélyes helyzetet jelez, amely halálhoz vagy súlyos sérüléshez vezethet.
▲ VIGYÁZAT	
	Lehetséges veszélyes helyzetet jelez, amely enyhe vagy kevésbé súlyos sérüléshez vezethet.
MEGJEGYZÉS	
	A készülék esetleges károsodását okozó helyzet lehetőségét jelzi. Különleges figyelmet igénylő tudnivaló.

Figyelmeztető címkék

Olvasson el a műszeren található minden felirati táblát és függő címkét. Ha nem tartja be, ami rajtuk olvasható, személyi sérülés vagy műszer rongálódás következhet be. Ha szimbólum látható a műszeren, ez az útmutatóban is szerepelni fog a veszélyjelző vagy óvatosságra intő megjegyzésnél.

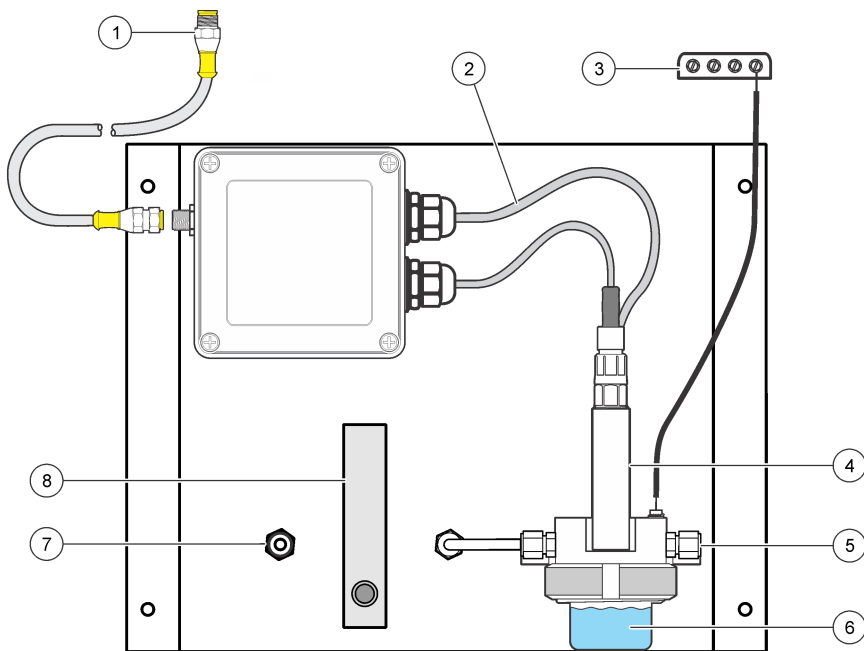
	Ha a készüléken ez a szimbólum látható, az a használati útmutató kezelési és/vagy biztonsági tudnivalóira utal.
	Az ezzel a jelzéssel megjelölt elektromos berendezés nem ártalmatlanítható az európai háztartási vagy nyilvános ártalmatlanító rendszerekben. A régi vagy az élettartama végét elért berendezést juttassa vissza a gyártó részére ártalmatlanítás céljából, ami a felhasználó számára díjmentes.
	Ez a szimbólum azt jelzi, hogy a jelölt elem forró lehet, ezért csak óvatosan szabad megérinteni.
	Az ilyen szimbólummal jelölt készülékhez védőföldelést kell csatlakoztatni. Ha a berendezés nem rendelkezik földelési csatlakozóval a vezetéken, hozza létre a védőföldelést a biztonsági vezetőterminálon.

A termék áttekintése

▲ VESZÉLY	
	Robbanásveszély. A műszer veszélyes helyszínekre történő telepítését nem hagyták jóvá.
▲ FIGYELMEZTETÉS	
	Égési sérülés veszélye. A forró mintakomponensekkel való érintkezés közben tartsa be a biztonságos kezelés szabályait.

A 8362sc nagy tisztaságú vízvizsgáló panel folyamatosan méri a nagy tisztaságú vizet használó alkalmazások pH- és ORP-értékét. A rendszer teljesen zárt, hogy ne szennyeződhessen a levegőben lévő szén-dioxiddal. Számos funkciót alkalmaznak arra, hogy nagy pontosságú pH/ORP-méréseket lehessen online módon elvégezni. A működéshez a panelt egy külső digitális vezérlőhöz csatlakoztatják. Lásd: [1. ábra](#).

1. ábra A termék áttekintése



1 Vezérlőcsatlakozó	5 Minta beömlőnyílása
2 Hőmérséklet érzékelő	6 Átfolyócella
3 Védőföldelés	7 Üritőcső-csatlakozó
4 pH vagy ORP elektróda	8 Áramlásmérő

A termék részegységei

A terméket a gyárban felszerelik az összes hozzátartozó alkatrészsel és bevizsgálják.

Összeszerelés

⚠ VIGYÁZAT



Többszörös veszély. A dokumentumnak ebben a fejezetében ismertetett feladatokat csak képzett szakemberek végezhetik el.

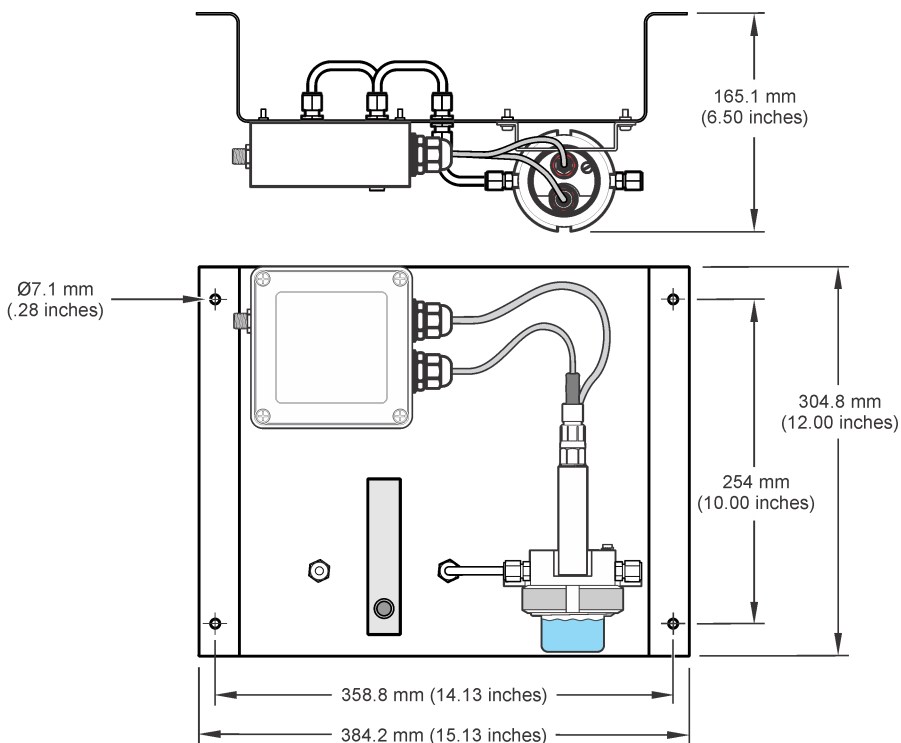
A panel falhoz történő rögzítése

Erősítse a panelt függőlegesen egy falhoz vagy olyan szerkezethez, amely legalább 15 kg lefelé irányuló súlyerőnek ellen tud állni. Olyan helyet használjon, ahol az áramlásmérő és a csatlakozódoboz hozzáférhető. Lásd: [2. ábra](#).

A felhasználó által biztosított hardver:

- Négy db csavar, 10 × 40 mm (7/16 × 1,5 hüvelyk)

2. ábra Felszerelési méretek



A mintavezetékek és a leeresztő vezetékek felszerelése

Miután a panelt egy falra szerelte, csatlakoztassa a mintavezetéket és az ürítővezetéket a panel elülső részén található szerelvényekhez.

1. Csatlakoztassa a mintavezetéket a beömlőnyílás 1/4 hüvelykes külső átmérőjű csőszerelvényéhez.
2. Csatlakoztassa az ürítővezetéket az ürítőcső 1/4 hüvelykes külső átmérőjű csőszerelvényéhez. Az ellennyomás megakadályozása érdekében a lehető legrövidebbre vegye az ürítővezetéket. Ne szerelje vissza az ürítővezetéket a fő mintafolyamba.

Csatlakoztatás a vezérlőhöz

A működés érdekében a panelt egy külső vezérlőhöz kell csatlakoztatni. Csatlakoztassa a vezérlő kábelét a csatlakozódoboz gyorscsatlakozó szerelvényéhez.

A védő földelés csatlakoztatása

Az átfolyócellán lévő földelő kábelt csatlakoztassa egy védő földeléshez, hogy az elektromos zajt a minimálisra csökkentse. A vezérlőnek és a panelnek ugyanazt a védő földelési forrást kell használnia.

Az elektróda előkészítése

Az elektródát használat előtt legalább 10 órára be kell meríteni a folyamat vizébe. Az előkészítés után kalibrálja az elektródát.

1. Távolítsa el az átfolyócellát. Lásd: [3. ábra](#) oldalon 85.
2. Távolítsa el a védőkupakot az elektródáról. Tegye el a védőkupakot, hogy hosszan tartó tároláskor felhasználhassa. Lásd: [Tárolás](#) oldalon 88.
3. Az elektróda üveggömbjét (végég) öblítse ki ionmentes vízzel, valamint pH pufferoldattal (pH elektródák esetén) vagy az ORP szabványos oldattal (ORP elektródák esetén).
4. Szerelje be az átfolyócellát.

Az áramlási sebesség beállítása

Az áramlási sebességet tartsa 100–300 ml/perc értéken 4 bar (58 font/négyzethüvelyk) maximális nyomásnál. Ne hagyja kiürülni az átfolyócellát.

1. Nyissa ki a mintavezetéken a szelepet, hogy a minta keresztüláramolhasson a panelen.
2. Fordítsa el az áramlásmérő gombját, és állítsa be az áramlási sebességet 100 - 300 ml/perc közötti értékre.
3. Keressen buborékokat az átfolyócellában. Állítsa be úgy az áramlást, hogy a buborékok megszűnjenek.

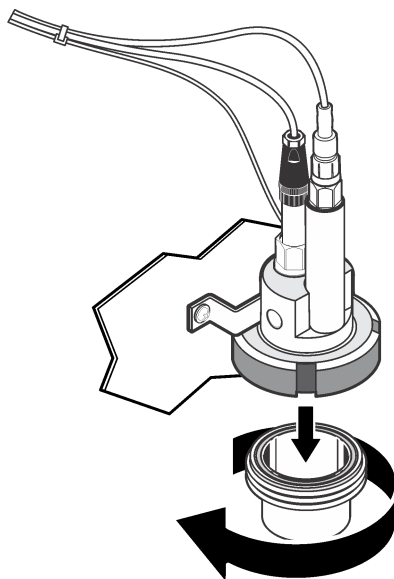
Az elektróda kalibrálása

Előfeltétel: Merítse az elektródát legalább 10 órán át a folyamat vizébe.

A legjobb eredmény elérése érdekében használja a 2 pontos kalibrálási módszert, a pH 7 és a pH 4 pufferoldatok felhasználásával.

1. Állítsa le a mintaáramlást.
2. Távolítsa el az átfolyócellát. Lásd: [3. ábra](#).
3. Öblítse ki az átfolyócellát és az elektródát ionmentes vízzel.
4. Töltse fel az átfolyócellát a pH 7 pufferoldattal.
5. Szerelje be a pH 7 pufferoldatot tartalmazó átfolyócellát.
6. A vezérlő segítségével kalibrálja az elektródát. Lásd: [pH kalibrálási eljárás](#) oldalon 85.
7. Ha a kalibrálás befejeződött, öblítse ki az átfolyócellát deionizált vízzel. Szerelje be az átfolyócellát.
8. A mintavezetéken nyissa meg a szelepet, és állítsa be az áramlási sebességet. Lásd: [Az áramlási sebesség beállítása](#) oldalon 84.
9. Mielőtt egy másik műszerrel összehasonlítaná, hagyja, hogy a minta legalább egy órán át áramoljon a panelen keresztül.

3. ábra Az átfolyócella eltávolítása



pH kalibrálási eljárás

Az érzékelő kalibrálható 1 vagy 2 referencia oldat használatával (1 pontos vagy 2 pontos kalibrálás). A szabványos puffereket a rendszer automatikusan felismeri. Ellenőrizzük, hogy a megfelelő puffer készletet van-e használatban (lásd: [A kalibrációs opciók megváltoztatása](#) oldalon 87).

1. Az érzékelőt helyezze az első referencia oldatba.
2. Várja meg, amíg az érzékelő és az oldat hőmérséklete kiegyenlítődik. Ez akár 30 percet is igénybe vehet, ha az érzékelő és a referencia oldat hőmérséklete közötti különbség jelentős.
3. Nyomja meg a **MENÜ** gombot és válassza ki az Érzékelő beállítása, [Érzékelő kiválasztása], Kalibrálás menüpontokat.
4. Válassza ki a kalibrálás típusát.

Opció	Megnevezés
2-pontos puffer	Használjon 2 puffert a kalibráláshoz, például a pH 7-hez és a pH 4-hez (javasolt módszer). A pufferek a kalibrálás beállításait tartalmazó menüben meghatározott pufferkészletből kell származnia (lásd: A kalibrációs opciók megváltoztatása oldalon 87).
1-pontos puffer	Használjon 2 puffert a kalibráláshoz, például a pH 7-hez. A pufferek a Kalibrációs opciók menüben meghatározott puffer készletből kell lennie.
2-pontos minta	Használjon ismert pH értékű 2 mintát vagy puffert a kalibráláshoz. A minta pH értékét határozza meg egy független készülékkel.
1-pontos minta	Használjon 1 mintát vagy puffert a kalibráláshoz. A minta pH értékét határozza meg egy független készülékkel.

5. Ha a vezérlő biztonsági menüjében jelszó van beállítva, írja be a jelszót.
6. A kalibrálás során válassza ki az opciót a kimeneti jelhez:

Opció	Megnevezés
Aktív	A készülék a kalibrálás során elküldi a jelenleg mért kimeneti értéket.

Opció Megnevezés

Tartás A kalibrálás során a készülék az érzékelő kimeneti értékét megtartja a jelenleg mért értéken.

Átvitel A kalibrálás során a készülék egy előre beállított kimeneti értéket küld. Az előre beállított érték megváltoztatásához olvassa el a vezérlő felhasználói kézikönyvét.

7. Amikor az érzékelő az első referencia oldatban van, nyomja meg az **ENTER** gombot. A mért érték jelenik meg.
8. Várja meg, amíg az érték stabilizálódik, majd nyomja meg az **ENTER** gombot.
Megjegyzés: A képernyő automatikusan a következő lépésre ugrik.
9. Ha a referencia oldat egy minta, akkor a pH értéket mérje meg egy független eszközzel. A nyíl gombok használatával írja be a mért értéket, és nyomja meg az **ENTER** gombot.
Megjegyzés: Ha egy pH érték nincs felsorolva az alkalmazott Kalibrációs opciók menüben, akkor nézze meg a puffer palackját, hogy megkeresse a puffer hőmérsékletnek megfelelő pH értéket.
10. 2-pontos kalibráció esetén mérje meg a második referencia oldatot (vagy mintát)
 - a. Az érzékelőt távolítsa el az első oldatból, és öblítse le tiszta vízzel.
 - b. Az érzékelőt helyezze a következő referencia oldatba, és nyomja meg az **ENTER** gombot.
 - c. Várja meg, amíg az érték stabilizálódik. Nyomja meg az **ENTER** gombot.
Megjegyzés: A képernyő automatikusan a következő lépésre ugrik.
 - d. Ha a referencia oldat egy minta, akkor a pH értéket mérje meg egy másodlagos hitelesítő készülékkel. A nyíl gombok segítségével írja be a mért értéket, és nyomja meg az **ENTER** gombot.
11. Ellenőrizze a kalibráció eredményét:
 - Sikeres - az érzékelő kalibrálva van, és készen áll minták mérésére. A meredekség és/vagy az eltérés értékek láthatók.
 - Sikertelen - a kalibrációs meredekség vagy eltérés kívül van az elfogadható határértékeken. Ismétlje meg a kalibrálást friss referencia oldattal.
12. Ha a kalibrálás sikeres volt, a folytatáshoz nyomja meg az **ENTER** gombot.
13. Ha a Kalibrálási opciók menüben a kezelői azonosító opciójának beállítása Igen, akkor adja meg a kezelői azonosítót. Lásd: [A kalibrációs opciók megváltoztatása](#) oldalon 87.
14. Az Új érzékelő képernyőn adja meg, hogy az érzékelő új-e vagy sem:

Opció Megnevezés

Igen Az érzékelő ezzel a vezérlővel még nem volt kalibrálva. Az érzékelő üzemeideje és a korábbi kalibrációs görbéje törölve vannak.

Nem Az érzékelőt ezzel a vezérlővel már volt kalibrálva.

15. Az érzékelőt helyezze vissza a mintába, és nyomja meg az **ENTER** gombot. A kimeneti jel visszatér aktív állapotba, és a mért minta érték megjelenik a képernyőn.
Megjegyzés: Ha a kimeneti üzemmód beállítása tart vagy átvitel, válassza ki a késleltetési időt, amely után a kimenet visszatér az aktív állapotba.

A kalibrációs opciók megváltoztatása

A felhasználó emlékeztetőt vagy kezelői azonosítót állíthat be a kalibrációs adatokhoz a CAL OPTIONS (KALIBRÁCIÓS OPCÍOK) menüben.

1. Nyomja meg a **MENU (MENÜ)** gombot, és válassza a Sensor Setup (Érzékelő beállítása), [Select Sensor/Érzékelő kiválasztása], Calibrate (Kalibrálás), Cal Options (Kalibrációs opciók) menüpontokat.
2. A nyíl gombok használatával válasszon ki egy opciót, majd nyomja meg az **ENTER** gombot.

Opció	Megnevezés
SELECT BUFFER (PUFFER KIVÁLASZTÁSA)	Csak pH érzékelőkhöz - azoknak a puffer oldatoknak a módosítása, amelyek a pH 4.00, 7,00, 10,00 (alapértelmezett beállítás) vagy a DIN 19267 (pH 1,09, 4,65, 6,79, 9,23, 12,75) értékekhez történő kalibráláshoz használatosak. Megjegyzés: <i>Más pufferek is használhatók, ha a kalibrálás során az 1-pontos vagy a kétpontos minta opciót választja ki.</i>
CAL REMINDER (KALIBRÁLÁS EMLÉKEZTETŐ)	Ezzel a funkcióval emlékeztető állítható be a következő kalibrálásra, napokban, hónapokban vagy években - Ki (alapértelmezett), 1 nap, 7, 30, 60 vagy 90 nap, 6 vagy 9 hónap, illetve 1 vagy 2 év.
OP ID on CAL (OP AZONOSÍTÓ KALIBRÁLÁSHOZ)	Kezelői azonosító a kalibráláshoz - Igen vagy Nem (alapértelmezett). Az azonosítót a kalibrálás során kell beírni.

Karbantartás

▲ VIGYÁZAT



Többszörös veszély. A dokumentumnak ebben a fejezetében ismertetett feladatokat csak képzett szakemberek végezhetik el.

A berendezés tisztítása

Tisztítsa meg a készülék külsejét nedves ruhával és enyhe szappanos oldattal, majd szükség szerint törölje szárazra.

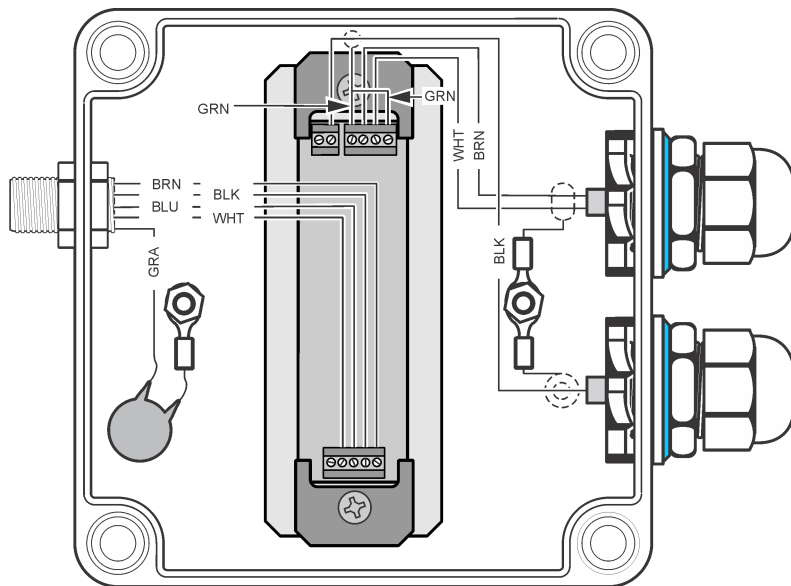
Tisztítsa meg az elektródát

Az elektródát minden hónapban tisztítsa meg puha, kopásálló ruhával.

Szondacsere

Elektróda vagy hőmérséklet-érzékelő cseréjéhez lásd: 4. ábra és 1. táblázat.

4. ábra Csatlakozódoboz kábelezése



1. táblázat Kábelek leírása

Szonda	Kábel	Leírás
pH/ORP elektróda	Fekete - merev (központi) kábel	pH- vagy ORP-értéket mér
pH/ORP elektróda	Zöld - réz, belső árnyékolás	Referencia
pH/ORP elektróda	Zöld - réz, külső árnyékolás	Védőföldelés
Hőmérséklet érzékelő	Barna és fehér	Pt100 érzékelő

Tárolás

Ha a rendszert adott időszakra el kell távolítani a működésből, az elektródát egy tároló oldatban tartsa.

1. Töltse fel a védőkupakot 3 M KCl oldattal.
2. Szerelje a védőkupakot az elektródafelet fölé.

Hibaelhárítás

Probléma	Lehetséges ok	Megoldás
A kalibrálás nincs elfogadva.	A mérő vagy a referencia elektróda hibás.	Cserélje ki a hibás elektródát.
	Probléma merült fel a vezérlőhöz csatlakozó kábelekkel kapcsolatban.	Vizsgálja meg az elektródát a vezérlővel összekötő kábelt. Győződjön meg arról, hogy a fémhuzaloknak megfelelő a csatlakozása.
	A vezérlő hibás.	Cserélje ki a vezérlőt.
A leolvasások szabálytalanok.	A rendszer egy légbuborékot észlelt az elektróda végén.	Állítsa be úgy az elektróda helyzetét, hogy ne kerüljenek légbuborékok az elektróda alá.
	Az elektróda nem rendelkezik megfelelő földeléssel.	Lásd: A védő földelés csatlakoztatása oldalon 83.
	Az üveggallon hibás.	Cserélje ki az elektródát.
	Az áramlási potenciál interferenciát okozott.	Csatlakoztasson védőföldelést az elektróda melletti oldalhoz. A nagy tisztaságú vízben a legfontosabb dolog az oldat földelése.
Lassú a válasz.	A minta hideg és/vagy kis ionerősséggel rendelkezik.	Növelje a minta hőmérsékletét.
A pH-érték leolvasása folyamatosan változik.	Az elektródát nem megfelelően készítették fel.	Egy új vagy száraz elektródát mérítsen legalább 10 órán keresztül a folyamat mintájába, majd kalibrálja az elektródát.

Cserealkatrészek és tartozékok

▲ FIGYELMEZTETÉS



Személyi sérülés veszélye. A nem jóváhagyott alkatrészek használata személyi sérüléshez, a műszer károsodásához vagy a berendezés meghibásodásához vezethet. Az ebben a fejezetben található cserealkatrészek a gyártó által jóváhagyott alkatrészek.

Megjegyzés: A termék- és cikkszámok értékesítési régióként eltérhetnek. Lépjen kapcsolatba a megfelelő viszonteladóval, vagy látogasson el a cég honlapjára a kapcsolattartási tudnivalóért.

Kalibrálási oldatok

Leírás	Mennyiség	Cikksz.
4 pH-oldat, NIST	500 ml	2283449
7 pH-oldat, NIST	500 ml	2283549
10 pH-oldat, NIST	500 ml	2283649
ORP referenciaoldat, 200 mV	500 ml	25M2A1001-115
ORP referencia oldat, 600 mV	500 ml	25M2A1002-115

Cserealkatrészek

Leírás	Cikksz.
Szerelvény, ¼ OD, 1/8 NPT, csatlakozódugó	6178800
Szerelvény, ¼ OD, ¼ NPT, válaszfalas összekötés	6178600
Áramlásmérő	4598700

Cserealkatrészek (folytatás)

Leírás	Cikksz.
ORP elektróda	08362=A=2111
pH elektróda	08362=A=2000
pH/ORP elektródakábel 3 m	359016,10110
Pt100 kábel, 3 m	08362=A=3001
Pt100 hőmérséklet-érzékelő	08362=A=1001
Cső, hátsó	6178700
Cső, első	6178900
Csőcsatlakozók, 1/8 hüvelyk NPT, mindegyik 2	08362=A=4000

Tartozékok

Leírás	Cikksz.
Vezérlő hosszabbítókábele, 1 m (3,2 láb)	6122400
Vezérlő hosszabbítókábele, 7,6 m (25 láb)	57960-00
Vezérlő hosszabbítókábele, 15,2 m (50 láb)	5796100
Vezérlő hosszabbítókábele, 30,5 m (100 láb)	57962-00

İçindekiler

Teknik Özellikler sayfa 91

Bakım sayfa 98

Genel Bilgiler sayfa 91

Sorun giderme sayfa 99

Kurulum sayfa 93

Yedek parçalar ve aksesuarlar sayfa 100

Elektrodun kalibre edilmesi sayfa 95

Teknik Özellikler

Teknik özellikler, önceden bildirilmeksizin değiştirilebilir.

Teknik Özellik	Ayrıntılar
Boyutlar (G x D x Y)	30,5 x 38,4 x 16,6 cm (12 x 15,1 x 6,5 inç)
Ağırlık	3,6 kg (8 lb)
Akış hızı	100 ila 300 mL/dk.
Maksimum basınç	25°C'de 6 bar (87 psi)
Sıcaklık probu	Pt100
Sıcaklık aralığı	0°C ila 80°C (32°F ila 176°F)
Çalışma sıcaklığı	0°C ila 60°C (32°F ila 140°F)
Çalışma nem oranı	%0 ila %100 yoğunlaşmaz
Ölçüm aralığı (pH)	0°C ila 80°C'de (32°F ila 176°F) 2 ila 12 pH
Ölçüm aralığı (ORP)	0°C ila 50°C'de (32°F ila 122°F) -1500 ila +1500 mV
Hassasiyet	Ultra saf su için < 0,1 pH veya ± 5 mV
Tekrarlanabilirlik	24 saatte 0,01 pH
Kablo uzunluğu	7,7 m (25 ft), birlikte verilir
Sertifikalar	CE
Garanti	1 yıl; 2 yıl AB

Genel Bilgiler

Hiçbir durumda üretici, bu kılavuzdaki herhangi bir hata ya da eksiklikten kaynaklanan doğrudan, dolaylı, özel, tesadüfi ya da sonuçta meydana gelen hasarlardan sorumlu olmayacaktır. Üretici, bu kılavuzda ve açıkladığı ürünlerde, önceden haber vermeden ya da herhangi bir zorunluluğa sahip olmadan değişiklik yapma hakkını saklı tutmaktadır. Güncellenmiş basımlara, üreticinin web sitesinden ulaşılabilir.

Güvenlik bilgileri

BILGI

Üretici, doğrudan, arıza ve sonuç olarak ortaya çıkan zararlar dahil olacak ancak bunlarla sınırlı olmayacak şekilde bu ürünün hatalı uygulanması veya kullanılmasından kaynaklanan hiçbir zarardan sorumlu değildir ve yürürlükteki yasaların izin verdiği ölçüde bu tür zararları reddeder. Kritik uygulama risklerini tanımlamak ve olası bir cihaz arızasında prosesleri koruyabilmek için uygun mekanizmaların bulunmasını sağlamak yalnızca kullanıcının sorumluluğundadır.

Bu cihazı paketinden çıkarmadan, kurmadan veya çalıştırmadan önce lütfen bu kılavuzun tümünü okuyun. Tehlikeler ve uyarılarla ilgili tüm ifadeleri dikkate alın. Aksi halde, kullanıcının ciddi şekilde yaralanması ya da ekipmanın hasar görmesi söz konusu olabilir.

Bu cihazın korumasının bozulmadığından emin olun. Cihazı bu kılavuzda belirtilenden başka bir şekilde kullanmayın veya kurmayın.

Tehlikeyle ilgili bilgilerin kullanılması

▲ TEHLİKE

Olması muhtemel veya yakın bir zamanda olmasından korkulan, engellenmediği takdirde ölüm veya ciddi yaralanmaya neden olacak tehlikeli bir durumu belirtir.

▲ UYARI

Önlenmemesi durumunda ciddi yaralanmalar veya ölümlerle sonuçlanabilecek potansiyel veya yakın bir zamanda meydana gelmesi beklenen tehlikeli durumların mevcut olduğunu gösterir.

▲ DİKKAT





Daha küçük veya orta derecede yaralanmalarla sonuçlanabilecek potansiyel bir tehlikeli durumu gösterir.

BİLGİ

Engellenmediği takdirde cihazda hasara neden olabilecek bir durumu belirtir. Özel olarak vurgulanması gereken bilgiler.

Önlem etiketleri

Cihazın üzerindeki tüm etiketleri okuyun. Talimatlara uyulmadığı takdirde yaralanma ya da cihazda hasar meydana gelebilir. Cihazın üzerinde bulunan semboller, kılavuzda tehlike veya dikkat ifadesiyle yer alır.

	Bu sembol cihazın üzerinde mevcutsa çalıştırma ve/veya güvenlik bilgileri için kullanım kılavuzuna referansta bulunur.
	Bu simge ile işaretli elektrikli teçhizat, Avrupa dahilinde evsel atıklara veya kamu çöp sistemlerine bertaraf edilmeyebilir. Eski veya ömrünün sonuna gelmiş teçhizatı kullanıcılarına herhangi bir ücret yüklenmeksizin, berataraf etmesi için üreticisine iade ediniz.
	Bu sembol işaretli parçanın sıcak olabileceğini ve parçaya dokunurken dikkatli olunması gerektiğini işaret eder.
	Bu sembol işaretli parçanın koruyucu topraklama bağlantısı gerektirdiğini gösterir. Cihaz beraberinde topraklama fiş kablosuyla birlikte gelmediyse koruyucu toprak bağlantısını koruma iletkenli bağlantı ucuna takın.

Ürüne genel bakış

▲ TEHLİKE



Patlama tehlikesi. Aygıtın tehlikeli konumlarda kurulumu onaylanmamıştır.

▲ UYARI

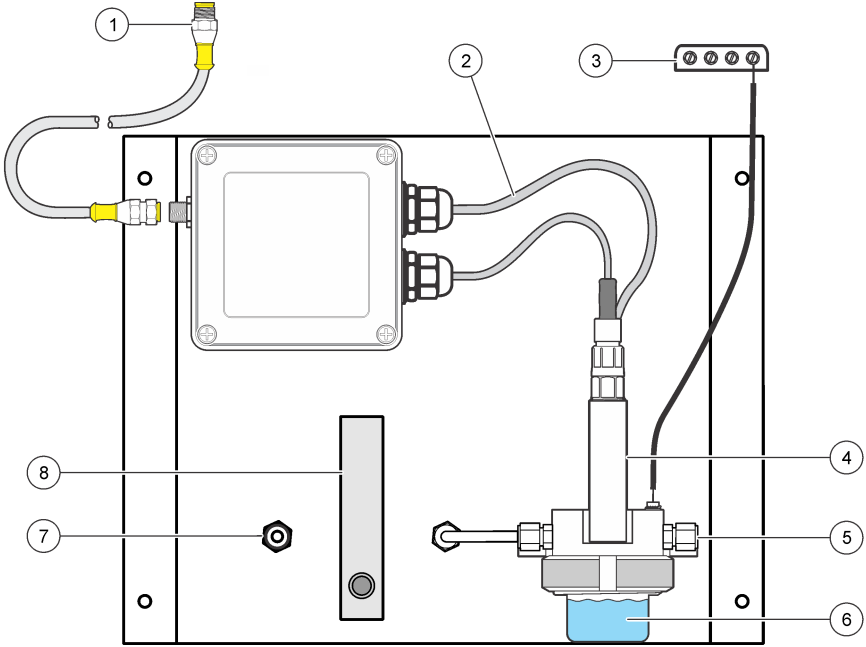


Yanma tehlikesi. Sıcak örnek bileşenleriyle temas sırasında güvenli kullanım protokollerine uyun.

8362 sc Yüksek Safılık Derecesine Sahip Su Paneli, saf su uygulamalarında sürekli olarak pH veya ORP ölçümü yapar. Sistem, atmosferik karbondioksitten kaynaklanabilecek kirlenmeleri önlemek için tamamen yalıtılmıştır. Yüksek hassasiyet derecesine sahip çevrimiçi pH/ORP ölçümleri sağlamak için

birçok tasarım özellikleri kullanılmıştır. Panel, işletim için harici bir dijital kontrol ünitesine bağlanır. Bkz. Şekil 1.

Şekil 1 Ürüne genel bakış



1 Kontrol ünitesi konektörü	5 Numune girişi
2 Sıcaklık sensörü	6 Akış bölmesi
3 Koruyucu topraklama	7 Drenaj konektörü
4 pH veya ORP elektrodu	8 Akış ölçer

Ürün bileşenleri

Panel, takılı ve lehimli tüm bileşenleriyle birlikte fabrikada birleştirilmiştir.

Kurulum

⚠ DİKKAT



Birden fazla tehlike. Belgenin bu bölümünde açıklanan görevleri yalnızca yetkili personel gerçekleştirmelidir.

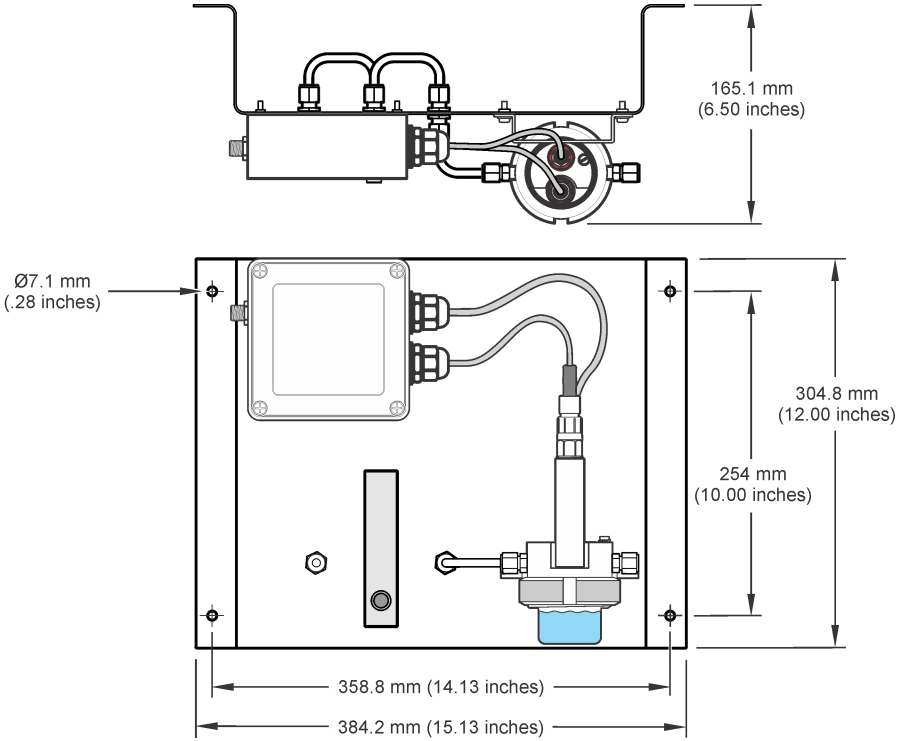
Panelin duvara monte edilmesi

Paneli duvara veya aşağı yönde en az 15 kg (32 lb) ağırlık kaldıracak bir yapıya dikey olarak monte edin. Akış ölçere ve bağlantı kutusuna ulaşabileceğiniz bir konum kullanın. Bkz. Şekil 2.

Kullanıcının satın alması gereken donanım:

- Dört civata, 10 × 40 mm (7/16 × 1,5 inç)

Şekil 2 Kurulum boyutları



Numune ve drenaj hatları

Panel duvara monte edildikten sonra numune ve drenaj hatlarını panelin ön kısmındaki bağlantı parçalarına bağlayın.

1. Numune hattını 1/4 inç'lik OD hortum bağlantısı girişine bağlayın.
2. Drenaj hattını 1/4 inç'lik OD hortum bağlantısı girişine bağlayın. Karşı basıncı önlemek için drenaj hattını olabildiğince kısa tutun.
Drenaj hattını ana numune akışına tekrar takmayın.

Kontrol ünitesinin bağlanması

Panel, işletim için harici bir kontrol ünitesine bağlanır. Kontrol ünitesinin kablosunu, bağlantı kutusundaki hızlı bağlantı parçasına bağlayın.

Koruyucu topraklamanın bağlanması

Elektriksel gürültüyü minimum düzeyde tutmak için akış bölgesini topraklama kablosunu koruyucu topraklamaya bağlayın. Kontrol ünitesi ve panel koruyucu topraklama için aynı kaynağı kullanmalıdır.

Elektrodun hazırlanması

Elektrot, kullanımdan önce proses suyunda en az 10 saat bekletilmelidir. Elektrodu hazırladıktan sonra kalibre ettiğinizden emin olun.

1. Akış bölmesini çıkarın. Bkz. [Şekil 3](#) sayfa 96.
2. Koruyucu kapağı elektrottan çıkarın. Uzun süreli saklama boyunca kullanım için koruyucu kapağı saklayın. Bkz. [Saklama](#) sayfa 99.
3. Elektrot lambasını deiyonize su, pH tamponu (pH elektrotları için) veya ORP standart çözelti (ORP elektrotları için) ile durulayın.
4. Akış bölmesini yerleştirin.

Akış hızının ayarlanması

Akış hızını 4 bar (58 psi) maksimum basınçta 100 ile 300 mL/dk. arasında tutun. Akış bölmesi her zaman dolu olmalıdır.

1. Panele numune akışı sağlamak için numune hattındaki valfi açın.
2. Akış hızını 100 ile 300 mL/dk. arasında ayarlamak için akış ölçer üzerindeki düğmeyi çevirin.
3. Akış bölmesinde kabarcık olup olmadığını kontrol edin. Kabarcıkları gidermek için akışı ayarlayın.

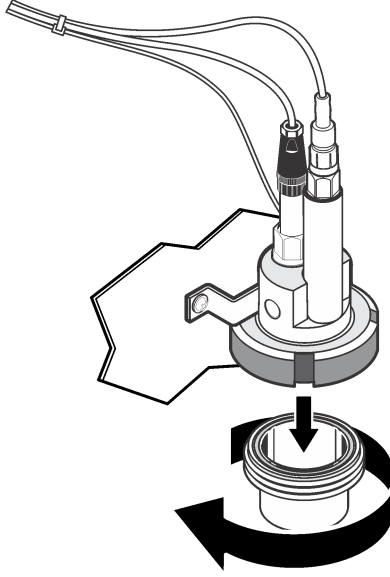
Elektrodun kalibre edilmesi

Ön koşul: Elektrodu proses suyunda en az 10 saat bekletin.

En iyi sonuçlar için pH 7 ve pH 4 tampon çözeltiyle 2 noktalı kalibrasyon metodunu kullanın.

1. Numune akışını durdurun.
2. Akış bölmesini çıkarın. Bkz. [Şekil 3](#).
3. Akış bölmesini ve elektrodu deiyonize suda durulayın.
4. Akış bölmesini pH 7 tamponla doldurun.
5. pH 7 tamponla dolu akış bölmesini yerleştirin.
6. Elektrodu kalibre etmek için kontrol ünitesini kullanın. Bkz. [pH kalibrasyon prosedürü](#) sayfa 96.
7. Kalibrasyon tamamlandığında akış bölmesini çıkarın ve deiyonize su ile durulayın. Akış bölmesini yerleştirin.
8. Numune hattındaki valfi açın ve akış hızını ayarlayın. Bkz. [Akış hızının ayarlanması](#) sayfa 95.
9. Başka bir cihazla karşılaştırma yapmadan önce panele en az 1 saat numune akışı sağlayın.

Şekil 3 Akış bölümünün çıkarılması



pH kalibrasyon prosedürü

Sensörler 1 veya 2 referans çözeltisiyle kalibre edilebilir (1 nokta veya 2 nokta kalibrasyonu) Standart çözeltiler otomatik olarak tanınır. Doğru tampon setinin kullanıldığından emin olun (bkz. [Kalibrasyon seçeneklerinin değiştirilmesi](#) sayfa 98).

1. Sensörü ilk referans çözeltisine koyun.
2. Sensör ve çözelti sıcaklığının dengelenmesini bekleyin. Proses ve referans çözeltisi arasındaki sıcaklık farkı fazla ise bu 30 dakika veya daha fazla sürebilir.
3. **MENU** tuşuna basın ve Sensor Setup, [Select Sensor], Calibrate (Sensör Ayar, [Sensör Seç], Kalibrasyon) öğelerini seçin.
4. Kalibrasyon türünü seçin:

Seçenek	Açıklama
2 nokta tamponu	Kalibrasyon için 2 tampon kullanın; örneğin pH 7 ve pH 4 (önerilen yöntem). Tamponlar, Cal Options (Kalibrasyon Seçenekleri) menüsünde belirtilen tampon grubuna ait olmalıdır (bkz. Kalibrasyon seçeneklerinin değiştirilmesi sayfa 98).
1 nokta tampon	Kalibrasyon için 1 tampon kullanın, örneğin pH 7. Tampon, Kal Seçenekleri menüsünde belirtilen tampon grubuna ait olmalıdır.
2 nokta örnek	Kalibrasyon için pH değeri bilinen 2 örnek veya tampon kullanın. Numunelerin pH değerini farklı bir cihazla belirleyin.
1 nokta örnek	Kalibrasyon için 1 örnek veya tampon kullanın. Numunelerin pH değerini farklı bir cihazla belirleyin.

5. Parola kontrolörün güvenlik menüsünde etkinleştirilmişse, parolayı girin.
6. Kalibrasyon sırasında çıkış sinyali seçeneğini belirleyin:

Seçenek	Açıklama
Aktif	Cihaz, ölçülen mevcut çıkış değerini kalibrasyon işlemi sırasında gönderir.

Seçenek Açıklama

Beklet Sensör çıkış değeri kalibrasyon prosedürü sırasında ölçülen mevcut değerde bekletilir.

Aktar Kalibrasyon sırasında ön ayarlı bir çıkış değeri gönderilir. Ön ayar değerini değiştirmek için kontrolör kullanım kılavuzuna başvurun.

7. Sensör ilk referans çözeltilisinin içindeyken **ENTER** tuşuna basın. Ölçülen değer gösterilir.

8. Değerin sabitlenmesini bekleyip **ENTER** tuşuna basın.

Not: Ekran otomatik olarak bir sonraki adıma geçebilir.

9. Referans çözeltilisi bir örnekse, pH değerini ikinci bir doğrulama cihazıyla ölçün. Ok tuşlarını kullanarak ölçülen değeri girin ve **ENTER** tuşuna basın.

Not: pH tamponu listelenmemiş Kal Seçenekleri menüsü kullanılıyorsa, tamponun sıcaklığına karşılık gelen pH değerini bulmak için tampon şişesine bakın.

10. 2 noktalı kalibrasyon için, ikinci referans çözeltilisini (veya örneği) ölçün:

a. Sensörü ilk çözeltiden çıkarıp temiz suyla durulayın.

b. Sensörü sonraki referans çözeltisine koyup **ENTER** tuşuna basın.

c. Değerin sabitlenmesini bekleyin ve **ENTER** tuşuna basın.

Not: Ekran otomatik olarak bir sonraki adıma geçebilir.

d. Referans çözeltilisi bir örnekse, pH değerini ikinci bir doğrulama cihazıyla ölçün. Ok tuşlarını kullanarak ölçülen değeri girin ve **ENTER** tuşuna basın.

11. Kalibrasyon sonucunu gözden geçirin:

• Geçti—sensör kalibre edilmiş ve örnekleri ölçmek için hazırdır. Eğim ve/veya ofset değerleri gösterilir.

• Hata—kalibrasyon eğimi veya ofset kabul edilebilir limitlerin dışında. Kalibrasyonu taze referans çözeltileriyle tekrarlayın.

12. Kalibrasyon geçerse, devam etmek için **ENTER** tuşuna basın.

13. Calibration Options (Kalibrasyon Seçenekleri) menüsünde operator ID (operatör kimliği) seçeneği Yes (Evet) olarak belirlenmişse, bir operatör kimliği girin. Bkz. [Kalibrasyon seçeneklerinin değiştirilmesi](#) sayfa 98.

14. New Sensor (Yeni Sensör) ekranında sensörün yeni olup olmadığını seçin:

Seçenek Açıklama

Evet Sensör, bu kontrolörle daha önce kalibre edilmedi. Sensörler için çalışma günleri ve önceki kalibrasyon eğrileri sıfırlandı.

Hayır Sensör, bu kontrolörle daha önce kalibre edildi.

15. Sensörü prosese geri getirip **ENTER** tuşuna basın.

Çıkış sinyali etkin duruma döner ve ölçülen örnek değeri ölçüm ekranında gösterilir.

Not: Çıkış modu beklet veya aktar olarak belirlenmişse, çıkışların etkin duruma döneceği gecikme süresini seçin.

Kalibrasyon seçeneklerinin değiştirilmesi

Kullanıcı, KAL SEÇENEKLERİ menüsünden bir hatırlatıcı seçebilir veya kalibrasyon verileriyle birlikte bir operatör kimliği ekleyebilir.

1. **MENU** tuşuna basın ve Sensor Setup, [Select Sensor], Calibrate, Cal Options (Sensör Ayar, [Sensör Seç], Kalibrasyon, Kalibrasyon Seçenekleri) öğelerini seçin.
2. Ok tuşlarını kullanarak bir seçenek belirleyin ve **ENTER** tuşuna basın.

Seçenek	Açıklama
SELECT BUFFER (TAMPON SEÇİMİ)	Yalnız pH sensörleri için—kalibrasyon için tanınan tampon çözeltisi grubunu pH 4.00, 7.00, 10.00 (varsayılan grup) veya DIN 19267 (pH 1.09, 4.65, 6.79, 9.23, 12.75) şeklinde değiştirir Not: Kalibrasyon sırasında 1 noktalı numune veya 2 noktalı numune seçilirse diğer tamponlar da kullanılabilir.
CAL REMINDER (KALİBRASYON HATIRLATICISI)	Bir sonraki kalibrasyon için gün, ay veya yıl olarak bir hatırlatıcı ayarlar—Kapalı (varsayılan), 1 gün, 7, 30, 60, veya 90 gün, 6 veya 9 ay, 1 ya da 2 yıl
OP ID on CAL (KAL üzerinde OP ID)	Kalibrasyon verileriyle birlikte bir operatör kimliği içerir—Evet veya Hayır (varsayılan). Kimlik, kalibrasyon sırasında girilir.

Bakım

⚠ DİKKAT



Birden fazla tehlike. Belgenin bu bölümünde açıklanan görevleri yalnızca yetkili personel gerçekleştirmelidir.

Cihazın temizlenmesi

Cihazın dış kısmını nemli bir bezle ve hafif sabunlu bir solüsyonla temizleyin, daha sonra cihazı silerek gereken şekilde kurulaştırın.

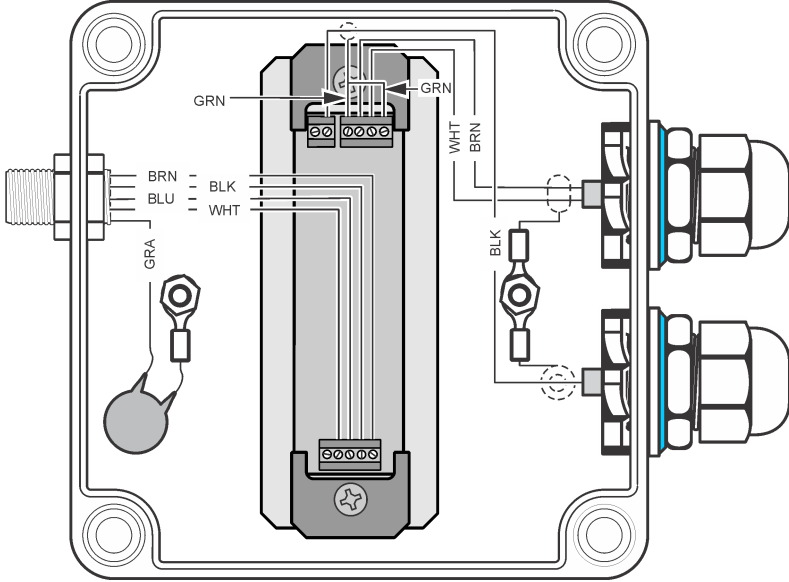
Elektrodun temizlenmesi

Elektrodu her ay yumuşak ve aşındırıcı olmayan bir bezle temizleyin.

Probun deęiřtirilmesi

Bir elektrodu veya sıcaklık sensörünü deęiřtirmek için bkz. [řekil 4](#) ve [Tablo 1](#).

řekil 4 Baęlantı kutusu kabloları



Tablo 1 Kablo açıklamaları

Prob	Kablo	Açıklama
pH/ORP elektrodu	Siyah sert kablo (ortada)	pH veya ORP ölçer
pH/ORP elektrodu	Yeřil bakır dahili kalkan	Referans
pH/ORP elektrodu	Yeřil bakır harici kalkan	Koruyucu topraklama
Sıcaklık sensörü	Kahverengi ve beyaz	Pt100 sensörü

Saklama

Sistem, řiřetmeden bir sürelięine çıkarılacaksa elektrodu saklama çözeltisinde bekletin.

1. Koruyucu kapaęı 3 M KCl ile doldurun.
2. Koruyucu kapaęı elektrot lambasının üzerine takın.

Sorun giderme

Sorun	Olası neden	Çözüm
Kalibrasyon kabul edilmiyor.	Ölçüm veya referans elektrodu arızalıdır.	Arızalı elektrodu deęiřtirin.
	Kontrol ünitesinin kablolarında sorun var.	Elektrottan kontrol ünitesine giden kabloları kontrol edin. Metal kabloların baęlantısının doęru yapıldıęından emin olun.
	Kontrol ünitesi arızalı.	Kontrol ünitesini deęiřtirin.

Sorun	Olası neden	Çözüm
Ölçümler tutarsız.	Elektrodun ucunda hava kabarcığı vardır.	Elektrodun konumunu hava kabarcıkları elektrodun altında kalmayacak şekilde ayarlayın.
	Elektrodun topraklama bağlantısı iyi yapılmamıştır.	Bkz. Koruyucu topraklamanın bağlanması sayfa 94.
	Elektrodun cam lambası arızalıdır.	Elektrodu değiştirin.
	Akış potansiyelinde parazit vardır.	Elektrodun yanındaki çözeltiye koruyucu bir topraklama bağlayın. Yüksek saflık derecesine sahip su uygulamalarında çözeltinin topraklanması oldukça önemlidir.
Tepki çok yavaş.	Numune soğuktur ve/veya numunenin iyonik kuvveti düşüktür.	Numunenin sıcaklığını artırın.
pH ölçüm değeri sürekli değişiyor.	Elektrod yeterince hazırlanmamıştır.	Yeni veya kuru bir elektrodu en az 10 saat proses numunesinde bekletin, ardından elektrodu kalibre edin.

Yedek parçalar ve aksesuarlar

⚠ UYARI



Fiziksel yaralanma tehlikesi. Onaylanmayan parçaların kullanımı kişisel yaralanmalara, cihazın zarar görmesine ya da donanım arızalarına neden olabilir. Bu bölümdeki yedek parçalar üretici tarafından onaylanmıştır.

Not: Bazı satış bölgelerinde Ürün ve Madde numaraları değişebilir. İrtibat bilgileri için ilgili distribütörlere iletişime geçin veya şirketin web sitesine başvurun.

Kalibrasyon çözeltileri

Açıklama	Miktar	Öge no.
4 pH çözeltisi, NIST	500 mL	2283449
7 pH çözeltisi, NIST	500 mL	2283549
10 pH çözeltisi, NIST	500 mL	2283649
ORP referans çözeltisi, 200 mV	500 mL	25M2A1001-115
ORP referans çözeltisi, 600 mV	500 mL	25M2A1002-115

Yedek parçalar

Açıklama	Öge no.
Bağlantı parçası, ¼ OD, 1/8 NPT, erkek konektör	6178800
Bağlantı parçası, ¼ OD, ¼ NPT, bölmeli rakor	6178600
Akış ölçer	4598700
ORP elektrodu	08362=A=2111
pH elektrodu	08362=A=2000
pH/ORP elektrot kablosu, 3 m	359016,10110
Pt100 kablosu, 3 m	08362=A=3001
Pt100 sıcaklık sensörü	08362=A=1001

Yedek parçalar (devamı)

Açıklama	Öge no.
Hortum, arka	6178700
Hortum, ön	6178900
Hortum konektörleri, 1/8 inç NPT, her biri için 2 adet	08362=A=4000

Aksesuarlar

Açıklama	Öge no.
Kontrol ünitesi uzatma kablosu, 1 m (3,2 ft)	6122400
Kontrol ünitesi uzatma kablosu, 7,6 m (25 ft)	57960-00
Kontrol ünitesi uzatma kablosu, 15,2 m (50 ft)	5796100
Kontrol ünitesi uzatma kablosu, 30,5 m (100 ft)	57962-00

جدول المحتويات

المواصفات في صفحة 102	الصيانة في صفحة 108
معلومات عامة في صفحة 102	استكشاف الأخطاء وإصلاحها في صفحة 109
التركيب في صفحة 104	قطع الغيار والملحقات في صفحة 110
معايرة القطب الكهربائي في صفحة 106	

المواصفات

تخضع المواصفات للتغيير دون إشعار.

المواصفات	التفاصيل
الأبعاد (العرض × العمق × الارتفاع)	30.5 × 38.4 × 16.6 سم (12 × 15.1 × 6.5 بوصات)
الوزن	3.6 كجم (8 أرطال)
معدل التدفق	من 100 إلى 300 مللي لتر/دقيقة
الحد الأقصى للضغط	6 بار عند 25 درجة مئوية (87 رطلاً)
مجس درجات الحرارة	Pt100
نطاق درجات الحرارة	من 0 إلى 80 درجة مئوية (من 32 إلى 176 درجة فهرنهايت)
درجة حرارة التشغيل	من 0 إلى 60 درجة مئوية (من 32 إلى 140 درجة فهرنهايت)
الرطوبة النسبية للتشغيل	من 0 إلى 100% بدون تكثيف
نطاق القياس (درجة حموضة)	من 2 إلى 12 درجة حموضة عند 0 إلى 80 درجة مئوية (32 إلى 176 درجة فهرنهايت)
نطاق القياس (ORP)	من -1500 إلى +1500 مللي فولت عند 0 إلى 50 درجة مئوية (32 إلى 122 درجة فهرنهايت)
الدقة	> 0.1 درجة حموضة أو ± 5 مللي فولت للحصول على مياه على درجة عالية جدًا من النقاء
التكرار	0.01 درجة حموضة/24 ساعة
طول الكبل	7.7 م (25 قدمًا) مرفق
الشهادات	CE
الضمان	عام واحد؛ عامان بالاتحاد الأوروبي

معلومات عامة

لا تتحمل الشركة المصنعة بأي حال من الأحوال المسؤولية عن الأضرار المباشرة أو غير المباشرة أو الخاصة أو العرضية أو اللاحقة الناتجة عن أي سهو أو خطأ في هذا الدليل. وتحفظ الشركة المصنعة بالحق في إجراء تغييرات على هذا الدليل والمنتجات الموضحة به في أي وقت، دون إشعار أو التزام مسبق. يمكن العثور على الإصدارات التي تمت مراجعتها على موقع الشركة المصنعة على الويب.

معلومات السلامة

إشعار

الشركة المصنعة غير مسؤولة عن أية أضرار تنتج عن سوء استخدام هذا المنتج، بما في ذلك على سبيل المثال لا الحصر الأضرار المباشرة والعرضية واللاحقة، وتخلي مسؤوليتها عن مثل هذه الأضرار إلى الحد الكامل المسموح به وفق القانون المعمول به. يتحمل المستخدم وحده المسؤولية الكاملة عن تحديد مخاطر الاستخدام الحرجة وتركيب الآليات المناسبة لحماية العمليات أثناء أي قصور محتمل في تشغيل الجهاز.





يرجى قراءة هذا الدليل بالكامل قبل تفريغ محتويات العبوة أو إعداد هذا الجهاز أو تشغيله. انتبه جيدًا لجميع بيانات الخطر والتنبيه. فإن عدم الالتزام بذلك قد يؤدي إلى إصابة خطيرة تلحق بالمشغل أو تلف بالجهاز.

تأكد أن الحماية التي يوفرها هذا الجهاز لم تضعف. تجنب استخدام هذا الجهاز أو تركيبه بأية طريقة بخلاف الموضحة في هذا الدليل.

⚠️ خطر	
يشير إلى موقف خطير محتمل أو وشيك والذي إذا لم يتم تجنبه، فسوف يؤدي إلى الوفاة أو يتسبب في حدوث إصابة خطيرة.	
⚠️ تحذير	
يشير إلى موقف خطير محتمل أو وشيك والذي إذا لم يتم تجنبه، فسوف يؤدي إلى الوفاة أو يتسبب في حدوث إصابة خطيرة.	
⚠️ تنبيه	
يشير إلى موقف خطير محتمل يمكن أن يؤدي إلى إصابة طفيفة أو متوسطة.	
إشعار	
يشير إلى موقف، إذا لم يتم تجنبه، يمكن أن يؤدي إلى تلف الجهاز. معلومات تتطلب تأكيدًا خاصًا.	

الملصقات الوقائية

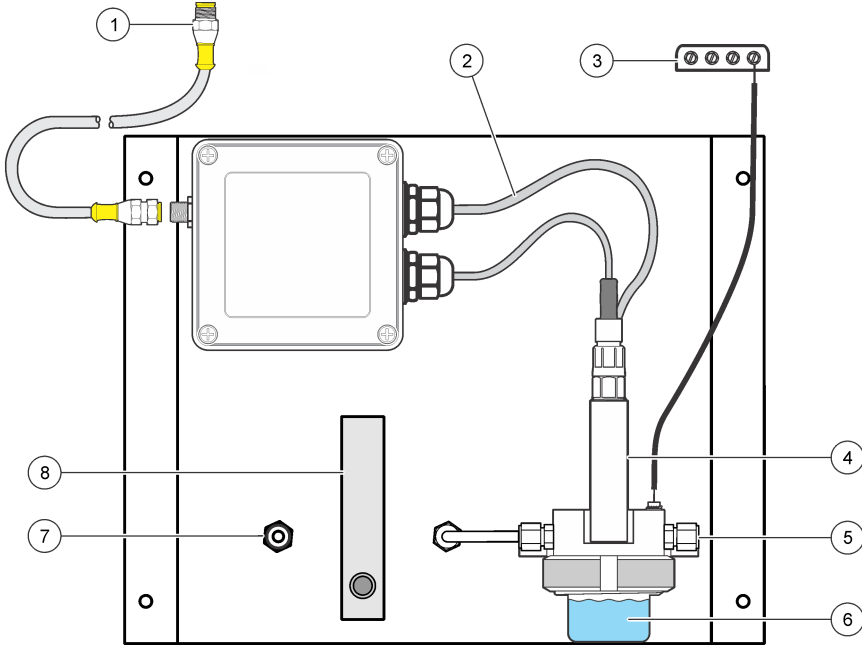
اقرأ جميع الملصقات والعلامات المرفقة بالجهاز. فمن الممكن أن تحدث إصابة شخصية أو يتعرض الجهاز للتلف في حالة عدم الانتباه لها. رمز، في حالة ملاحظته على الجهاز، يكون مصحوبًا ببيان خطر أو تحذير بهذا الدليل.

هذا الرمز إذا تمت ملاحظته على الجهاز، فإنه يشير إلى دليل الإرشادات لمعرفة معلومات التشغيل و/أو السلامة.	
لا يمكن التخلص من الأجهزة الكهربائية التي تحمل هذا الرمز في الأنظمة الأوروبية للتخلص من النفايات المحلية أو العامة. لكن يتم إرجاع الجهاز القديم أو منتهي الصلاحية إلى الشركة المصنعة للتخلص منه بدون أن يتحمل المستخدم أي رسوم.	
يشير هذا الرمز إلى أن العنصر المميز به قد يكون ساخنًا، وبالتالي يجب عدم ملامسته بدون حذر.	
يشير هذا الرمز إلى أن العنصر المميز به يتطلب توصيلًا مانعًا للتسرب الأرضي. إذا كان الجهاز غير مزود بقباس أرضي على السلك، ففصل مائع التسرب الأرضي بطرف موصل الحماية إذا لم تقدم مع المكونات على الحبل، وربط الأرض الإيجابية لهذه المحطة (يوفر مجموعة الحبل الولايات المتحدة الأرض).	

نظرة عامة على المنتج

⚠️ خطر	
خطر الانفجار. الجهاز غير معتمد للتركيب في المواقع الخطرة.	
⚠️ تحذير	
مخاطر الحروق. التزم ببروتوكولات التعامل الآمن أثناء التعامل مع مكونات العينات الساخنة.	

تعمل لوحة المياه عالية النقاء SC 8362 باستمرار على قياس درجة الحموضة أو ORP في تطبيقات المياه النقية. النظام مغلق تمامًا لمنع التلوث من ثاني أكسيد الكربون الموجود بالغلغل الجوي. تُستخدم ميزات التصميم العديدة لتوفير قياسات فورية لدرجة الحموضة/ORP بدرجة عالية من الدقة. تتصل اللوحة بالجزء الخارجي من وحدة التحكم للتشغيل. راجع الشكل 1.



1	موصل وحدة التحكم	5	مدخل العينة
2	جهاز استشعار درجة الحرارة	6	غرفة التدفق
3	التسرب الأرضي الواقي	7	موصل الصرف
4	القطب الكهربائي لدرجة الحموضة أو ORP	8	مقياس التدفق

مكونات المنتج

يتم تجميع اللوحة بالمصنع مع جميع المكونات المرفقة والموصلة.

التركيب

⚠️ ت ن ب ي ه

مخاطر متعددة. يجب عدم إجراء المهام الموضحة في هذا القسم من المستند إلا بواسطة الموظفين المؤهلين لذلك فقط.

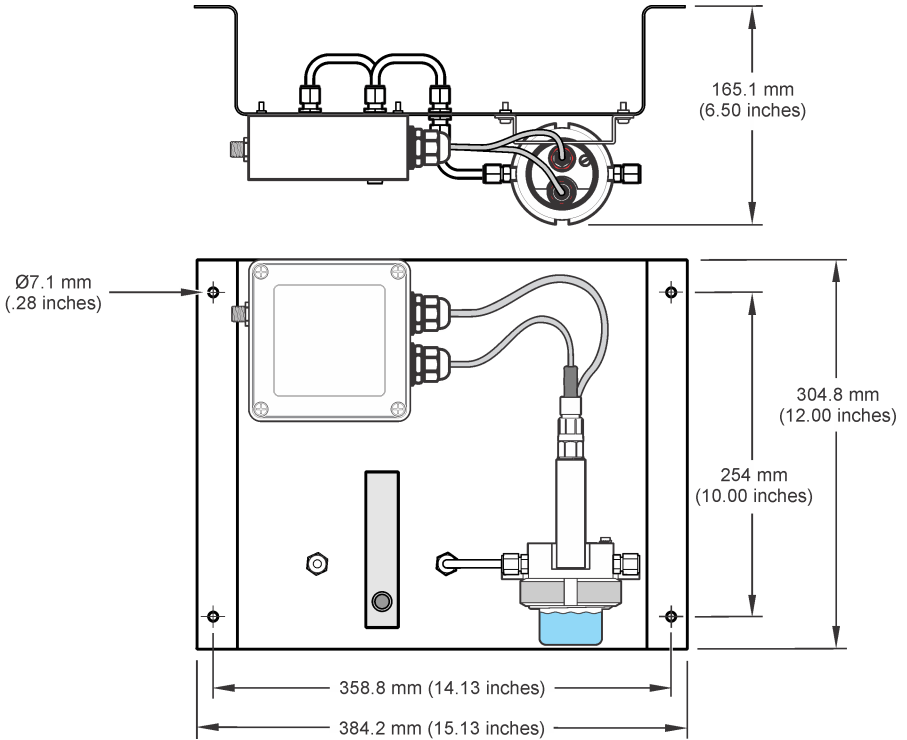


تركيب اللوحة على الحائط

رُكب اللوحة على الحائط عمودياً أو على بناية قادرة على تحمل 15 كجم (32 رطلاً) على الأقل مُحملة فوقها. استخدم مكاناً يستطيع مقياس التدفق وعلبة التوزيع الوصول إليه. راجع الشكل 2.

الأجهزة التي يوفرها المستخدم:

- أربعة مسامير مقاس 10 × 40 مم (7/16 × 1.5 بوصة)



ضخ العينة بخطوط الصرف.

بعد تركيب اللوحة على الحائط، قم بتوصيل العينة وخطوط الصرف بالتجهيزات الموجودة في الجزء الأمامي من اللوحة.

1. صل خط العينة بتركيبات أنابيب المدخل OD 1/4 بوصة.
2. صل خط الصرف بتركيبات أنابيب الصرف OD 1/4 بوصة. حافظ على خط الصرف قصيراً قدر الإمكان لمنع ارتداد الضغط. لا تعد تركيب خط الصرف داخل مجرى العينة الرئيسي.

التوصيل بوحد التحكم

تتصل اللوحة بالجزء الخارجي من وحدة التحكم للتشغيل. صل الكبل من وحدة التحكم إلى وصلة التوصيل السريع في علبة التوزيع.

توصيل طرف التسرب الأرضي الوقائي

قم بتوصيل السلك الأرضي الموجود أعلى غرفة التدفق بطرف التسرب الأرضي الوقائي للحفاظ على الضجيج الكهربائي في أدنى مستوياته. يجب أن تستخدم وحدة التحكم واللوحة نفس مصدر التسرب الأرضي الوقائي.

تحضير القطب الكهربائي

يجب غمس القطب الكهربائي في مياه المعالجة لمدة لا تقل عن 10 ساعات قبل الاستخدام. تأكد من معايرة القطب الكهربائي قبل التحضير.

1. أزل غرفة التدفق. راجع الشكل 3 في صفحة 106.
2. قم بإزالة الغطاء الواقعي من القطب الكهربائي. احتفظ بالغطاء الواقعي للاستخدام أثناء عملية التخزين طويلة الأمد. راجع التخزين في صفحة 109.

3. اغسل مصباح القطب الكهربائي بماء منزوع الأيونات أو منظم درجة الحموضة (بالنسبة للأقطاب الكهربائية لدرجة الحموضة) أو محلول ORP القياسي (بالنسبة للأقطاب الكهربائية لـ ORP).

4. قم بتركيب غرفة التدفق.

ضبط معدل التدفق

حافظ على معدل التدفق ما بين 100 و300 مللي لتر/دقيقة عند الحد الأقصى للضغط 4 بار (58 رطلاً). لا تترك غرفة التدفق فارغة.

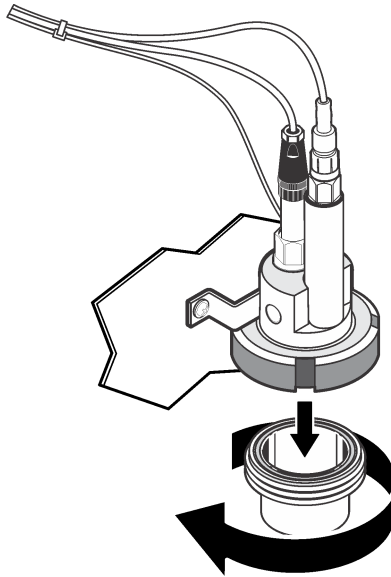
1. افتح الصمام الموجود أعلى خط العينة لتسمح بتدفق العينة عبر اللوحة.
2. قم بتشغيل المفتاح الموجود أعلى مقياس التدفق لضبط معدل التدفق إلى ما بين 100 و300 مللي لتر/دقيقة.
3. ابحث عن الفقاعات بغرفة التدفق. اضبط التدفق لإزالة الفقاعات.

معايرة القطب الكهربائي

مطلب أساسي: اغمس القطب الكهربائي في مياه المعالجة لمدة 10 ساعات على الأقل. استخدم أسلوب المعايرة على مرحلتين مع محلول منظم بدرجة حموضة 7 و 4 للحصول على أفضل النتائج.

1. أوقف تدفق العينة.
2. أزل غرفة التدفق. راجع الشكل 3.
3. اغسل غرفة التدفق والقطب الكهربائي بماء منزوع الأيونات.
4. أملأ غرفة التدفق بمنظم درجة حموضة 7.
5. قم بتركيب غرفة التدفق بمنظم درجة حموضة 7.
6. استخدم وحدة التحكم لمعايرة القطب الكهربائي. راجع إجراء معايرة درجة الحموضة في صفحة 107.
7. عندما تكتمل عملية المعايرة، قم بإزالة غرفة التدفق واغسلها بماء منزوع الأيونات. قم بتركيب غرفة التدفق.
8. افتح الصمام الموجود أعلى خط العينة واضبط معدل التدفق. راجع ضبط معدل التدفق في صفحة 106.
9. اترك تدفق العينة يتم عبر اللوحة لمدة ساعة واحدة على الأقل قبل المقارنة بجهاز آخر.

الشكل 3 أزل غرفة التدفق.



إجراء معايرة درجة الحموضة

يمكن معايرة أجهزة الاستشعار بالمحاليل المرجعية 1 أو 2 (معايرة من مرحلة واحدة أو معايرة من مرحلتين). يتم التعرف على المحاليل المنظمة القياسية تلقائيًا. تأكد من استخدام ضبط المحلول المنظم الصحيح (راجع تغيير خيارات المعايرة في صفحة 108).

1. ضع جهاز الاستشعار في المحلول المرجعي الأول.
2. انتظر حتى تتعادل درجة حرارة جهاز الاستشعار مع درجة حرارة المحلول. من الممكن أن يستغرق ذلك 30 دقيقة أو أكثر إذا كان الفرق في درجة الحرارة بين المعالجة والمحلول المرجعي كبيرًا.
3. اضغط على مفتاح **MENU القائمة** واختر **Sensor Setup** (إعدادات جهاز الاستشعار)، **[Select Sensor]** (إحدد جهاز الاستشعار)، **Calibrate** (معايرة).
4. حدد نوع المعايرة:

خيار	وصف
محلول منظم من مرحلتين	استخدم محلولين منظمين للمعايرة، على سبيل المثال درجة الحموضة 7 ودرجة الحموضة 4 (الطريقة التي يُنصح بها). يجب أن تأتي المحاليل المنظمة من ضبط المحلول المنظم المحدد بقائمة Cal Options (خيارات المعايرة) (راجع تغيير خيارات المعايرة في صفحة 108).
محلول منظم من مرحلة واحدة	استخدم محلولاً منظمًا من مرحلة واحدة للمعايرة، على سبيل المثال درجة الحموضة 7. يجب أن يأتي المحلول المنظم من ضبط المحلول المنظم المحدد بقائمة Cal Options (خيارات المعايرة).
عينة من مرحلتين	استخدم عيّنتين أو محلولين منظمين ذوي قيمة درجة حموضة معروفة للمعايرة. حدد قيمة درجة حموضة العينات بجهاز مختلف.
عينة من مرحلة واحدة	استخدم عينة واحدة أو محلولًا منظمًا واحدًا للمعايرة. حدد قيمة درجة حموضة العينات بجهاز مختلف.

5. إذا تم تمكين رمز المرور في قائمة الحماية بوحدة التحكم، فأدخل رمز المرور.
6. حدد الخيار لإشارة المخرجات أثناء عملية المعايرة:

خيار	وصف
Active (نشط)	يرسل الجهاز قيمة المخرجات المقيسة الحالية أثناء إجراء عملية المعايرة.
Hold (معلق)	يتم الاحتفاظ بقيمة مخرجات جهاز الاستشعار عند القيمة المقيسة الحالية أثناء إجراء عملية المعايرة.
Transfer (نقل)	يتم إرسال قيمة المخرجات المضبوطة مسبقًا أثناء إجراء عملية المعايرة. راجع دليل مستخدم وحدة التحكم لتغيير القيمة المضبوطة مسبقًا.

7. أثناء وجود جهاز الاستشعار بالمحلول المرجعي الأول، اضغط على **ENTER**.
8. يتم عرض القيمة المقيسة. انتظر حتى تستقر القيمة ثم اضغط على **ENTER**.
9. **ملاحظة:** قد تنتقل الشاشة إلى الخطوة التالية تلقائيًا. إذا كان المحلول المرجعي عبارة عن عينة، فقم بقياس قيمة درجة الحموضة باستخدام جهاز تحقق ثانوي. استخدم مفاتيح الأسهم لتحديد أحد الخيارات ثم اضغط على **ENTER**.
10. **ملاحظة:** إذا لم يكن محلول منظم درجة الحموضة مدرجًا بقائمة **Cal Options** (خيارات المعايرة) المستخدمة، فراجع زجاجة المحلول المنظم لإيجاد قيمة درجة الحموضة التي تتوافق مع درجة حرارة المحلول المنظم. بالنسبة للمعايرة من مرحلتين، قم بقياس المحلول المرجعي الثاني (أو العينة):

- a. أخرج جهاز الاستشعار من المحلول الأول واغسله بالماء النظيف.
- b. ضع جهاز الاستشعار في المحلول المرجعي التالي ثم اضغط على **ENTER**.
- c. انتظر حتى تستقر القيمة. اضغط على **ENTER**.

ملاحظة: قد تنتقل الشاشة إلى الخطوة التالية تلقائيًا.

- d. إذا كان المحلول المرجعي عبارة عن عينة، فقم بقياس قيمة درجة الحموضة باستخدام جهاز تحقق ثانوي. استخدم مفاتيح الأسهم لتحديد أحد الخيارات ثم اضغط على **ENTER**.
11. راجع نتائج المعايرة:

• **Passed (نجاح)** — تمت معايرة جهاز الاستشعار وسيكون جاهزًا لقياس العينات. يتم عرض قيم الميل و/أو الانحراف.

• **Failed (فشل)** — يكون ميل أو انحراف المعايرة خارج الحدود المقبولة. كرر عملية المعايرة باستخدام محلول مرجعي جديد.

12. إذا نجحت عملية المعايرة، فاضغط على **ENTER** للاستمرار.

13. إذا تم ضبط خيار هوية المشغل على **Yes** (نعم) بقائمة **Calibration Options** (خيارات المعايرة)، فأدخل هوية المشغل. راجع تغيير خيارات المعايرة في صفحة 108.

14. على شاشة New Sensor (جهاز استشعار جديد)، حدد إذا ما كان جهاز الاستشعار جديدًا.

الخيار وصف

Yes (نعم) لم تتم معايرة جهاز الاستشعار من قبل باستخدام وحدة التحكم هذه. تتم إعادة ضبط أيام التشغيل ومنحنيات المعايرة السابقة لجهاز الاستشعار.

No (لا) لم تتم معايرة جهاز الاستشعار من قبل باستخدام وحدة التحكم هذه.

15. أعد جهاز الاستشعار إلى العملية، ثم اضغط على **ENTER**. ستعود إشارة المخرجات إلى الحالة النشطة وسيتم عرض قيمة العينة المقيسة على شاشة القياس. **ملاحظة:** إذا كان ضبط حالة المخرجات هو **hold** (معلق) أو **transfer** (نقل)، فحدد وقت التأخير عندما تعود المخرجات إلى الحالة النشطة.

تغيير خيارات المعايرة

يمكن للمستخدم ضبط أداة تذكير أو تضمين هوية المشغل مع بيانات المعايرة من قائمة **CAL OPTIONS** (خيارات المعايرة).

1. اضغط على مفتاح **MENU** (القائمة) واختر **Sensor Setup** (إعدادات جهاز الاستشعار)، **[Select Sensor]** (حدد جهاز الاستشعار)، **Calibrate** (معايرة)، **Cal Options** (خيارات المعايرة).
2. استخدم مفاتيح الأسهم لتحديد أحد الخيارات ثم اضغط على **ENTER**.

الخيار الوصف

SELECT BUFFER (تحديد المحلول المنظم)	بالنسبة لأجهزة استشعار درجة الحموضة فقط — قم بتغيير ضبط المحاليل المنظمة المعروفة لعملية المعايرة إلى درجات الحموضة 4.00، 7.00، 10.00 (الإعداد الافتراضي) أو وفقًا لمواصفات DIN 19267 (درجات الحموضة 1.09، 4.65، 6.79، 9.23، 12.75) ملاحظة: يمكن استخدام المحاليل المنظمة الأخرى عند اختيار عينة المرحلة الأولى أو المرحلة الثانية أثناء عملية المعايرة.
CAL REMINDER (أداة تذكير المعايرة)	اضبط أداة تذكير للمعايرة التالية بالأيام، أو الشهور أو الأعوام — Off (إيقاف) (الافتراضي)، يوم واحد أو 7 أيام أو 30 أو 60 أو 90 يومًا و 6 و 9 شهور و عام أو عامان
OP ID on CAL (هوية المشغل في عملية المعايرة)	تضمنين هوية المشغل مع بيانات المعايرة — Yes (نعم) أو No (لا) (الإعداد الافتراضي). يتم إدخال الهوية أثناء عملية المعايرة.

الصيانة

⚠ تنبيه

مخاطر متعددة. يجب عدم إجراء المهام الموضحة في هذا القسم من المستند إلا بواسطة الموظفين المؤهلين لذلك فقط.



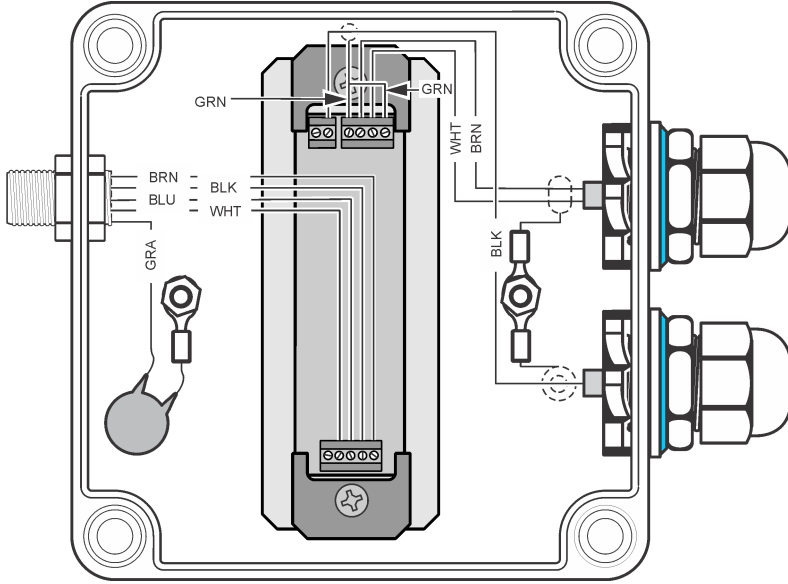
تنظيف الجهاز

نظف الجزء الخارجي من الجهاز بقطعة قماش رطبة ومحلول صابون معتدل ثم قم بتجفيف الجهاز.

تنظيف القطب الكهربائي

نظف القطب الكهربائي بعناية كل شهر بقطعة قماش ناعمة وغير كاشطة.

الشكل 4 أسلاك صندوق التوزيع



الجدول 1 مواصفات الأسلاك

المجس	السلك	الوصف
القطب الكهربائي لدرجة الحموضة أو ORP	أسود - السلك (المركز) الصلب	قياس درجة الحموضة أو ORP
القطب الكهربائي لدرجة الحموضة أو ORP	أخضر - العزل الداخلي النحاسي	المرجع
القطب الكهربائي لدرجة الحموضة أو ORP	أخضر - العزل الخارجي النحاسي	التسرب الأرضي الواقي
جهاز استشعار درجة الحرارة	بني وأبيض	Pt100

التخزين

إذا أردت إزالة النظام من العملية لفترة من الوقت، فاحتفظ بالقطب الكهربائي في محلول التخزين.


1. املا الغطاء الواقي بمادة 3 M KCl.
2. قم بتثبيت الغطاء الواقي على مصباح القطب الكهربائي.

استكشاف الأخطاء وإصلاحها

المشكلة	السبب المحتمل	الحل
المعايرة غير مقبولة.	يوجد عيب بالقطب الكهربائي الخاص بالقياس أو القطب الكهربائي المرجعي.	استبدل القطب الكهربائي المعيب.
	توجد مشكلة بسلك وحدة التحكم.	افحص الأسلاك من القطب الكهربائي حتى وحدة التحكم. تأكد من وجود توصيل جيد بالأسلاك المعدنية.
	وحدة التحكم معيبة.	استبدل وحدة التحكم.

المشكلة	السبب المحتمل	الحل
القراءات غير منتظمة.	تم اكتشاف فقاعة هوائية عند طرف القطب الكهربائي.	اضبط موضع القطب الكهربائي حتى لا يتم اكتشاف الفقاعات الهوائية أسفل القطب الكهربائي.
	لا يشتمل القطب الكهربائي على توصيل أرضي جيد.	راجع توصيل طرف التسرب الأرضي الوقائي في صفحة 105.
	المصباح الزجاجي معيب.	استبدل القطب الكهربائي.
	يوجد تداخل من جهد التدفق.	صل التسرب الأرضي الواقى بالمحلول القريب من القطب الكهربائي. الموصل الأرضي للمحلول هو العنصر الأكثر أهمية في المياه عالية النقاء.
الاستجابة بطيئة.	العينة باردة و/أو ذات قوة أيونية منخفضة.	قم بزيادة درجة حرارة العينة.
قراءة درجة الحموضة تتغير باستمرار.	لم يتم تحضير القطب الكهربائي بصورة كافية.	اغمس قطبًا كهربائيًا جديدًا في عينة المعالجة لمدة 10 ساعات على الأقل، ثم قم بمعايرة القطب الكهربائي.

قطع الغيار والملحقات

⚠ تحذير	
<p>خطر الإصابة الشخصية. قد يؤدي استخدام الأجزاء غير المعتمدة إلى الإصابة الشخصية أو تلف الجهاز أو قصور في تشغيله. قطع الغيار الواردة في هذا القسم هي قطع معتمدة من الشركة المصنعة.</p>	

ملاحظة: تختلف أرقام المنتج والبيو حسب بعض مناطق البيع. اتصل بالمواع المناسب أو راجع موقع الشركة على الويب لمعرفة ححة الاتصال.

محايل المعايرة

الوصف	الكمية	رقم العنصر
محلول درجة الحموضة 4، NIST	500 مللي لتر	2283449
محلول درجة الحموضة 7، NIST	500 مللي لتر	2283549
محلول درجة الحموضة 10، NIST	500 مللي لتر	2283649
محلول ORP المرجعي، 200 مللي فولت	500 مللي لتر	25M2A1001-115
محلول ORP المرجعي، 600 مللي فولت	500 مللي لتر	25M2A1002-115

قطع الغيار

الوصف	رقم العنصر
تركيبات، ¼ 1/8 NPT، OD، موصل ذكر	6178800
تركيبات، ¼ ¼ NPT، OD، وصل الحاجز	6178600
مقياس التدفق	4598700
القطب الكهربائي لـ ORP	A=2111=08362
القطب الكهربائي لدرجة الحموضة	A=2000=08362
كبل القطب الكهربائي لدرجة الحموضة/3، ORP م	359016,10110
كبل Pt100، 3 م	A=3001=08362
جهاز استشعار درجة الحرارة Pt100	A=1001=08362
أنبوب، الخلف	6178700
أنبوب، الأمام	6178900
موصلات الأنابيب، 1/8 NPT بوصة، 2 لكل منها	A=4000=08362

رقم العنصر	الوصف
6122400	كيل امتداد وحدة التحكم، 1 م (3.2 أقدام)
57960-00	كيل امتداد وحدة التحكم، 7.6 م (25 قدمًا)
5796100	كيل امتداد وحدة التحكم، 15.2 م (50 قدمًا)
57962-00	كيل امتداد وحدة التحكم، 30.5 م (100 قدم)



HACH COMPANY World Headquarters

P.O. Box 389, Loveland, CO 80539-0389 U.S.A.
Tel. (970) 669-3050
(800) 227-4224 (U.S.A. only)
Fax (970) 669-2932
orders@hach.com
www.hach.com

HACH LANGE GMBH

Willstätterstraße 11
D-40549 Düsseldorf, Germany
Tel. +49 (0) 2 11 52 88-320
Fax +49 (0) 2 11 52 88-210
info-de@hach.com
www.de.hach.com

HACH LANGE Sàrl

6, route de Compois
1222 Vézenaz
SWITZERLAND
Tel. +41 22 594 6400
Fax +41 22 594 6499